



US00D940874S

(12) **United States Design Patent**  
**Edwards**

(10) **Patent No.:** **US D940,874 S**

(45) **Date of Patent:** **\*\* Jan. 11, 2022**

(54) **EYE SHIELD**

(71) Applicant: **Kendrick J. Edwards**, Fort Lauderdale, FL (US)

(72) Inventor: **Kendrick J. Edwards**, Fort Lauderdale, FL (US)

(\*\*) Term: **15 Years**

(21) Appl. No.: **29/709,796**

(22) Filed: **Oct. 17, 2019**

(51) **LOC (13) Cl.** ..... **24-02**

(52) **U.S. Cl.**  
USPC ..... **D24/172**

(58) **Field of Classification Search**  
USPC .... D24/110, 110.2, 115, 120, 164, 172, 189, D24/190, 215; D16/101, 300, 301, 309, D16/310, 312, 314, 315; D29/108, 109, D29/110, 122  
CPC .. A61F 9/04; A61F 9/026; A61F 9/022; A61F 9/028  
See application file for complete search history.

(56) **References Cited**

U.S. PATENT DOCUMENTS

- D32,565 S \* 4/1900 Hooper ..... D24/191
- D127,373 S \* 5/1941 Johnson ..... D16/312
- 2,243,982 A \* 6/1941 Seeley ..... A61F 9/04
- 2,799,862 A \* 7/1957 Rowe ..... A61F 9/028
- D210,181 S \* 2/1968 Solomon ..... D28/44.2
- 3,774,239 A 11/1973 Kotzar
- 4,122,847 A \* 10/1978 Craig ..... A61F 9/026
- D266,795 S \* 11/1982 Gronborg ..... D29/109
- 4,527,565 A \* 7/1985 Ellis ..... A61F 7/10
- D294,650 S \* 3/1988 De Beys ..... D2/706
- D310,377 S \* 9/1990 Wang-Lee ..... D16/101
- 5,163,185 A 11/1992 Hodnett

- D351,850 S \* 10/1994 Bolle ..... D16/304
- D355,033 S \* 1/1995 Lee ..... D24/190
- 6,006,366 A 12/1999 Vondrak
- D434,787 S \* 12/2000 Spilkin ..... D16/300
- 6,170,952 B1 1/2001 La Haye et al.
- D489,449 S \* 5/2004 Conlan ..... D24/110.2
- 7,204,589 B2 4/2007 Pieterman

(Continued)

FOREIGN PATENT DOCUMENTS

- CN 305083769 \* 3/2019
- CN 305257646 \* 7/2019

OTHER PUBLICATIONS

[SLEEPS Faded Football Helmet Eye-Shield Visor], Amazon.com, Date First Available: Apr. 16, 2019 [online], Customer Review Oldest Date: Dec. 25, 2019 [online], site visited: [Oct. 26, 2021], URL: <<https://www.amazon.com/dp/B07S64TYCC?th=1>>. (Year: 2019).\*

*Primary Examiner* — T Chase Nelson  
*Assistant Examiner* — Amanda J Berlinski  
(74) *Attorney, Agent, or Firm* — Cramer Patent & Design, PLLC; Aaron R. Cramer

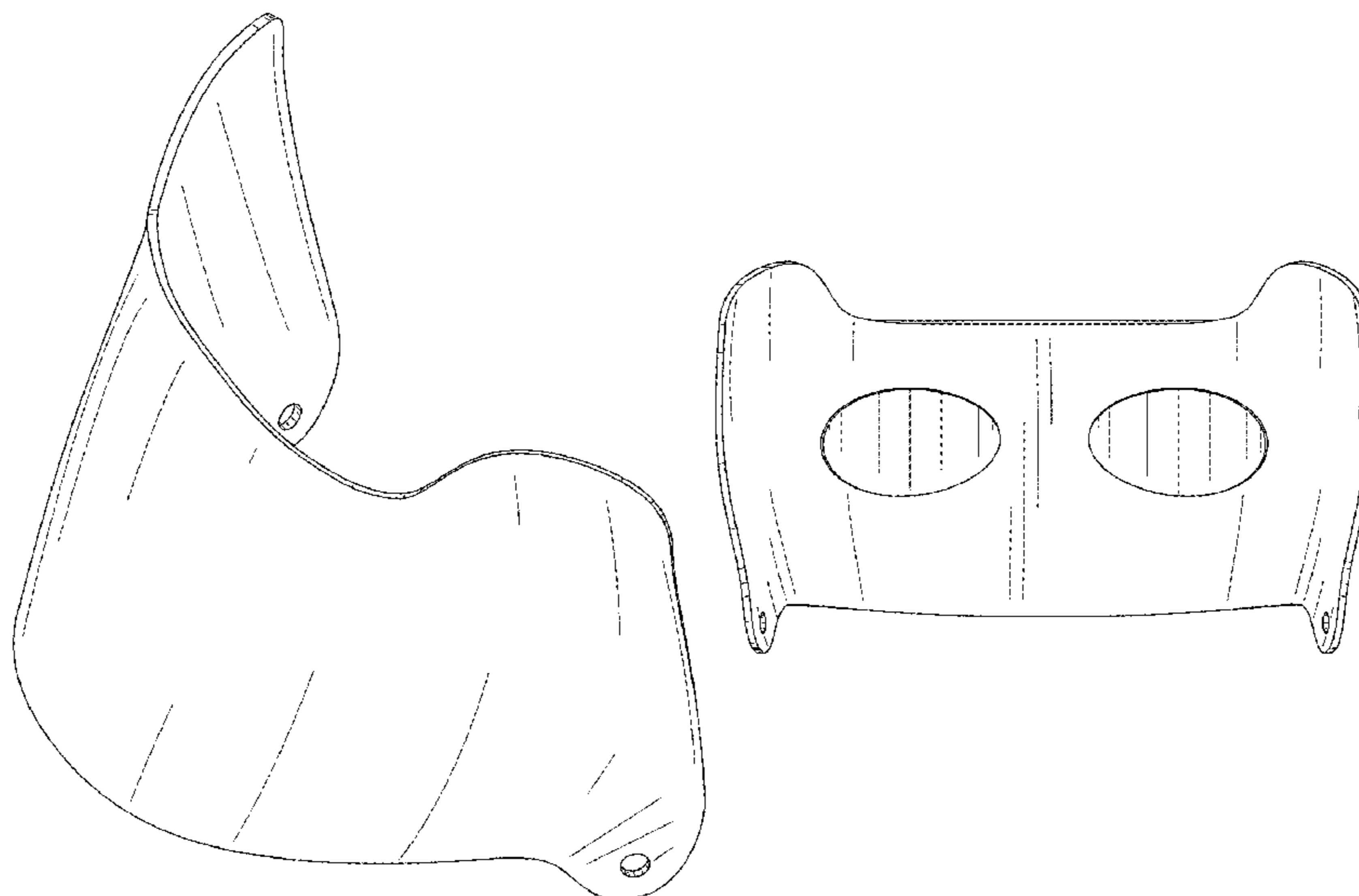
(57) **CLAIM**

The ornamental design for an eye shield, as shown and described.

**DESCRIPTION**

FIG. 1 is a perspective top front right view of an eye shield, showing my new design;  
FIG. 2 is a perspective top rear left view thereof;  
FIG. 3 is a rear elevation view thereof;  
FIG. 4 is a front elevation view thereof;  
FIG. 5 is a right elevation view thereof;  
FIG. 6 is a left elevation view thereof;  
FIG. 7 is a top plan view thereof; and,  
FIG. 8 is a bottom plan view thereof.

**1 Claim, 6 Drawing Sheets**



(56)

## References Cited

## U.S. PATENT DOCUMENTS

7,395,554 B2 \* 7/2008 Kitayama ..... A61F 7/02  
128/206.23  
7,798,635 B1 9/2010 Shindler  
D625,349 S \* 10/2010 Aryan ..... D16/301  
D627,108 S \* 11/2010 Blauer ..... D29/110  
D683,845 S \* 6/2013 Abel ..... D24/110  
9,229,246 B2 1/2016 Yi et al.  
9,788,592 B2 10/2017 Cheng et al.  
10,021,954 B2 \* 7/2018 Wardaszka ..... A61F 9/04  
D857,305 S \* 8/2019 Nimura ..... D29/122  
D884,913 S \* 5/2020 Peng ..... D24/215  
D890,248 S \* 7/2020 Jordanov ..... D16/330  
D895,830 S \* 9/2020 Nakamura ..... D24/215  
D903,139 S \* 11/2020 Liang ..... D24/215  
D907,778 S \* 1/2021 Ekonomi ..... D24/172  
D908,283 S \* 1/2021 Liu ..... D28/10  
D911,542 S \* 2/2021 Zhang ..... D24/215  
D917,594 S \* 4/2021 Bastman ..... D16/135  
D928,335 S \* 8/2021 Ma ..... D24/215  
2006/0203187 A1 9/2006 Pieterman  
2009/0287283 A1 \* 11/2009 Biser ..... A61F 7/02  
607/109  
2014/0176898 A1 6/2014 Yi et al.

\* cited by examiner



FIG. 1

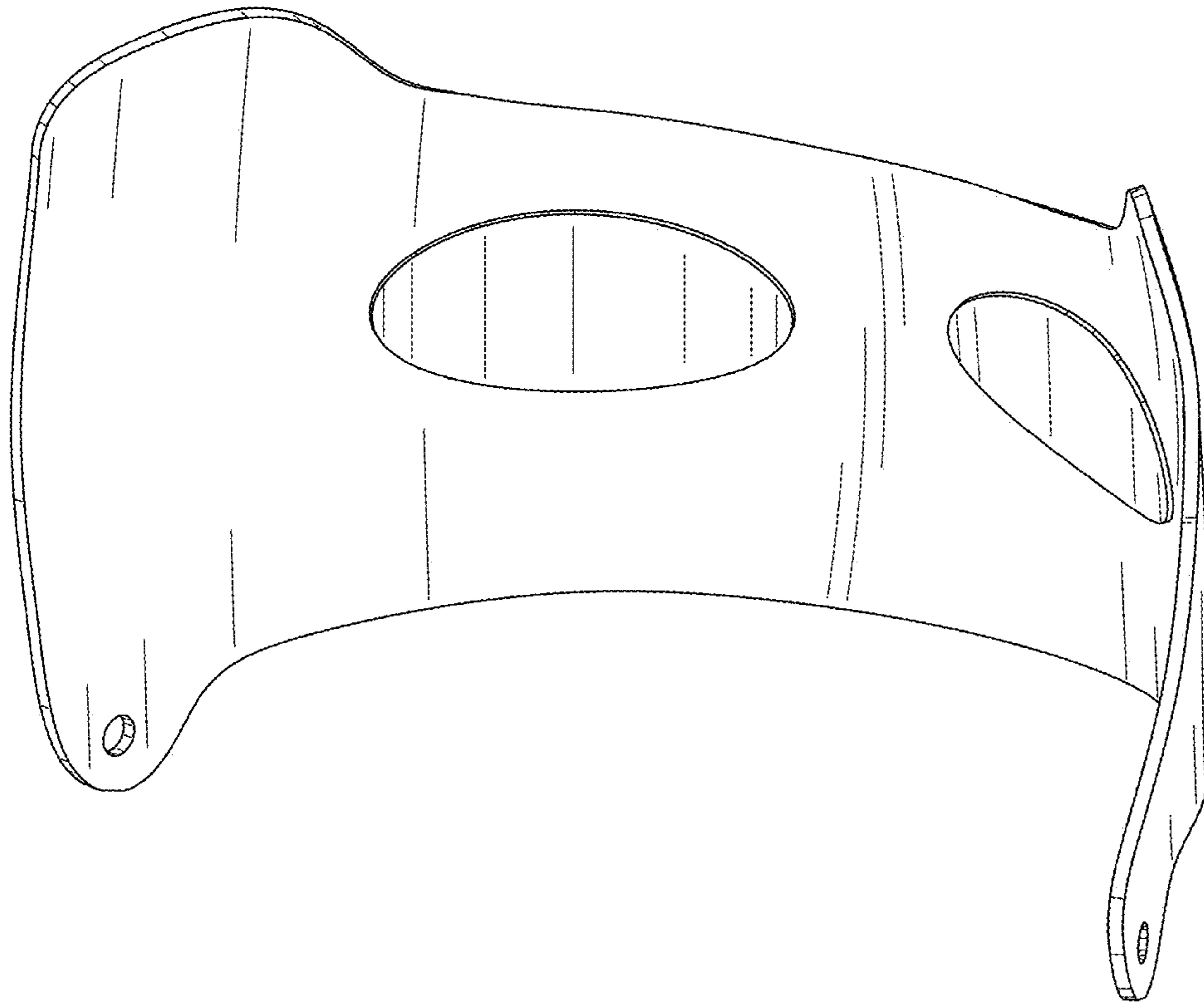


FIG. 2

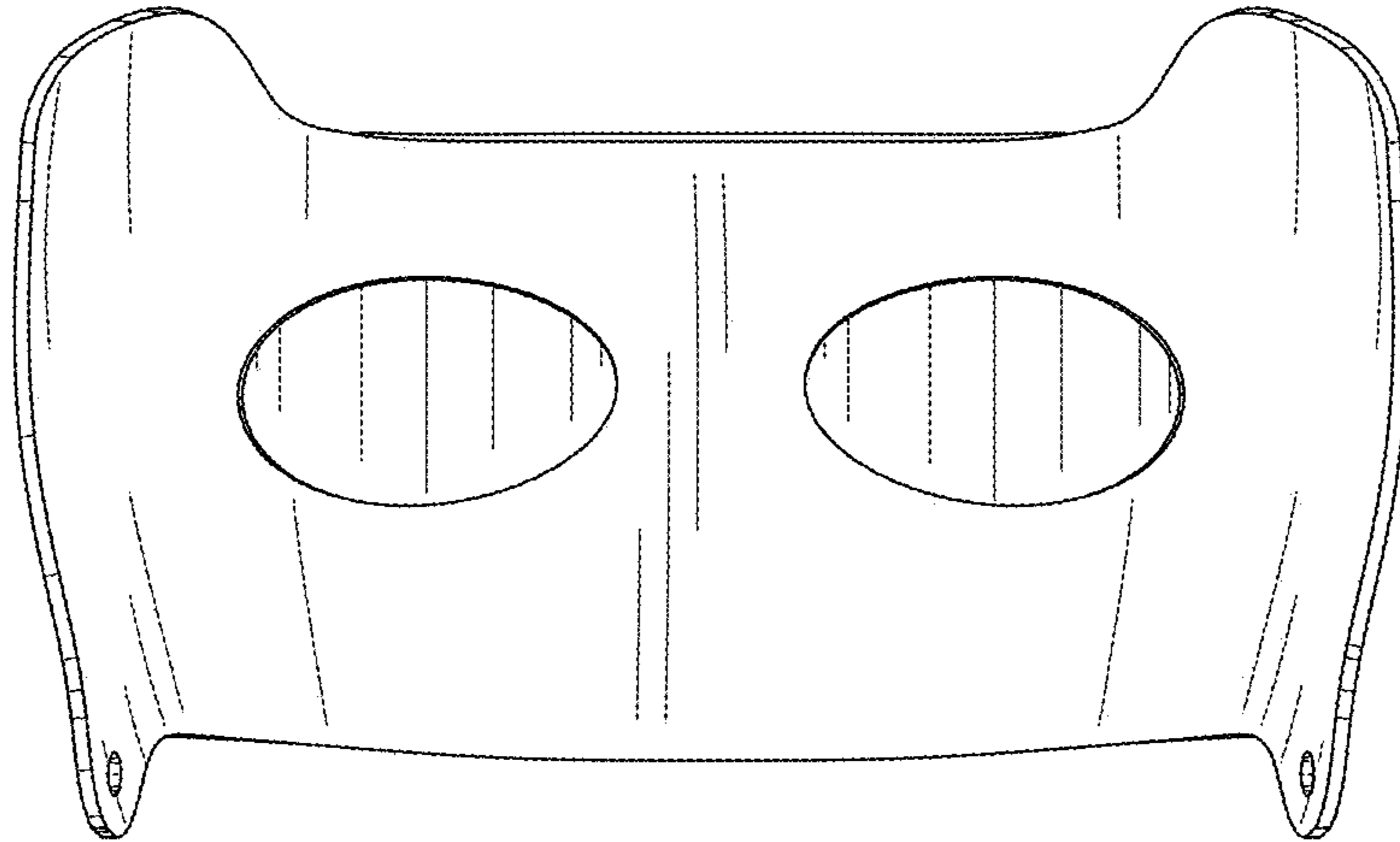


FIG. 3

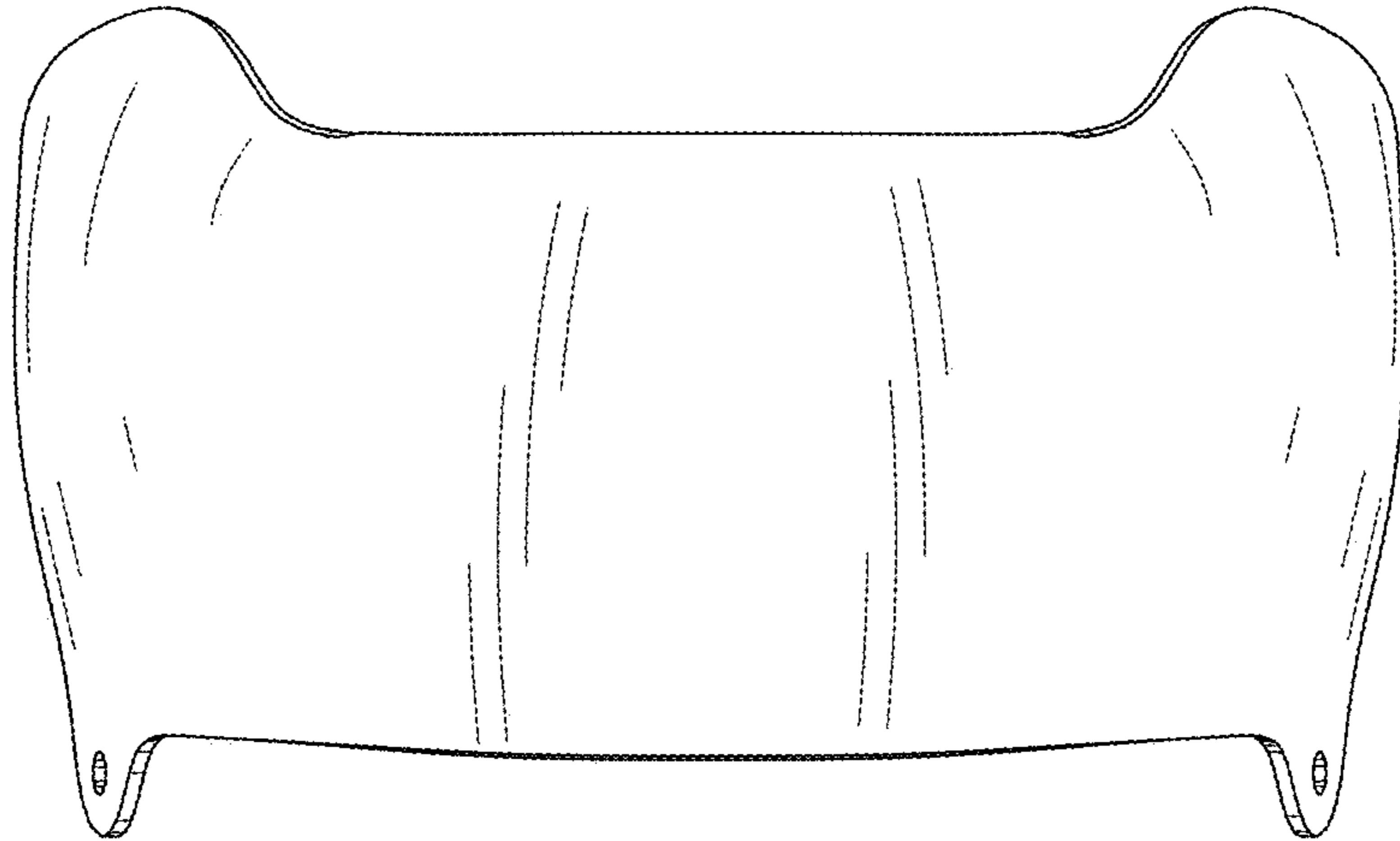


FIG. 4

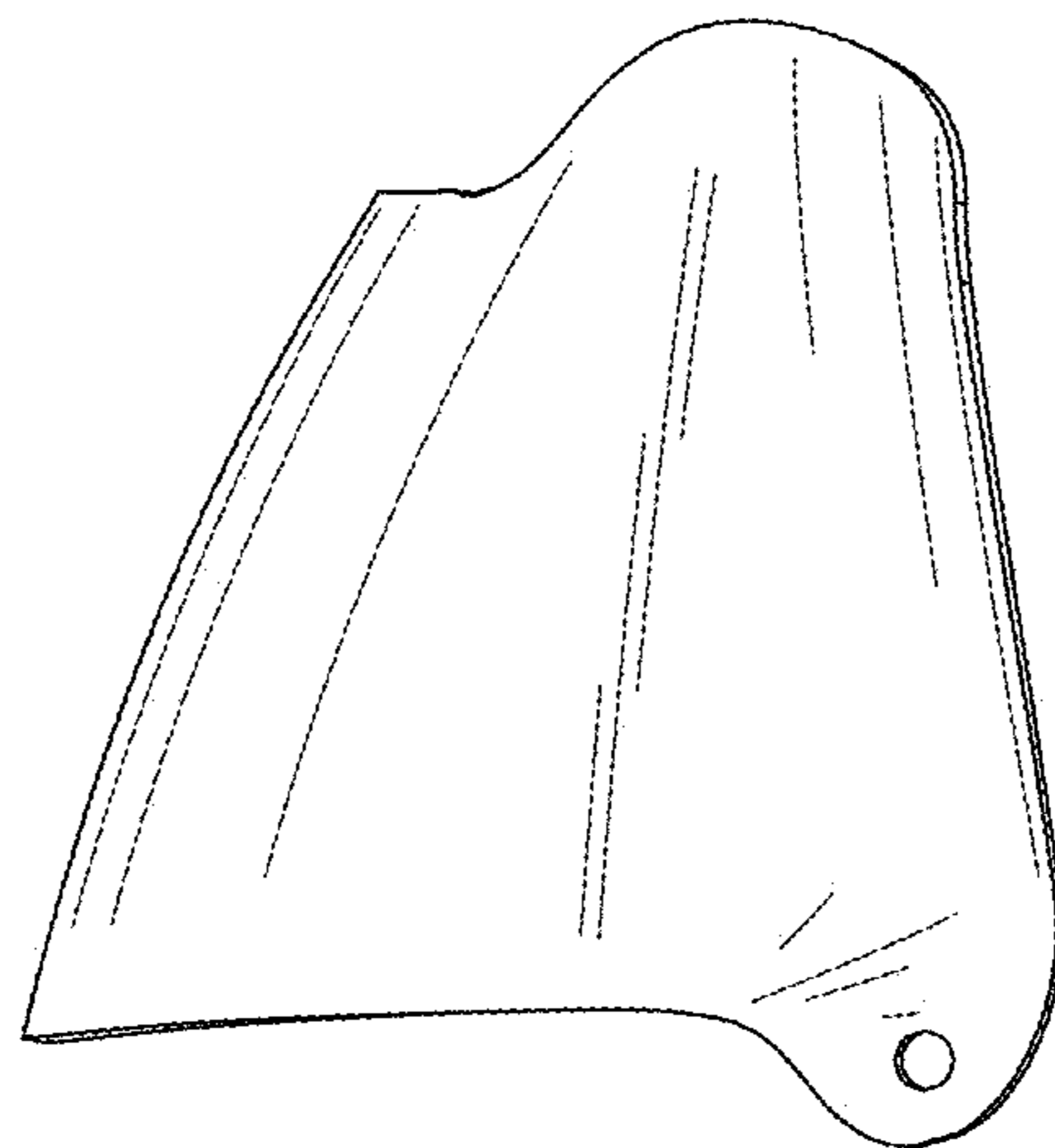


FIG. 5

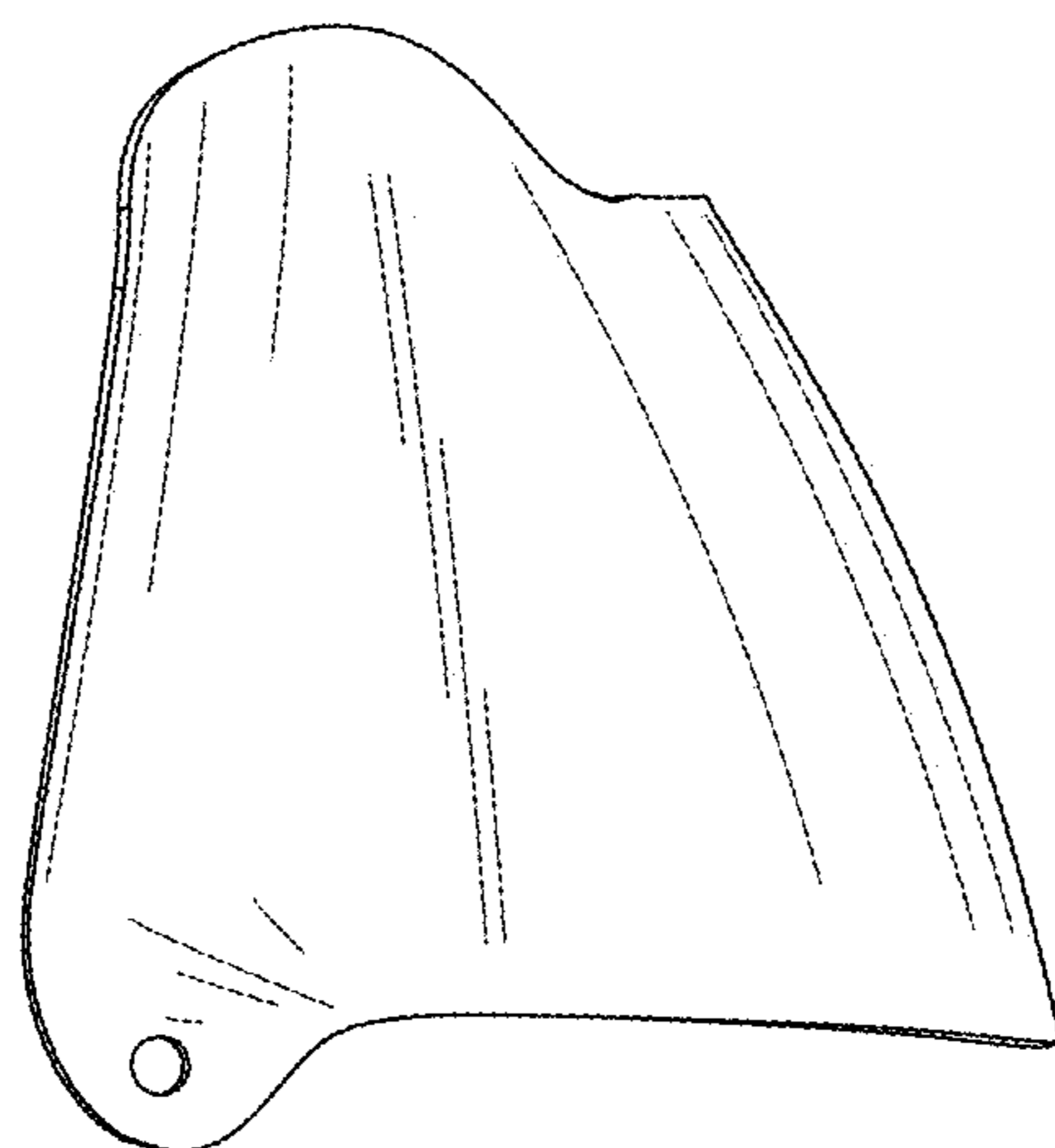


FIG. 6

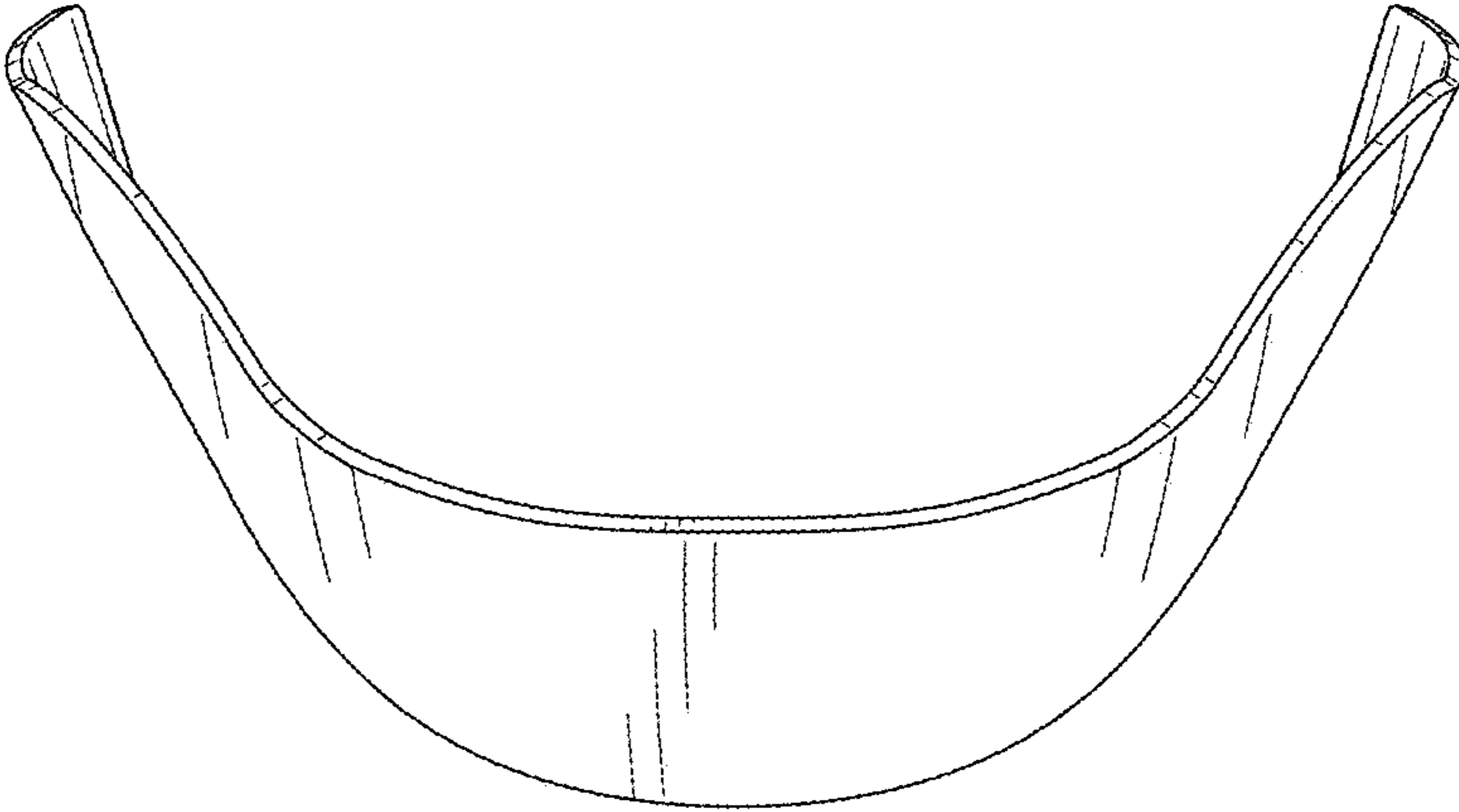


FIG. 7

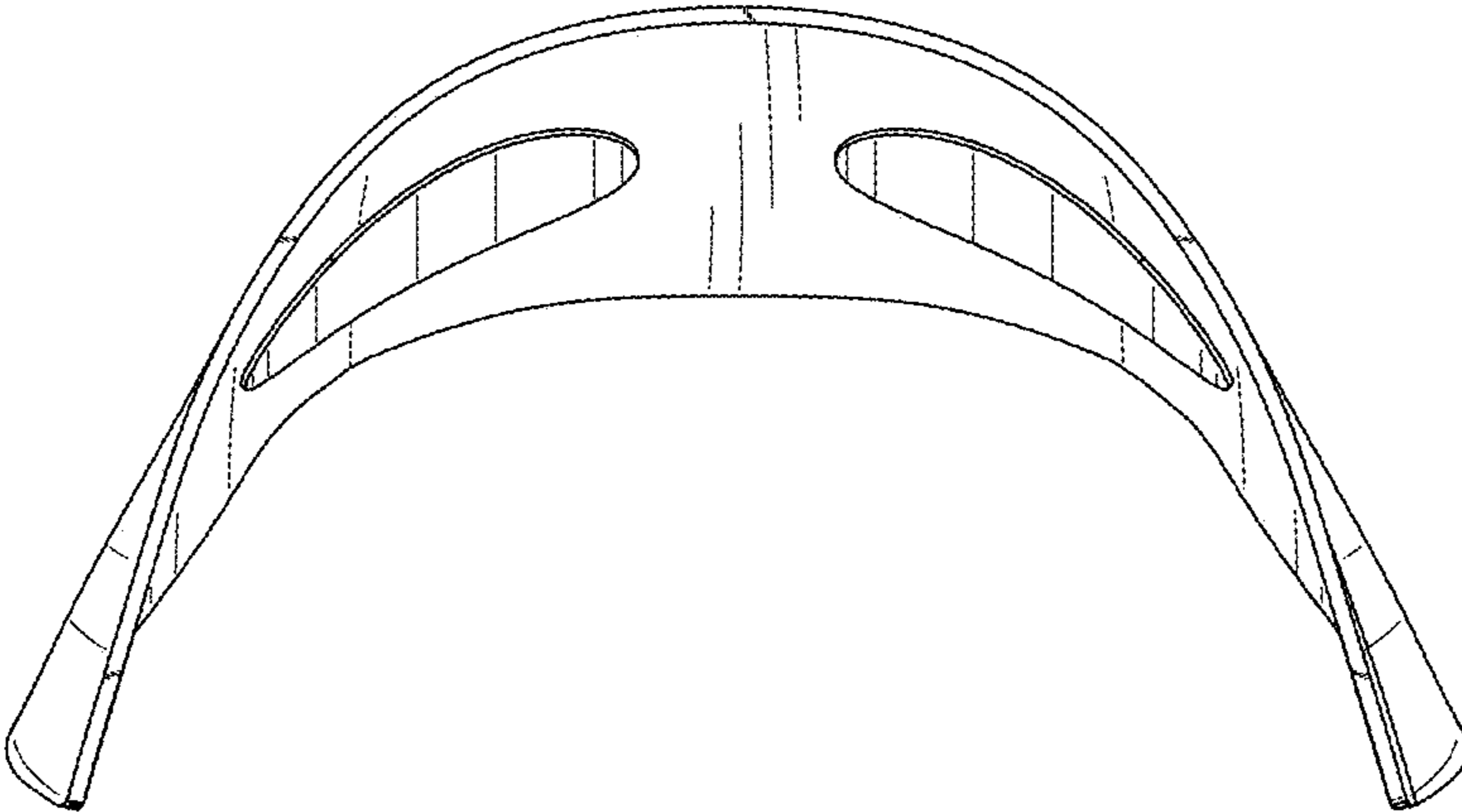


FIG. 8