

US00D940871S

(12) **United States Design Patent**
Lam et al.

(10) **Patent No.:** **US D940,871 S**
(45) **Date of Patent:** **** Jan. 11, 2022**

(54) **ELECTROCARDIOGRAM RECORDER AND CHARGING STAND IN COMBINATION**

(71) Applicant: **Quanta Computer Inc.**, Taoyuan (TW)

(72) Inventors: **Barry Lam**, Taoyuan (TW);
Chia-Yuan Chang, Taoyuan (TW);
Jung-Wen Chang, Taoyuan (TW);
Juan-Jung Li, Taoyuan (TW)

(73) Assignee: **QUANTA COMPUTER INC.**,
Taoyuan (TW)

(**) Term: **15 Years**

(21) Appl. No.: **29/739,952**

(22) Filed: **Jun. 30, 2020**

(30) **Foreign Application Priority Data**

Mar. 9, 2020 (TW) 109301150

(51) **LOC (13) Cl.** **24-02**

(52) **U.S. Cl.**
USPC **D24/167**

(58) **Field of Classification Search**
USPC D24/107, 164-167, 186, 187, 134;
D10/75; D13/107, 108

(Continued)

(56) **References Cited**

U.S. PATENT DOCUMENTS

D872,078 S * 1/2020 Wu D14/358

D890,347 S * 7/2020 Chang D24/167

(Continued)

FOREIGN PATENT DOCUMENTS

JP 1649612 S 1/2020

OTHER PUBLICATIONS

Japanese Office Action dated Oct. 22, 2020, issued in application No. 2018-015965.

(Continued)

Primary Examiner — Anhdao Doan
(74) *Attorney, Agent, or Firm* — McClure, Qualey & Rodack, LLP

(57) **CLAIM**

The ornamental design for an electrocardiogram recorder and charging stand in combination, as shown and described.

DESCRIPTION

FIG. 1 is a front perspective view of an electrocardiogram recorder and charging stand in combination showing our new design;

FIG. 2 is a front perspective view of the electrocardiogram recorder.

FIG. 3 is a front view of the electrocardiogram recorder;

FIG. 4 is a rear view of the electrocardiogram recorder;

FIG. 5 is a left side view of the electrocardiogram recorder;

FIG. 6 is a right side view of the electrocardiogram recorder;

FIG. 7 is a top plan view of the electrocardiogram recorder;

FIG. 8 is a bottom plan view of the electrocardiogram recorder, wherein the broken lines and the unshaded surfaces in FIG. 8 illustrate portions of the electrocardiogram recorder and charging stand in combination that form no part of the claimed design;

FIG. 9 is a front perspective view of the charging stand;

FIG. 10 is a front view of the charging stand;

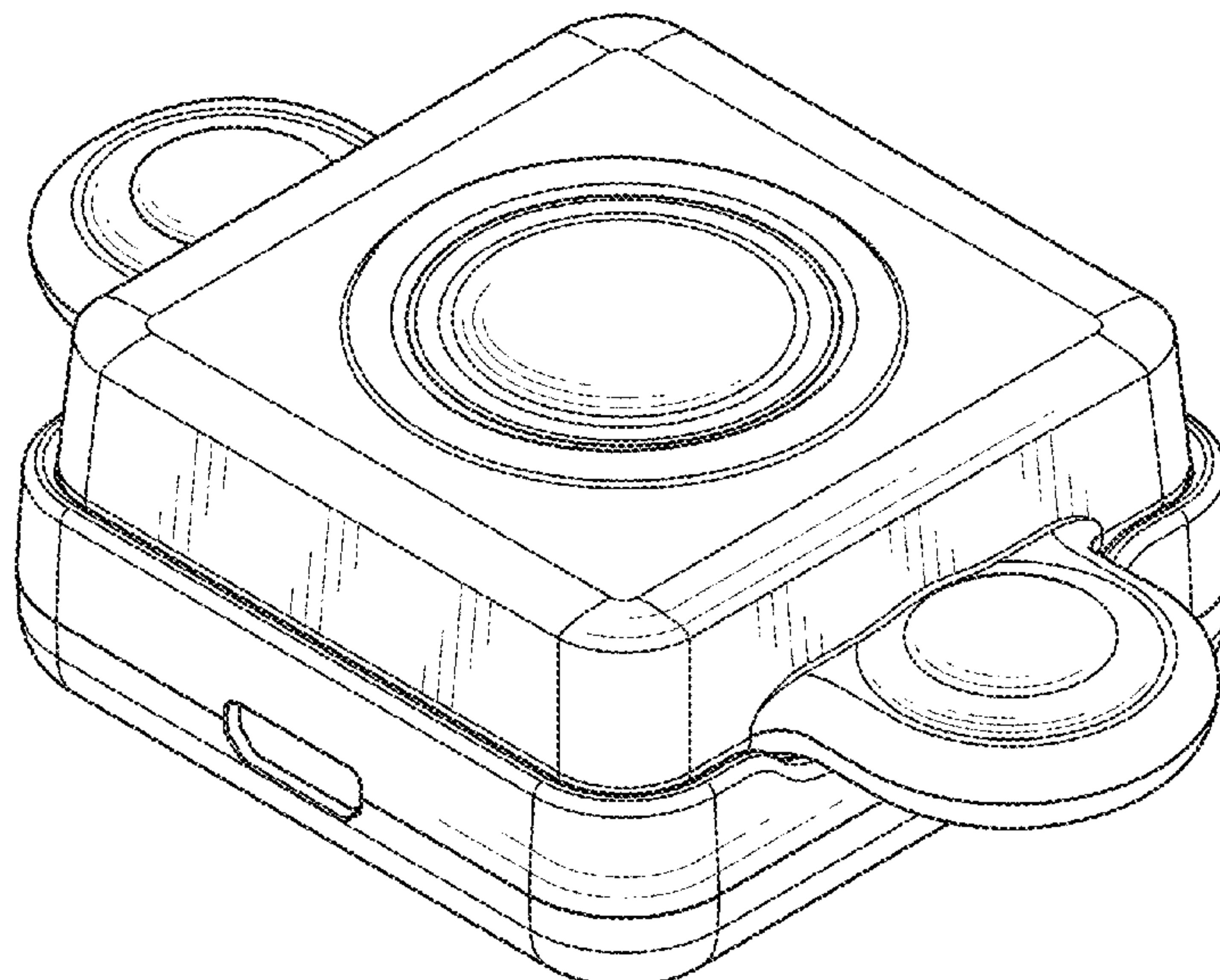
FIG. 11 is a rear view of the charging stand;

FIG. 12 is a left side view of the charging stand;

FIG. 13 is a right side view of the charging stand;

FIG. 14 is a top plan view of the charging stand; and,
FIG. 15 is a bottom plan view of the charging stand, wherein the broken lines and the unshaded surfaces in FIG. 15 illustrate portions of the electrocardiogram recorder and charging stand in combination that form no part of the claimed design.

1 Claim, 9 Drawing Sheets



(58) **Field of Classification Search**

CPC . A61B 5/0402; A61B 5/0404; A61B 5/04085;
A61B 5/0416; A61B 5/0432; A61B
5/044; A61B 5/6805; A61B 5/6823; A61B
2560/0412; A61B 2560/0462; A61B 7/02;
A61B 7/04; A61B 7/003; A61B 7/026

See application file for complete search history.

(56) **References Cited**

U.S. PATENT DOCUMENTS

D890,348	S	7/2020	Lam et al.	
D890,697	S *	7/2020	Chen	D13/108
D891,366	S *	7/2020	Xie	D13/108
D897,282	S *	9/2020	Ye	D13/107
D914,218	S *	3/2021	Govari	D24/186
11,064,918	B2 *	7/2021	Tang	A61B 5/02055
2019/0015004	A1 *	1/2019	Maurizi	A61B 5/332
2020/0069203	A1 *	3/2020	Chang	A61B 5/6833
2020/0289083	A1 *	9/2020	Ogawa	A61B 5/6843
2020/0352510	A1 *	11/2020	Dhillon	A61B 5/1491
2021/0228077	A1 *	7/2021	Nakano	A61B 5/349

OTHER PUBLICATIONS

English Translation of Japanese Office Action dated Oct. 22, 2020,
issued in application No. 2018-015965.

* cited by examiner

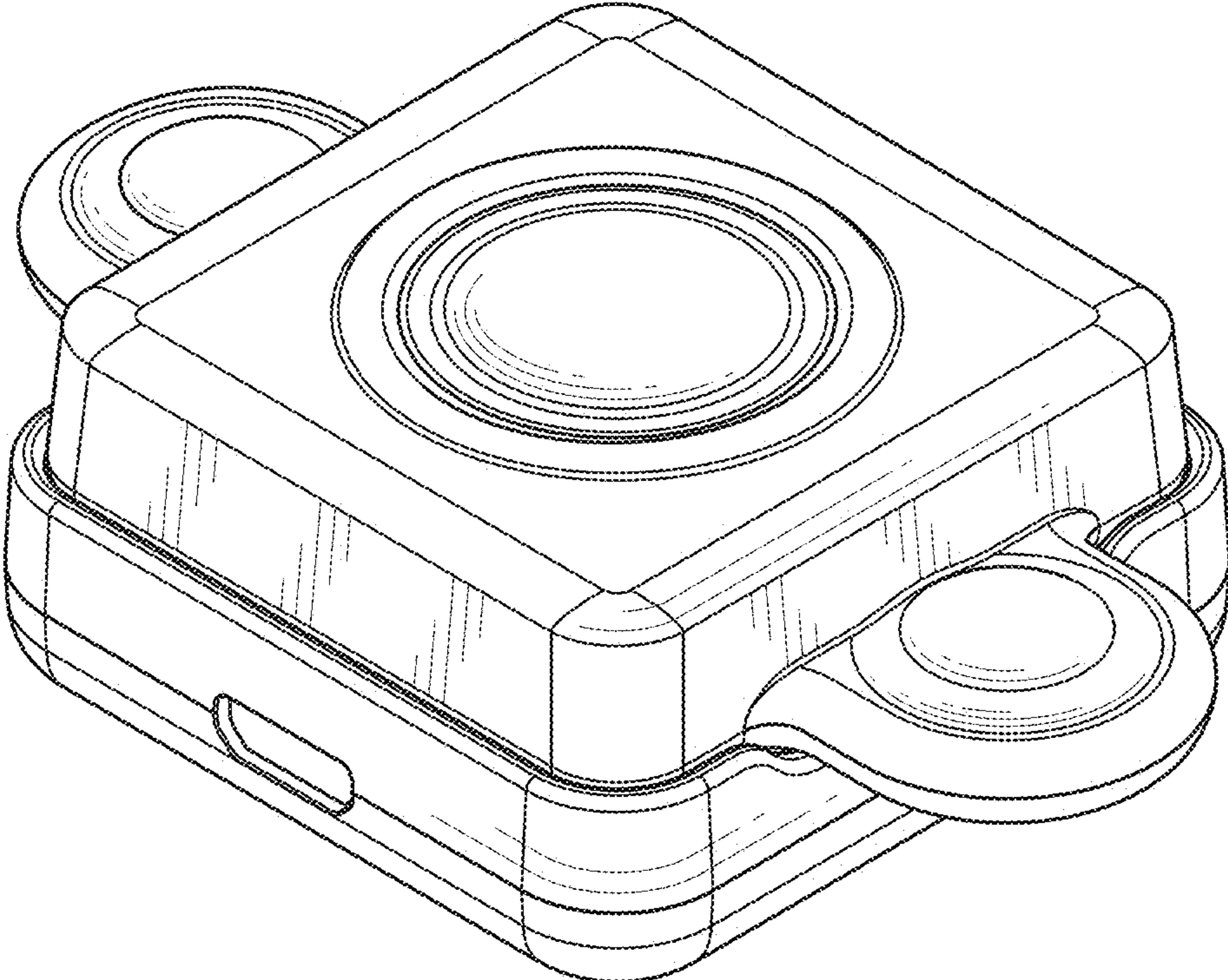


FIG. 1

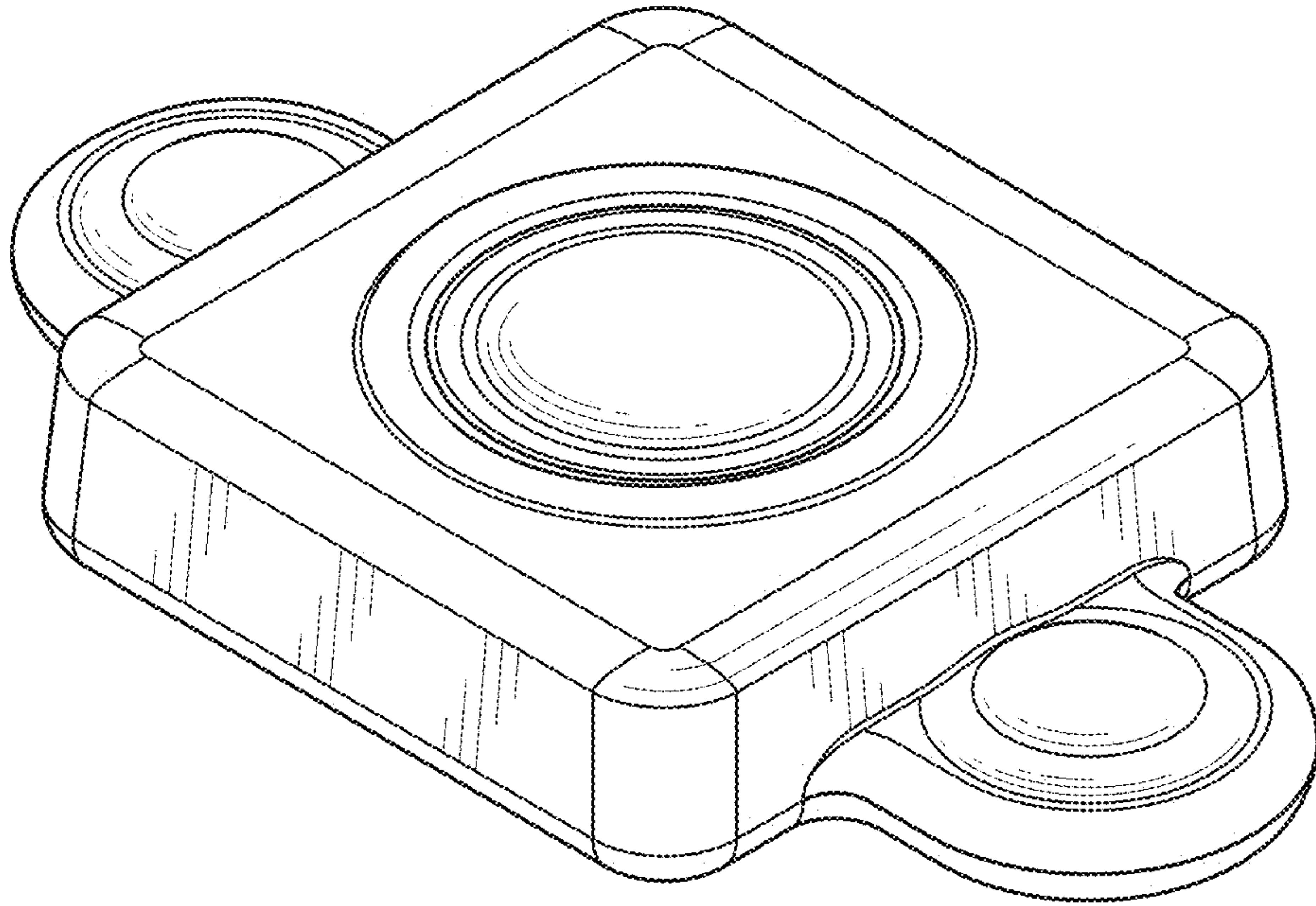


FIG. 2

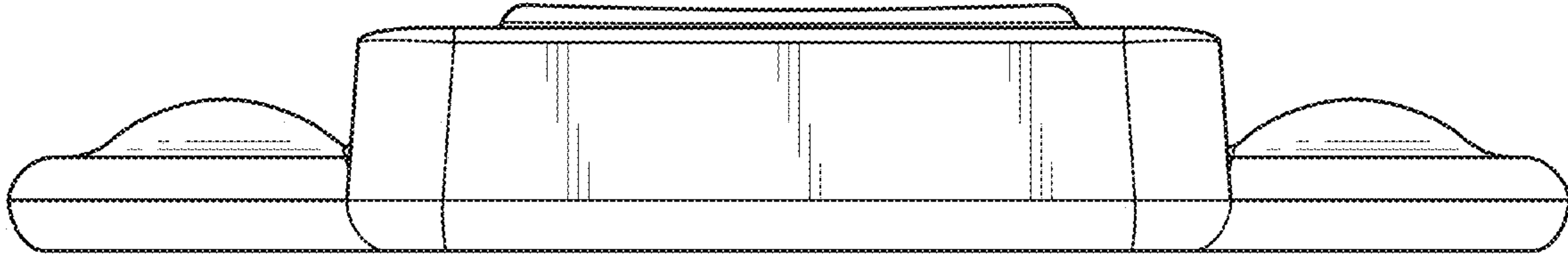


FIG. 3

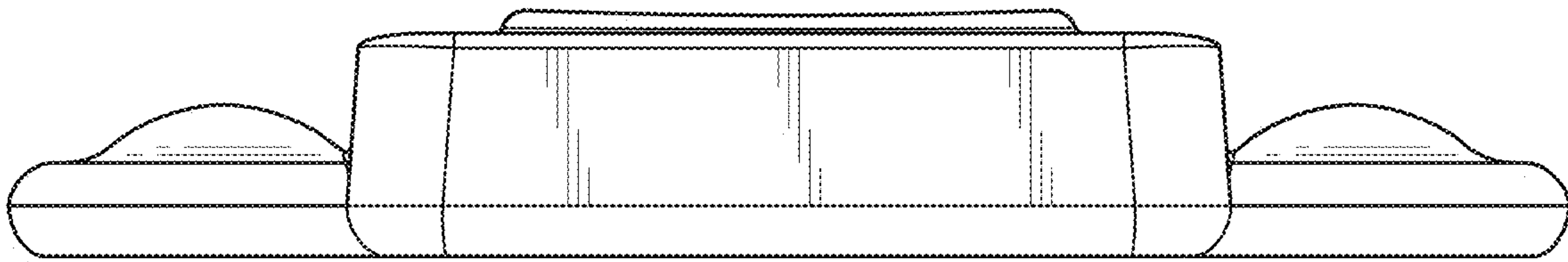


FIG. 4

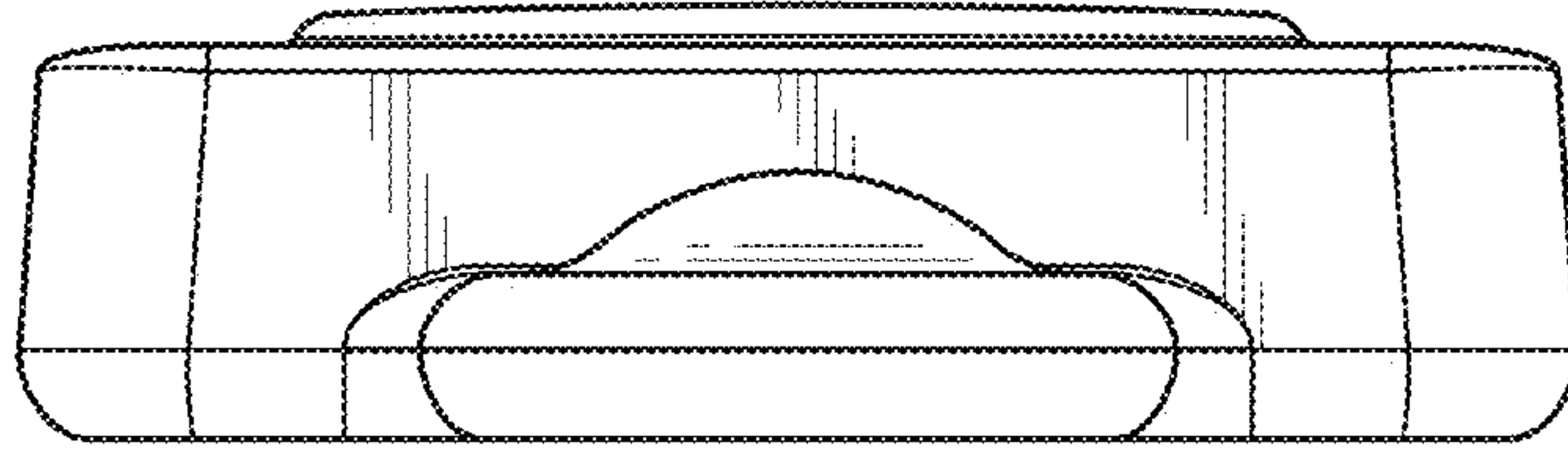


FIG. 5

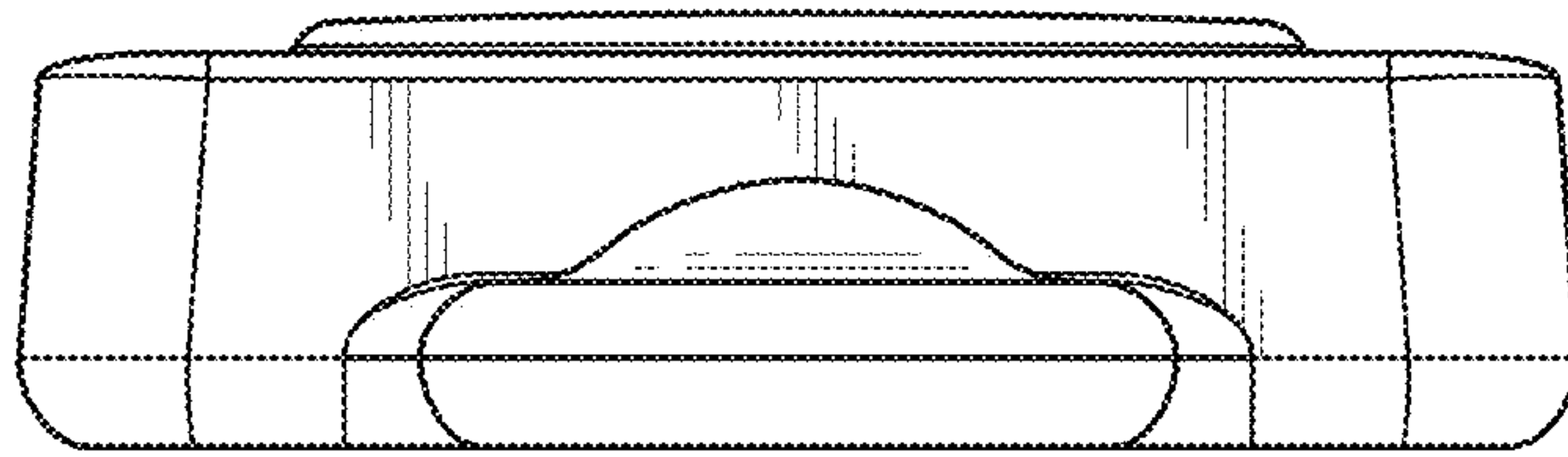


FIG. 6

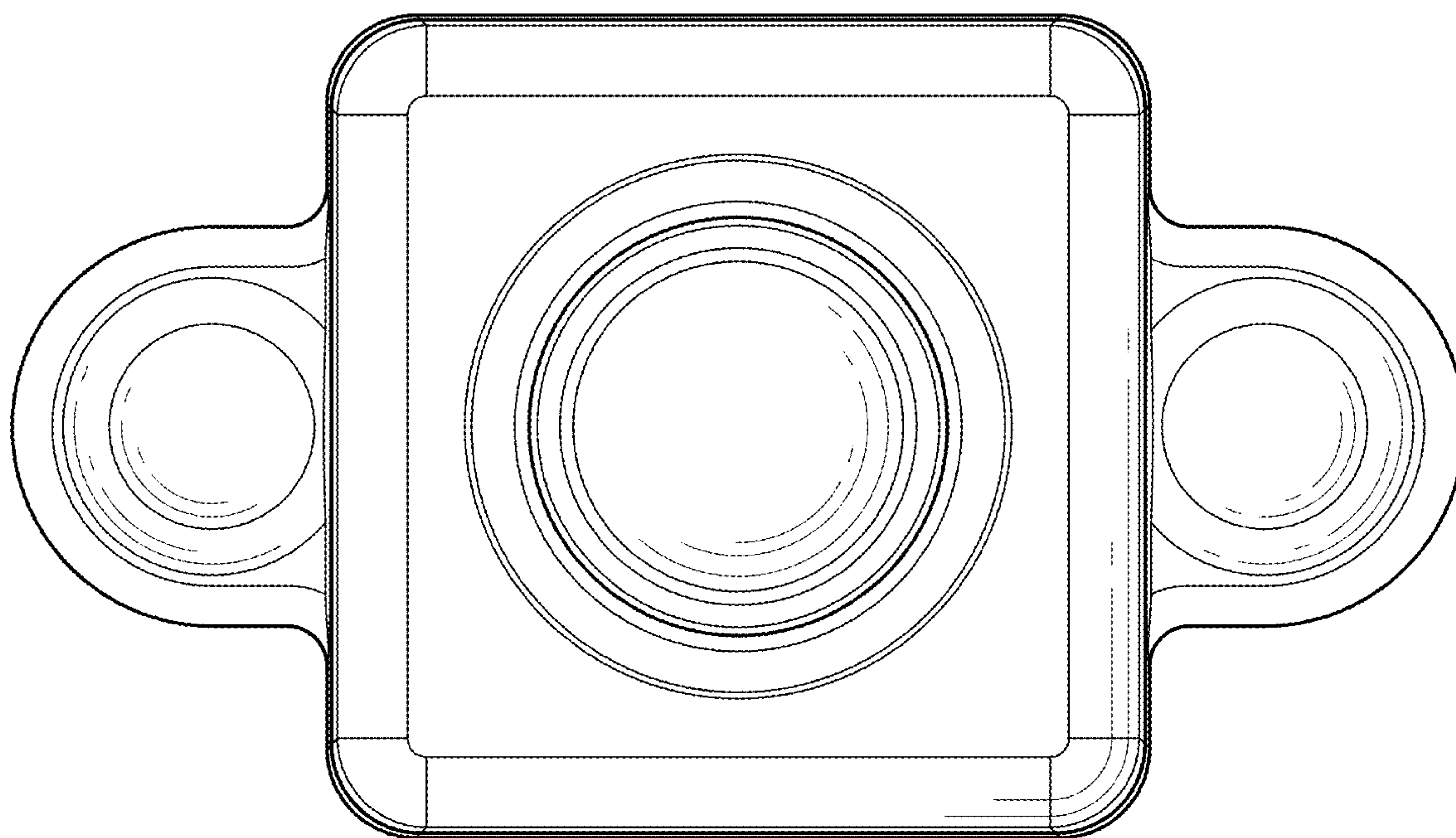


FIG. 7

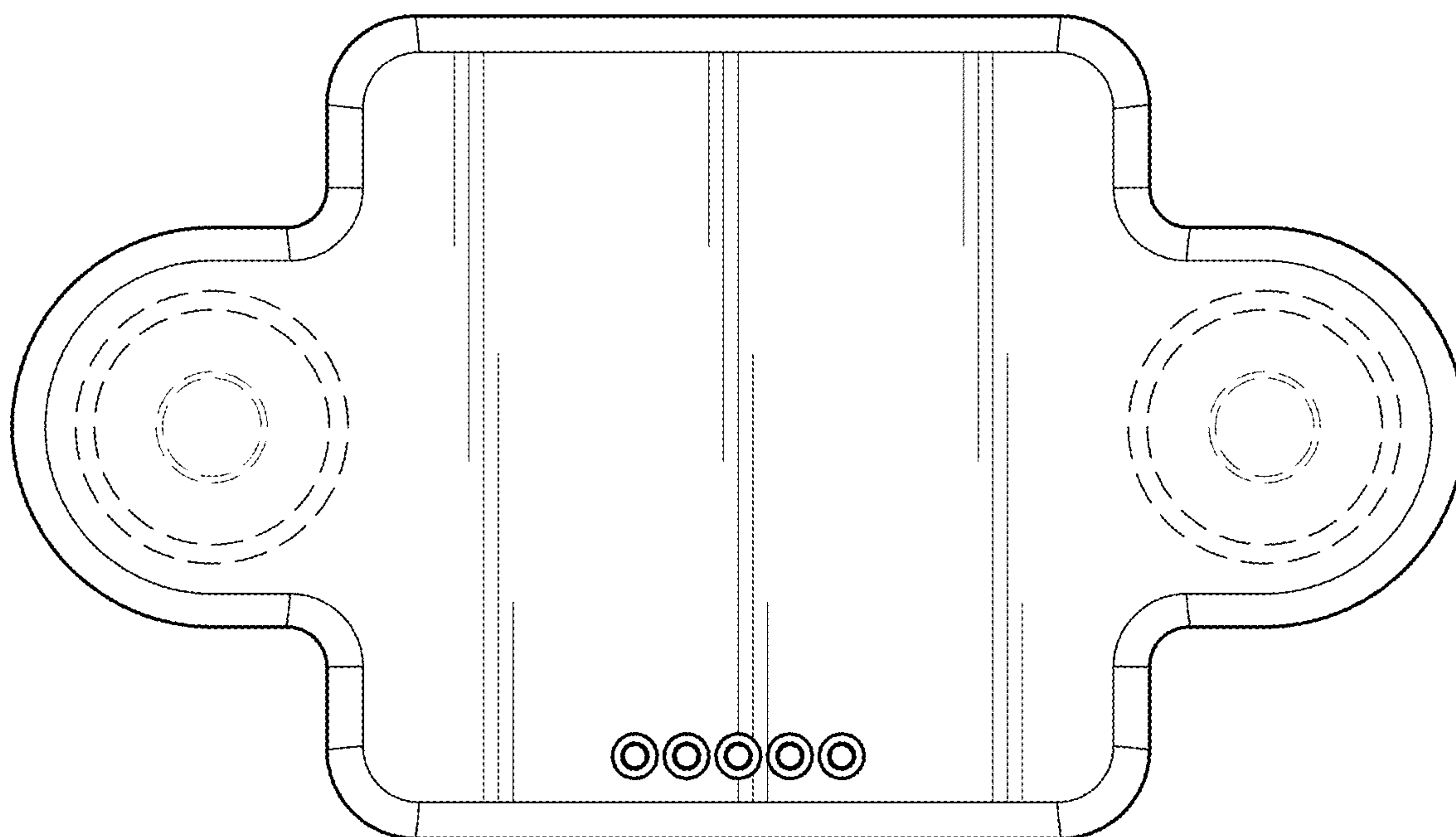


FIG. 8

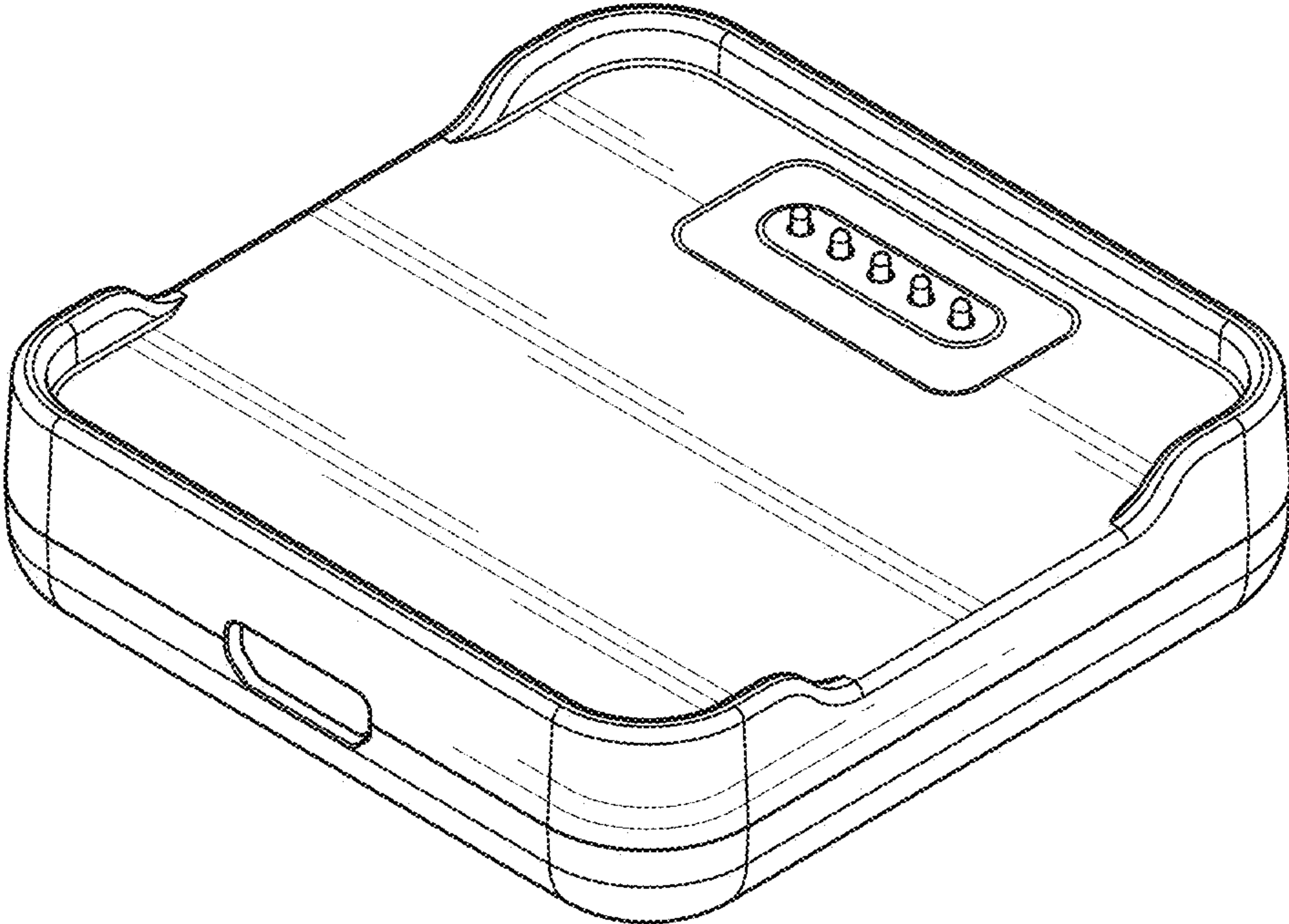


FIG. 9

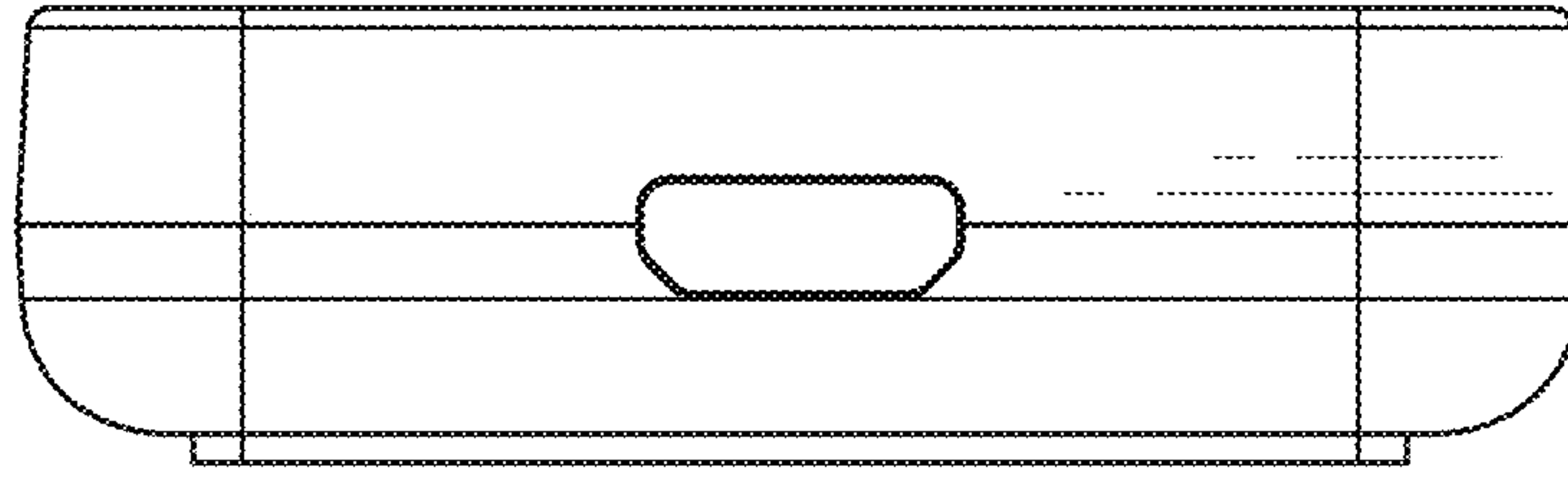


FIG. 10

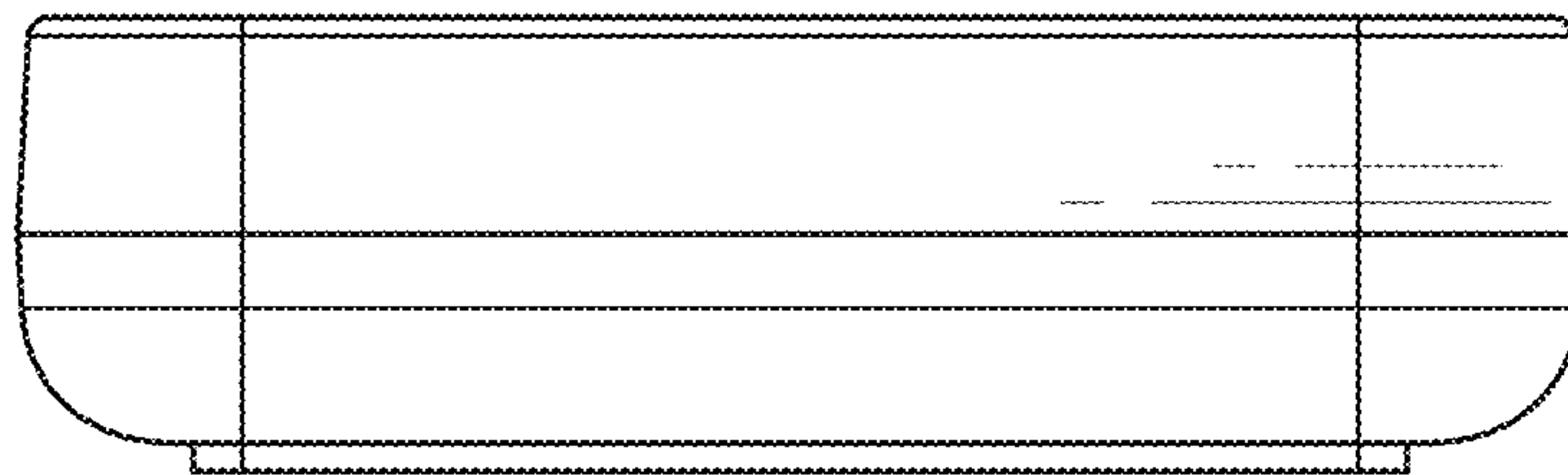


FIG. 11

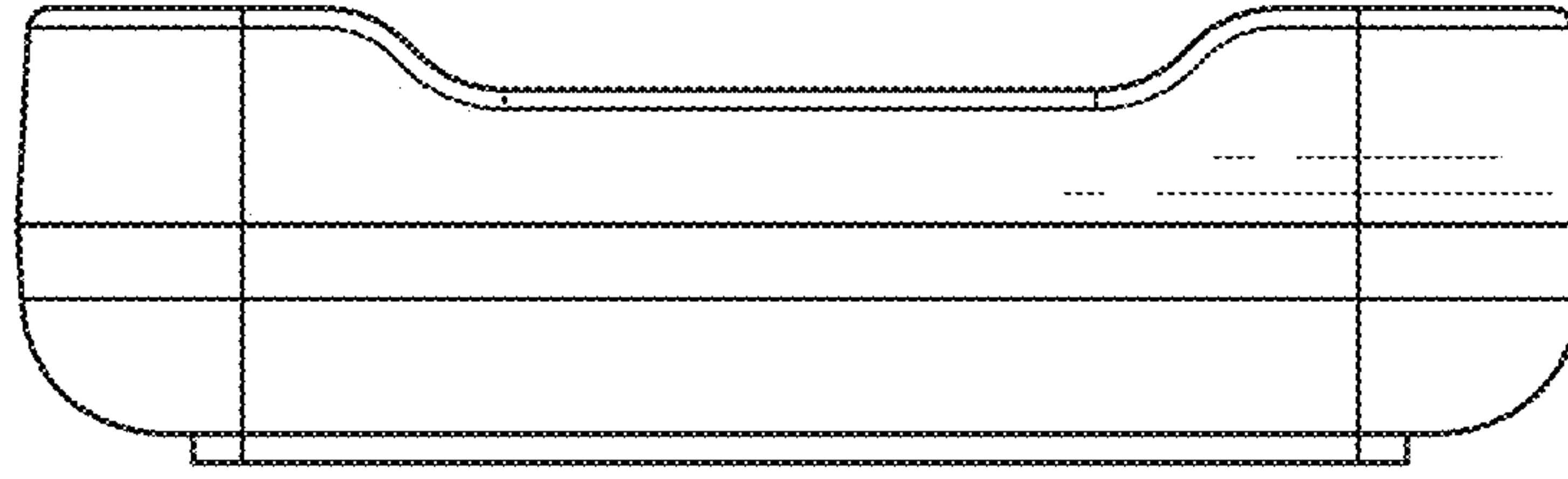


FIG. 12

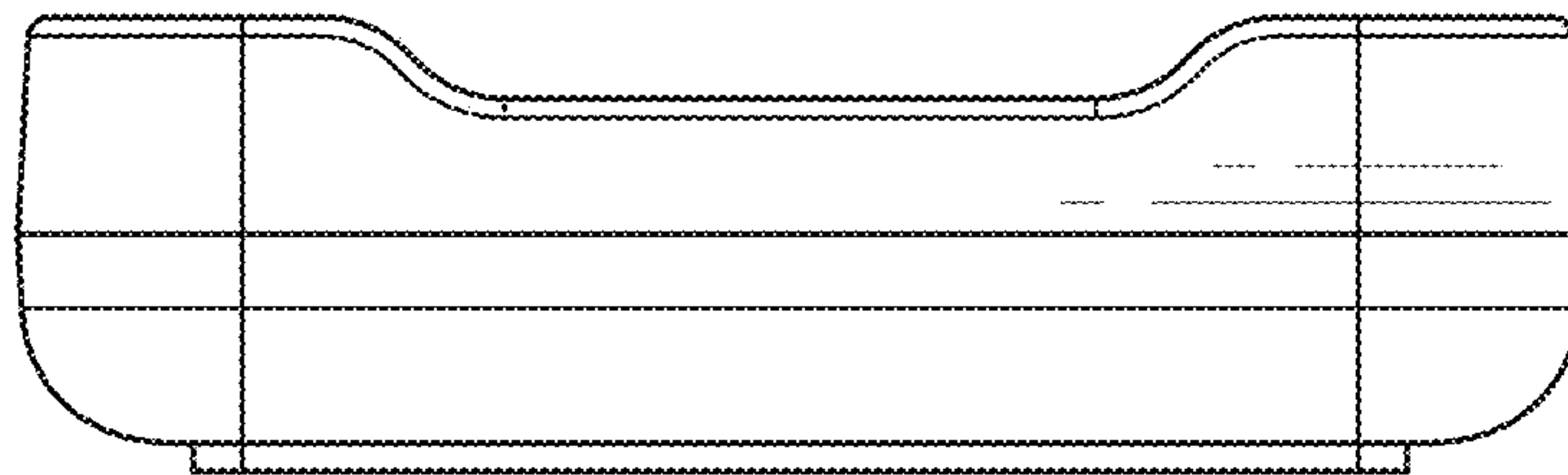


FIG. 13

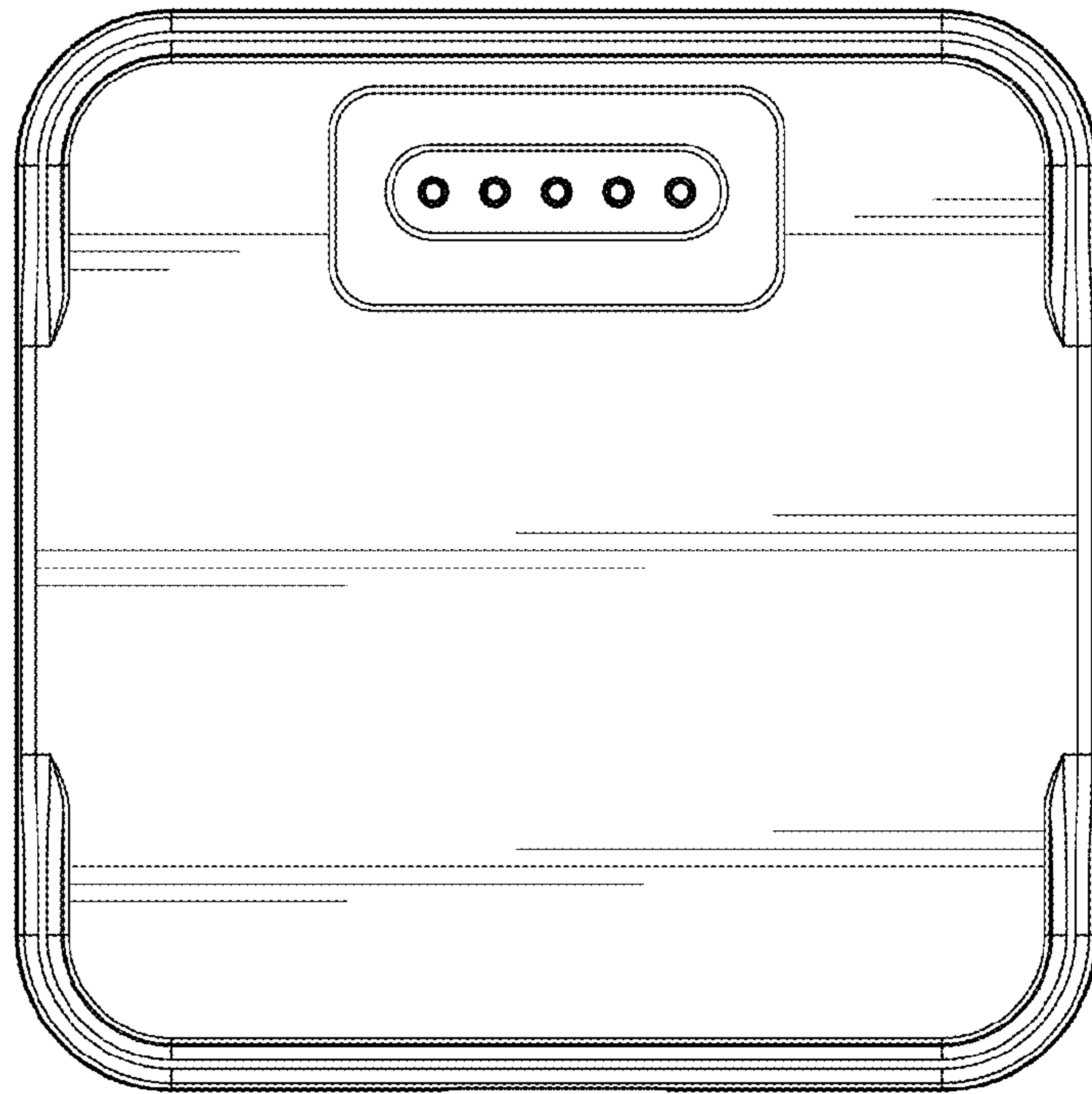


FIG. 14

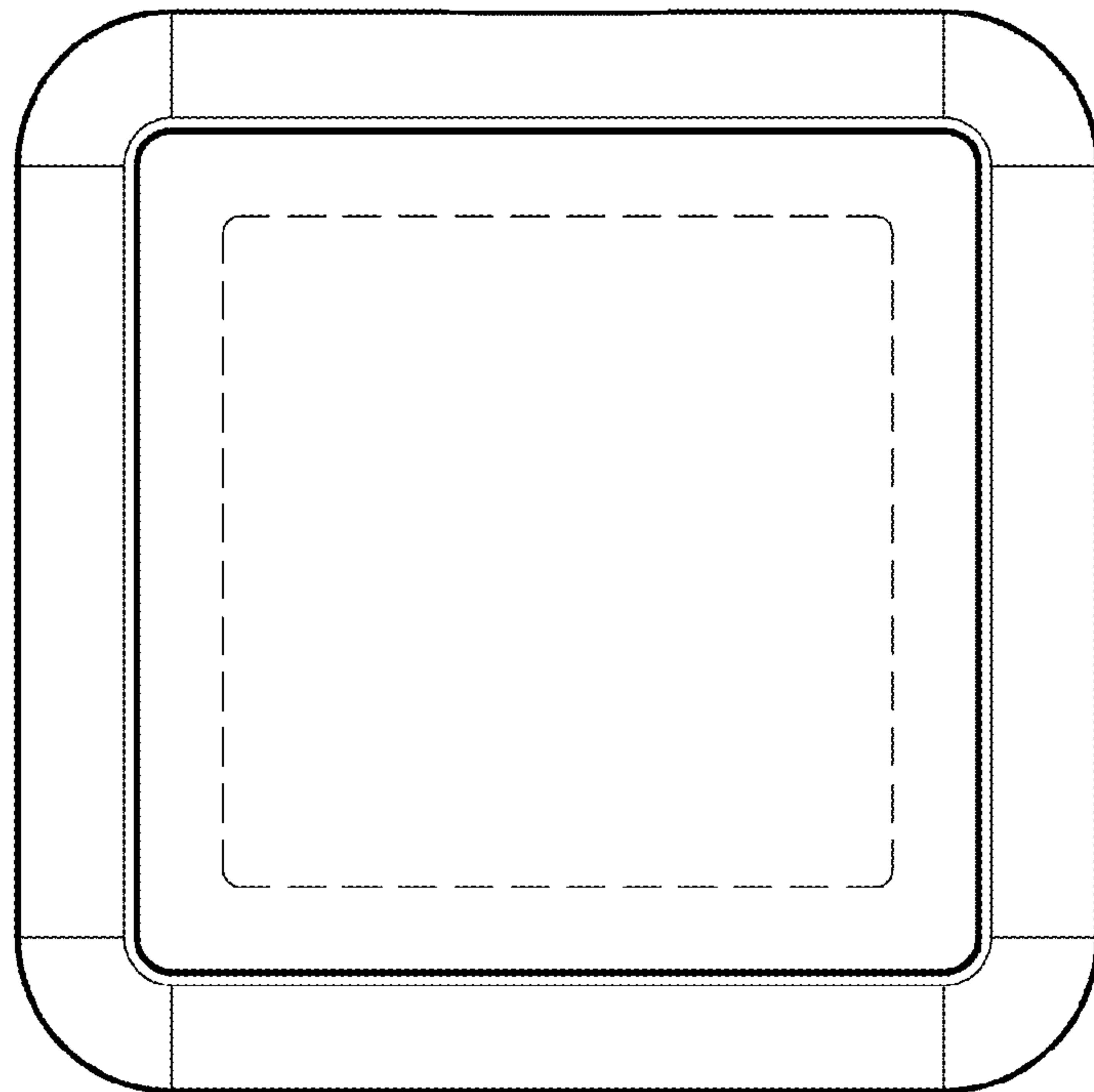


FIG. 15