



US00D940869S

(12) **United States Design Patent** (10) **Patent No.:** **US D940,869 S**  
**Guegel-Wild** (45) **Date of Patent:** **\*\* Jan. 11, 2022**

(54) **MEDICAL IMAGING APPARATUS**

(71) Applicant: **Siemens Healthcare GmbH**, Erlangen (DE)

(72) Inventor: **Stefanie Guegel-Wild**, Langensendelbach (DE)

(73) Assignee: **Siemens Healthcare GmbH**, Erlangen (DE)

(\*\*) Term: **15 Years**

(21) Appl. No.: **29/719,384**

(22) Filed: **Jan. 3, 2020**

(30) **Foreign Application Priority Data**

Aug. 30, 2019 (EM) ..... 006789616

(51) **LOC (13) Cl.** ..... **24-01**

(52) **U.S. Cl.**  
USPC ..... **D24/158**

(58) **Field of Classification Search**  
USPC ..... D24/158-161, 185, 186, 107  
CPC .. A61B 5/05; A61B 5/055; A61B 6/03; A61B 6/035

See application file for complete search history.

(56) **References Cited**

U.S. PATENT DOCUMENTS

D683,025 S \* 5/2013 Banryu ..... D24/158  
D683,026 S \* 5/2013 Banryu ..... D24/158  
D785,181 S \* 4/2017 Grosshauser ..... D24/158  
D785,182 S \* 4/2017 Grosshauser ..... D24/158  
D785,801 S \* 5/2017 Grosshauser ..... D24/158  
D842,994 S \* 3/2019 Avranches ..... D24/158

D843,577 S \* 3/2019 Zhi ..... D24/158  
D868,972 S \* 12/2019 Maciejewski ..... D24/158  
D876,630 S \* 2/2020 Chang ..... D24/158  
D887,004 S \* 6/2020 Chang ..... D24/158  
2012/0140899 A1\* 6/2012 Bailey ..... A61B 6/035  
378/198  
2020/0175733 A1\* 6/2020 Yu ..... A61B 6/485

**OTHER PUBLICATIONS**

Computed Tomography, posted at siemens-healthineers.com, no posting date, retrieved Nov. 7, 2020, online, URL: <https://www.siemens-healthineers.com/en-us/computed-tomography> (Year: 2020).\*

\* cited by examiner

*Primary Examiner* — Lilyana Bekic

*Assistant Examiner* — Mary Shannon Malley

(74) *Attorney, Agent, or Firm* — Schiff Hardin LLP

(57) **CLAIM**

The ornamental design for a medical imaging apparatus, as shown and described.

**DESCRIPTION**

FIG. 1 is a front view of a medical imaging apparatus showing our new design;  
FIG. 2 is a back elevational view thereof;  
FIG. 3 is a top plan view thereof;  
FIG. 4 is a bottom plan view thereof;  
FIG. 5 is a right side elevational view thereof;  
FIG. 6 is a left side elevational view thereof; and,  
FIG. 7 is a perspective view taken generally from the top, front, left-hand side thereof.

The broken lines shown in the drawings represent portions of the medical imaging apparatus that form no part of the claimed design.

**1 Claim, 7 Drawing Sheets**

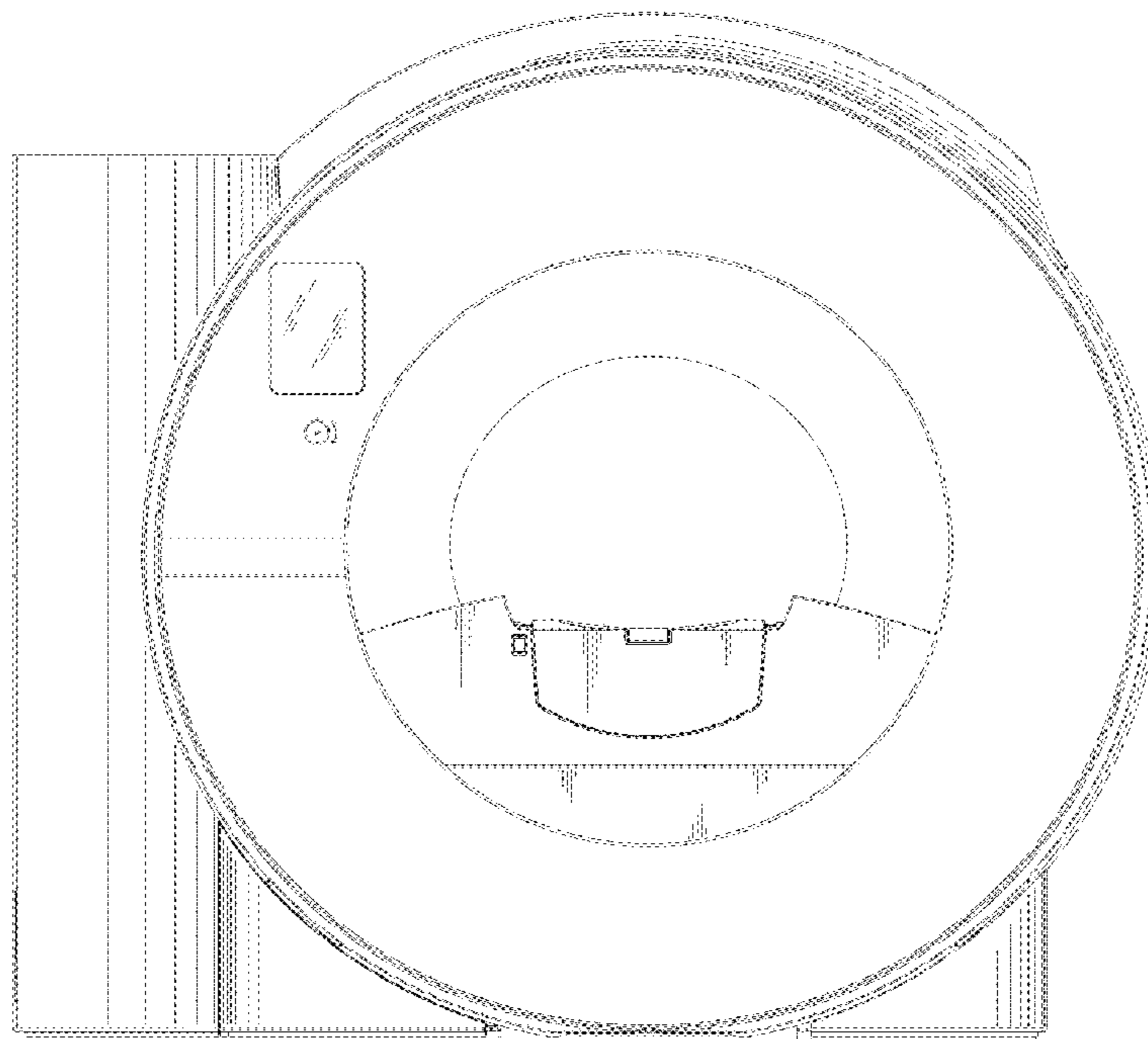
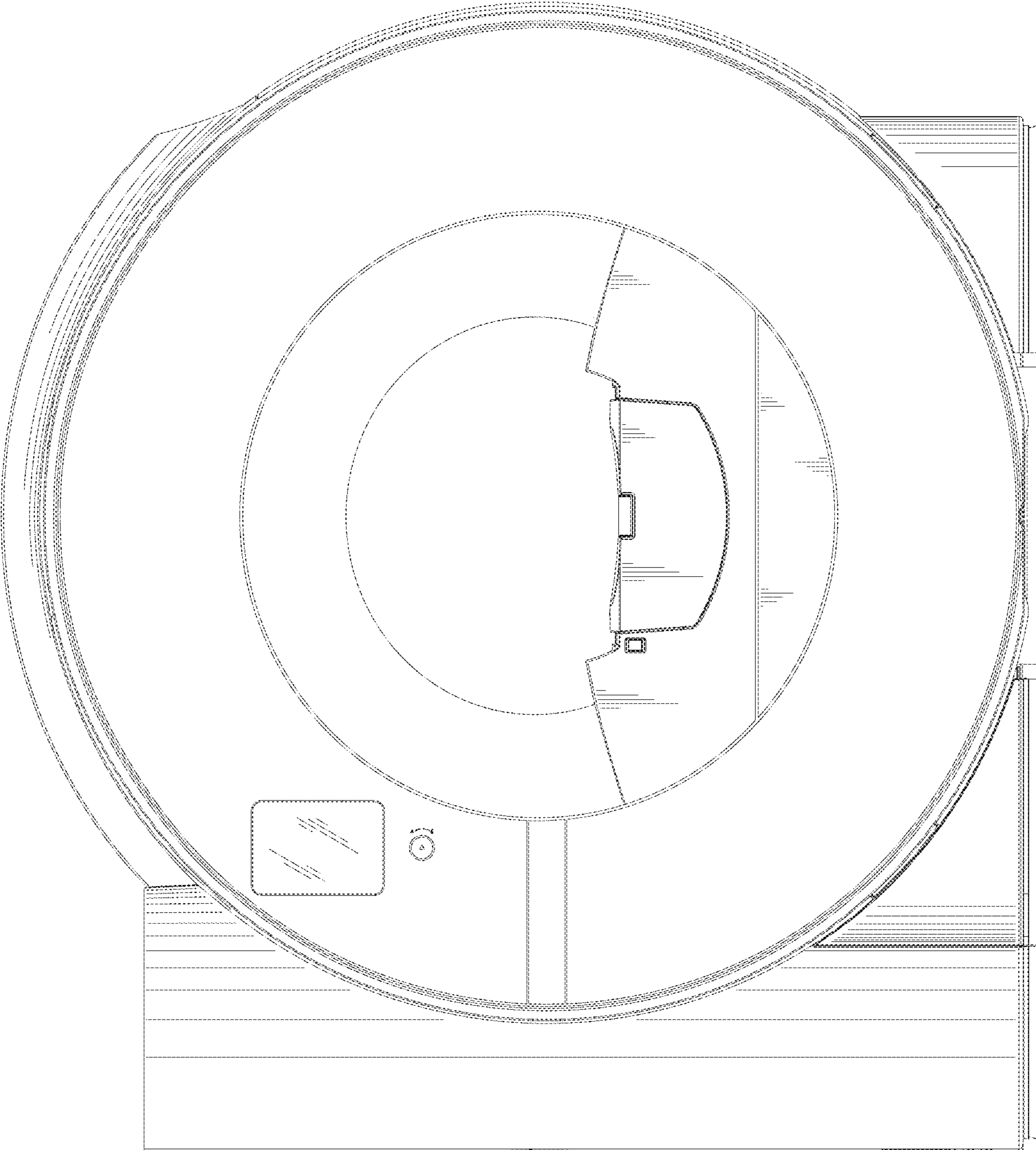


FIG. 1



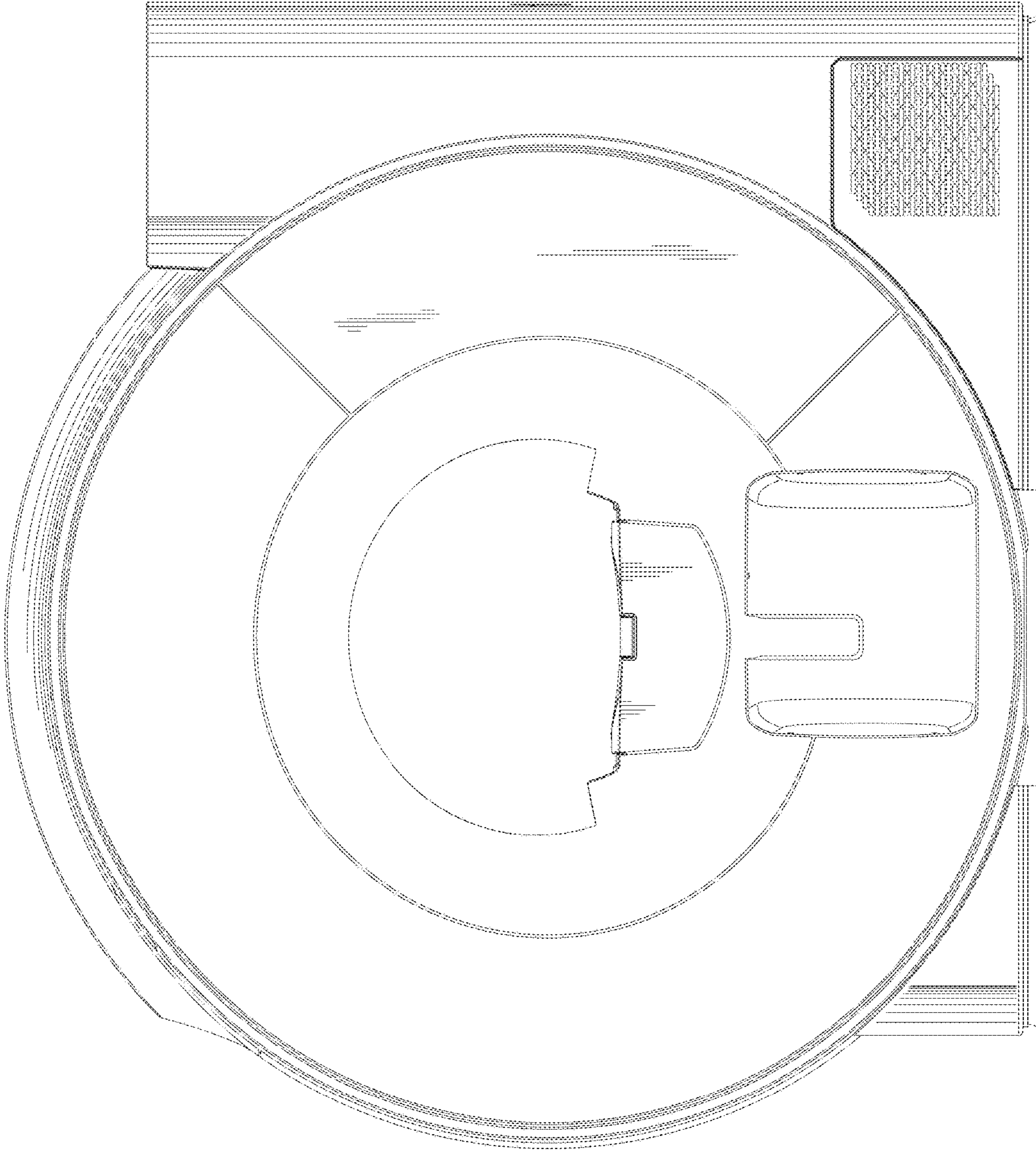


FIG. 2

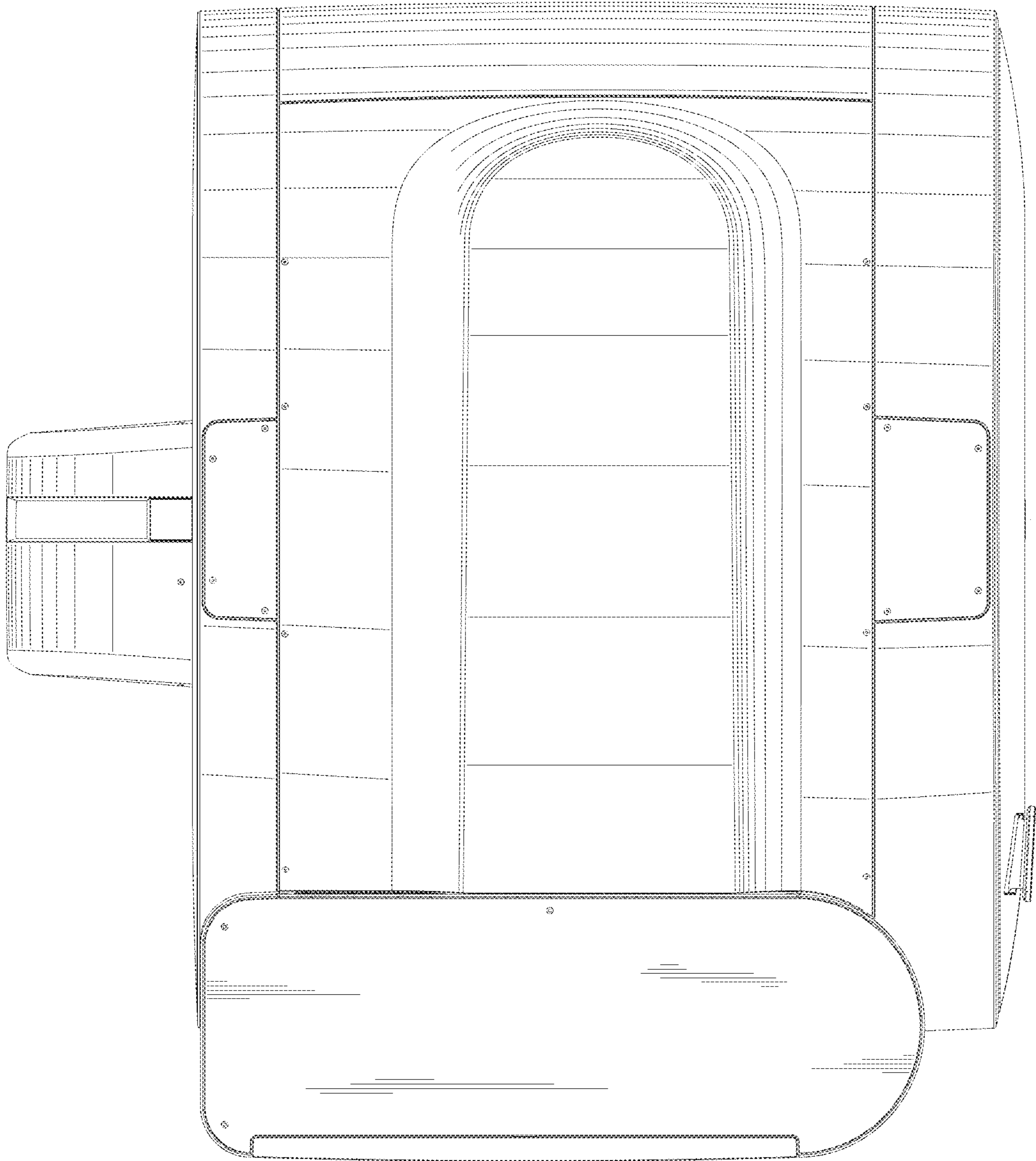


FIG. 3

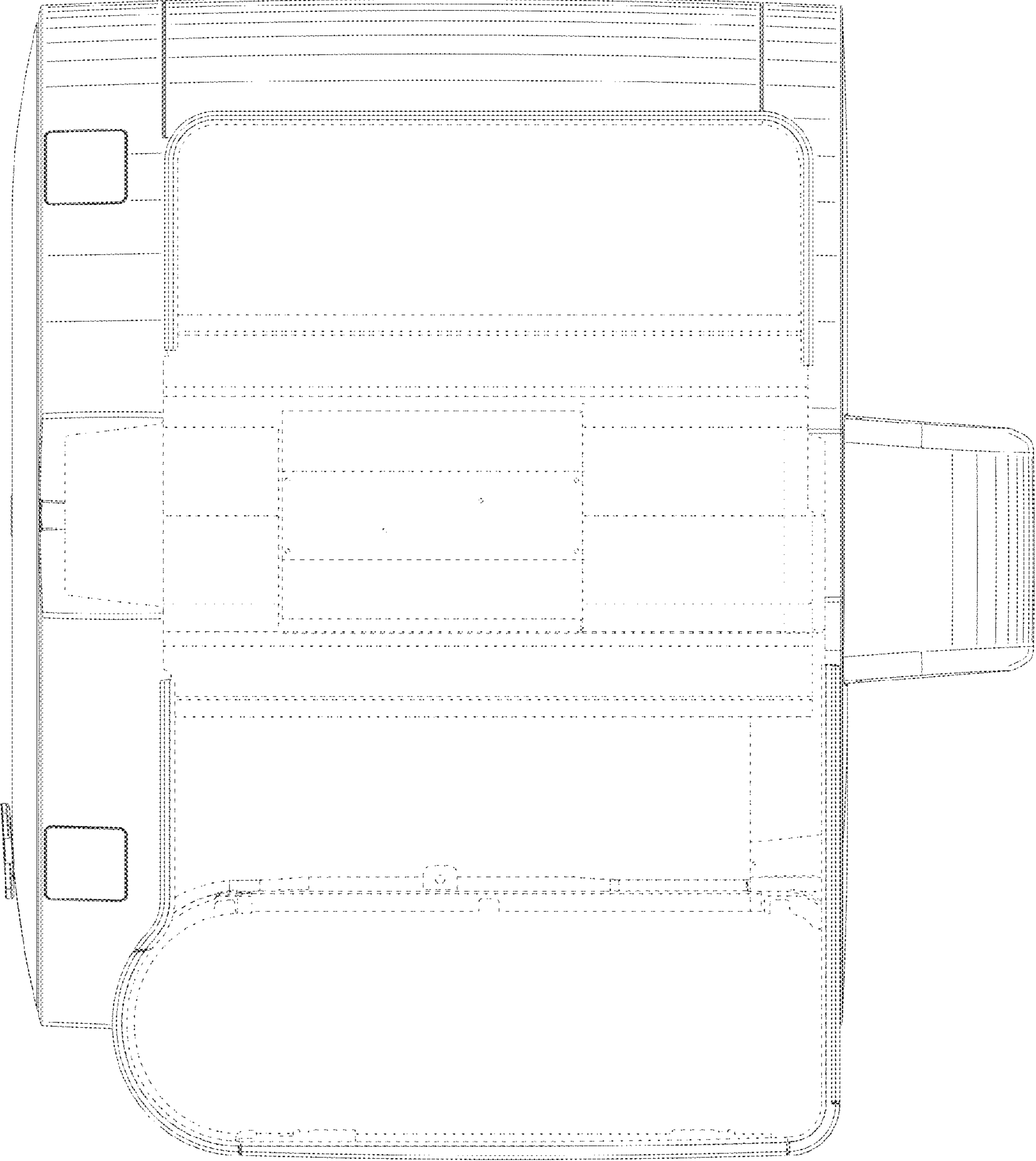
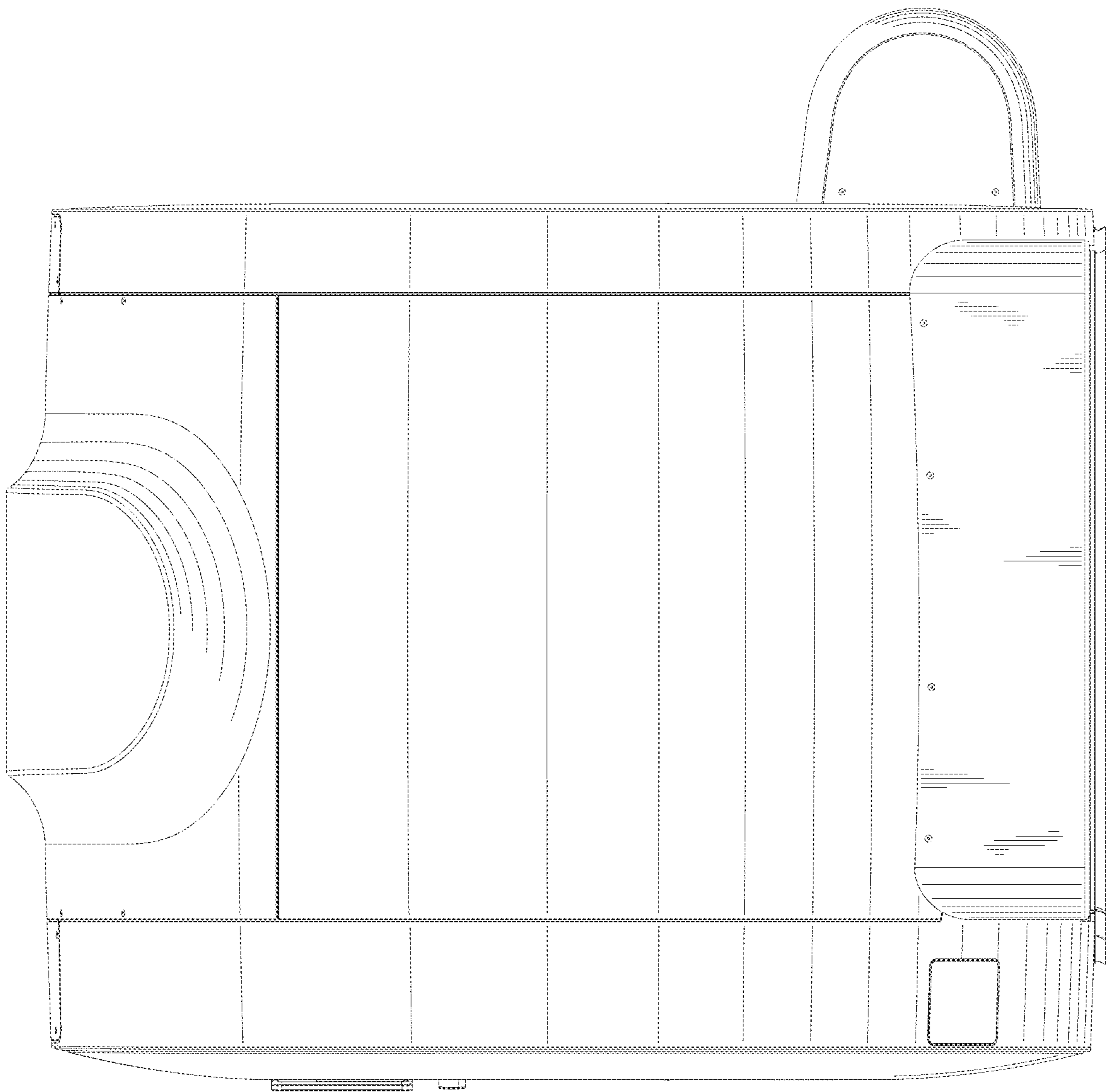


FIG. 4

FIG. 5



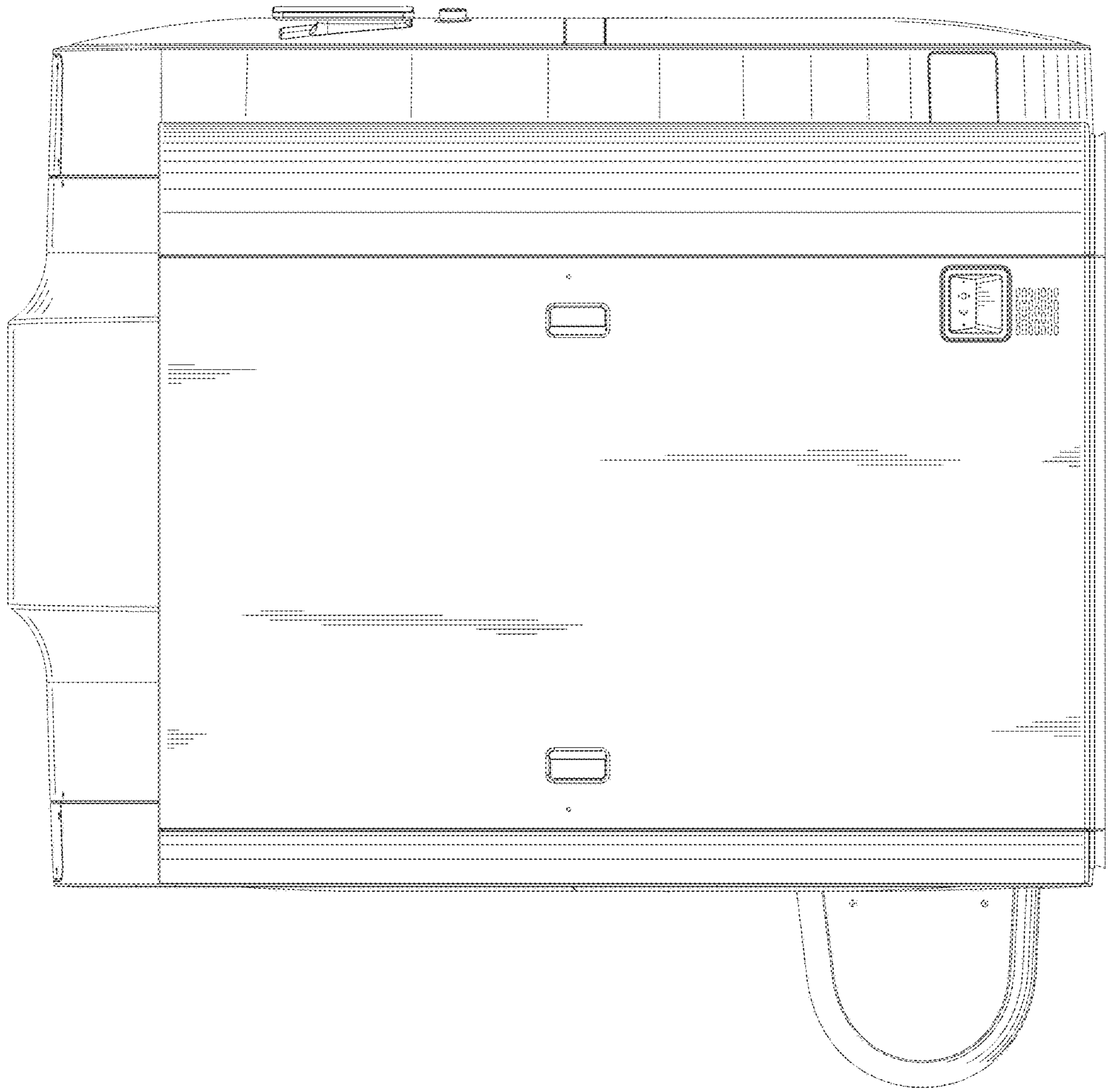


FIG. 6

FIG. 7

