



US00D940867S

(12) **United States Design Patent**
DePirro

(10) **Patent No.:** **US D940,867 S**

(45) **Date of Patent:** **** Jan. 11, 2022**

(54) **STICKER WITH SURFACE
ORNAMENTATION**

(74) *Attorney, Agent, or Firm* — Dunlap Bennett & Ludwig, PLLC

(71) Applicant: **Stephen DePirro**, Port St. Lucie, FL
(US)

(57) **CLAIM**

The ornamental design for a sticker with surface ornamentation, as shown and described.

(72) Inventor: **Stephen DePirro**, Port St. Lucie, FL
(US)

(**) Term: **15 Years**

DESCRIPTION

(21) Appl. No.: **29/733,598**

(22) Filed: **May 5, 2020**

(51) **LOC (13) Cl.** **24-03**

(52) **U.S. Cl.**

USPC **D24/156**

(58) **Field of Classification Search**

USPC D20/10, 11, 22, 23, 25, 27; D24/152,
D24/153, 154, 155, 156, 158, 176, 178,
D24/179, 180, 181, 182

(Continued)

FIG. 1 is a front elevation view of a first embodiment of the sticker with surface ornamentation, showing my new design; FIG. 2 is a rear elevation view of the first embodiment; FIG. 3 is a left-side elevation view of the first embodiment, the right-side elevation view being an identical image thereof;

FIG. 4 is a top plan view of the first embodiment, the bottom plan view being an identical image thereof;

FIG. 5 is a front elevation view of a second embodiment of the sticker with surface ornamentation;

FIG. 6 is a rear elevation view of the second embodiment; FIG. 7 is a left-side elevation view of the second embodiment, the right-side elevation view being an identical image thereof;

FIG. 8 is a top plan view of the second embodiment, the bottom plan view being an identical image thereof;

FIG. 9 is a front elevation view of a third embodiment of the sticker with surface ornamentation;

FIG. 10 is a rear elevation view of the third embodiment; FIG. 11 is a left-side elevation view of the third embodiment, the right-side elevation view being an identical image thereof;

FIG. 12 is a top plan view of the third embodiment, the bottom plan view being an identical image thereof;

FIG. 13 is a front elevation view of a fourth embodiment of the sticker with surface ornamentation;

FIG. 14 is a rear elevation view of the fourth embodiment; FIG. 15 is a left-side elevation view of the fourth embodiment, the right-side elevation view being an identical image thereof; and,

FIG. 16 is a top plan view of the fourth embodiment, the bottom plan view being an identical image thereof.

(Continued)

(56) **References Cited**

U.S. PATENT DOCUMENTS

5,202,911 A * 4/1993 Fabian G03B 42/047
378/163

D555,793 S 11/2007 White
(Continued)

FOREIGN PATENT DOCUMENTS

WO D084420-057 * 2/2015

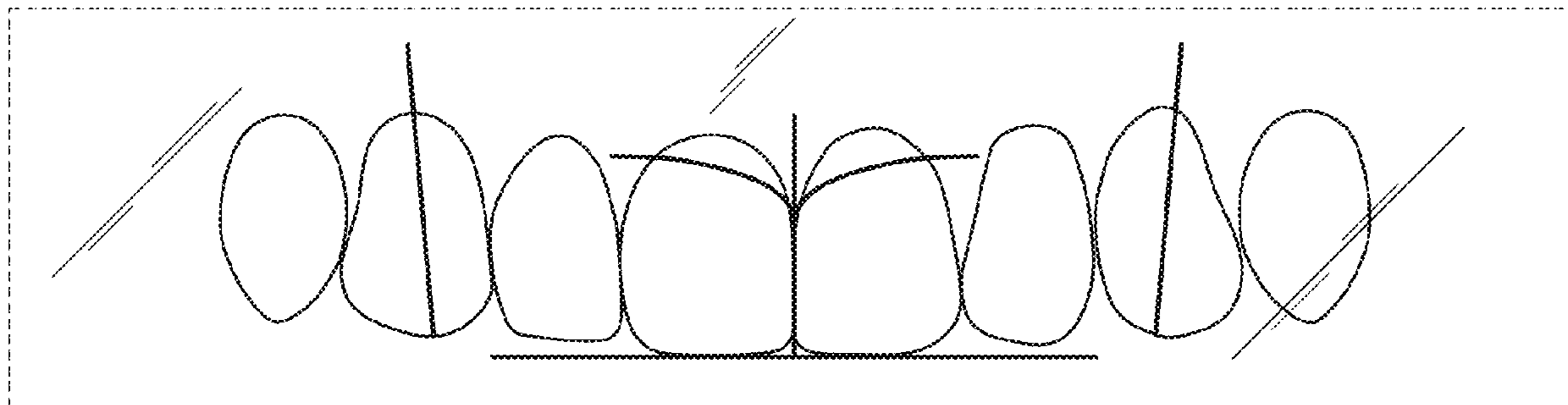
OTHER PUBLICATIONS

ESL Printables, "Teeth care", first available Mar. 25, 2011. (<https://www.eslprintables.com/printable.asp?id=523186>) (Year: 2011).*

(Continued)

Primary Examiner — Lauren D McVey

Assistant Examiner — Justin A Johnson



The broken lines shown in the drawings depict portions of the sticker that form no part of the claimed design.

1 Claim, 4 Drawing Sheets

(58) Field of Classification Search

CPC .. A61C 1/00; A61C 1/08; A61C 1/084; A61C 1/16; A61C 3/00; A61C 3/08; A61C 5/00; A61C 5/007; A61C 5/20; A61C 5/30; A61C 5/70; A61C 7/00; A61C 7/36; A61C 8/00; A61C 8/0001; A61C 8/00054; A61C 8/00081; A61C 8/00083; A61C 2008/0084; A61C 8/0087; A61C 8/0096; A61C 9/00; A61C 9/0006; A61C 19/008; A61C 19/02; A61K 6/00; G09F 3/00

See application file for complete search history.

(56) References Cited

U.S. PATENT DOCUMENTS

D632,393 S	2/2011	Sato et al.	
D663,425 S *	7/2012	Massad	D24/181
D692,137 S *	10/2013	Sicurelli	D24/158
D700,335 S	2/2014	Sicurelli	

D700,336 S	2/2014	Sicurelli	
D700,337 S	2/2014	Sicurelli	
8,650,005 B2 *	2/2014	Liao	G09B 23/283 703/1
D739,531 S *	9/2015	Sicurelli	D24/158
D739,532 S *	9/2015	Sicurelli	D24/158
D824,031 S *	7/2018	Searing	D24/158
2005/0239013 A1 *	10/2005	Sachdeva	A61C 3/00 433/24
2013/0177864 A1 *	7/2013	Hultgren	A61B 17/32 433/29
2017/0056236 A1 *	3/2017	Yousefian	A61F 5/566
2018/0333236 A1 *	11/2018	Althobity	A61C 13/20
2020/0188069 A1 *	6/2020	Lindbergh	A61C 13/00
2020/0345534 A1 *	11/2020	Lucas	A61C 7/10

OTHER PUBLICATIONS

Twinkl, "Brushing Your Teeth Hands-On Activity", first available Jun. 14, 2017. (<https://www.twinkl.com/resource/US-t-2546311-brushing-your-teeth-hands-on-activity>) (Year: 2017).*

Amazon, "Instant Smile Comfort Fit Flex", first available Oct. 12, 2019. (<https://www.amazon.ca/Instant-Smile-Comfort-Fit-Flex/dp/B07TYGB64C/>) (Year: 2019).*

7 Days of Play, "Brush the Teeth!", first accessed Oct. 6, 2021. (<https://7daysofplay.com/product/teeth-brushing-printable/>) (Year: 2021).*

* cited by examiner

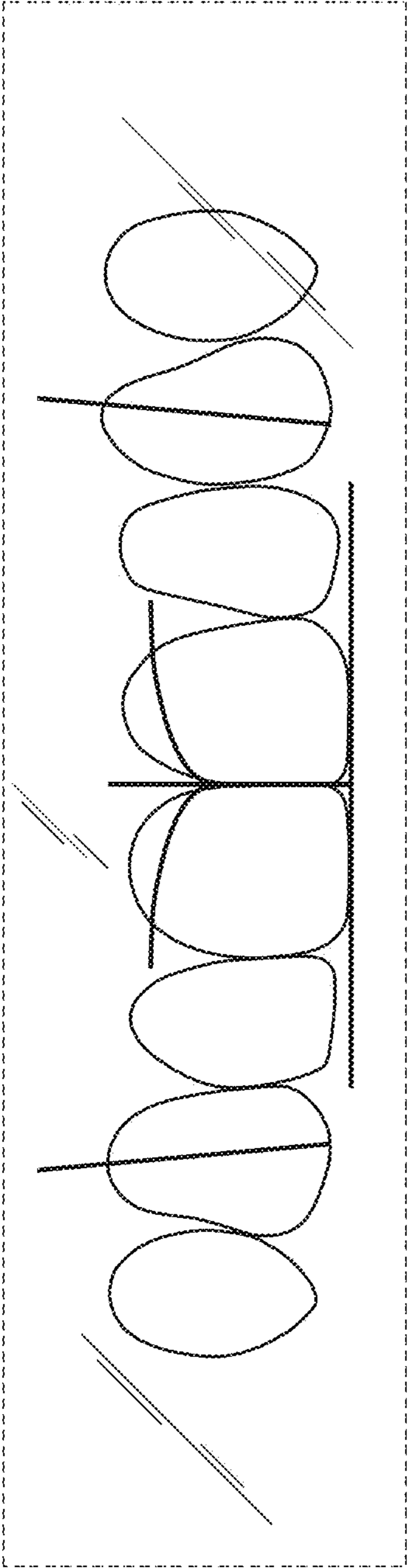


FIG. 1

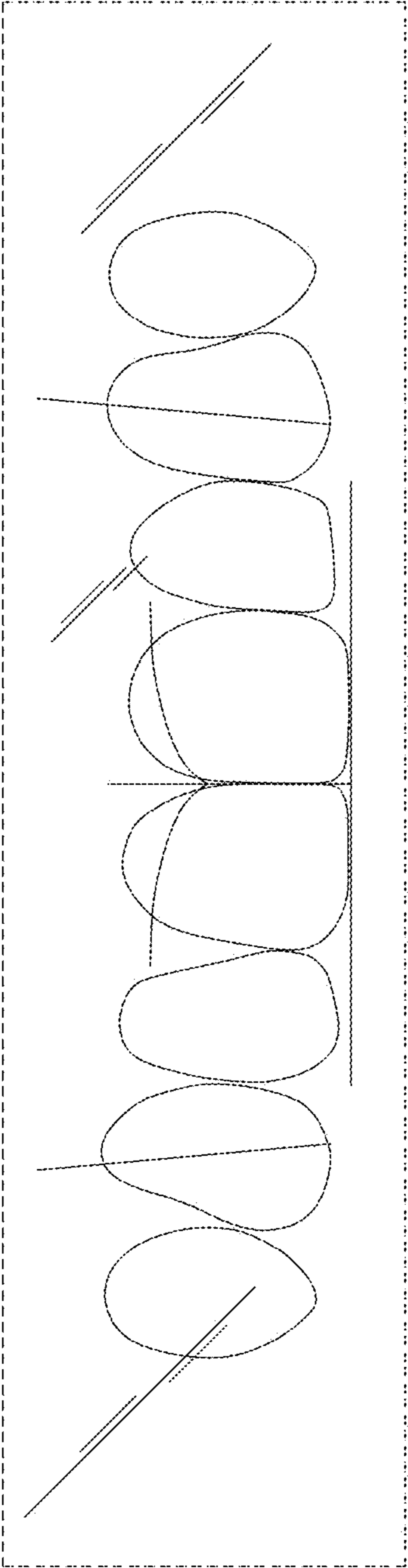


FIG. 2



FIG. 4

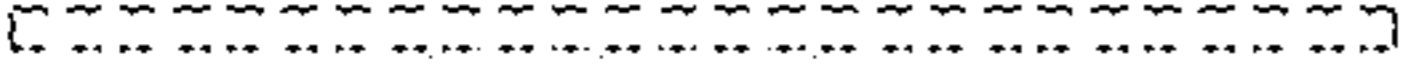


FIG. 3

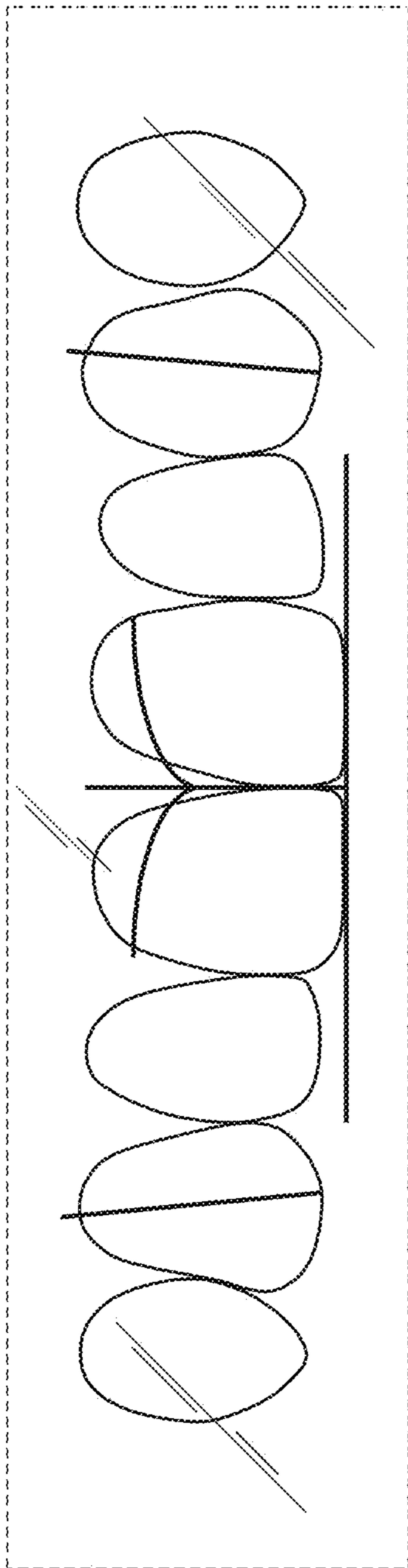


FIG. 5

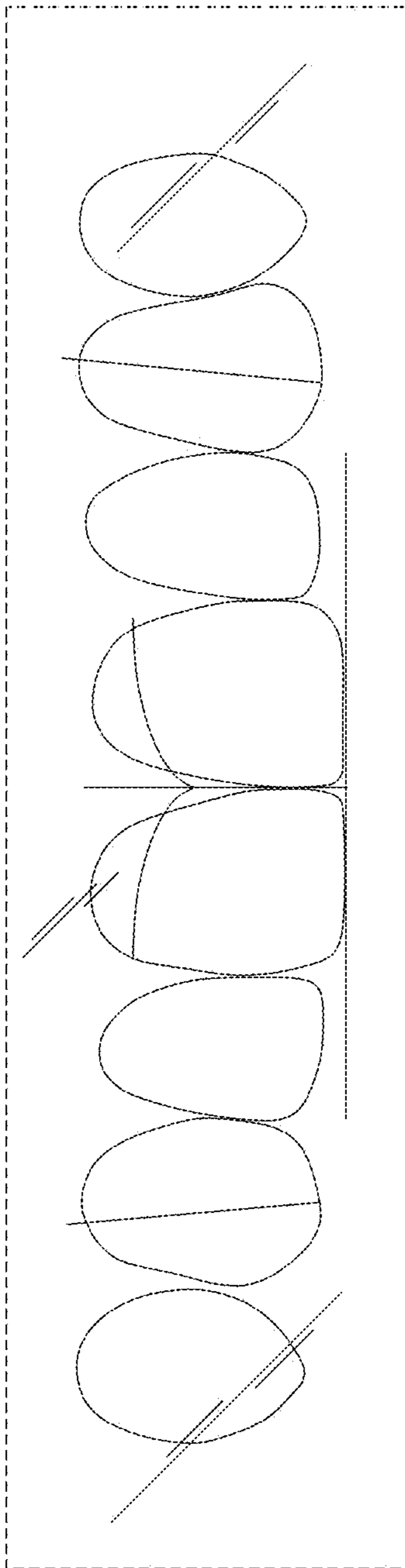


FIG. 6



FIG. 8



FIG. 7

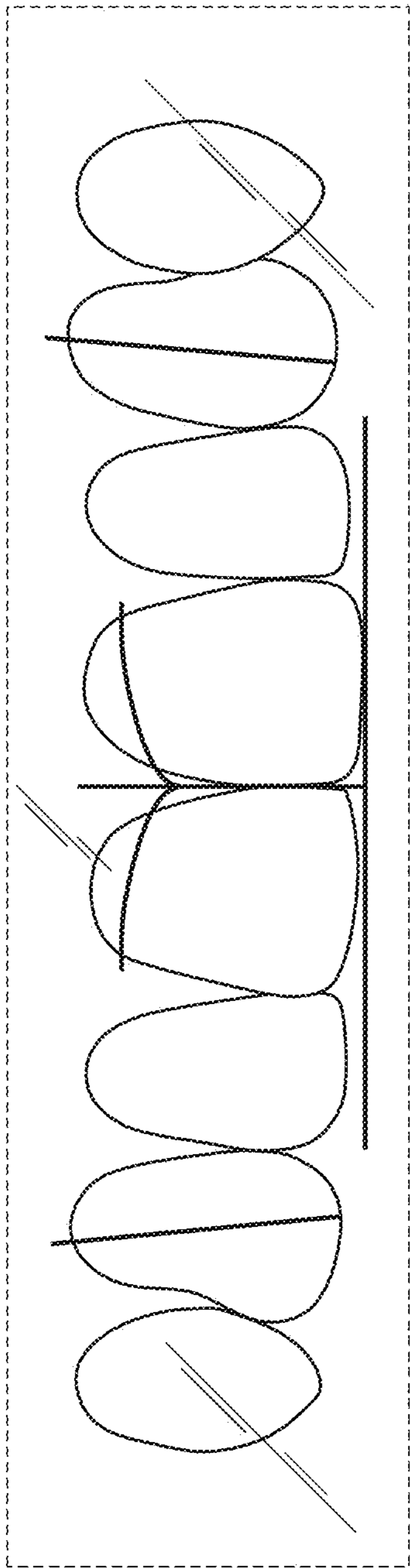


FIG. 9

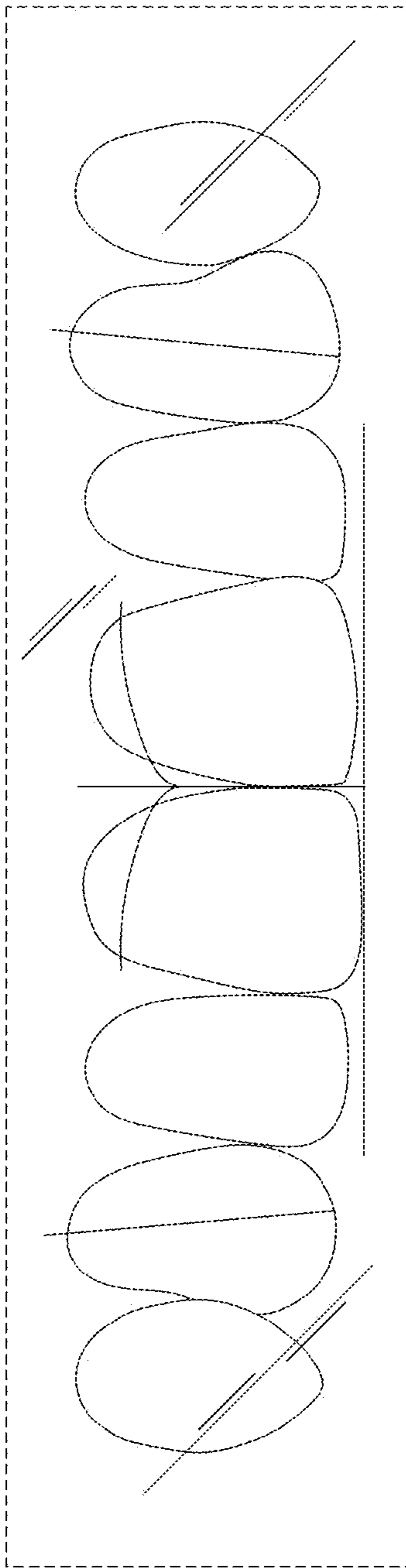


FIG. 10

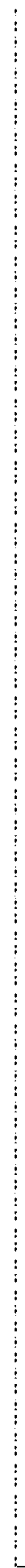


FIG. 12

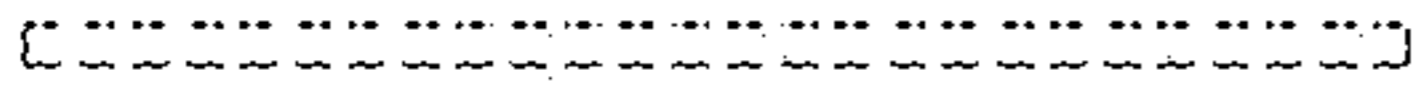


FIG. 11

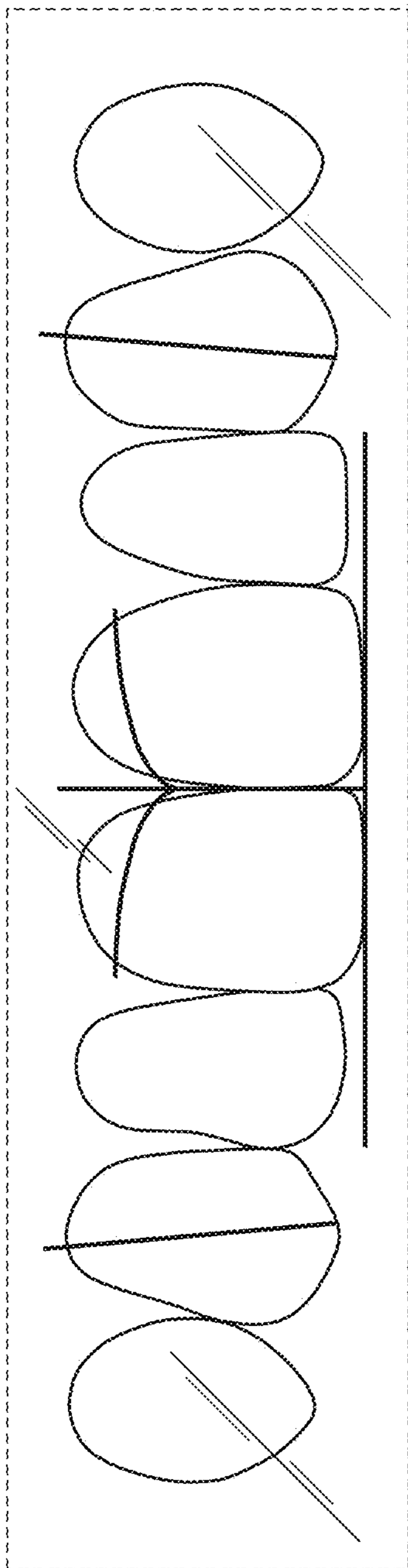


FIG. 13

FIG. 15

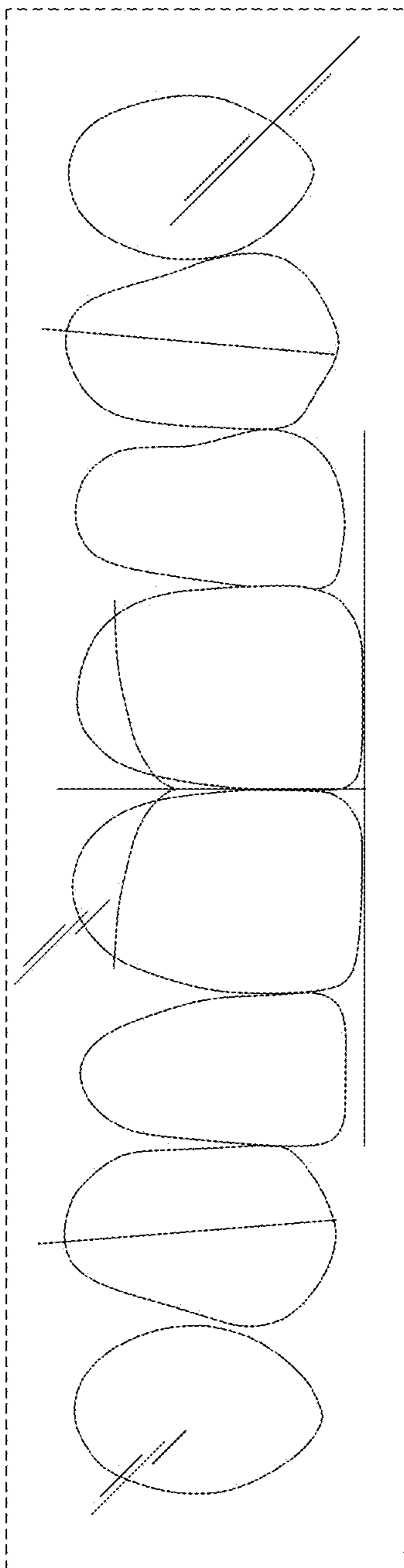


FIG. 14

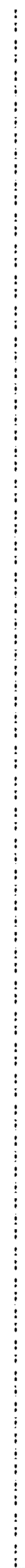


FIG. 16