



US00D940866S

(12) **United States Design Patent** (10) **Patent No.:** **US D940,866 S**  
**Sambandam et al.** (45) **Date of Patent:** **\*\* Jan. 11, 2022**

(54) **TIBIAL TRAY WITH MODULAR POST**

(71) Applicants: **Senthil Nathan Sambandam**,  
Southlake, TX (US); **Varatharaj**  
**Mounasamy**, Irving, TX (US); **Dane K**  
**Wukich**, Dallas, TX (US)

(72) Inventors: **Senthil Nathan Sambandam**,  
Southlake, TX (US); **Varatharaj**  
**Mounasamy**, Irving, TX (US); **Dane K**  
**Wukich**, Dallas, TX (US)

(\*\*) Term: **15 Years**

(21) Appl. No.: **29/748,513**

(22) Filed: **Aug. 29, 2020**

(51) **LOC (13) Cl.** ..... **24-03**

(52) **U.S. Cl.**  
USPC ..... **D24/155**

(58) **Field of Classification Search**  
USPC ..... D24/155  
CPC ..... A61F 2/4081; A61F 2/40; A61F  
2002/30878; A61F 2002/30884; A61F  
2002/30881; A61F 2002/30897; A61F  
2002/30112

See application file for complete search history.

(56) **References Cited**

U.S. PATENT DOCUMENTS

- D285,969 S \* 9/1986 Kinnett ..... D24/155
- 6,165,223 A \* 12/2000 Metzger ..... A61F 2/3886  
623/20.27
- 6,660,039 B1 \* 12/2003 Evans ..... A61F 2/3868  
623/20.29
- D834,192 S \* 11/2018 Lee ..... D24/155
- D835,276 S \* 12/2018 Humphrey ..... D24/155
- 10,195,035 B1 \* 2/2019 Staton ..... A61F 2/30

- 2003/0009232 A1 \* 1/2003 Metzger ..... A61F 2/3868  
623/20.29
- 2003/0153979 A1 \* 8/2003 Hughes ..... A61F 2/3886  
623/20.28
- 2005/0149198 A1 \* 7/2005 Hawkins ..... A61F 2/389  
623/20.14
- 2006/0161259 A1 \* 7/2006 Cheng ..... A61F 2/3868  
623/20.27
- 2017/0290668 A1 \* 10/2017 Zajac ..... A61B 17/1604
- 2019/0038417 A1 \* 2/2019 Yoko ..... A61F 2/3859

\* cited by examiner

*Primary Examiner* — Charles D Hanson

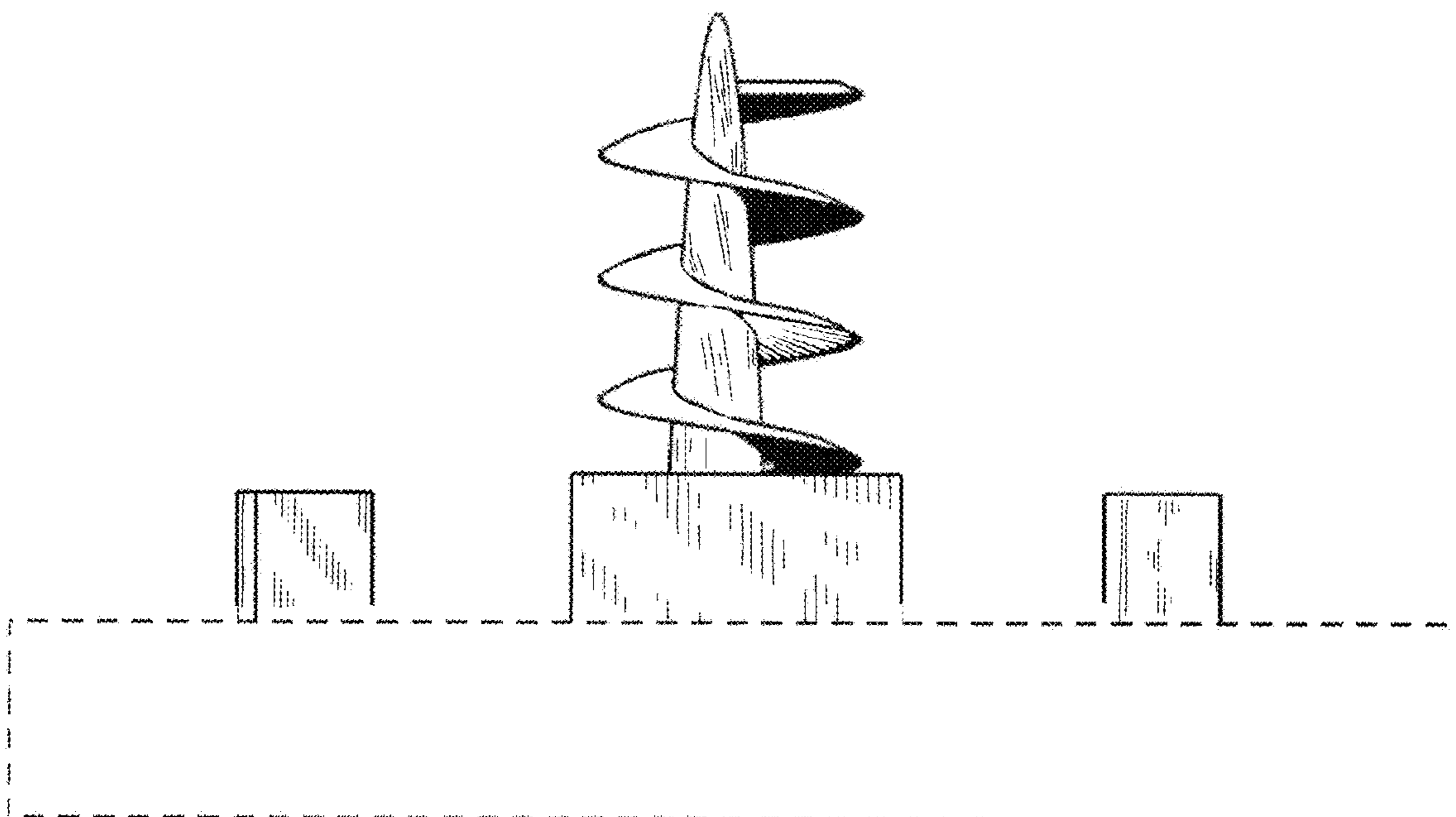
(57) **CLAIM**

We claim the ornamental design of a tibial tray with modular post, as shown and described.

**DESCRIPTION**

FIG. 1 is a plain front view thereof the tibial tray with post showing my new design.  
 FIG. 2 is a plain left side view thereof. The right side being a mirror image.  
 FIG. 3 is a plain rear view thereof the tibial tray with post.  
 FIG. 4 is a plain top view thereof the tibial tray with post showing my new design.  
 FIG. 5 is a perspective top view from front thereof.  
 FIG. 6 is a perspective side view thereof.  
 FIG. 7 is perspective front view from top thereof.  
 FIG. 8 is perspective front quarterturn view thereof.  
 FIG. 9 is perspective front view from bottom thereof.  
 FIG. 10 is perspective rear view from bottom thereof; and,  
 FIG. 11 is perspective front exploded view thereof.  
 The broke line showing the environment in the figures are for illustrative purposes only and form no part of the claimed design.

**1 Claim, 11 Drawing Sheets**



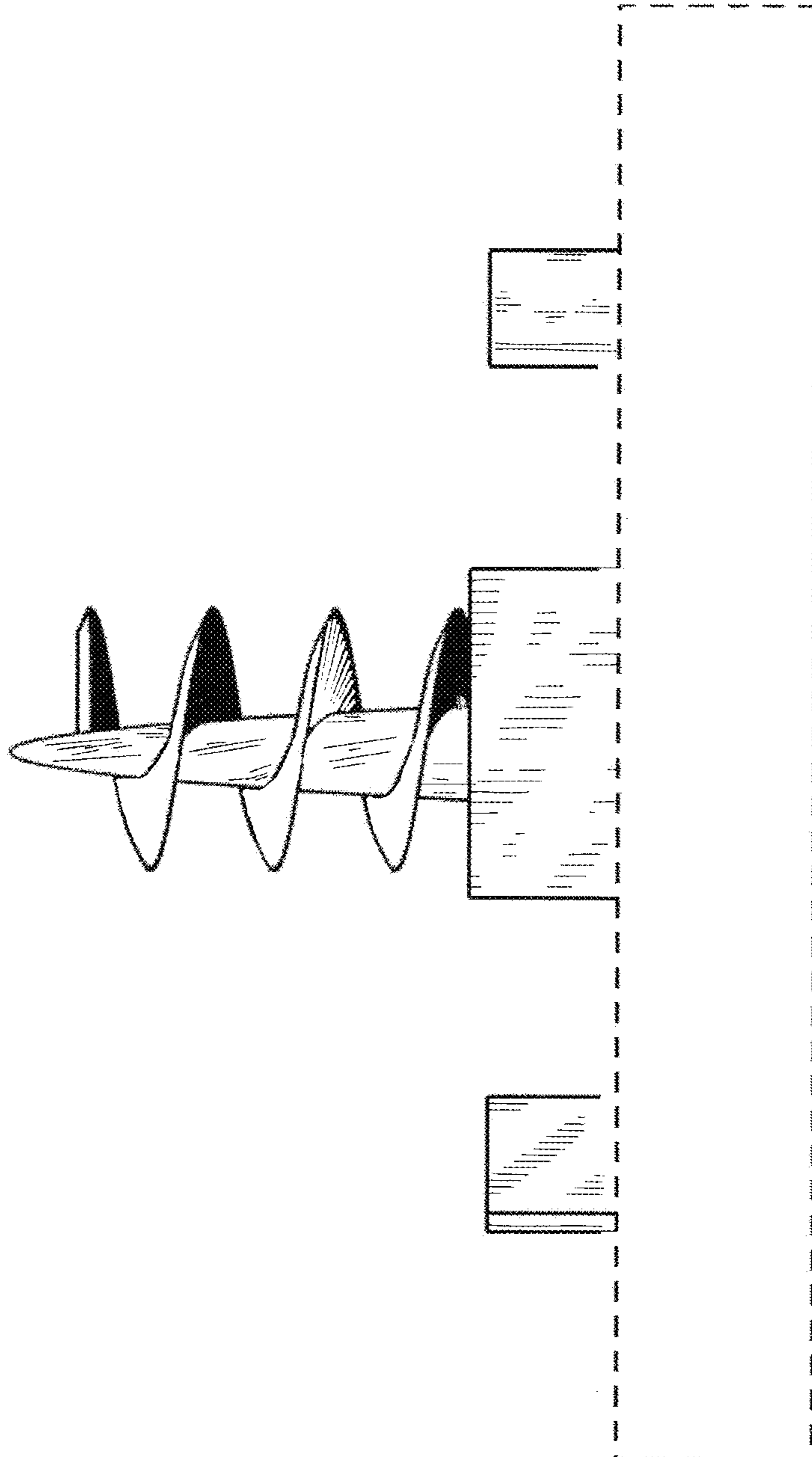


FIG. 1

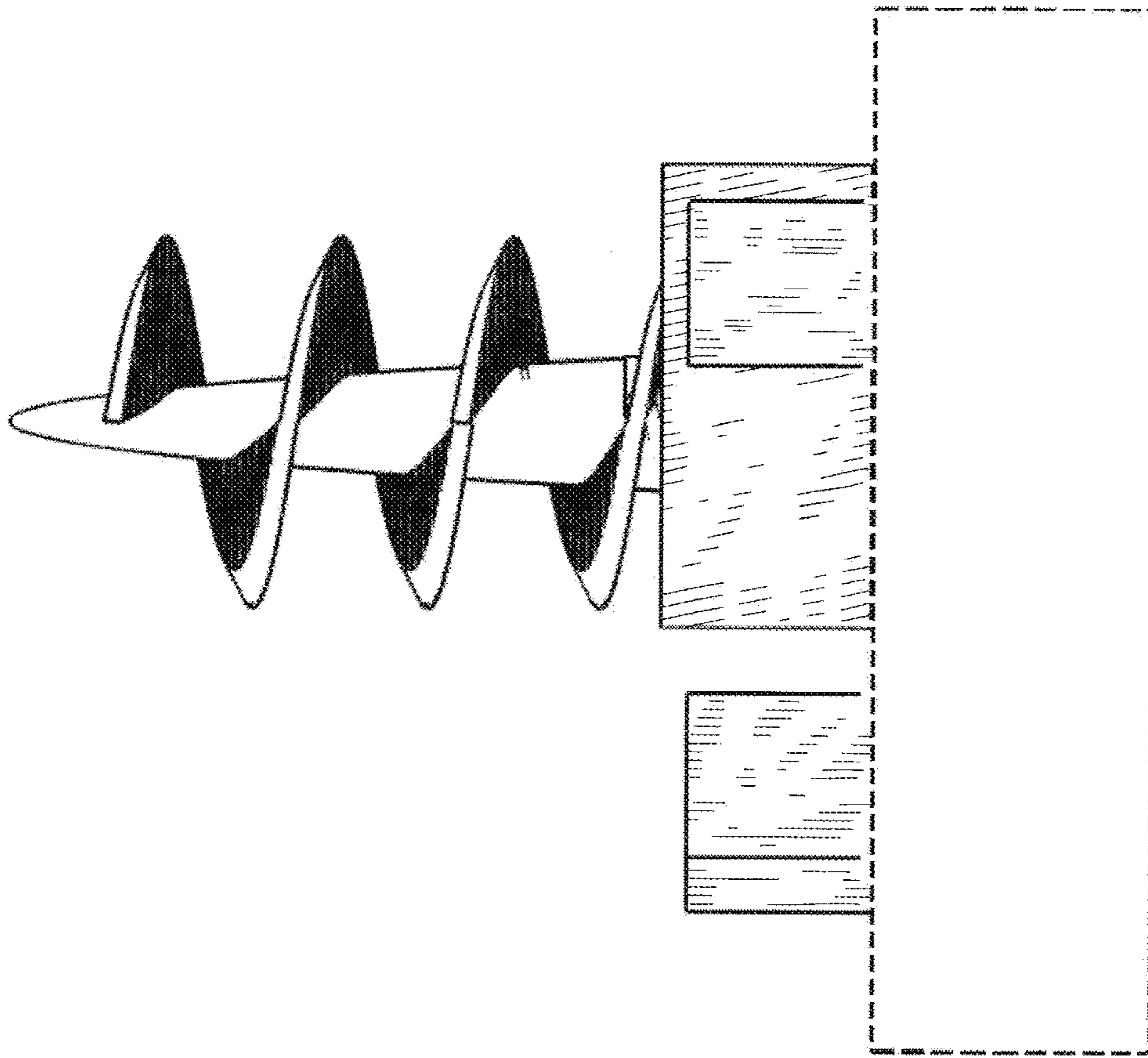


FIG. 2

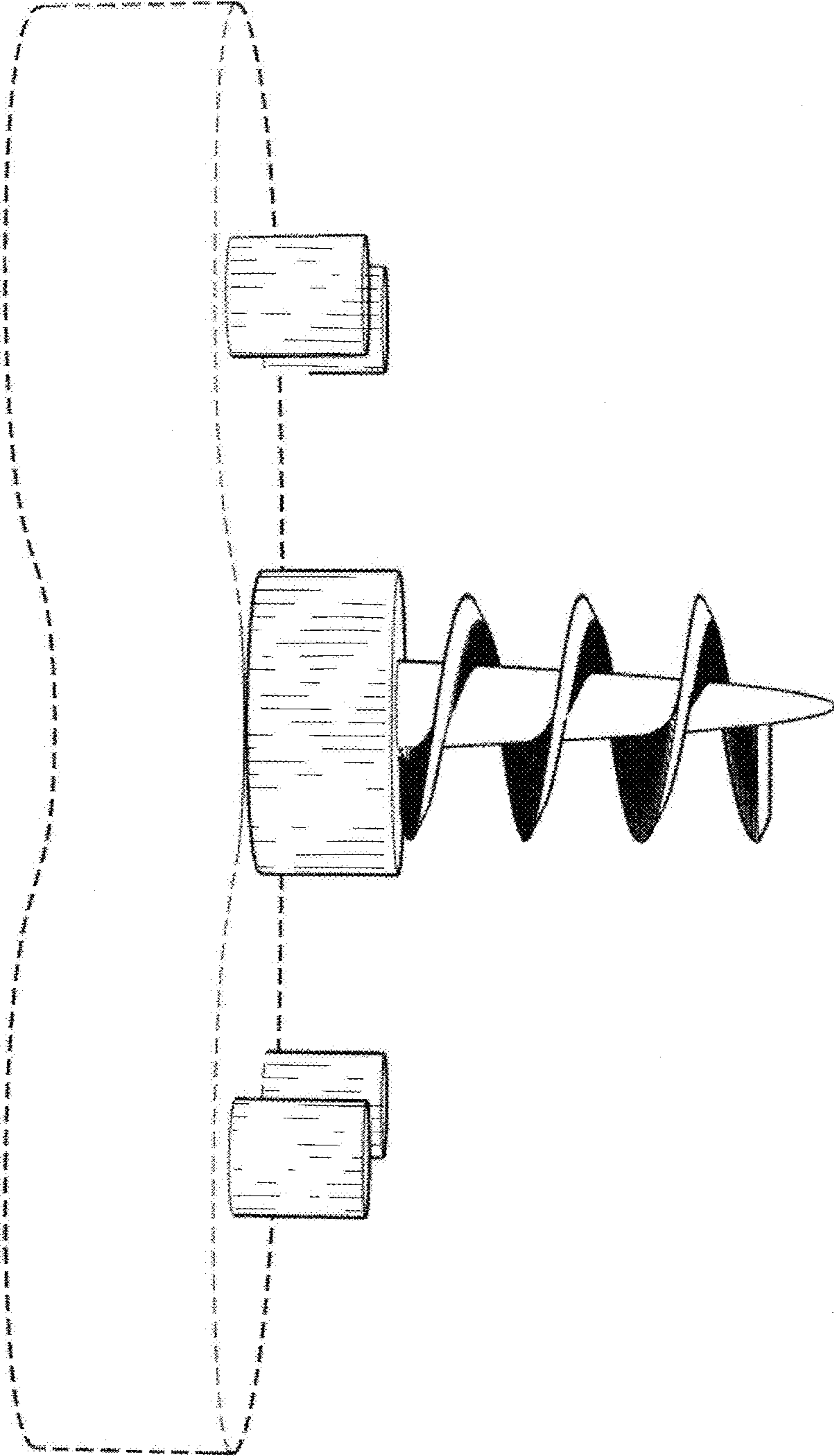


FIG. 3

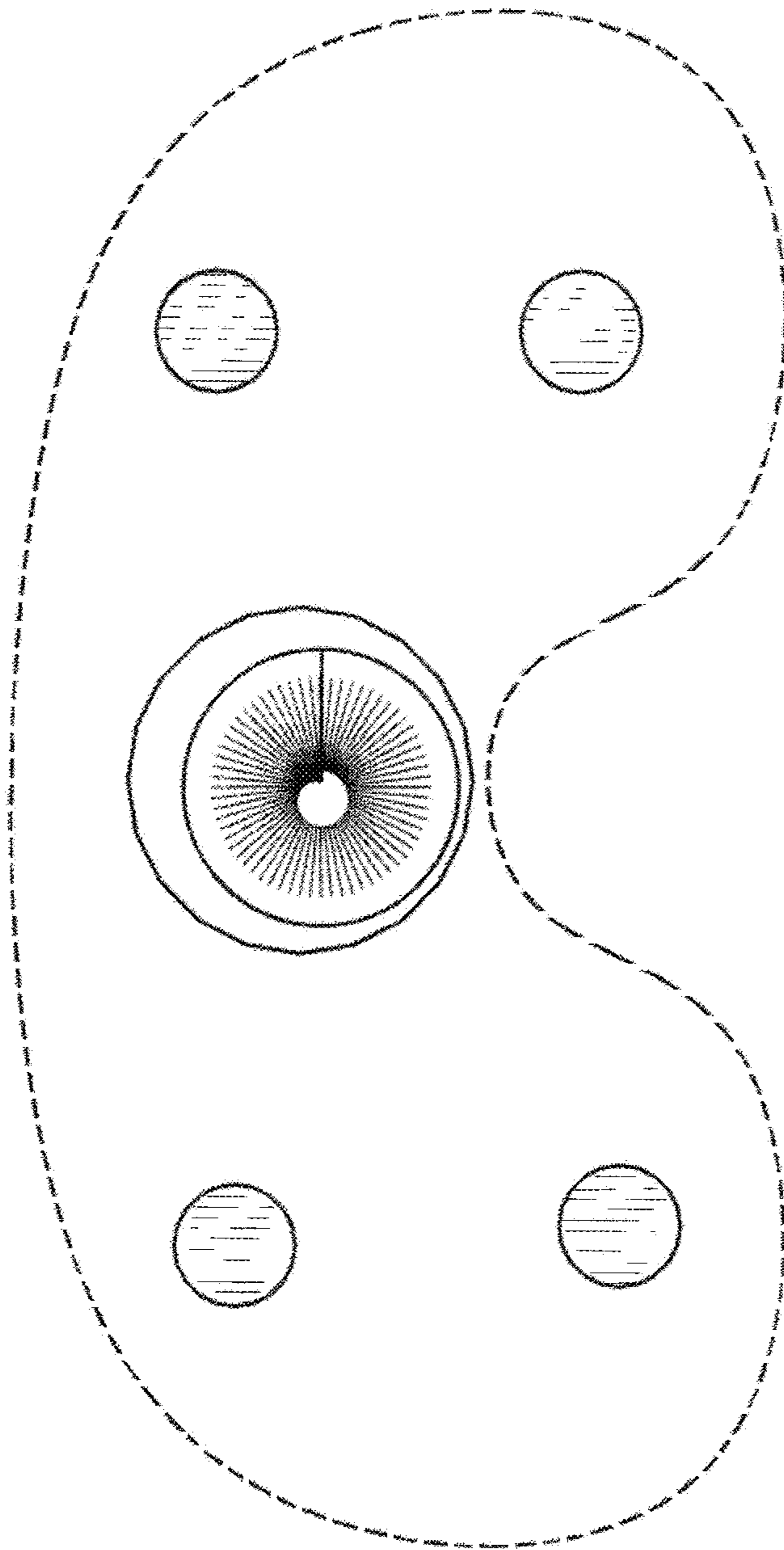


FIG. 4

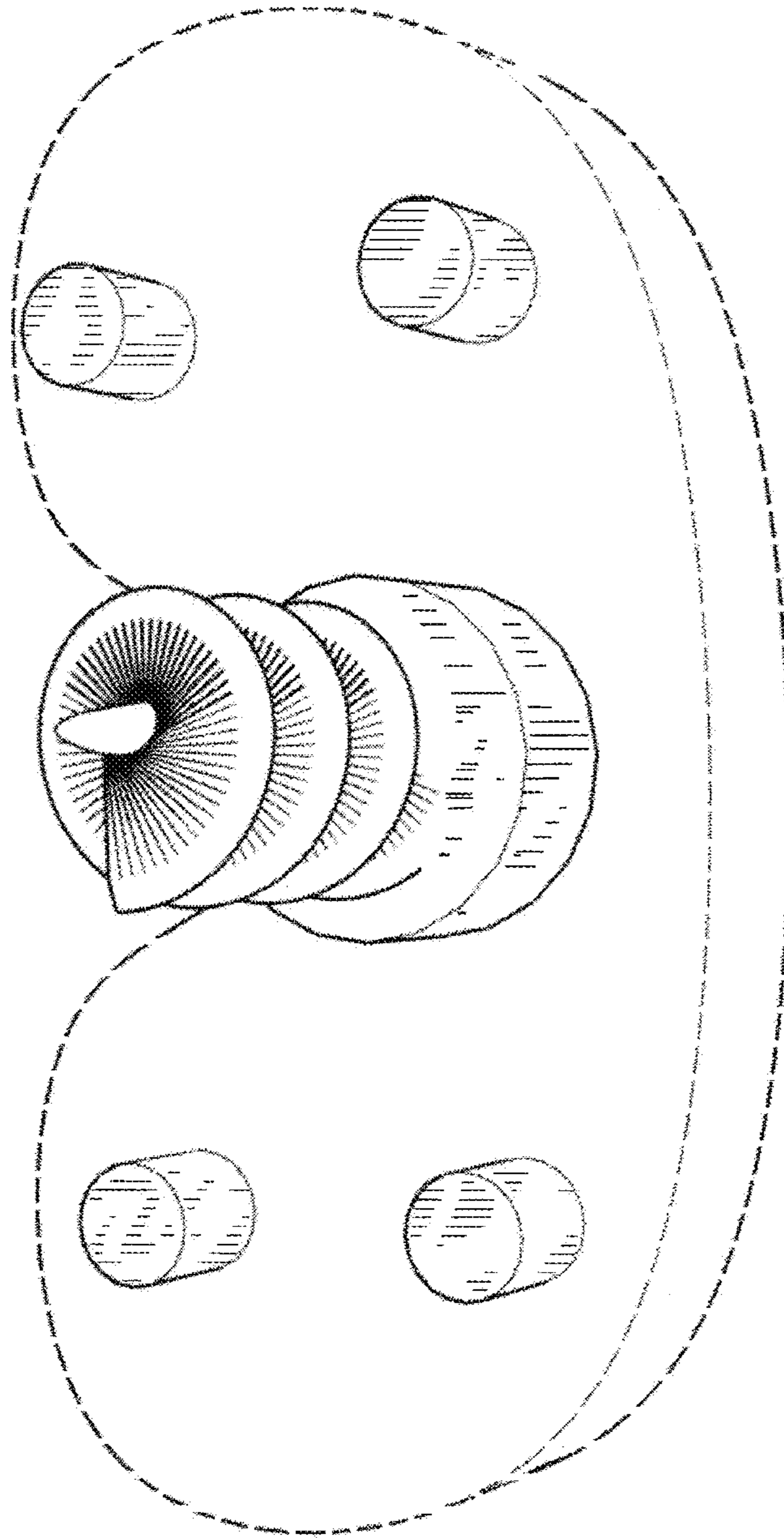


FIG. 5

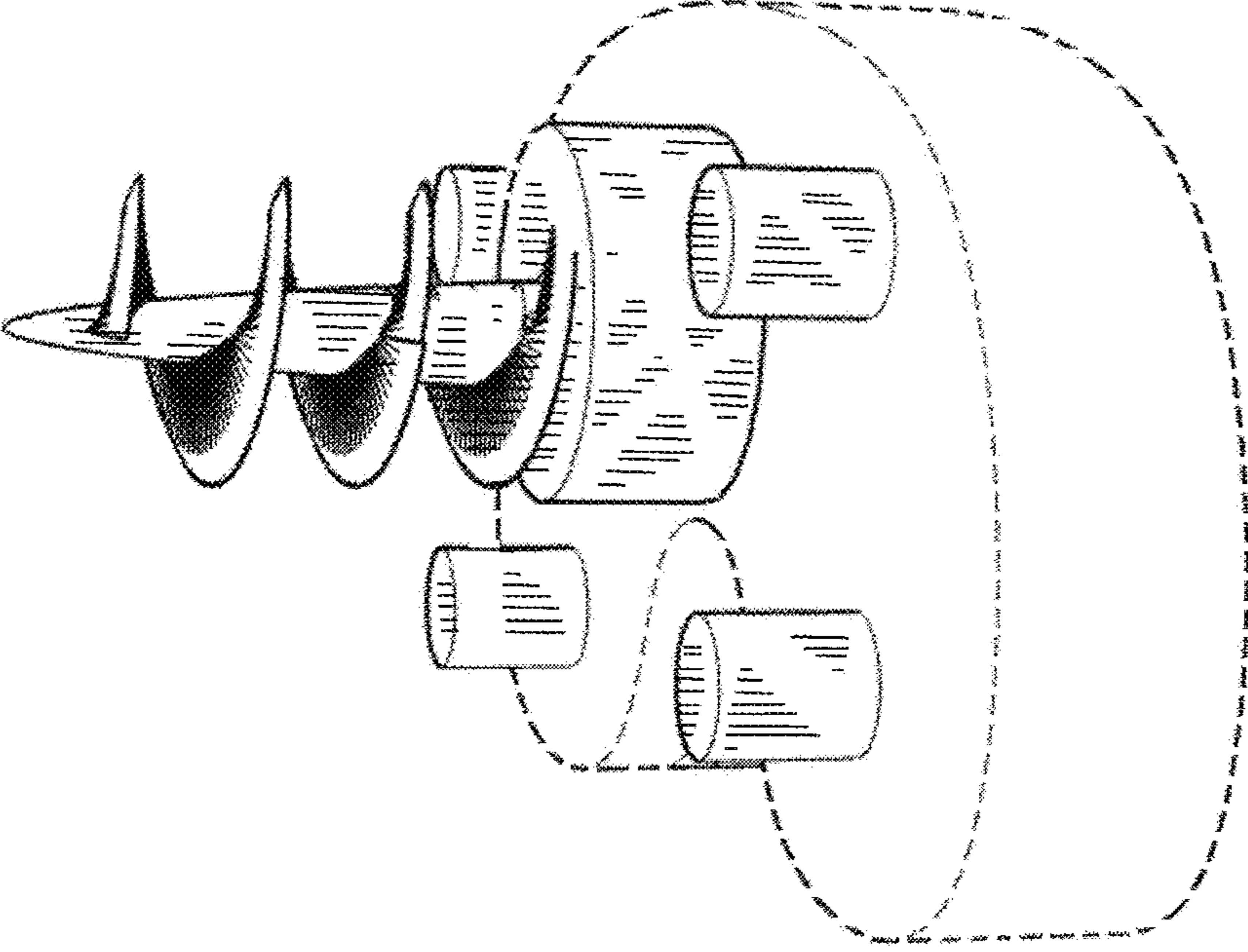


FIG. 6

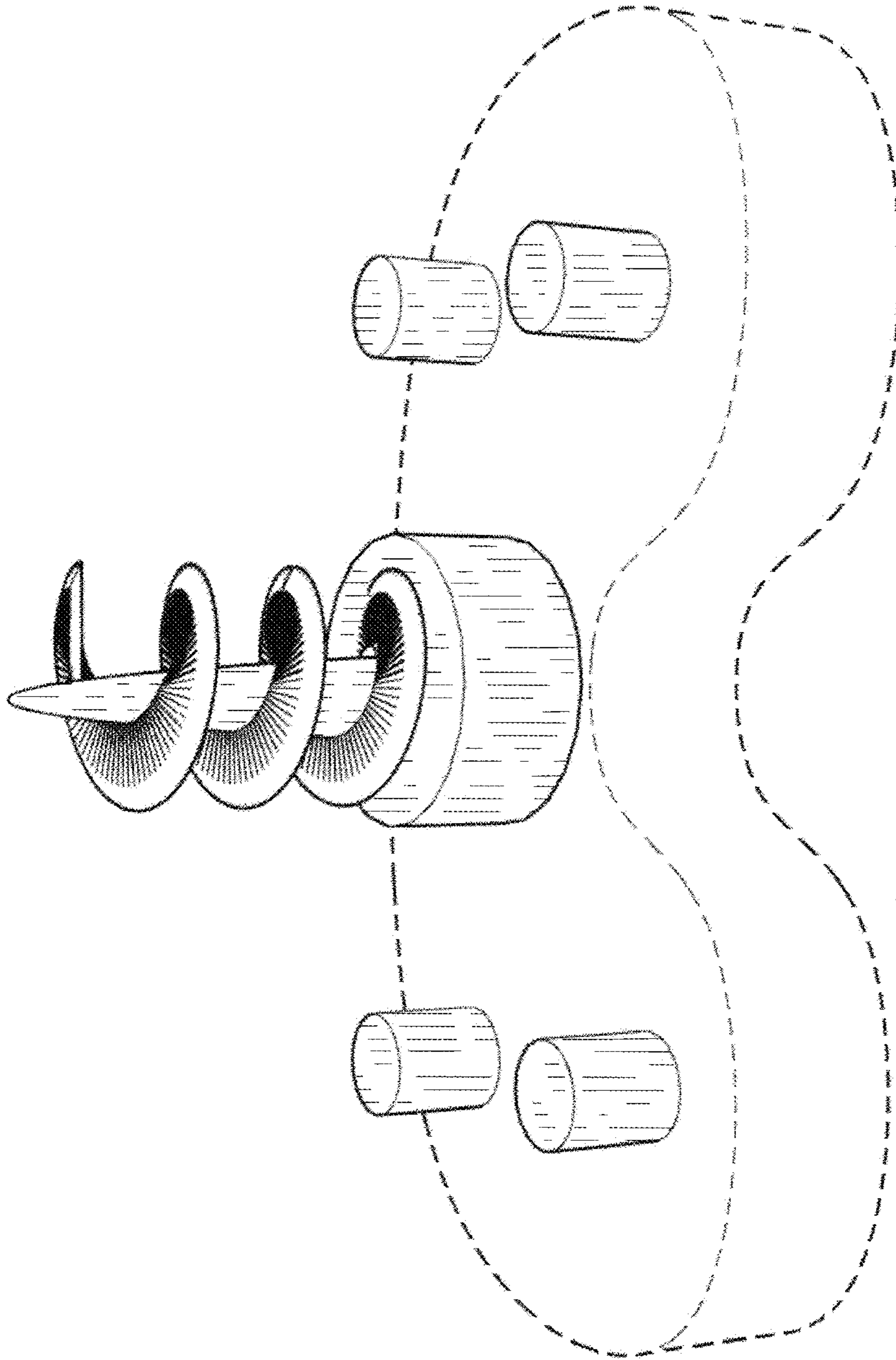


FIG. 7



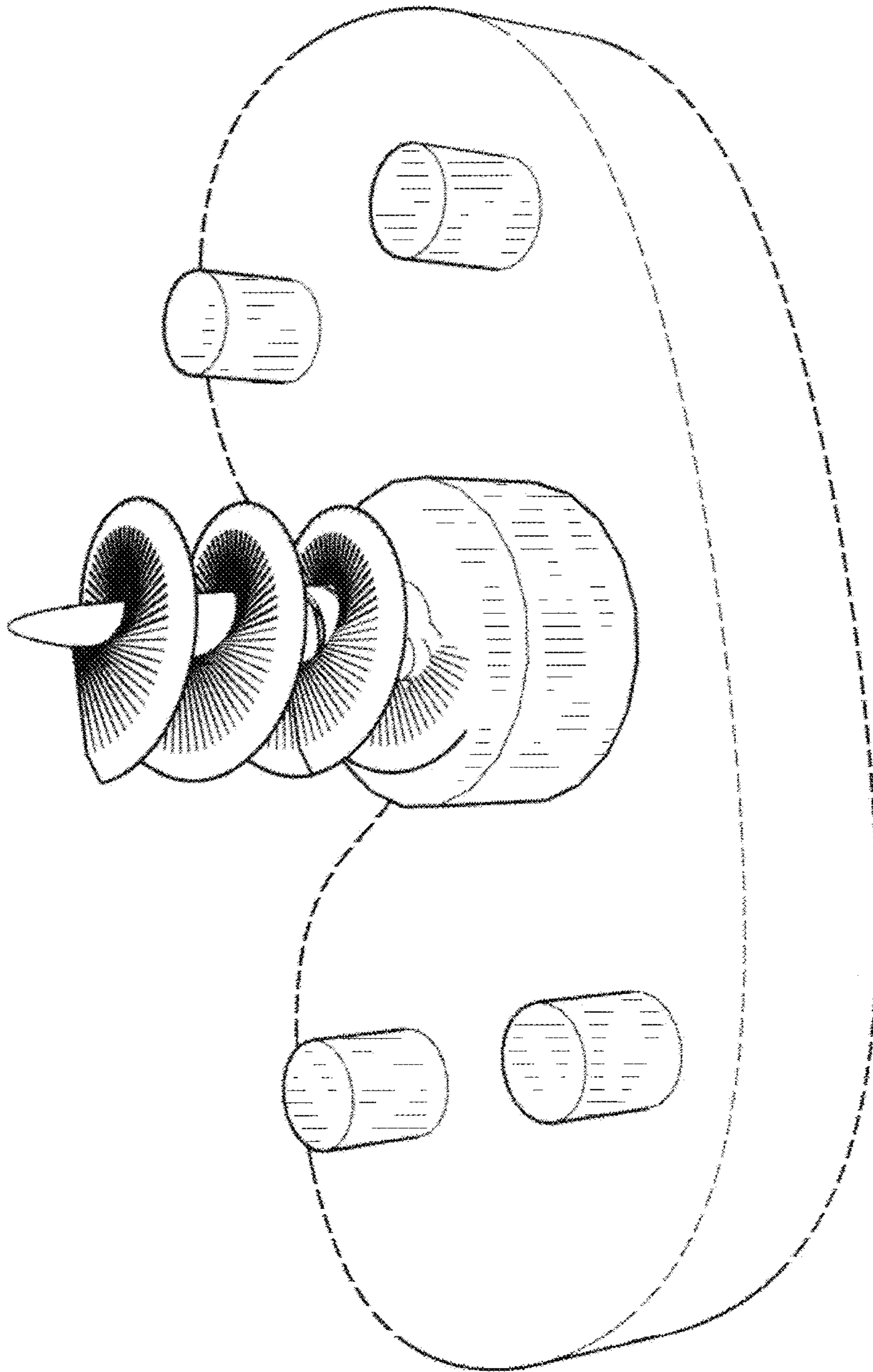


FIG. 8

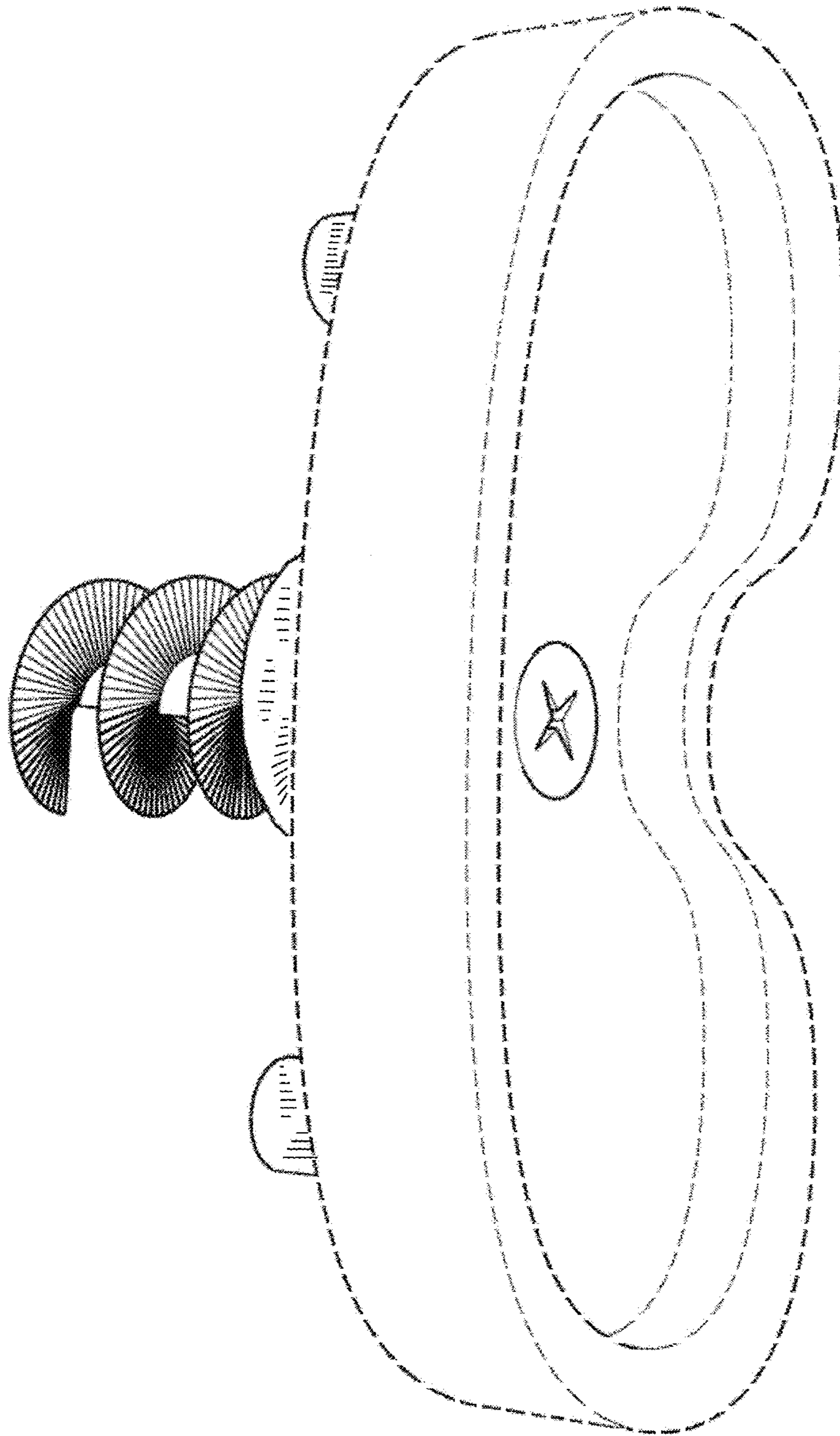


FIG. 9

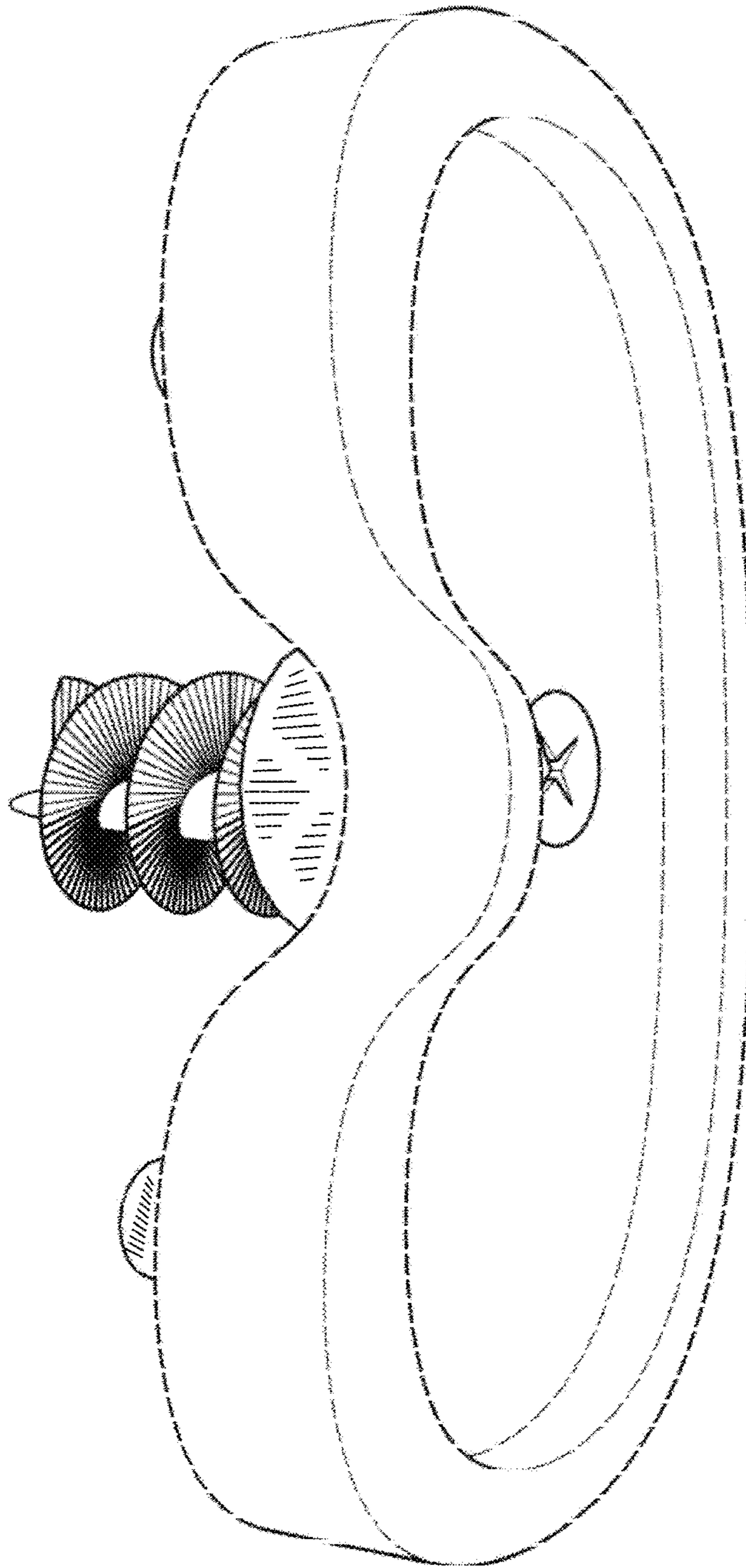


FIG. 10

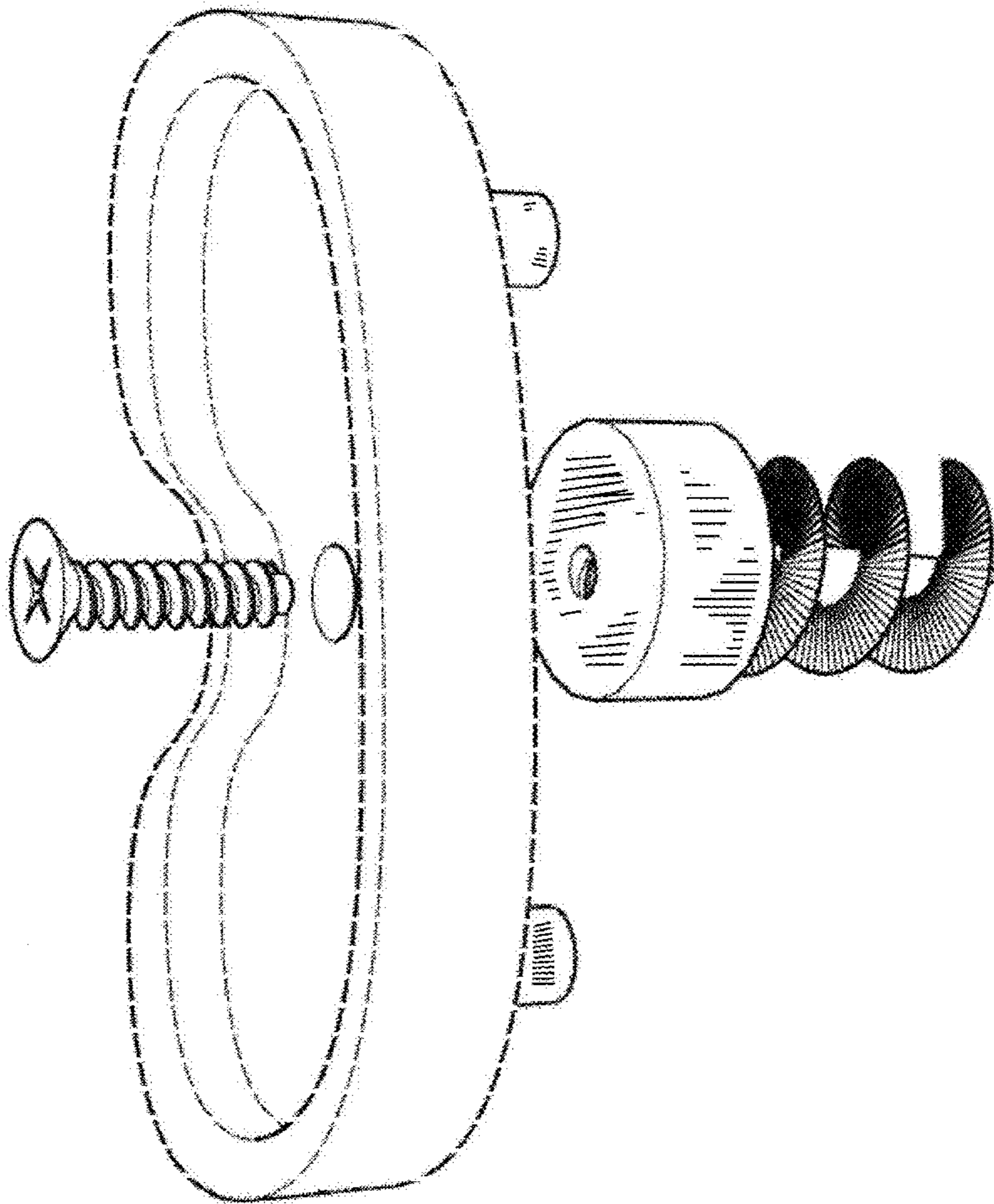


FIG. 11