



US00D940864S

(12) **United States Design Patent**
Pitsillides et al.

(10) **Patent No.:** **US D940,864 S**

(45) **Date of Patent:** **** Jan. 11, 2022**

(54) **CIRCULAR SUTURE RETENTION PAD**

(71) Applicant: **Transonic Systems Inc.**, Ithaca, NY
(US)

(72) Inventors: **Kyriacos Pitsillides**, Davis, CA (US);
Philip Chadwick Hodgson, Ingersoll
(CA); **Geoffrey Kim Wood**, London
(CA); **Peter David Plouf**, London
(CA); **Kyle Gary Fricke**, Ilderton
(CA); **Morteza Heydari Araghi**,
London (CA)

(73) Assignee: **Transonic Systems Inc.**, Ithaca, NY
(US)

(**) Term: **15 Years**

(21) Appl. No.: **29/662,272**

(22) Filed: **Sep. 4, 2018**

(51) **LOC (13) Cl.** **24-02**

(52) **U.S. Cl.**
USPC **D24/145**

(58) **Field of Classification Search**
USPC D24/145, 127-128; D8/354; 606/232,
606/148
CPC A61B 17/0401; A61B 17/0404; A61B
17/0487; A61B 2017/0404
See application file for complete search history.

(56) **References Cited**

U.S. PATENT DOCUMENTS

4,210,148	A *	7/1980	Stivala	A61B 17/0466	606/232
D265,972	S *	8/1982	Black	D24/145	
D343,319	S *	1/1994	Phillips	D24/145	
D626,231	S *	10/2010	Perchik	D24/145	
7,867,253	B2 *	1/2011	McMichael	A61B 17/0487	606/232
8,062,333	B2 *	11/2011	Jervis	A61B 17/0487	606/232

9,011,490	B2 *	4/2015	Frankland	A61B 17/0487	606/232
9,566,057	B2 *	2/2017	Gadlage	A61B 17/0487	
10,925,716	B2 *	2/2021	Santangelo	A61F 2/0811	
2009/0062853	A1 *	3/2009	McMichael	A61B 17/0487	606/232
2012/0078299	A1 *	3/2012	Clamote	A61B 17/0218	606/232
2016/0128683	A1 *	5/2016	Denham	A61B 17/0401	606/232

(Continued)

Primary Examiner — Wan Laymon

(74) *Attorney, Agent, or Firm* — Brian B. Shaw, Esq.;
Harter Secrest & Emery LLP

(57) **CLAIM**

We claim the ornamental design for a circular suture retention pad, as shown and described.

DESCRIPTION

FIG. 1 is a perspective view of a circular suture retention pad showing our new design.

FIG. 2 is an enlarged perspective view of the portion of the design of FIG. 1 within the circle labeled FIG. 2.

FIG. 3 is a rear elevational view of the circular suture retention pad of FIG. 1.

FIG. 4 is a front elevational view of the circular suture retention pad of FIG. 1.

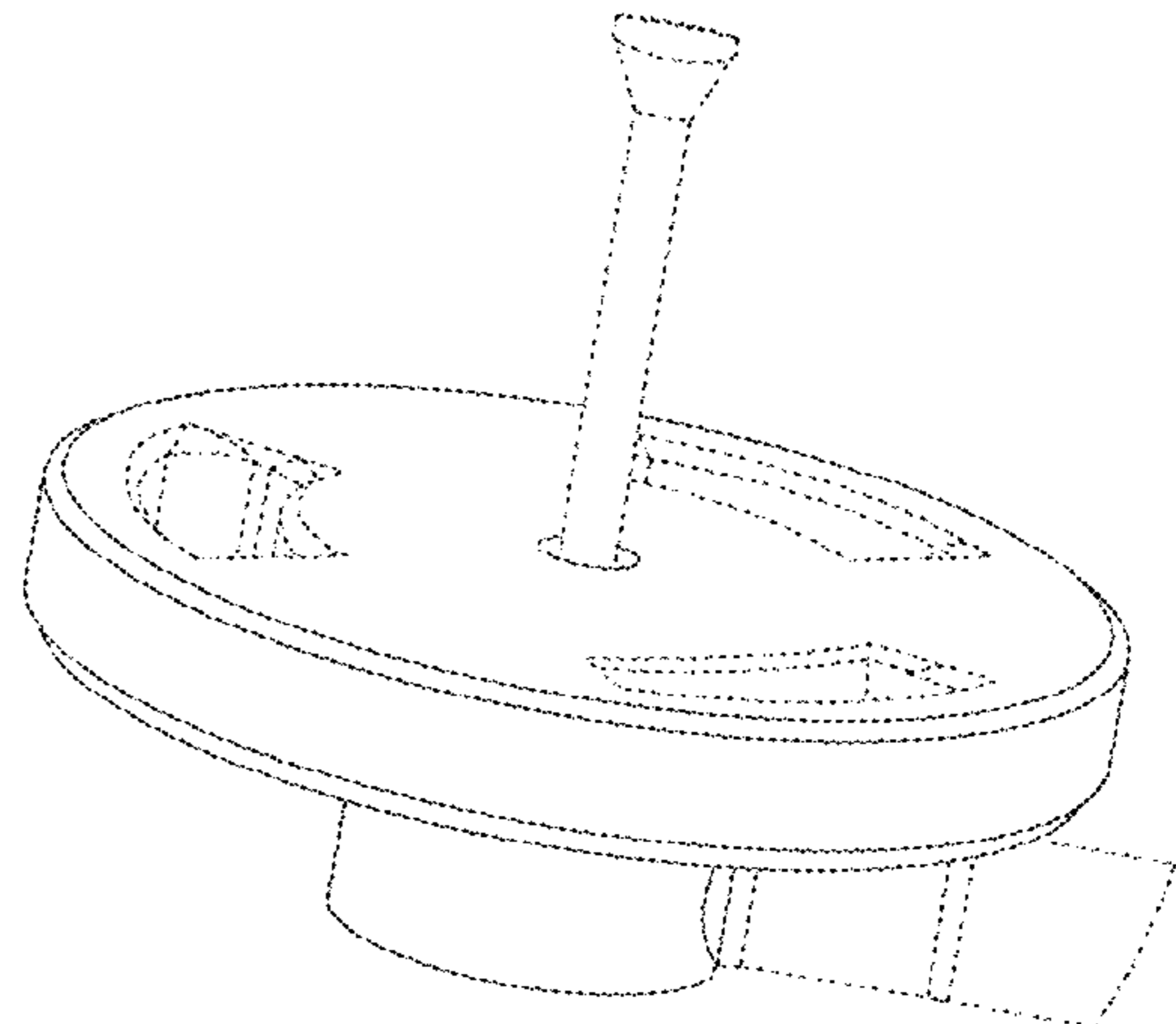
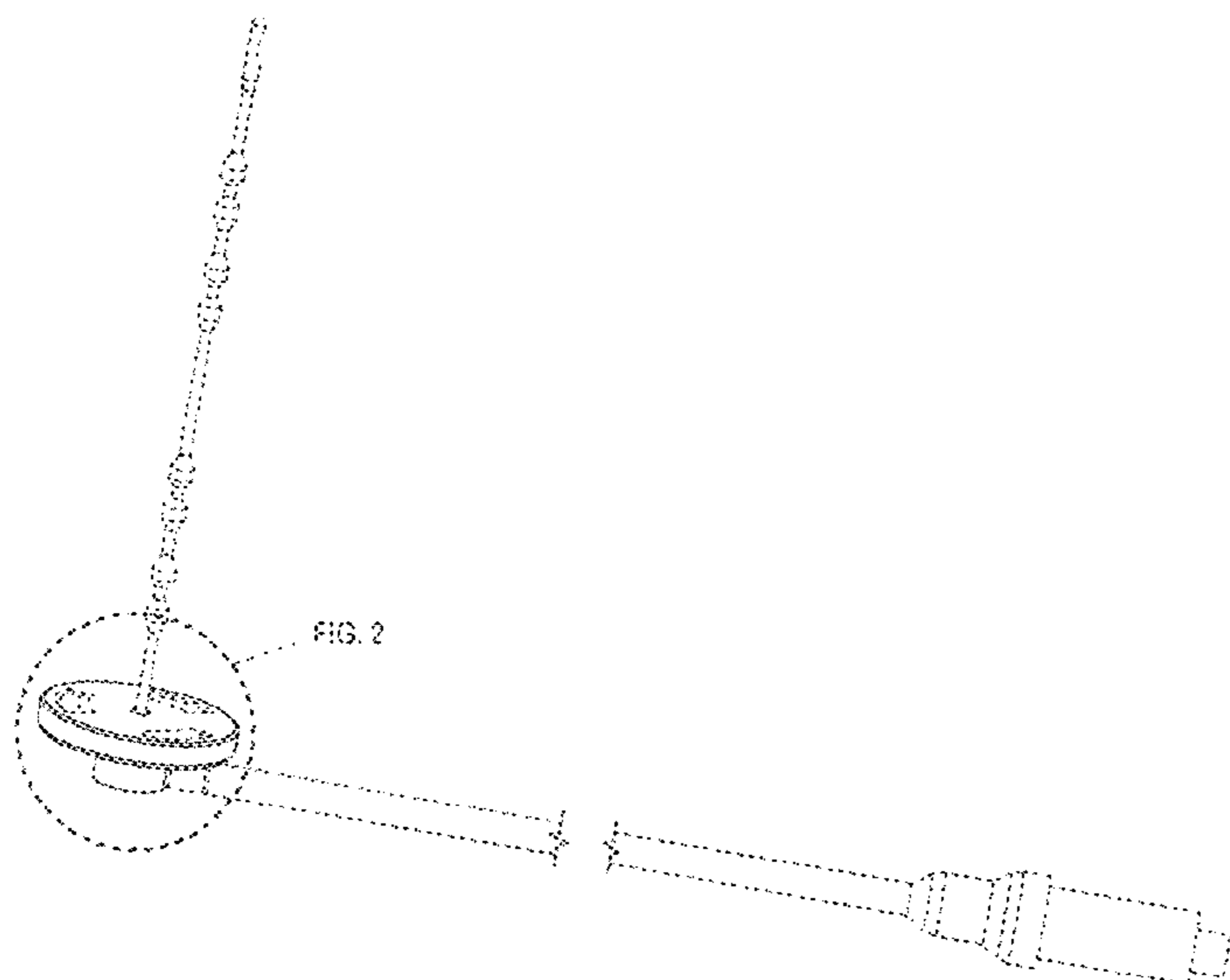
FIG. 5 is a bottom plan view of the circular suture retention pad of FIG. 1.

FIG. 6 is a top plan view of the circular suture retention pad of FIG. 1; and,

FIG. 7 is a left side elevational view of the circular suture retention pad of FIG. 1, wherein the right side elevational view is a mirror image thereof.

The broken lines of parallel zig-zag represent fragmentation of portions in broken lines. The remaining broken lines illustrate portions of the circular suture retention pad that form no part of the claimed design.

1 Claim, 4 Drawing Sheets



(56)

References Cited

U.S. PATENT DOCUMENTS

2018/0185136 A1* 7/2018 Kam A61B 17/0401
2021/0068810 A1* 3/2021 Federspiel A61B 17/0401

* cited by examiner

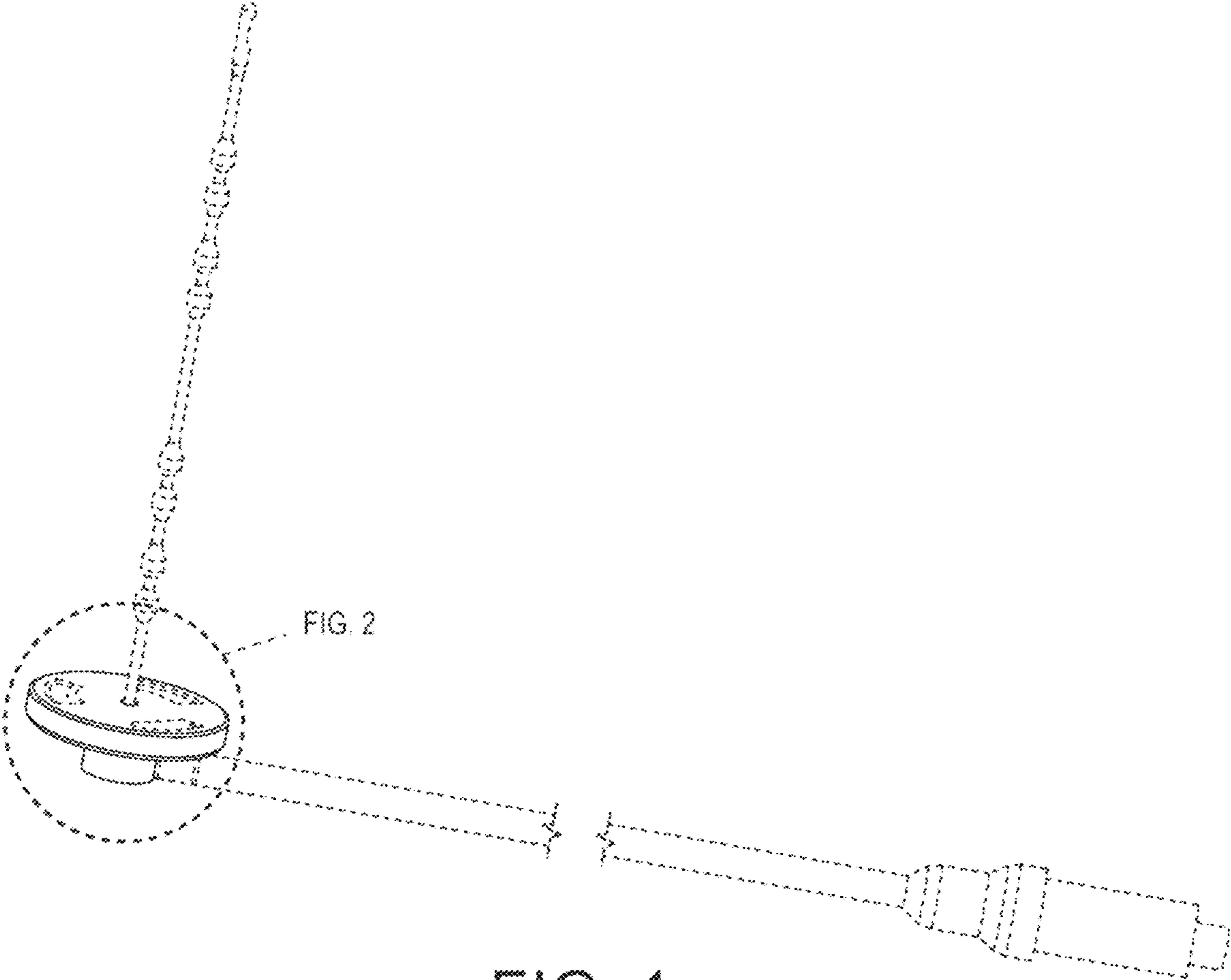


FIG. 1

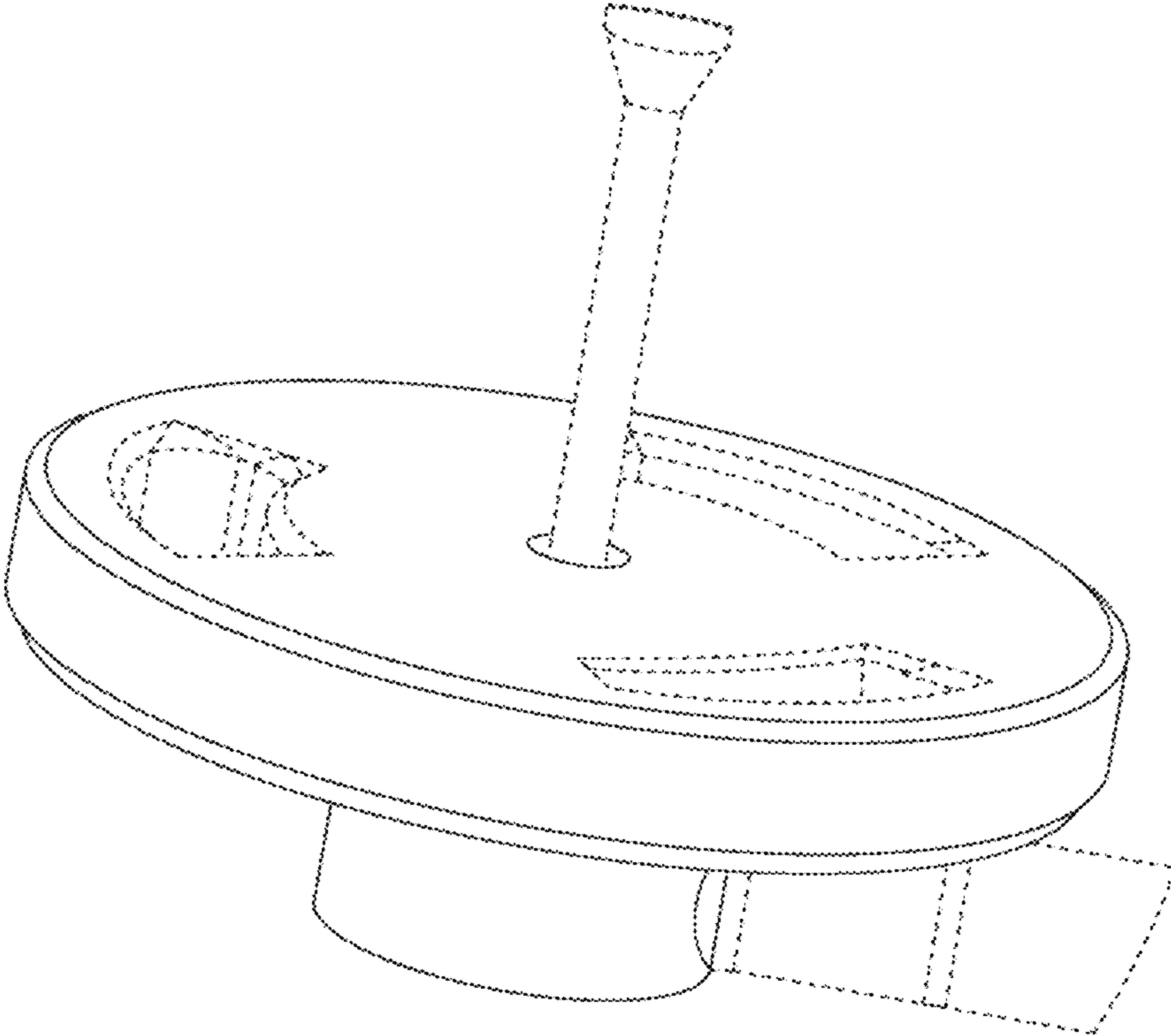


FIG. 2

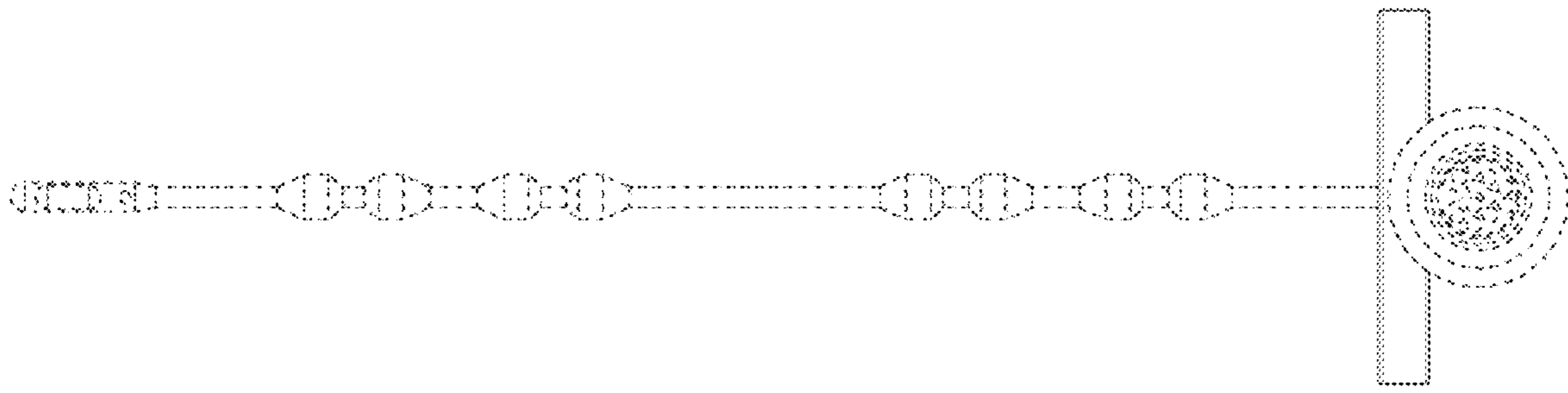


FIG. 3

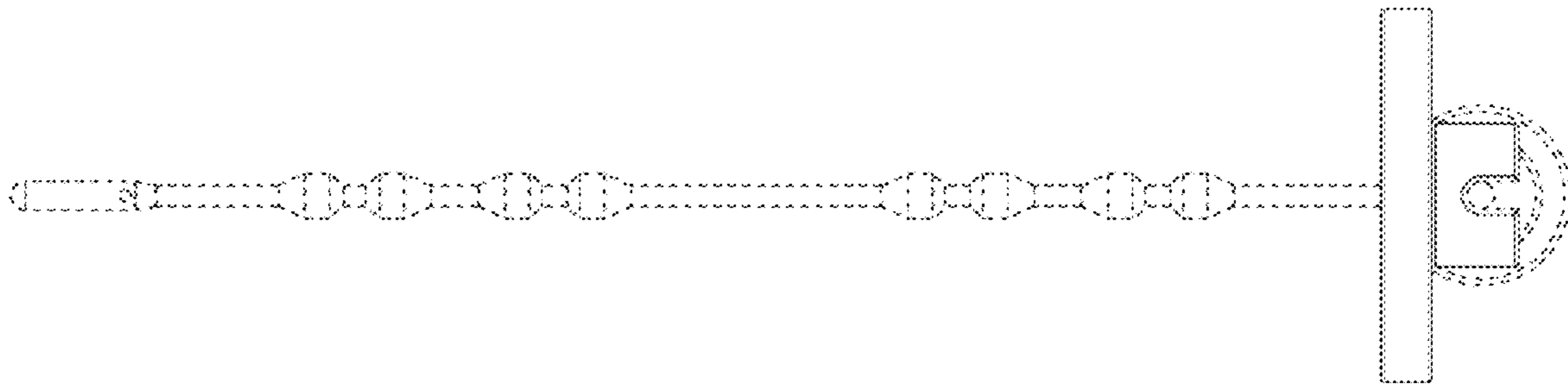


FIG. 4

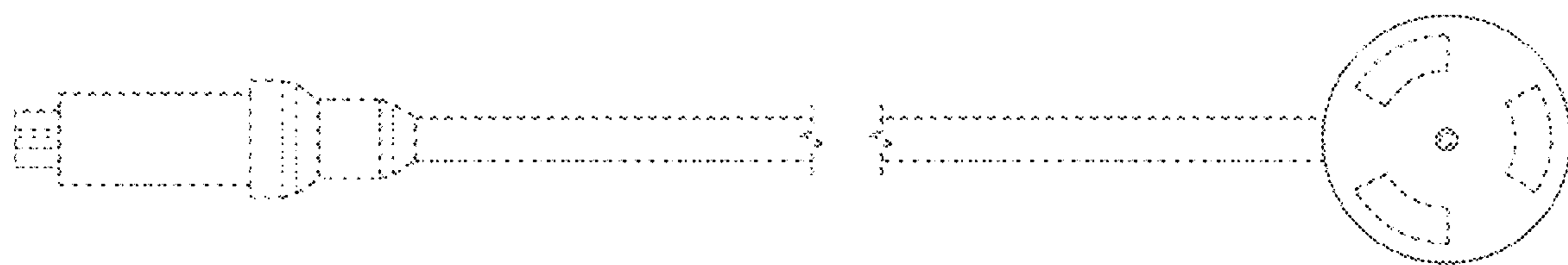


FIG. 5

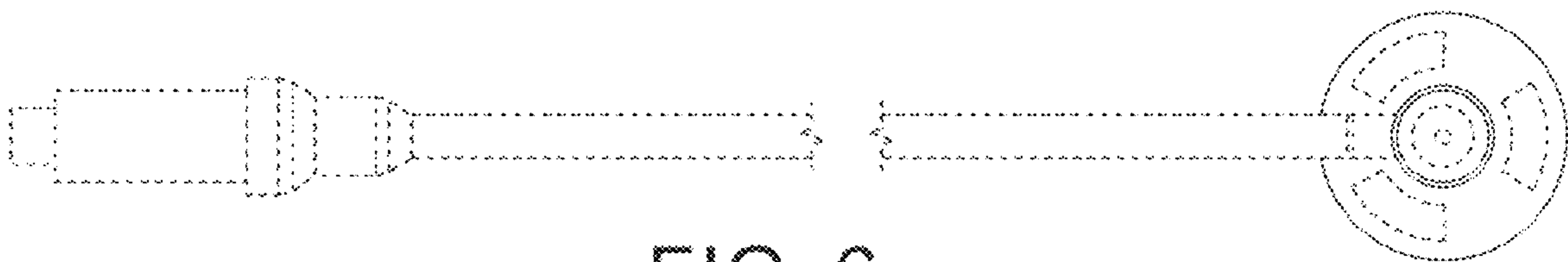


FIG. 6

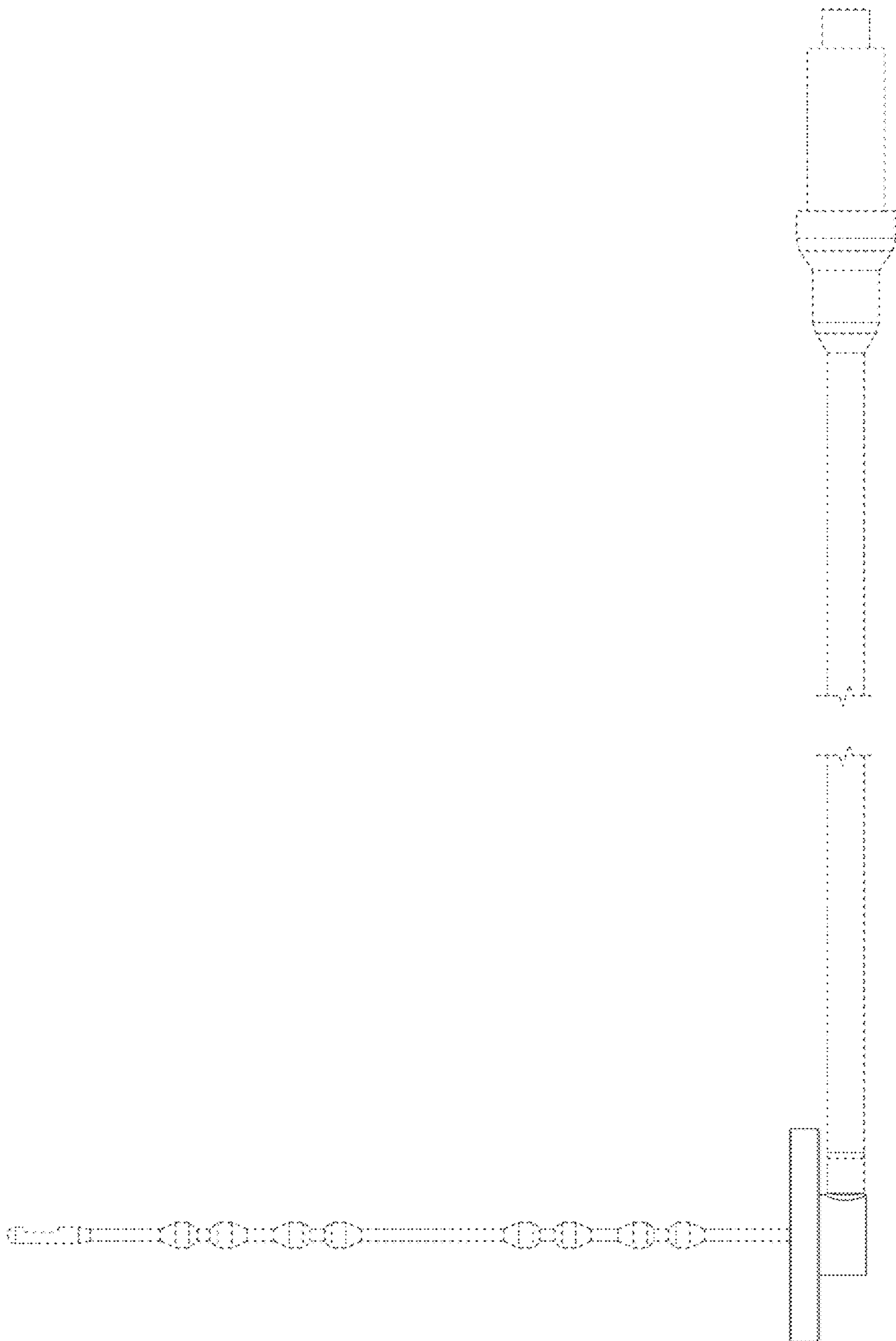


FIG. 7