



US00D940862S

(12) **United States Design Patent**
Kawanishi

(10) **Patent No.:** **US D940,862 S**

(45) **Date of Patent:** **** Jan. 11, 2022**

(54) **BODY OF CAMERA FOR MEDICAL USE**

(71) Applicant: **OLYMPUS CORPORATION**, Tokyo
(JP)

(72) Inventor: **Yui Kawanishi**, Hachioji (JP)

(73) Assignee: **OLYMPUS CORPORATION**, Tokyo
(JP)

(**) Term: **15 Years**

(21) Appl. No.: **29/699,870**

(22) Filed: **Jul. 30, 2019**

(51) **LOC (13) Cl.** **24-02**

(52) **U.S. Cl.**
USPC **D24/138**

(58) **Field of Classification Search**
USPC D24/108, 112, 117-118, 132, 133, 137,
D24/138, 222; D16/200, 202-206, 208,
D16/218, 219; 348/347, 373-376;
396/535, 539-541; 600/49, 109, 137,
600/145-147

CPC G03B 15/03; G03B 17/02; G03B 17/04;
G03B 17/56; G03B 19/04; H04N 5/2251;
H04N 5/2252; H04N 5/2253; H04N
5/2254; H04N 2101/00; H04N 5/33;
H04N 5/332; A61B 1/000183; A61B
1/00; A61B 1/00039; A61B 1/00052;
A61B 18/14; A61B 18/1445

See application file for complete search history.

(56) **References Cited**

U.S. PATENT DOCUMENTS

D551,762 S * 9/2007 Root D24/133
D587,804 S * 3/2009 Ruiz D16/202

D651,312 S * 12/2011 Halleck D24/138
D775,334 S * 12/2016 Hayamizu D24/138
D791,310 S * 7/2017 Maurice D24/129
D799,036 S * 10/2017 Osada D24/138
D812,748 S * 3/2018 Funakoshi D24/133
D827,131 S * 8/2018 Hayamizu D24/129
D842,465 S * 3/2019 Osada D24/138
D842,992 S * 3/2019 Osada D24/138
D870,886 S * 12/2019 Funakoshi D24/138
D872,860 S * 1/2020 Funakoshi D24/138

* cited by examiner

Primary Examiner — Ramzi Almatrahi

(74) *Attorney, Agent, or Firm* — Scully, Scott, Murphy &
Presser, P.C.

(57) **CLAIM**

The ornamental design for a body of camera for medical use,
as shown and described.

DESCRIPTION

FIG. 1 is a top, front and right side perspective view of a
body of camera for medical use showing my new design;
FIG. 2 is a rear and left side perspective view thereof;
FIG. 3 is a front elevation view thereof;
FIG. 4 is a rear elevation view thereof;
FIG. 5 is a top plan view thereof;
FIG. 6 is a bottom plan view thereof;
FIG. 7 is a right side elevation view thereof; and,
FIG. 8 is a left side elevation view thereof.

The broken lines depict portions of the body of camera for
medical use in which the design is embodied that form no
part of the claimed design.

1 Claim, 8 Drawing Sheets

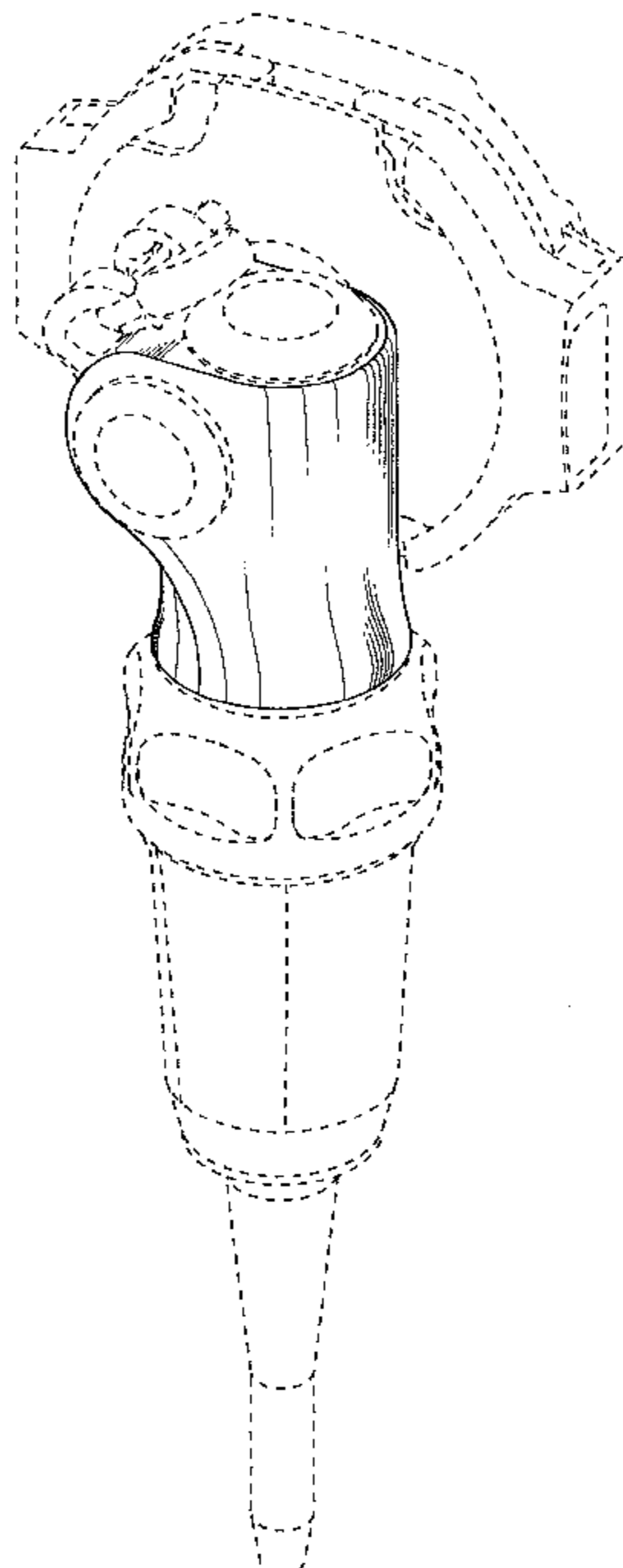


FIG.1

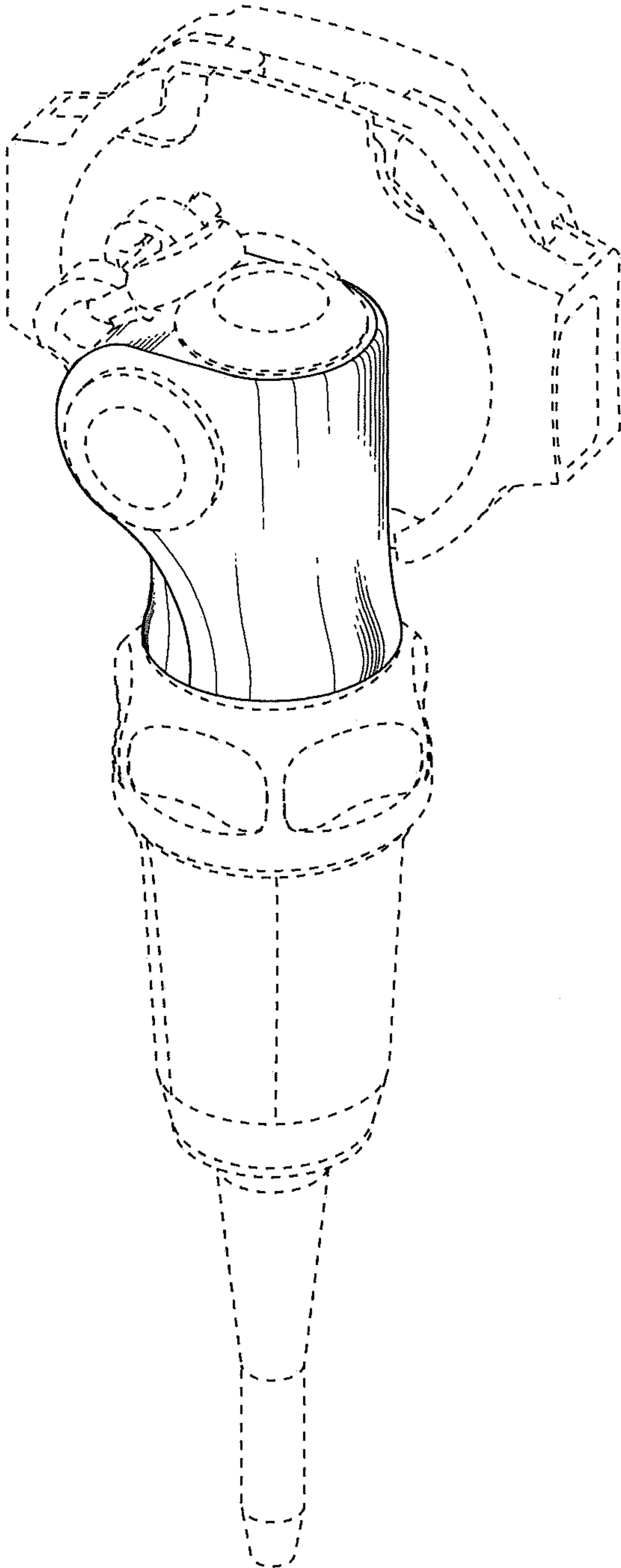


FIG.2

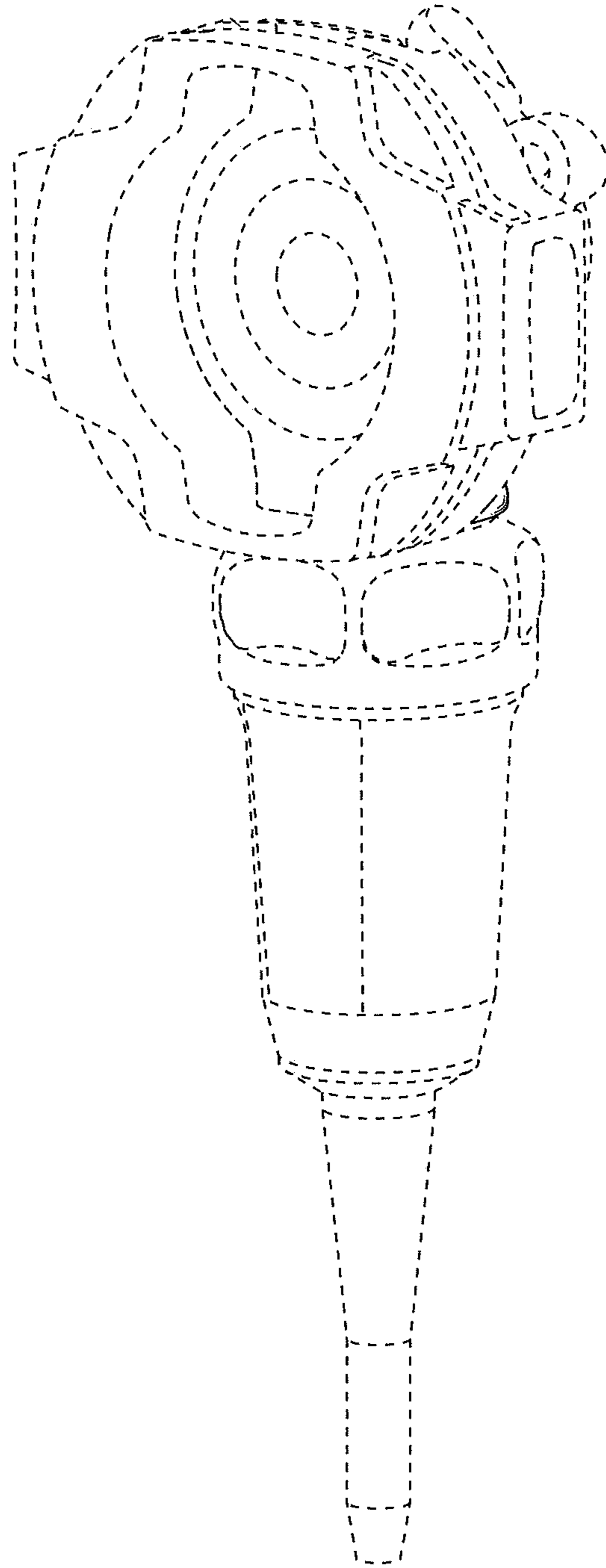


FIG.3

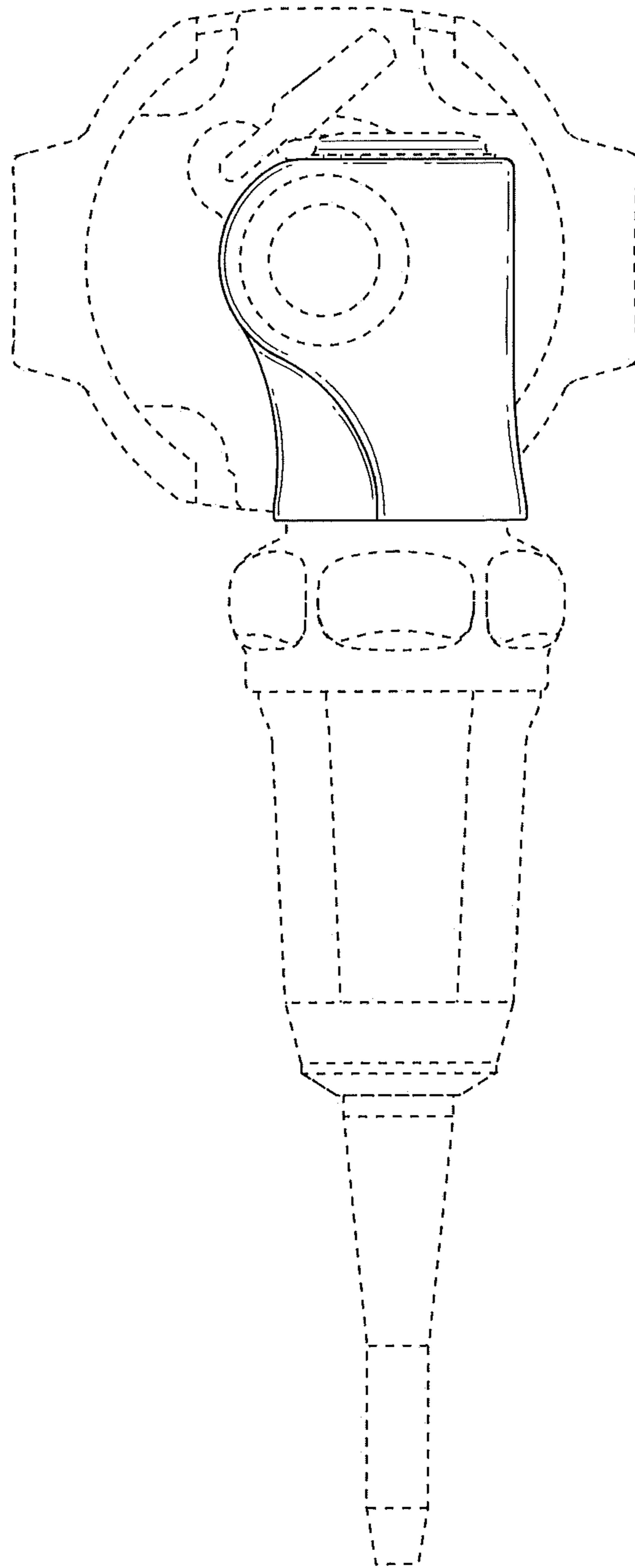


FIG.4

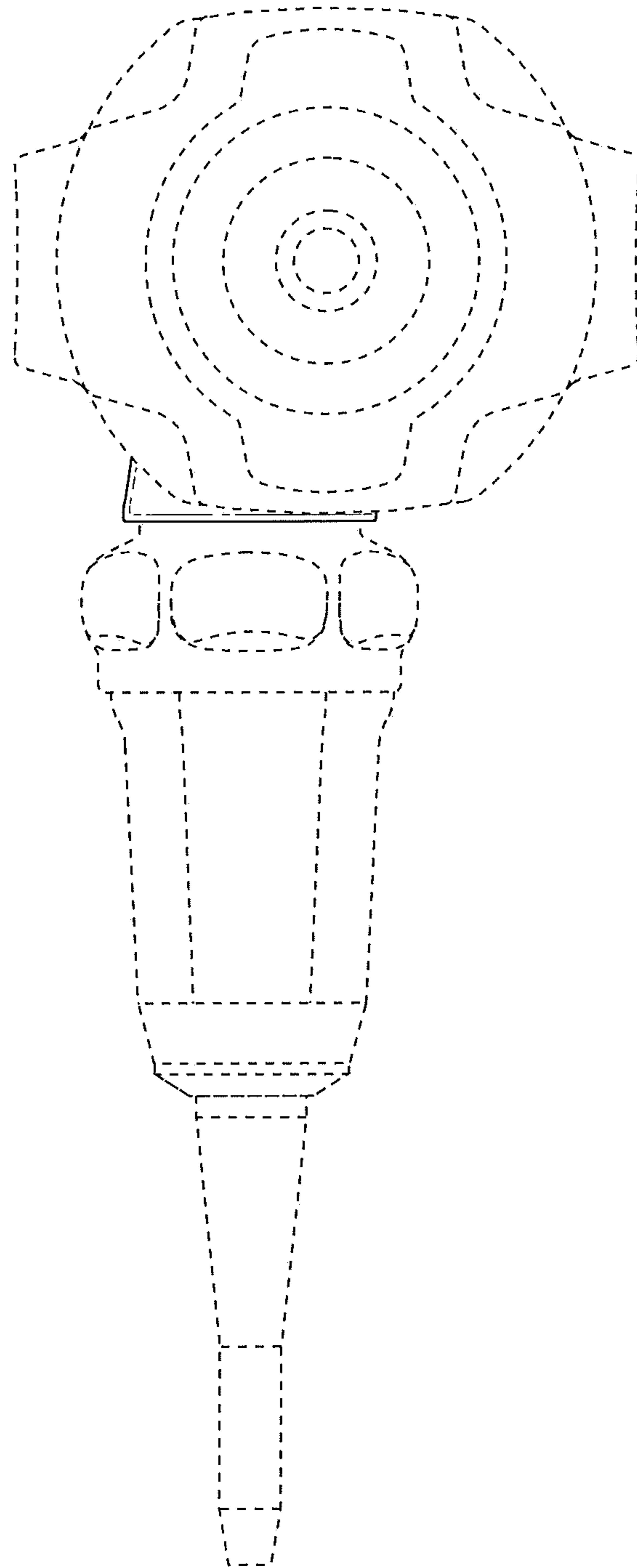


FIG.5

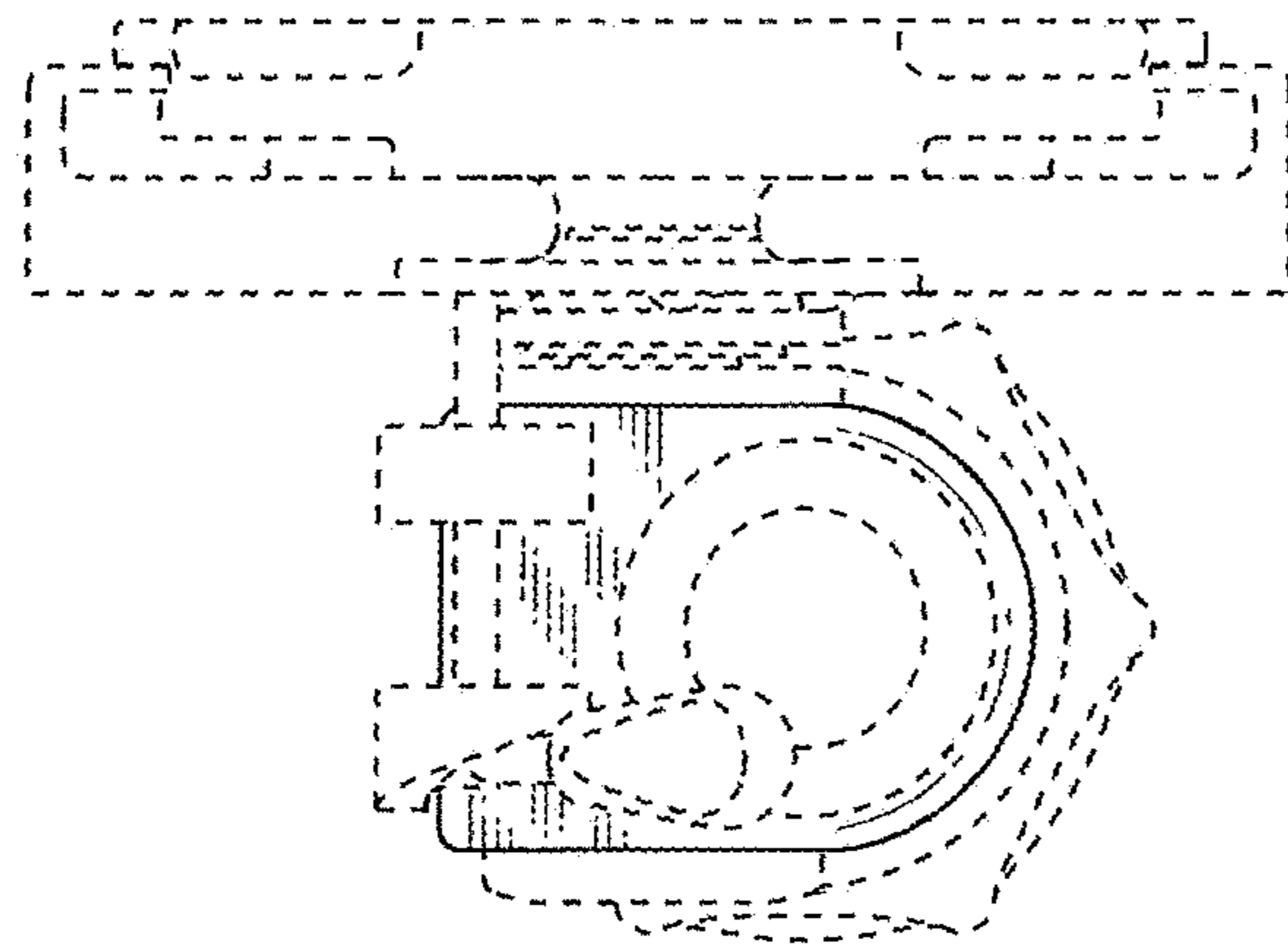


FIG.6

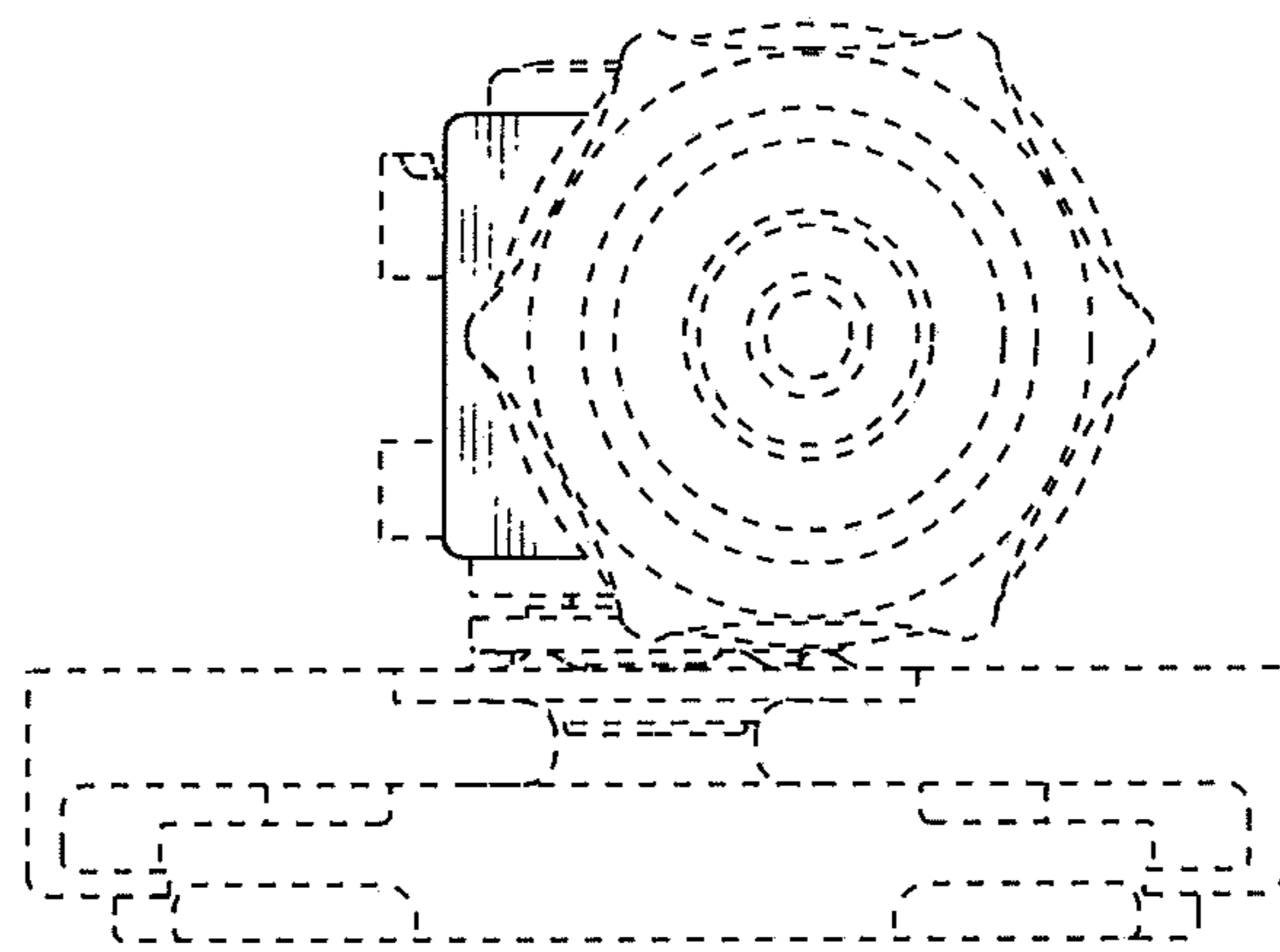


FIG. 7

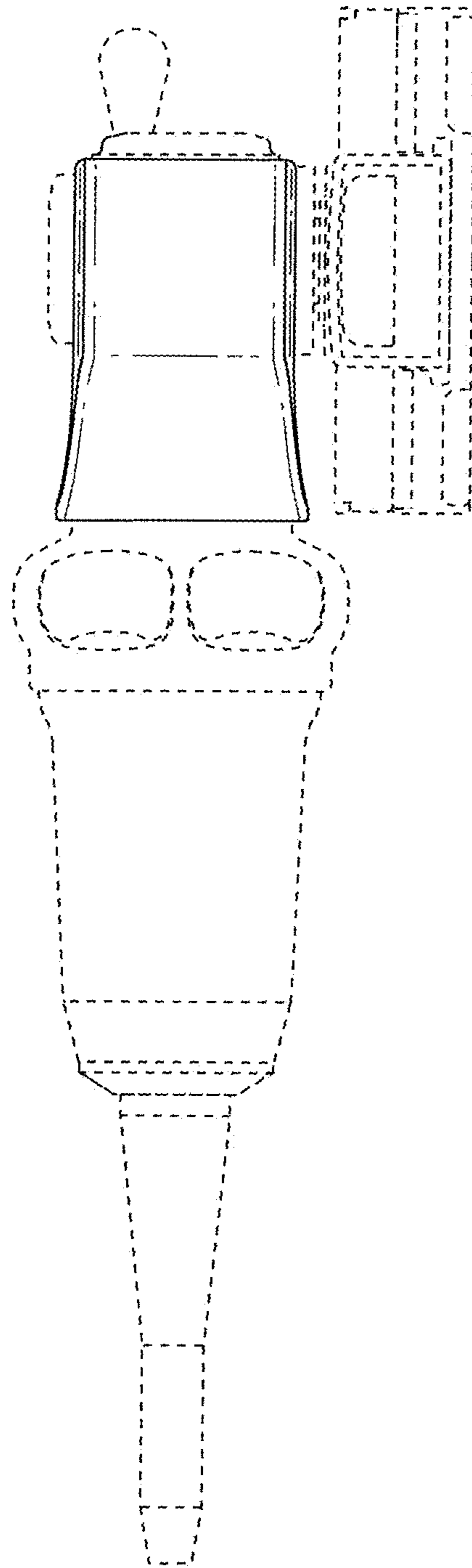


FIG. 8

