



US00D940860S

(12) **United States Design Patent** (10) **Patent No.:** **US D940,860 S**  
**Pfrang et al.** (45) **Date of Patent:** **\*\* Jan. 11, 2022**

(54) **ADMINISTRATION KIT AND ASSOCIATED COMPONENTS THEREOF**

(71) Applicant: **Chiesi Farmaceutici S.p.A.**, Parma (IT)

(72) Inventors: **Jurgen Pfrang**, Parma (IT); **Andreas Gorshofer**, Parma (IT); **Marta Lombardini**, Parma (IT)

(73) Assignee: **Chiesi Farmaceutici S.p.A.**, Parma (IT)

(\*\*) Term: **15 Years**

(21) Appl. No.: **29/727,564**

(22) Filed: **Mar. 11, 2020**

**Related U.S. Application Data**

(63) Continuation-in-part of application No. 16/355,343, filed on Mar. 15, 2019.

(51) **LOC (13) Cl.** ..... **24-02**

(52) **U.S. Cl.**  
USPC ..... **D24/128**

(58) **Field of Classification Search**  
USPC ..... D24/112-114, 108, 133, 130, 127, 186;  
606/181, 185; 604/264, 272, 187, 181,  
604/184, 227  
CPC ..... A61M 5/178; A61M 3/00; A61M 5/20;  
A61M 5/31; A61M 5/3146; A61M  
5/3129; A61M 5/3148; A61M 5/315;  
A61M 5/002  
See application file for complete search history.

(56) **References Cited**

**U.S. PATENT DOCUMENTS**

4,444,310 A 4/1984 Odell  
7,195,609 B2 \* 3/2007 Huegli ..... A61M 5/31513  
604/181  
D581,528 S \* 11/2008 Sudo ..... D24/130  
(Continued)

**FOREIGN PATENT DOCUMENTS**

CA 2980585 A1 \* 9/2016 ..... A61M 5/2046  
EP 3 095 476 A1 11/2016  
(Continued)

**OTHER PUBLICATIONS**

Extended European Search Report dated Aug. 6, 2019, in Patent Application No. 19163093.8, 8 pages.

*Primary Examiner* — David G Muller

(74) *Attorney, Agent, or Firm* — Oblon, McClelland, Maier & Neustadt, L.L.P.

(57) **CLAIM**

The ornamental design for an administration kit and associated components thereof, as shown and described.

**DESCRIPTION**

FIG. 1 is an overhead perspective view of an administration kit and associated components thereof according to our design;

FIG. 2 is an overhead perspective view thereof with associated components in the form of a prefillable syringe and a replacement cap;

FIG. 3 is an overhead perspective view thereof with the prefillable syringe in the replacement cap;

FIG. 4 is a perspective view of the prefillable syringe in the replacement cap;

FIG. 5 is a perspective view of the prefillable syringe;

FIG. 6 is a bottom perspective view of an associated component of the administration kit in the form of a plunger for the prefillable syringe;

FIG. 7 is a top perspective view of the plunger;

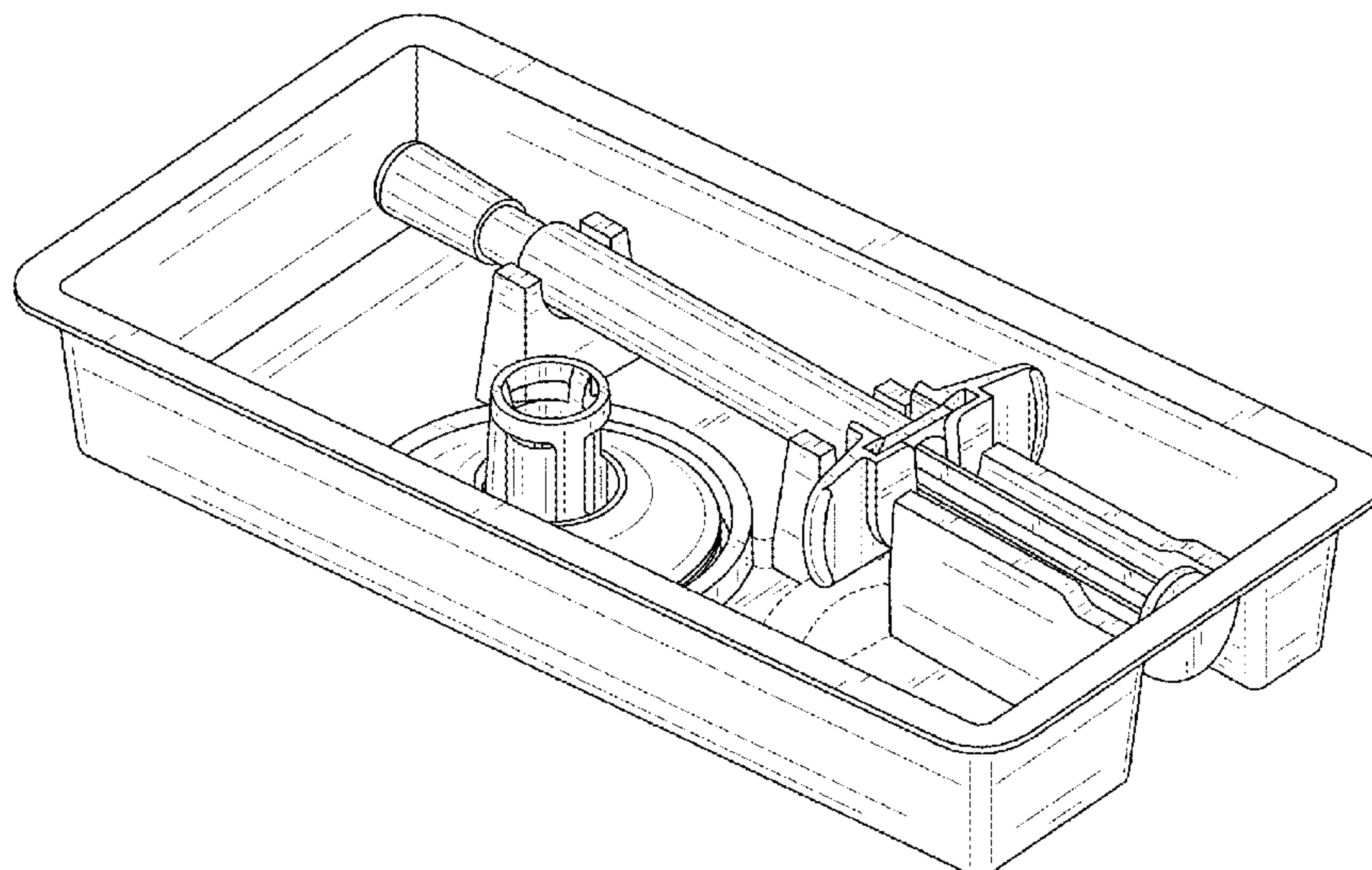
FIG. 8 is a side view of the plunger;

FIG. 9 is a bottom plan view of the plunger; and,

FIG. 10 is a top view of the plunger.

Portions of the administration kit and associated components thereof not shown in the provided views form no part of the claimed design.

**1 Claim, 7 Drawing Sheets**



(56)

**References Cited**

U.S. PATENT DOCUMENTS

D800,337 S \* 10/2017 Daines ..... D24/227  
D804,808 S \* 12/2017 Ukrainsky ..... D3/203.3  
D851,757 S \* 6/2019 Nandi ..... D24/114  
D865,161 S \* 10/2019 Arnold ..... D24/117  
D881,409 S \* 4/2020 Kayyem ..... D24/224  
2014/0194305 A1\* 7/2014 Kayyem ..... B01L 3/523  
506/9  
2016/0131672 A1\* 5/2016 Tieman ..... B01L 3/54  
422/67  
2016/0317761 A1 11/2016 Iwase et al.  
2018/0015454 A1\* 1/2018 Wright ..... B01L 3/502  
2018/0095100 A1\* 4/2018 Nguyen ..... G01N 35/00871  
2019/0175817 A1 6/2019 Ogawa et al.

FOREIGN PATENT DOCUMENTS

WO 97/10014 A1 3/1997  
WO 2014/045336 A1 3/2014  
WO WO-2016021650 A1 \* 2/2016 ..... B65D 75/36  
WO 2018/038078 A1 3/2018

\* cited by examiner

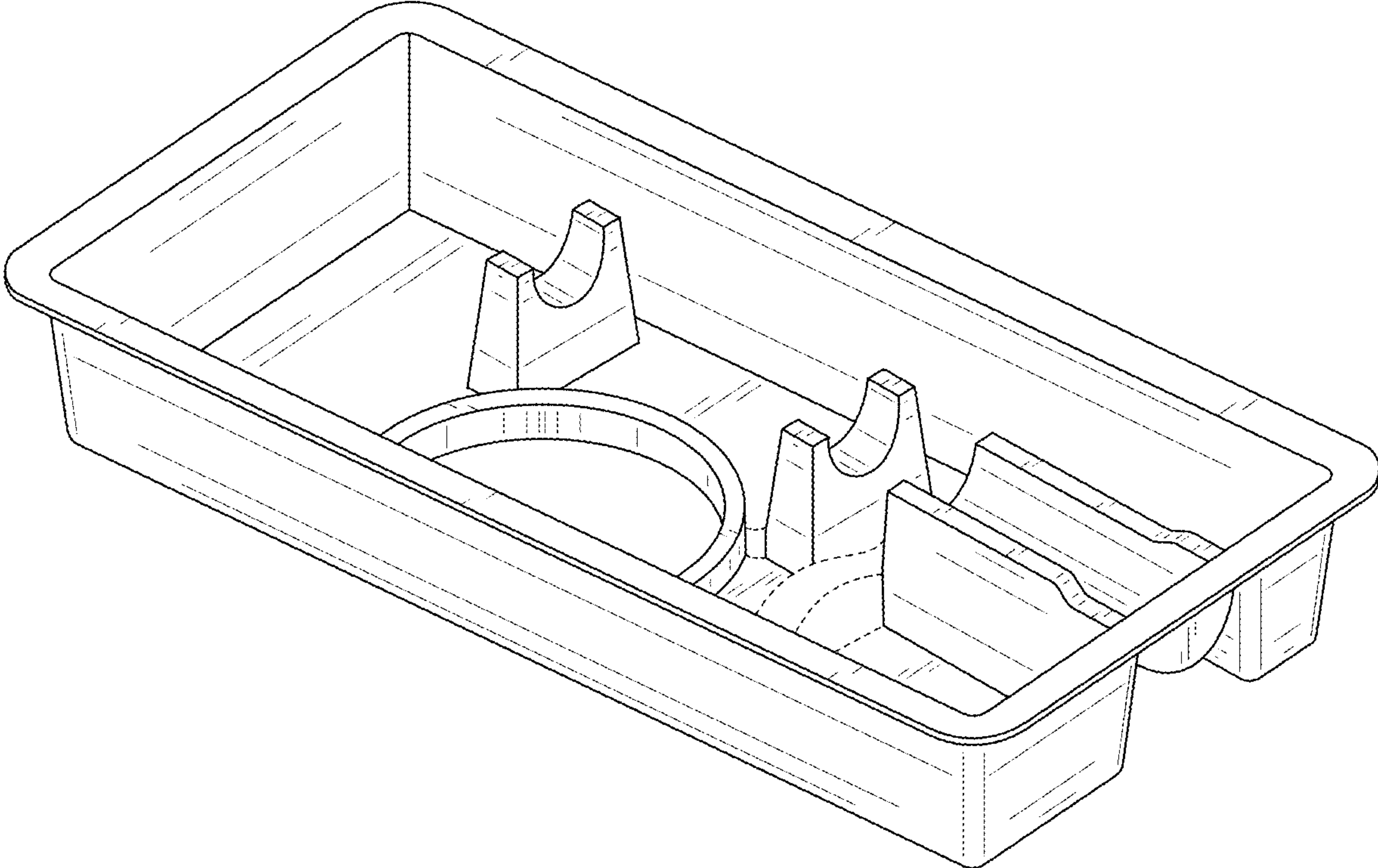


FIG. 1

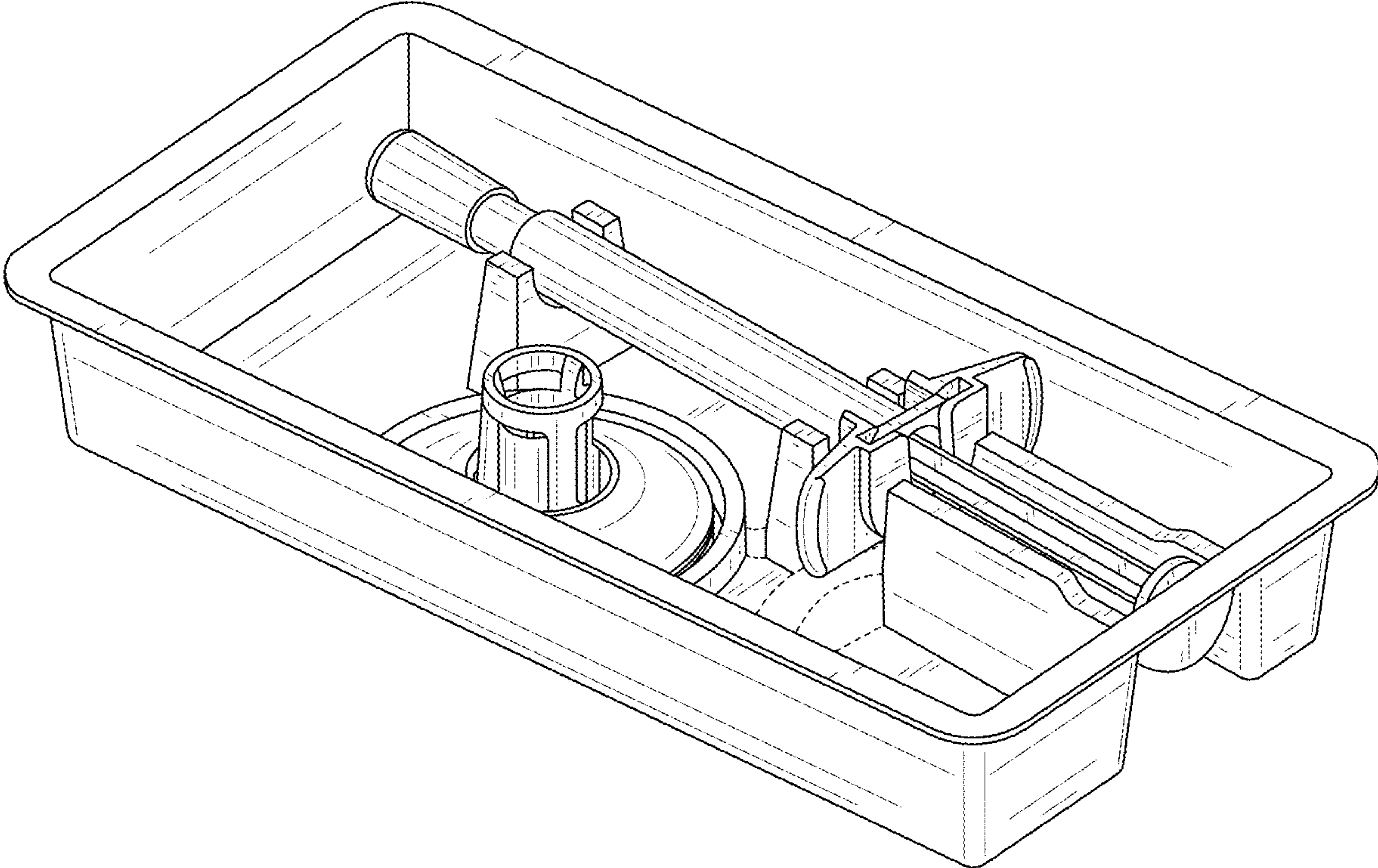


FIG. 2



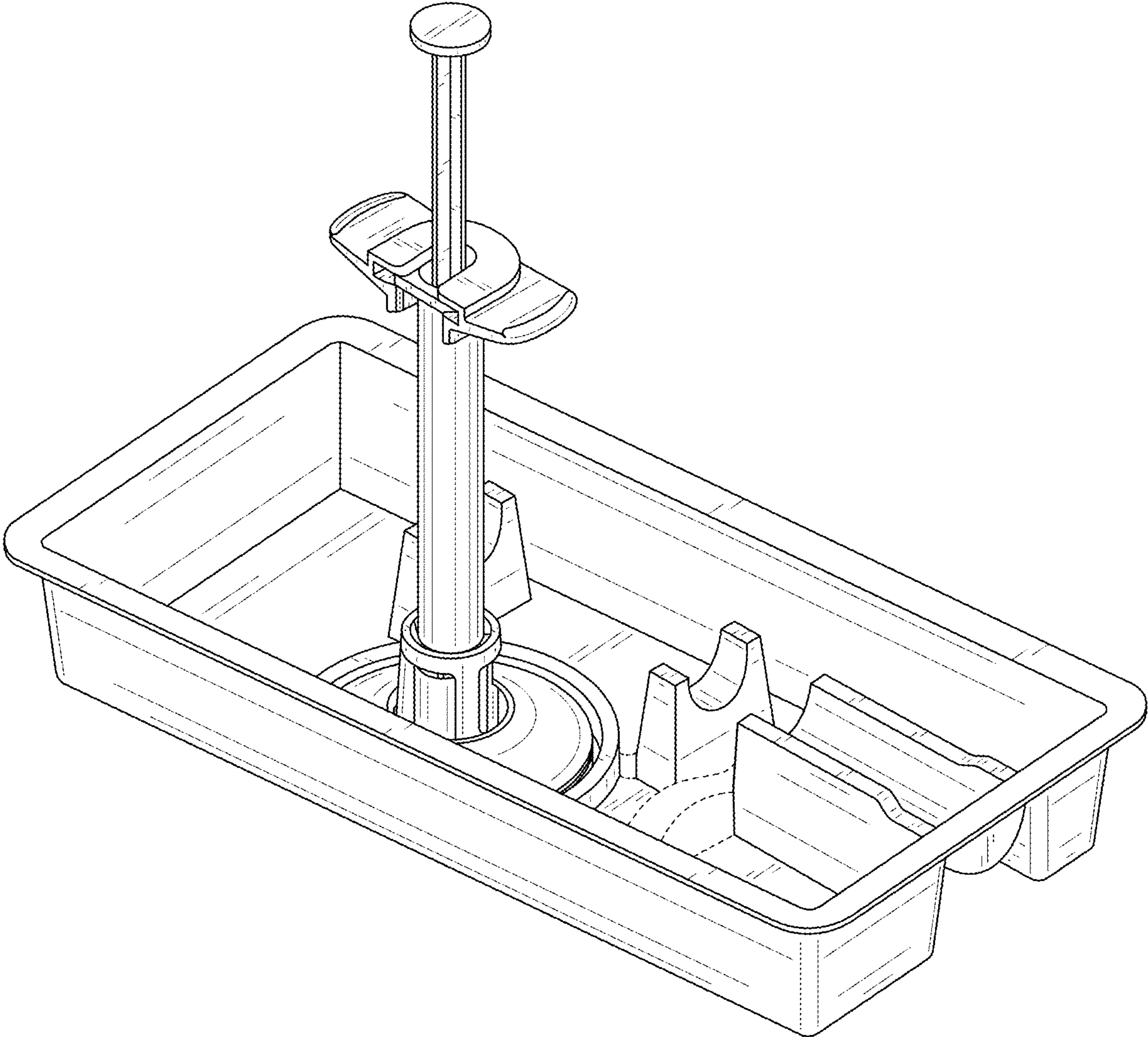


FIG. 3

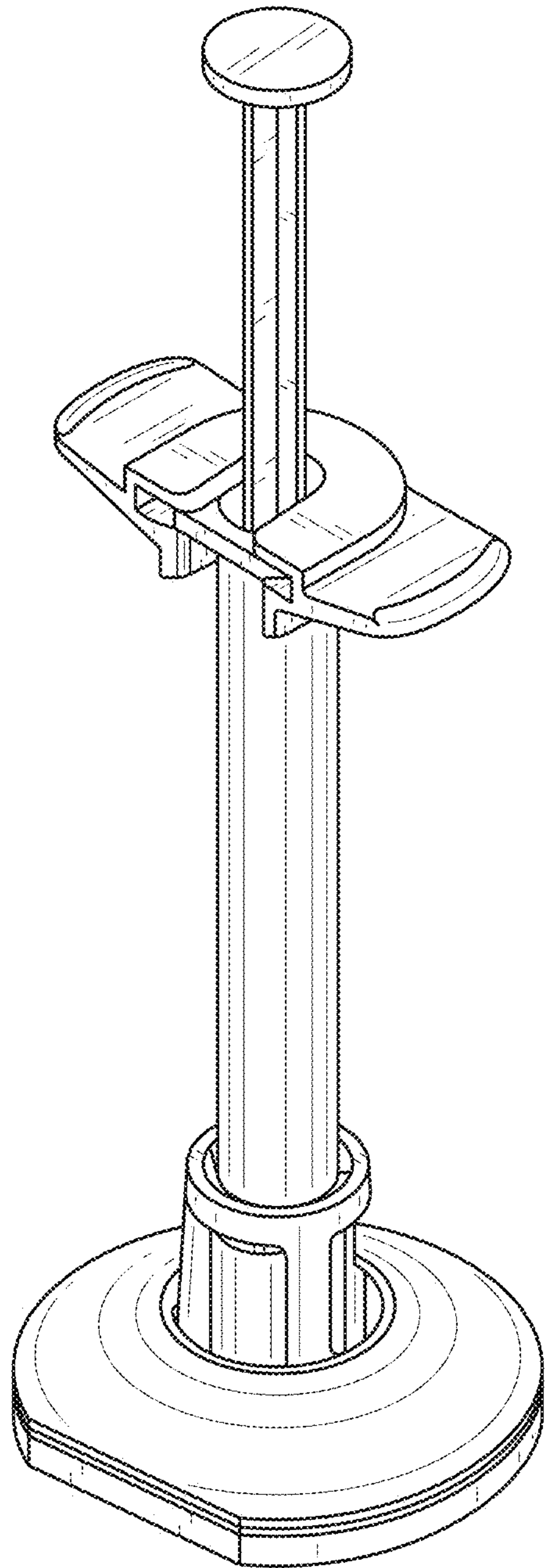


FIG. 4

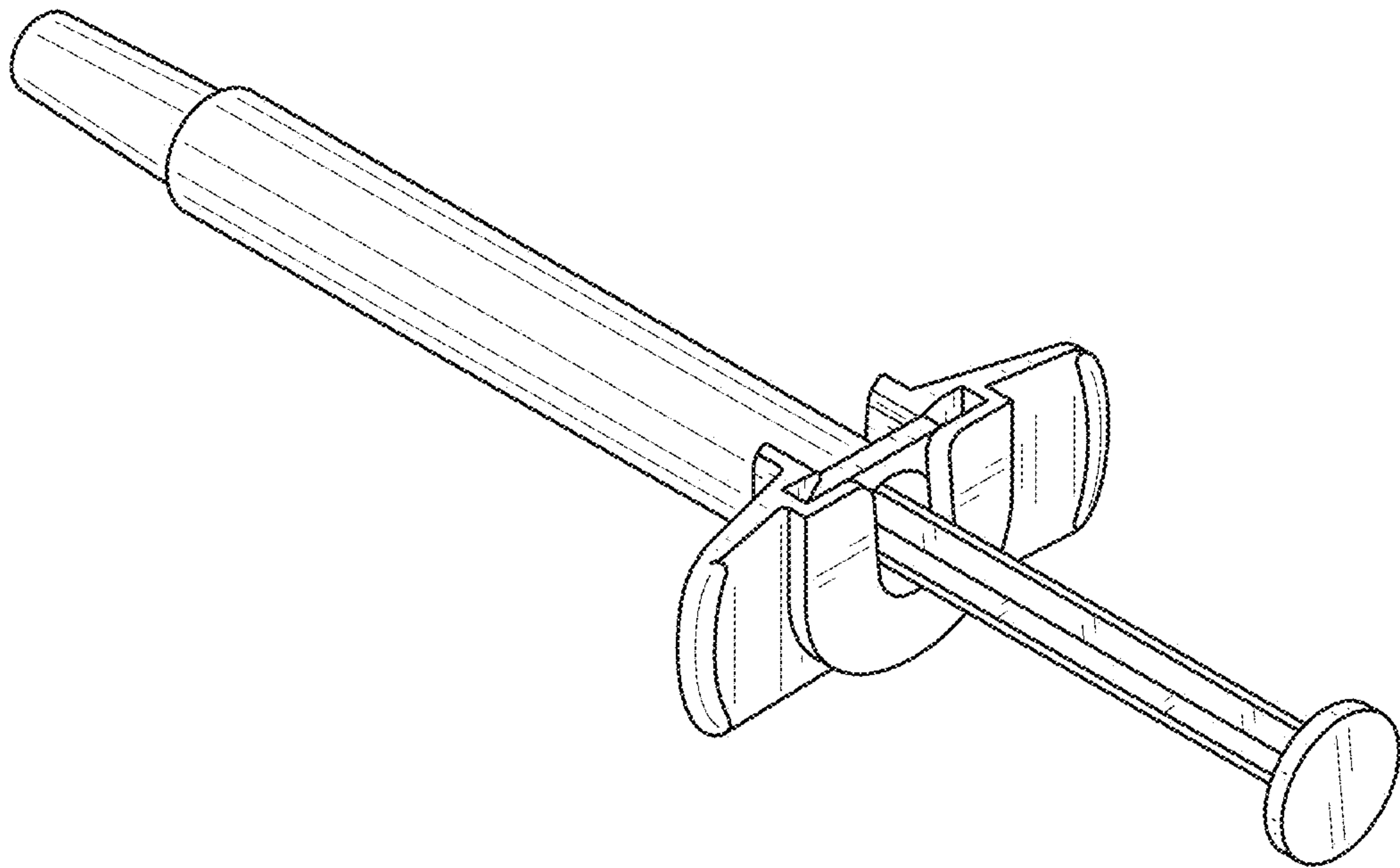


FIG. 5

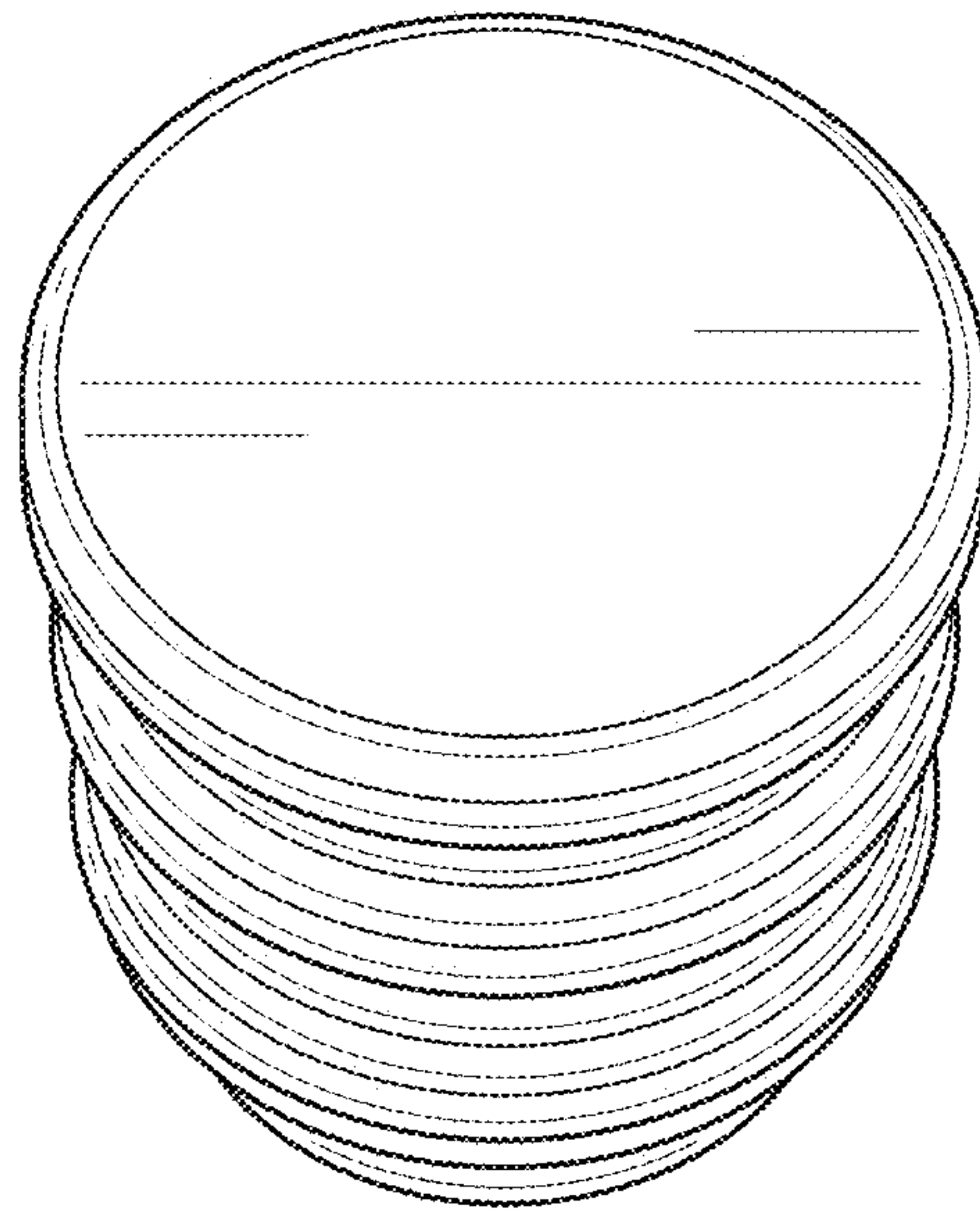


FIG. 6

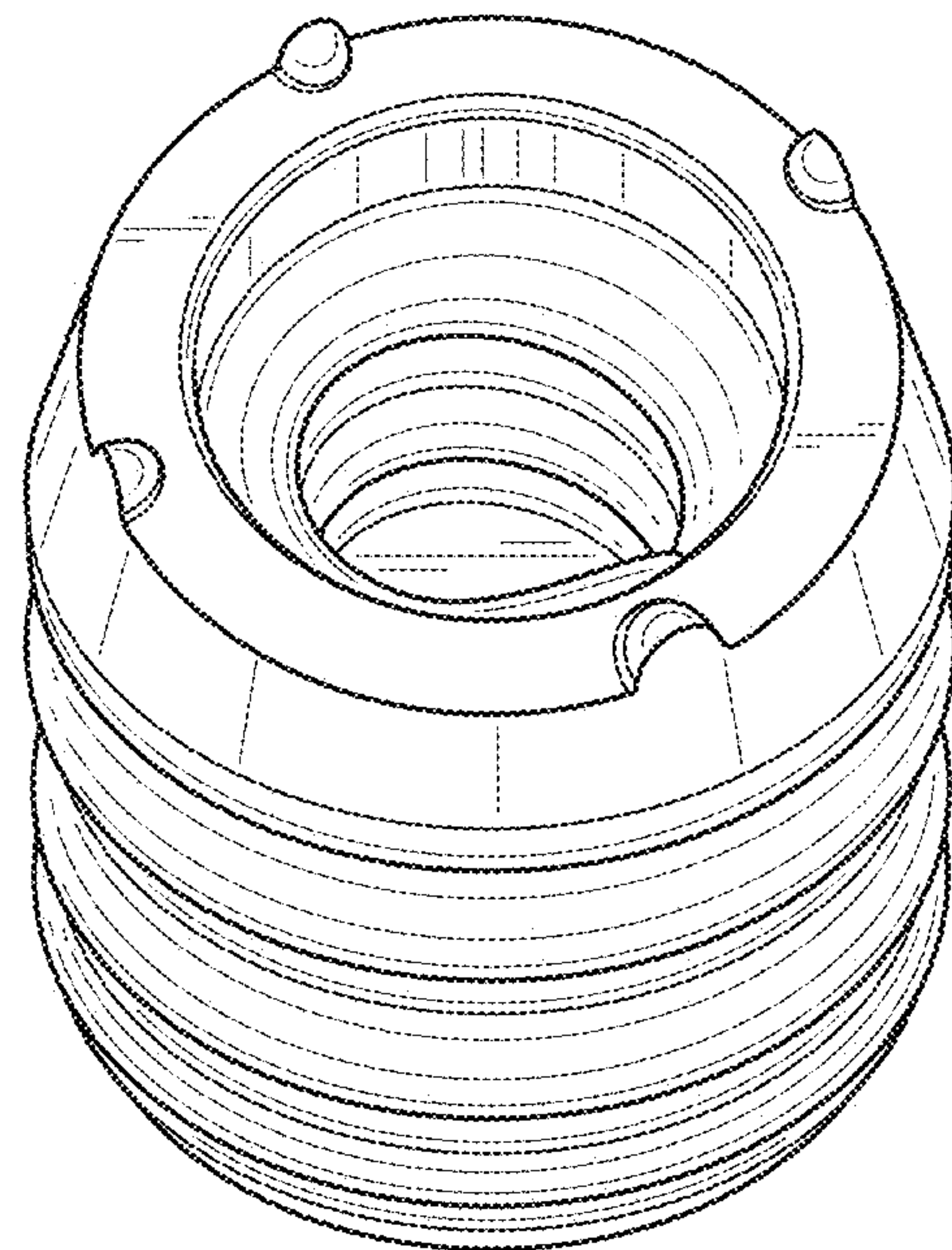


FIG. 7



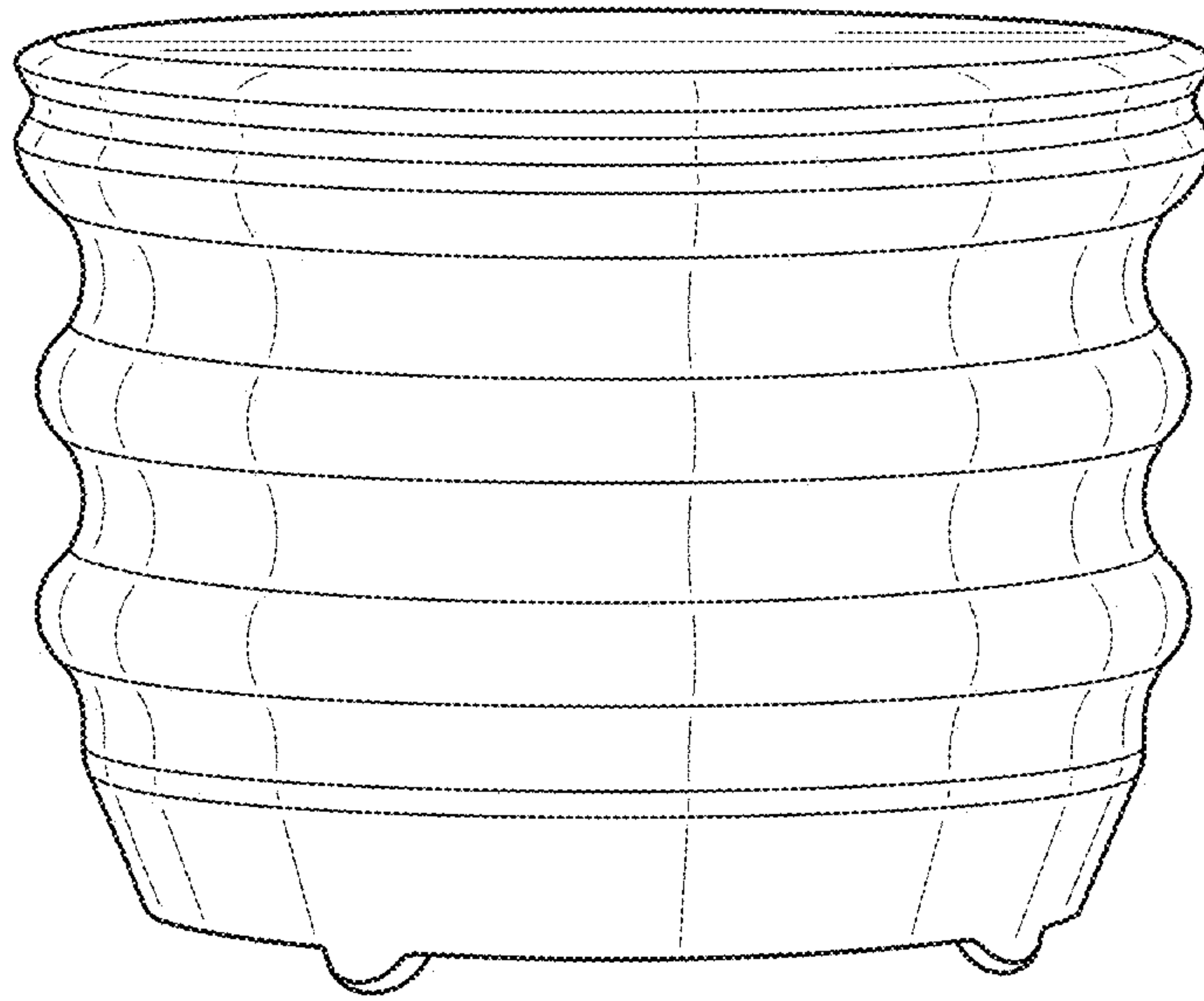


FIG. 8

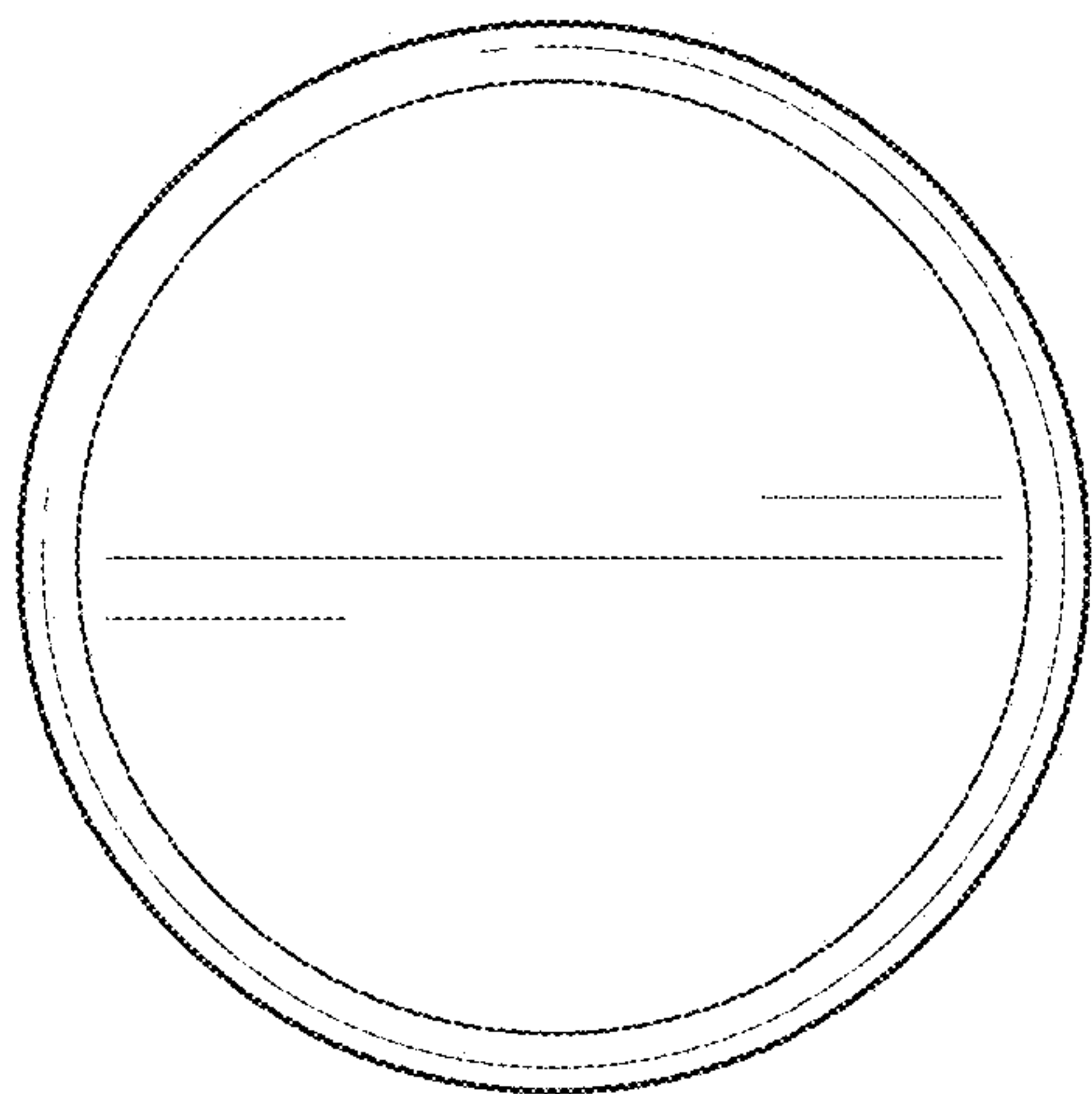


FIG. 9

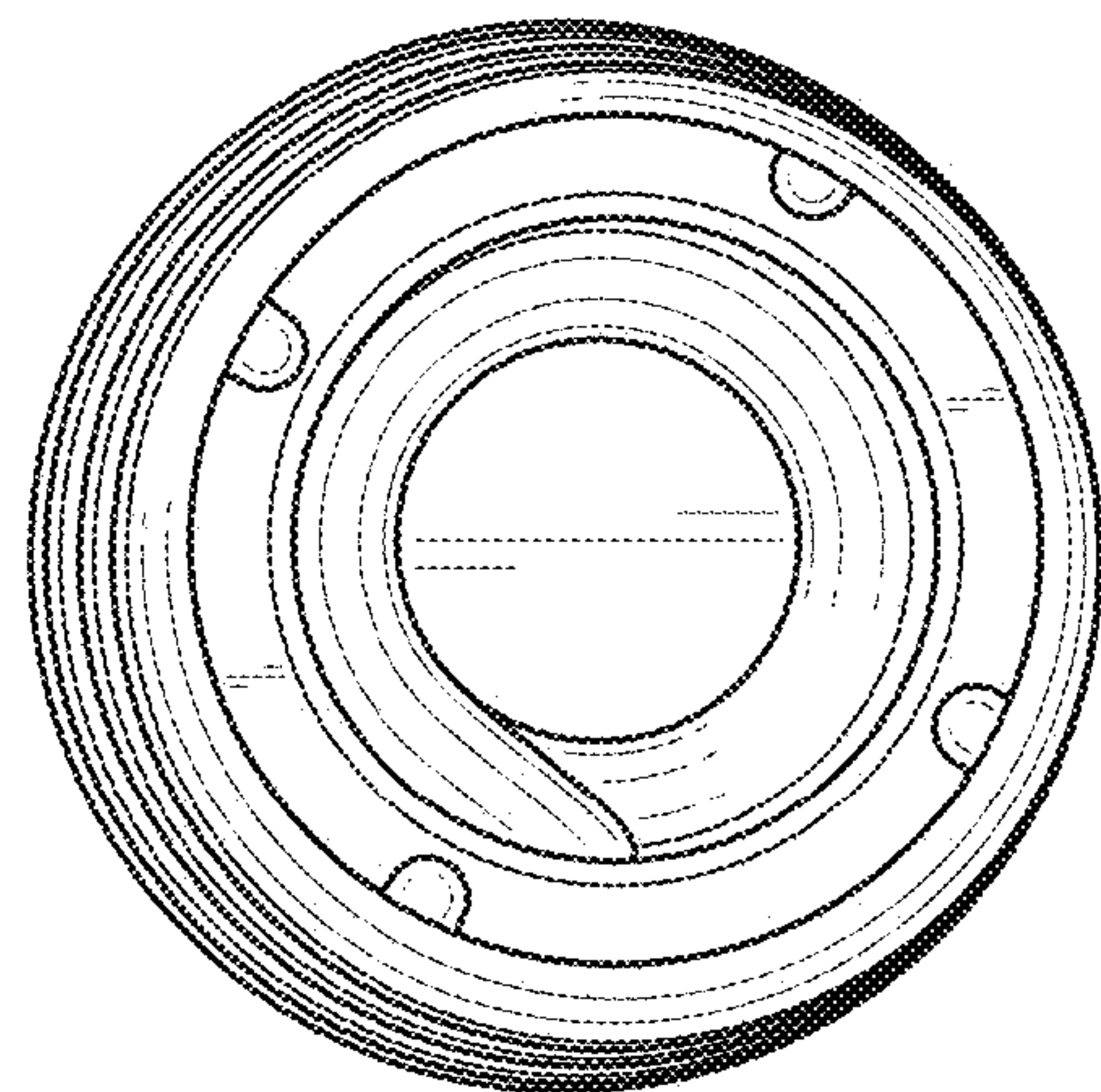


FIG. 10