



US00D940859S

(12) **United States Design Patent** (10) **Patent No.:** **US D940,859 S**
Spadavecchia (45) **Date of Patent:** **** Jan. 11, 2022**

(54) **INTUBATION SHIELD**
(71) Applicant: **Polymer Solutions International Inc.,**
Medford, NJ (US)
(72) Inventor: **John Spadavecchia,** Medford, NJ (US)
(73) Assignee: **Polymer Solutions International Inc.,**
Medford, NJ (US)
(**) Term: **15 Years**
(21) Appl. No.: **29/733,914**
(22) Filed: **May 7, 2020**
(51) **LOC (13) Cl.** **24-02**
(52) **U.S. Cl.**
USPC **D24/127; D24/231**
(58) **Field of Classification Search**
USPC D24/121, 127, 163, 184, 202, 231;
D9/418
CPC A61B 90/40; A61B 2217/005; A61M
16/0488; A61G 10/005
See application file for complete search history.

(56) **References Cited**
U.S. PATENT DOCUMENTS
D182,394 S * 4/1958 Adolphson D24/163
3,084,684 A * 4/1963 Saunders B25J 21/02
312/1
3,326,203 A * 6/1967 Goertzel A61G 11/00
600/22
D254,638 S * 4/1980 Bay, Jr. D29/109
D329,377 S * 9/1992 Cortelli D9/418
D339,060 S * 9/1993 Cortelli D9/415
D588,907 S * 3/2009 Cesario, Jr. D9/418
D658,979 S * 5/2012 Gordon D9/418
D729,060 S * 5/2015 Trombetta D9/432
D837,646 S * 1/2019 Mazzuca D9/418
D896,630 S * 9/2020 Gomez D9/418
D910,241 S * 2/2021 Koefeld D29/110

D910,432 S * 2/2021 Lee D9/418
2021/0307871 A1 * 10/2021 Edalati A61B 90/40
2021/0307872 A1 * 10/2021 Vizulis A61B 90/40
2021/0307985 A1 * 10/2021 Staab A61G 12/00
2021/0315757 A1 * 10/2021 Nguyen A61G 10/005
2021/0338361 A1 * 11/2021 Majzoub A61M 16/0488

FOREIGN PATENT DOCUMENTS

IN 330521-001-0001 * 10/2021

OTHER PUBLICATIONS

“First Line of Protection.By: Marie Havenga” Health Beat | Jun. 10, 2020, Spectrum Health, healthbeat.spectrumhealth.org/portable-intubation-chamber-innovation-protect-healthcare-workers-covid-19/. Accessed Nov. 16, 2021 (Year: 2020).*

(Continued)

Primary Examiner — Natasha Vujcic
Assistant Examiner — Gilbert B Ford
(74) *Attorney, Agent, or Firm* — RatnerPrestia

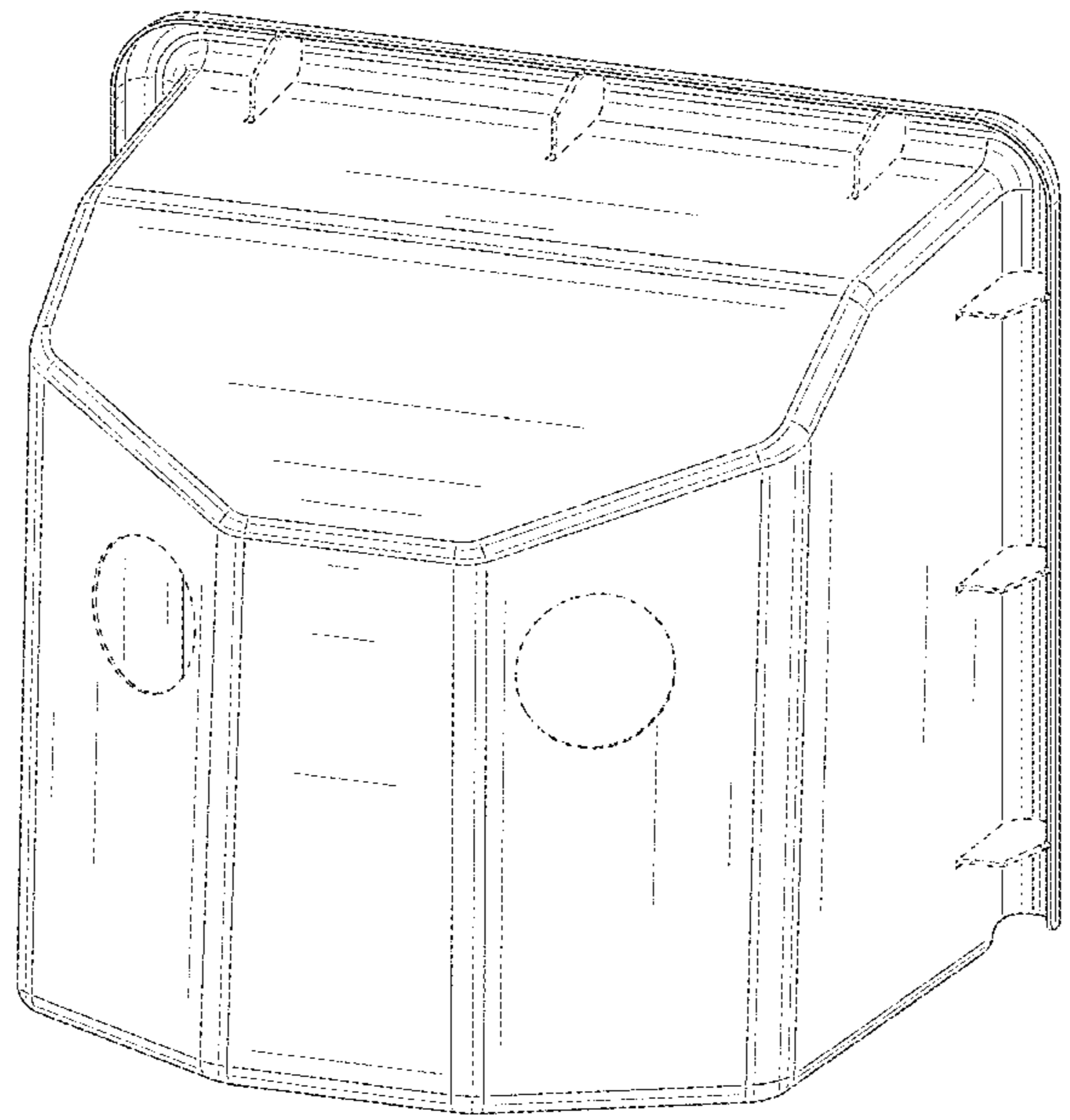
(57) **CLAIM**

The ornamental design for an intubation shield, as shown and described.

DESCRIPTION

FIG. 1 is a perspective view of an intubation shield;
FIG. 2 is a front elevation view thereof;
FIG. 3 is a rear elevation view thereof;
FIG. 4 is a left side elevation view thereof;
FIG. 5 is a right side elevation view thereof;
FIG. 6 is a top plan view thereof; and,
FIG. 7 is a bottom plan view thereof.
The portions of the intubation shield shown in broken lines are for illustrative and environmental purposes and form no part of the claimed design.

1 Claim, 7 Drawing Sheets



(56)

References Cited

OTHER PUBLICATIONS

“MTC Develops Intubation Shield to Protect NHS Staff.” Catapult: High Value Manufacturing, Apr. 10, 2020, hvm.catapult.org.uk/news/mtc-develops-intubation-shield-to-protect-nhs-staff/. Accessed Nov. 16, 2021. (Year: 2020).*

Lancaster, Brent. “Scaling up.” NC State College of Engineering, Apr. 8, 2020, www.engr.ncsu.edu/news/2020/04/08/scaling-up/, Accessed Nov. 16, 2021 (Year: 2020).*

30 inch wide Aerosol Containment Shield, Dynalon, Novatech International, [Post date unknown], [Site seen Nov. 16, 2021], Seen at URL: https://www.novatech-USA.com/172364-0030?gclid=EAlalQobChMlpPegpoWd9AIV1tziChOiagnVEAQYBSABEgKp6vD_BwE (Year: 2021).*

* cited by examiner

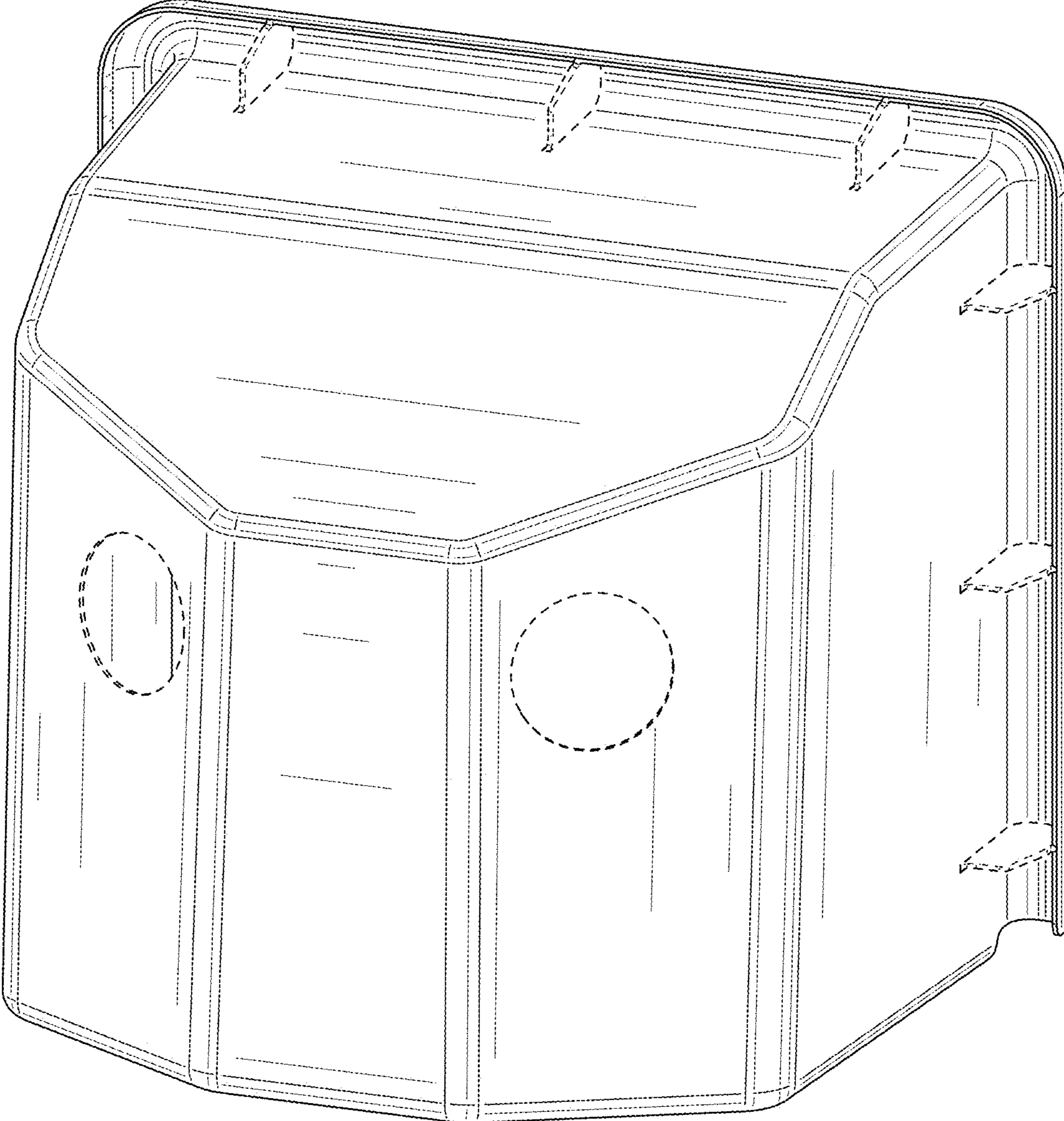


FIG. 1

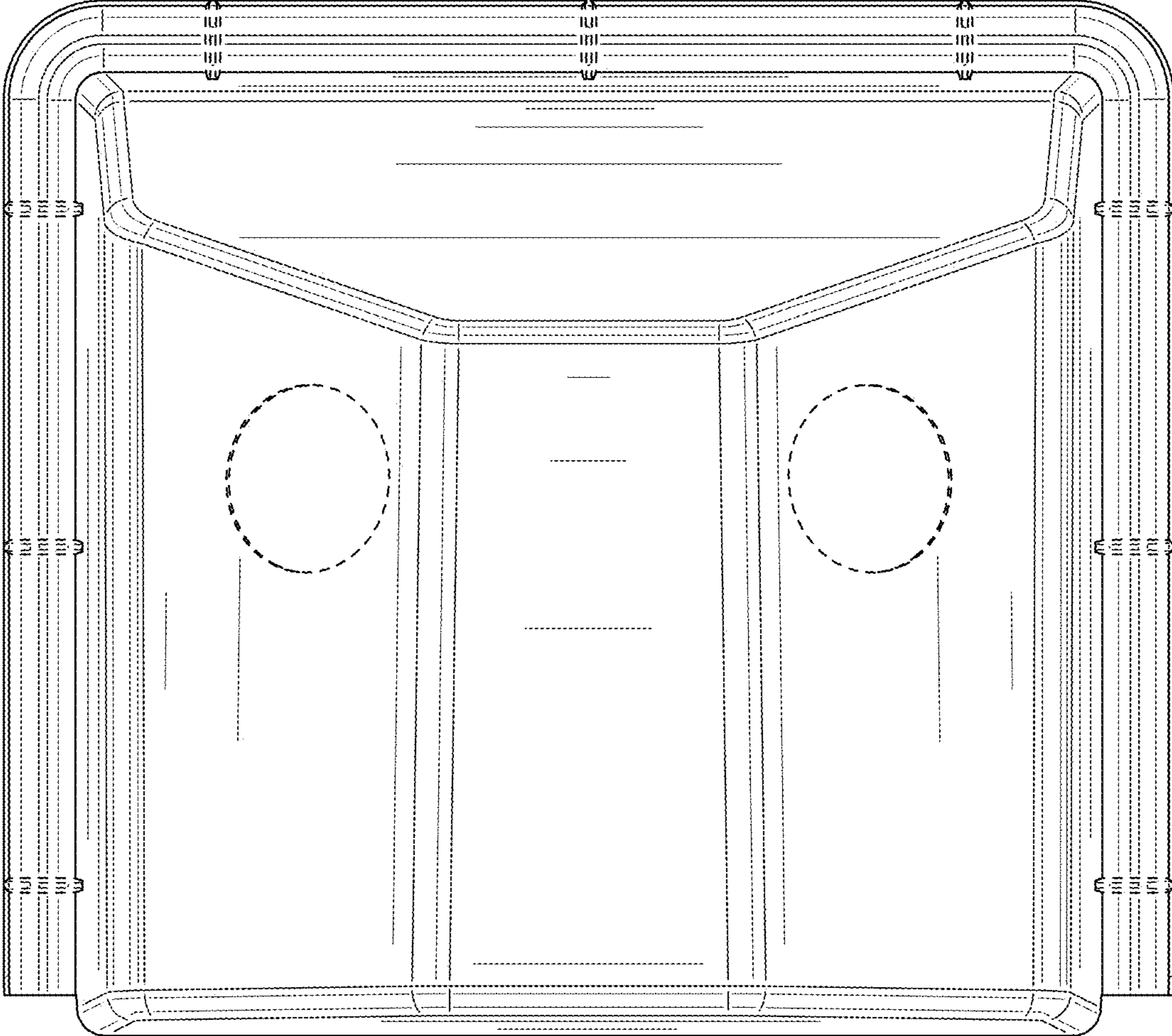


FIG. 2

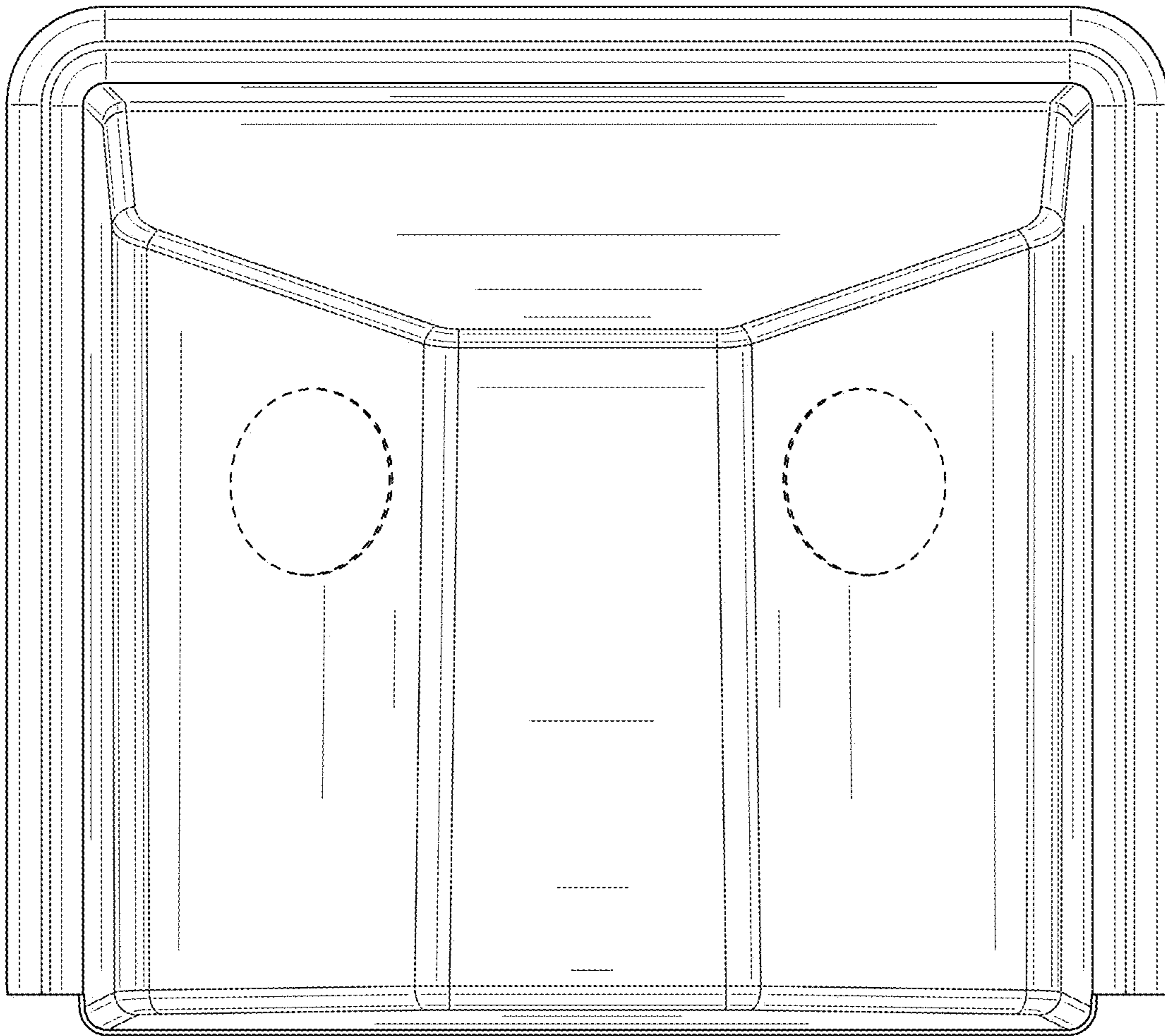


FIG. 3

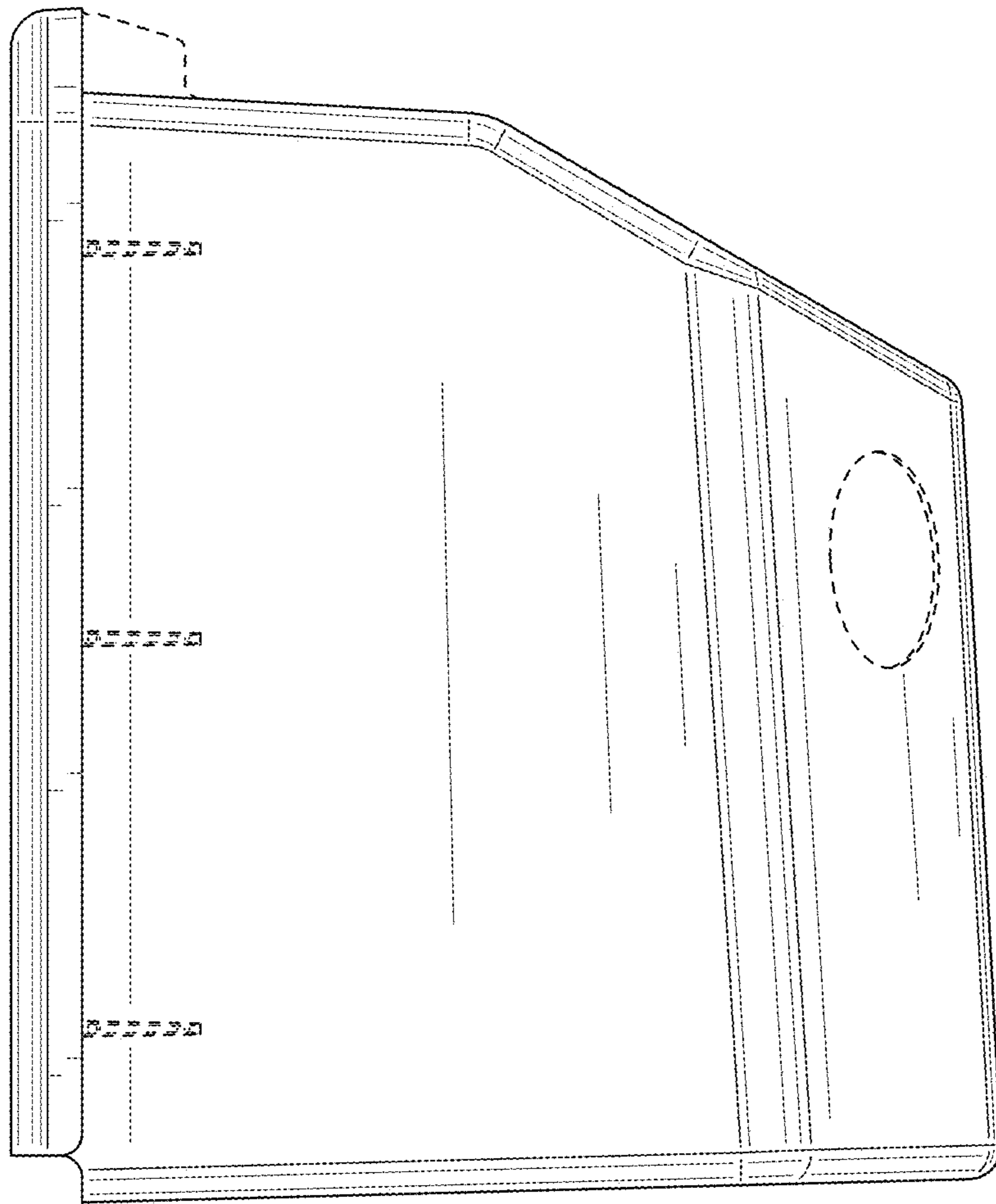


FIG. 4

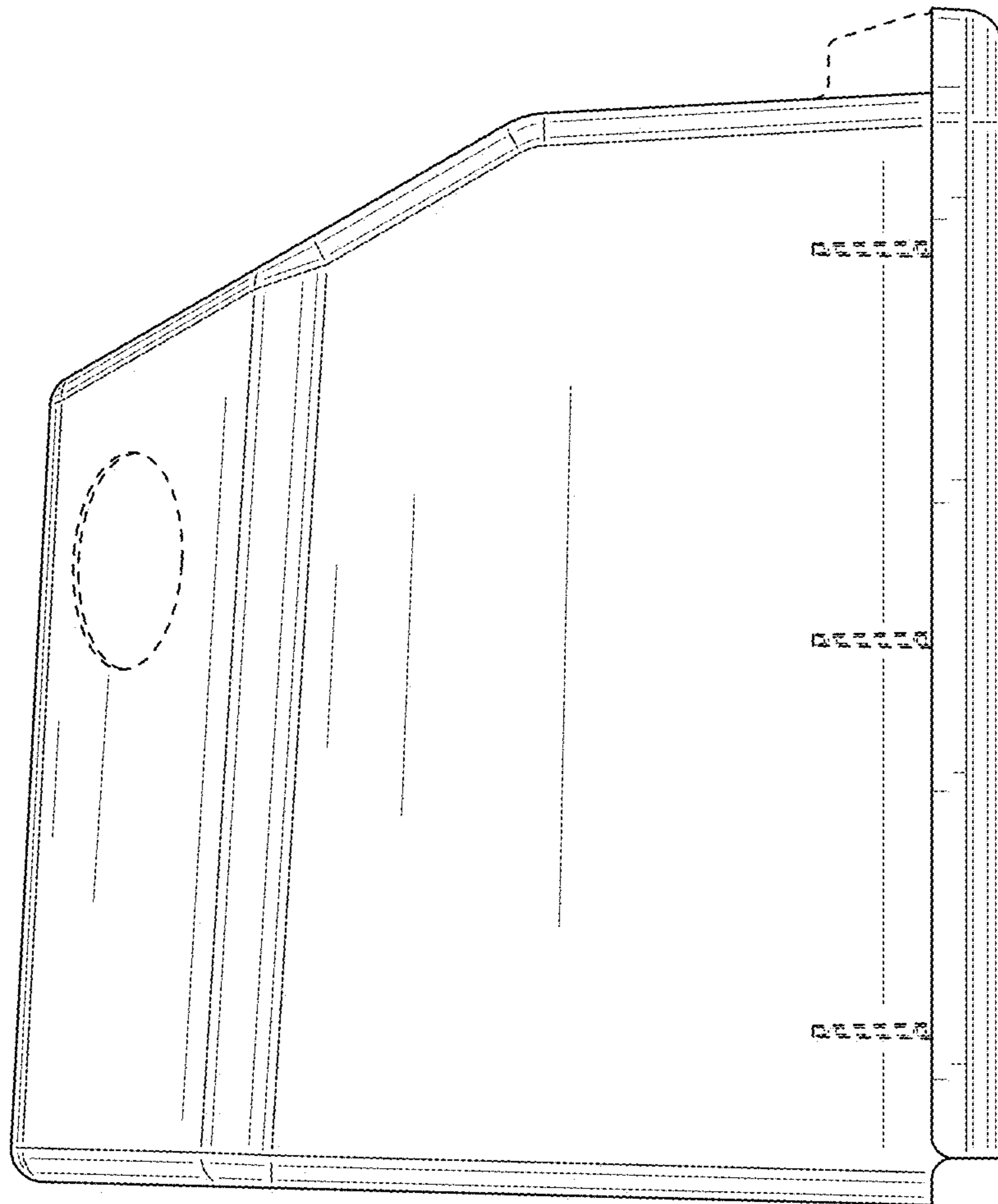


FIG. 5

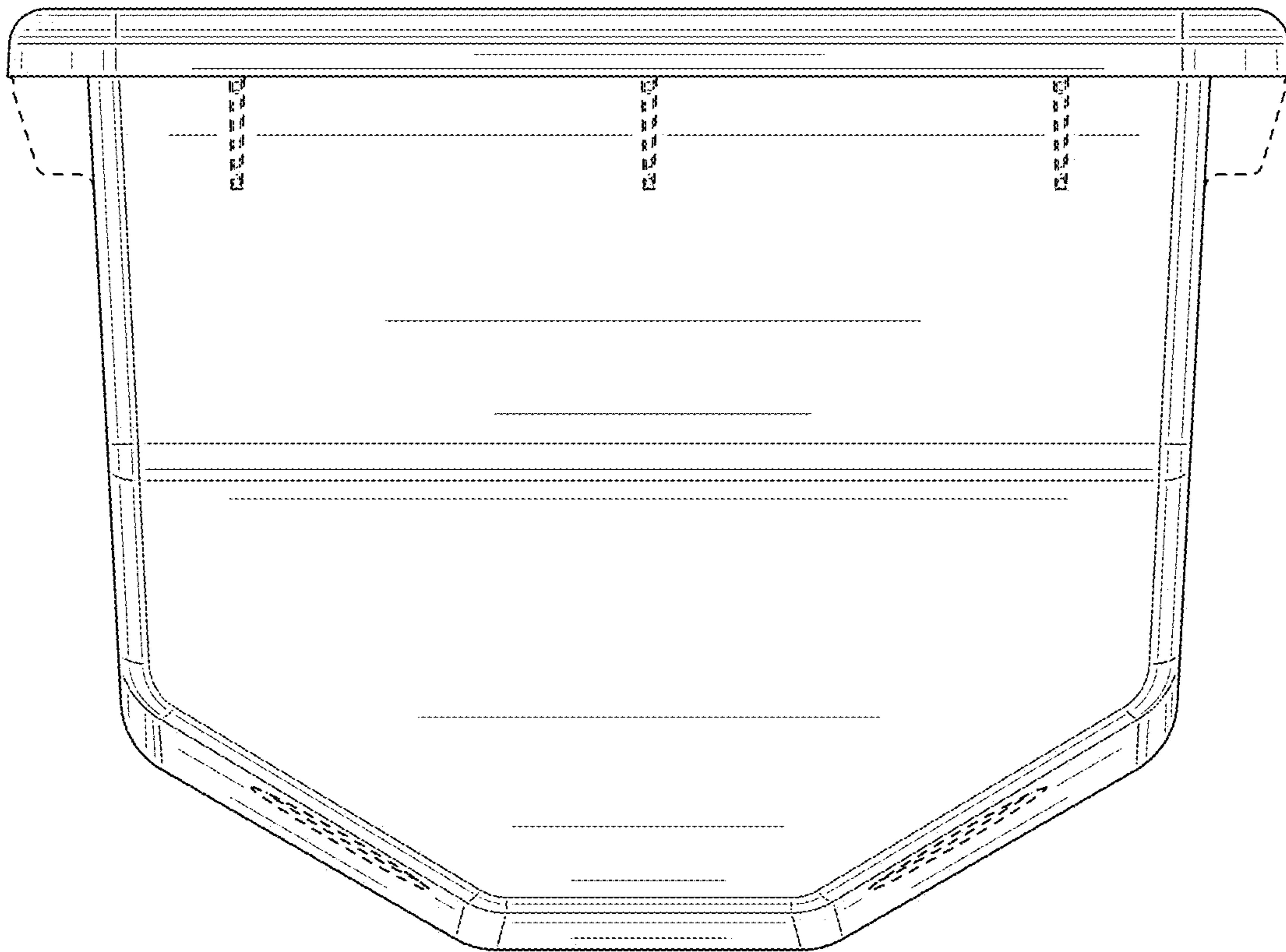


FIG. 6

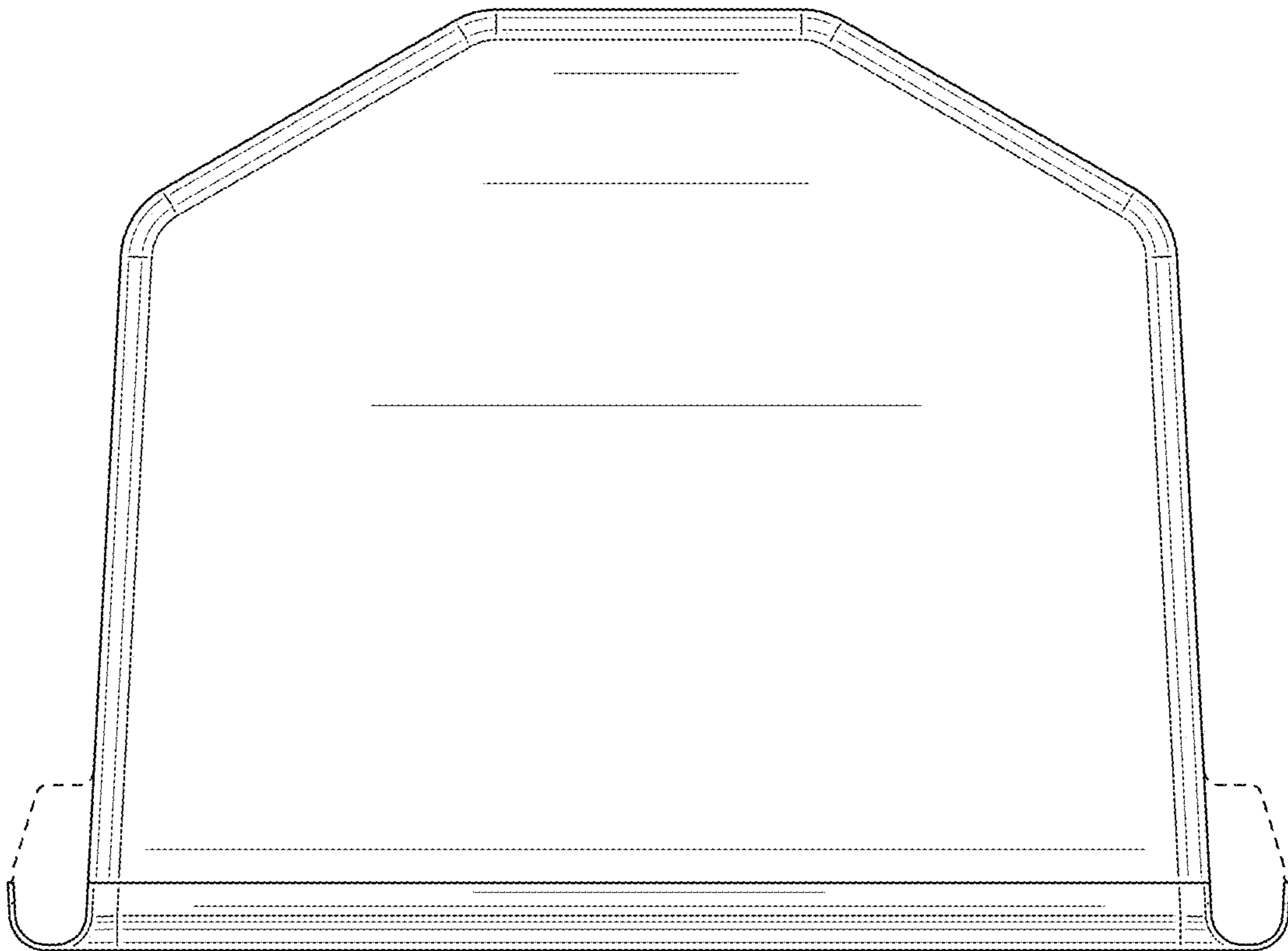


FIG. 7