



US00D940856S

(12) **United States Design Patent**  
**Fox et al.**

(10) **Patent No.:** **US D940,856 S**  
(45) **Date of Patent:** **\*\* Jan. 11, 2022**

(54) **CRYOTHERAPY CANISTER**  
(71) Applicant: **Arrinex, Inc.**, Redwood City, CA (US)  
(72) Inventors: **William Jason Fox**, San Mateo, CA (US); **Vahid Saadat**, Atherton, CA (US); **David Moosavi**, Redwood City, CA (US); **Sherwin Llamido**, Union City, CA (US); **Roman Turovskiy**, San Francisco, CA (US); **William Gould**, Santa Fe, NM (US); **Matt Allison Herron**, Hayward, CA (US)

8,425,579 B1 \* 4/2013 Edelman ..... A61F 5/0123  
607/104  
D705,423 S \* 5/2014 Walsh Cutler ..... D24/122  
D765,836 S \* 9/2016 Kammer ..... D24/121  
D777,338 S \* 1/2017 Coakley ..... D24/206  
D790,726 S \* 6/2017 Plante ..... D24/224  
10,531,981 B2 \* 1/2020 Herweijer ..... A61F 7/0085  
D882,817 S \* 4/2020 Norton ..... D24/224  
D888,272 S \* 6/2020 Pirod ..... D24/224  
D896,980 S \* 9/2020 Esala ..... D24/224  
D898,220 S \* 10/2020 Esala ..... D24/224

(Continued)

(73) Assignee: **Arrinex, Inc.**, Redwood City, CA (US)  
(\*\*) Term: **15 Years**  
(21) Appl. No.: **29/789,305**  
(22) Filed: **Sep. 15, 2021**

**OTHER PUBLICATIONS**  
Arrinex website, www.arrinex.com, retrieved from the World Wide Web on Jan. 17, 2020\*.

(Continued)

*Primary Examiner* — David G Muller  
(74) *Attorney, Agent, or Firm* — McDonnell Boehnen Hulbert & Berghoff LLP

**Related U.S. Application Data**

(62) Division of application No. 29/697,559, filed on Jul. 9, 2019, now Pat. No. Des. 933,816.  
(51) **LOC (13) Cl.** ..... **24-02**  
(52) **U.S. Cl.**  
USPC ..... **D24/121**  
(58) **Field of Classification Search**  
USPC ..... D24/121–123, 117, 224, 206; D23/276, D23/295, 302, 274, 309, 200; 4/450–460, 4/144.1–144.4, DIG. 5; 600/573, 574; 604/329, 317, 318, 334; D27/125  
CPC ..... A61F 7/0085; A61F 7/0053; A61G 9/00; A61G 9/006  
See application file for complete search history.

(57) **CLAIM**

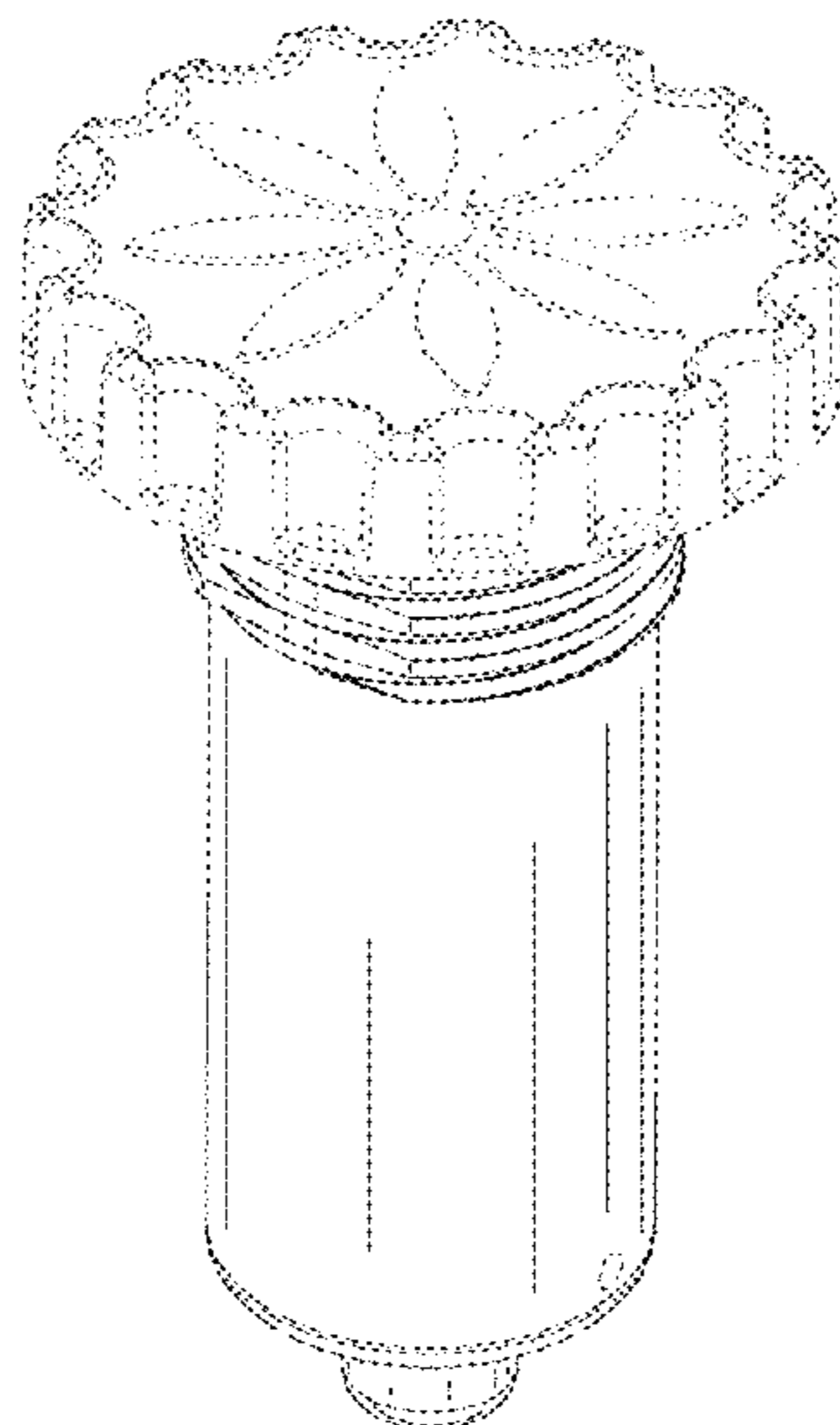
The ornamental design for a cryotherapy canister, as shown and described.

**DESCRIPTION**

FIG. 1 is a perspective view of a cryotherapy canister of the present design;  
FIG. 2 is a right side view thereof;  
FIG. 3 is a left side view thereof;  
FIG. 4 is a rear view thereof;  
FIG. 5 is a front view thereof;  
FIG. 6 is top view thereof; and,  
FIG. 7 is bottom view thereof.  
The portions of the drawings shown in broken lines represent environmental structure and form no part of the claimed design.

(56) **References Cited**  
**U.S. PATENT DOCUMENTS**  
7,850,045 B2 \* 12/2010 So ..... A23G 3/28  
222/132  
D656,236 S \* 3/2012 Marechal ..... D24/224

**1 Claim, 7 Drawing Sheets**



(56)

**References Cited**

U.S. PATENT DOCUMENTS

D903,898 S \* 12/2020 Nagy ..... D24/224

OTHER PUBLICATIONS

Patient Animation Video for ClariFix, [www.youtube.com/watch?v=U3VrRoDBaNE](http://www.youtube.com/watch?v=U3VrRoDBaNE), retrieved from the World Wide Web on Jan. 17, 2020\*.

\* cited by examiner

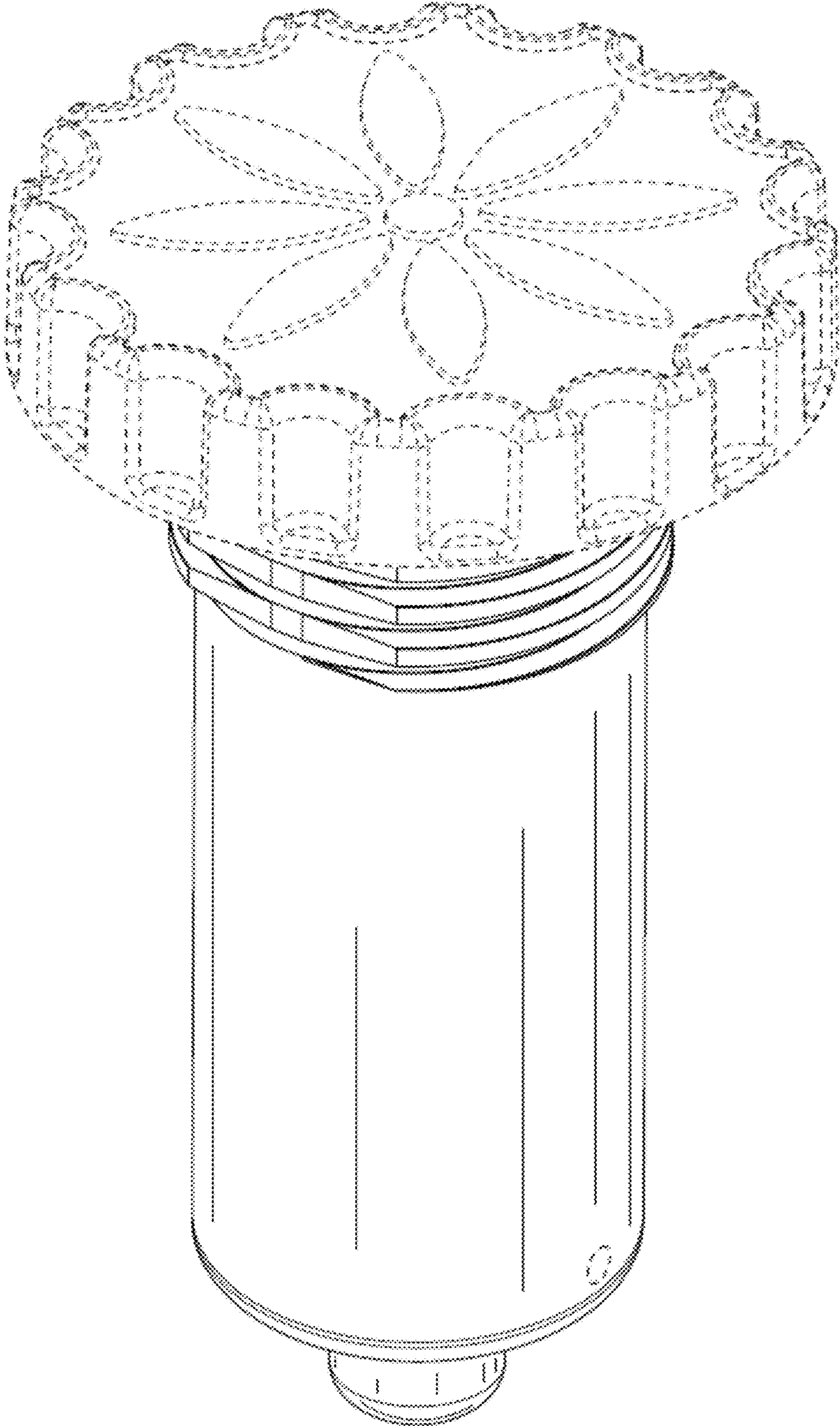


FIG. 1

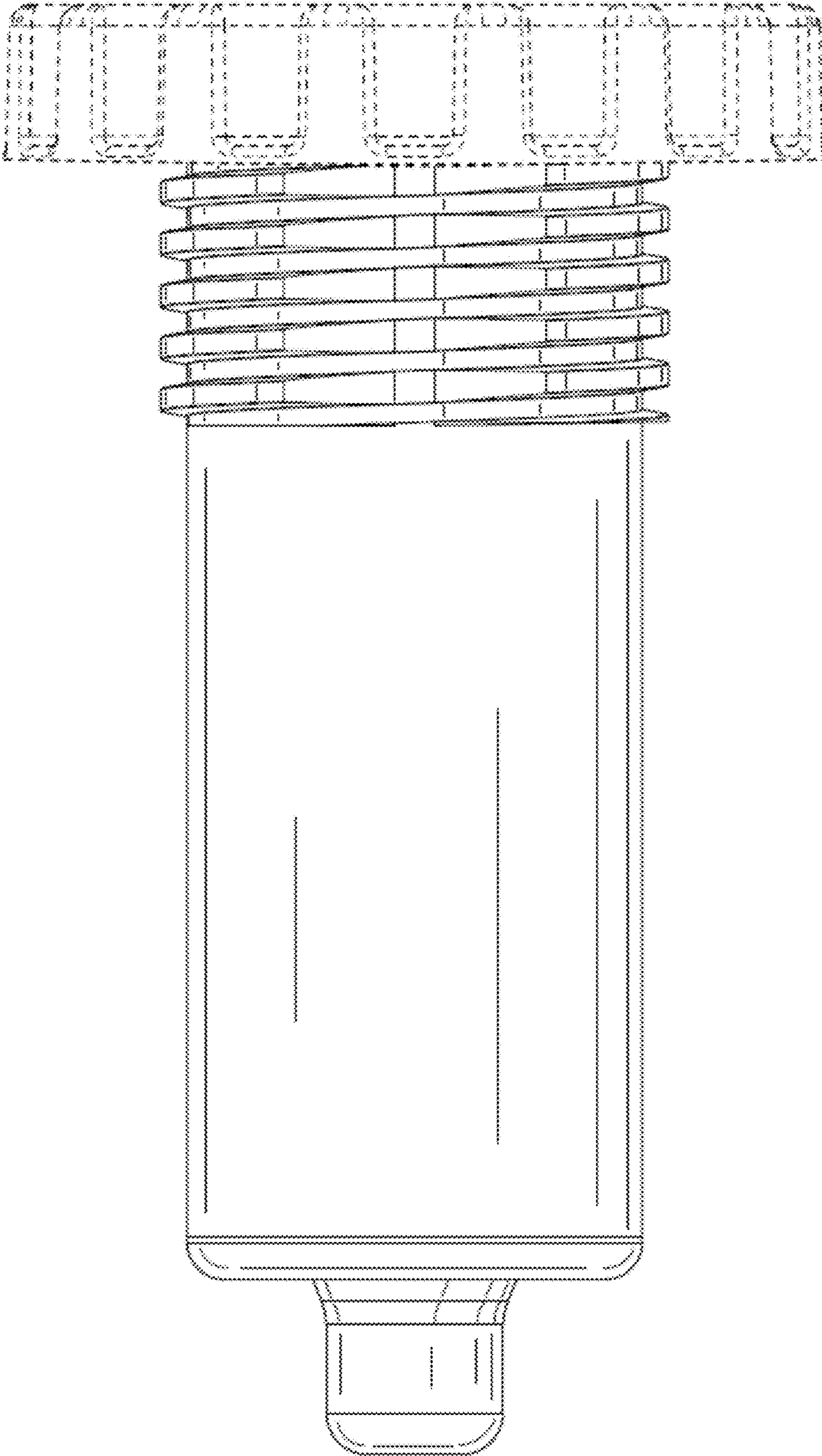


FIG. 2

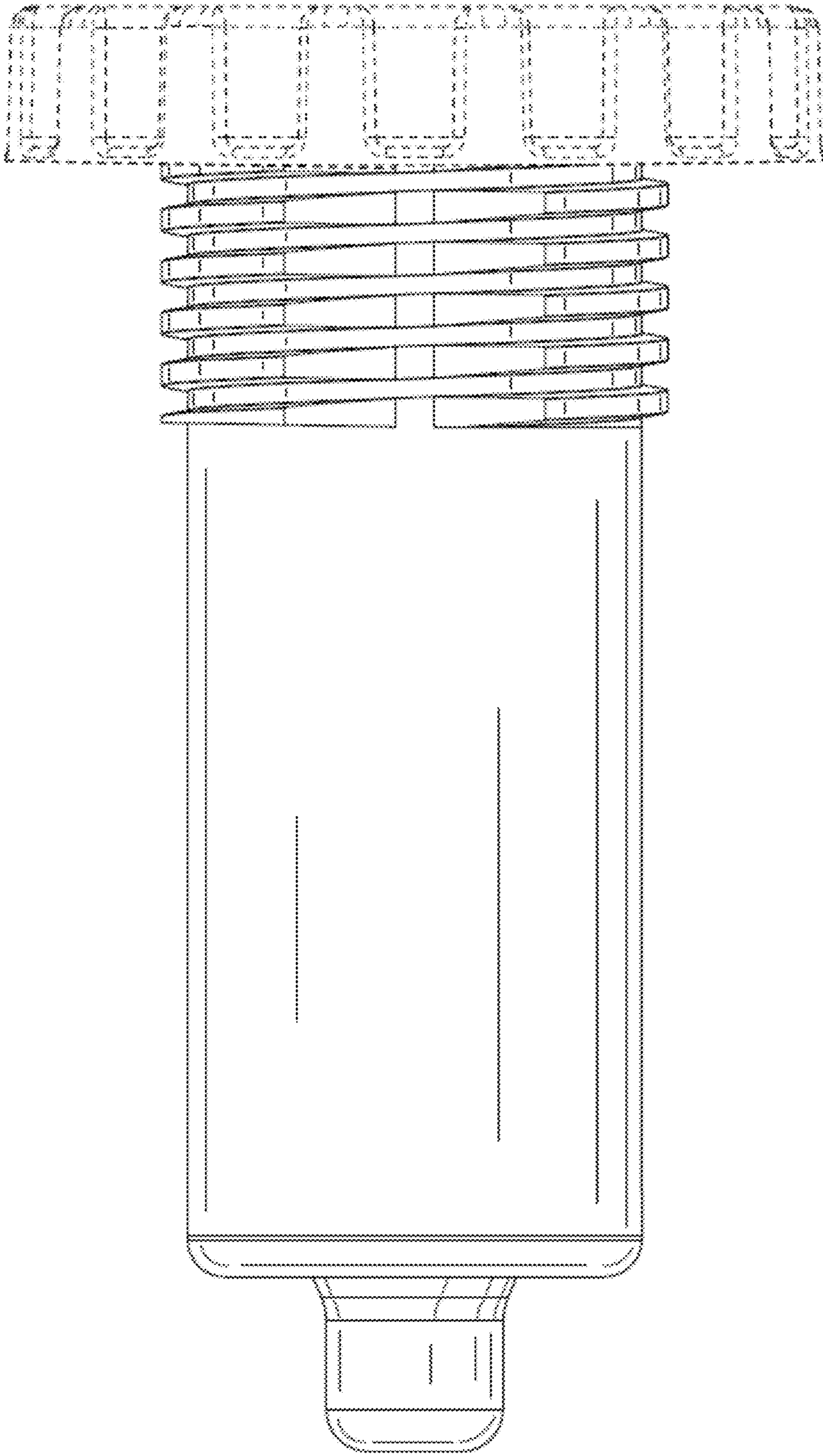


FIG. 3

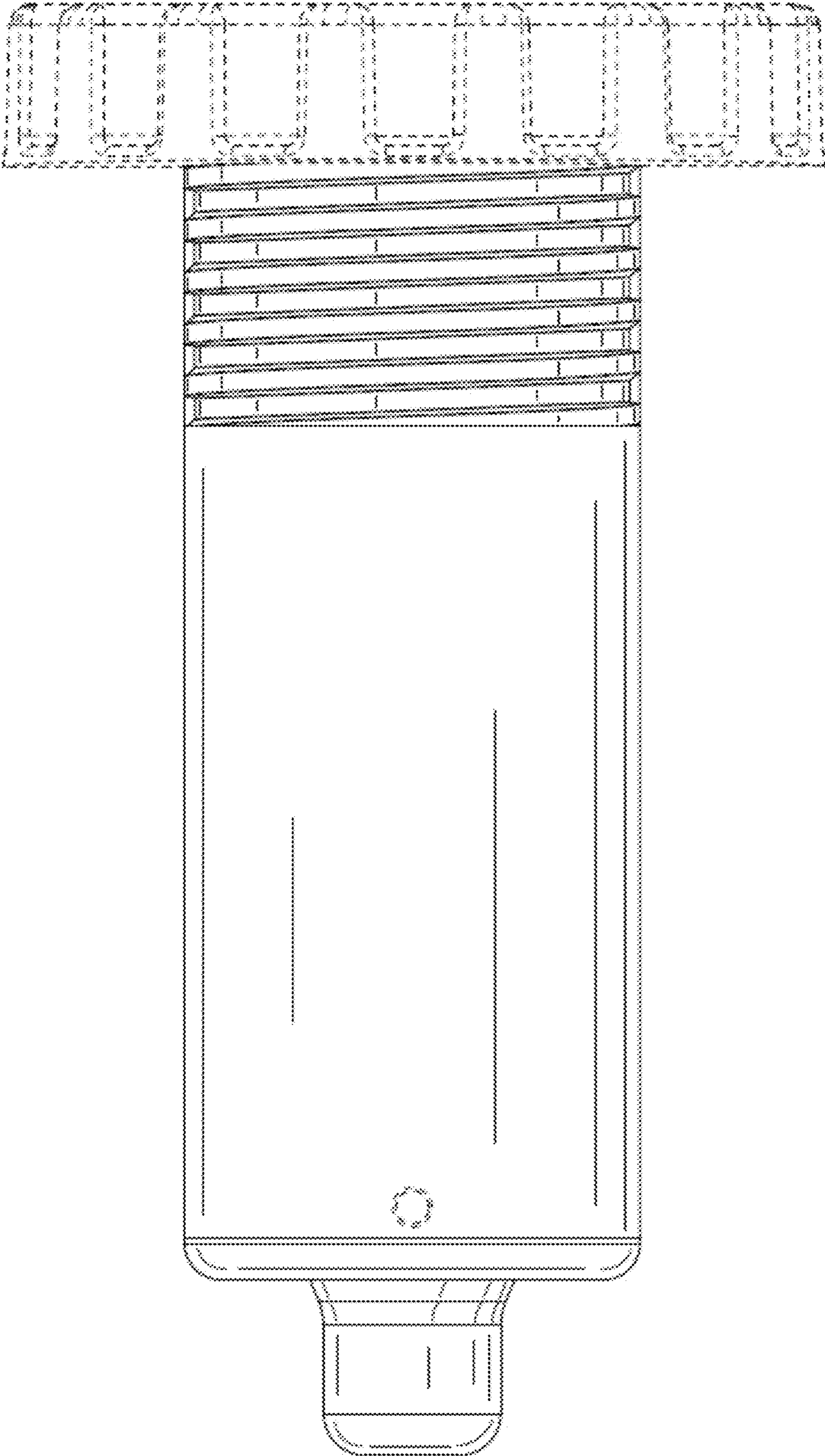


FIG. 4

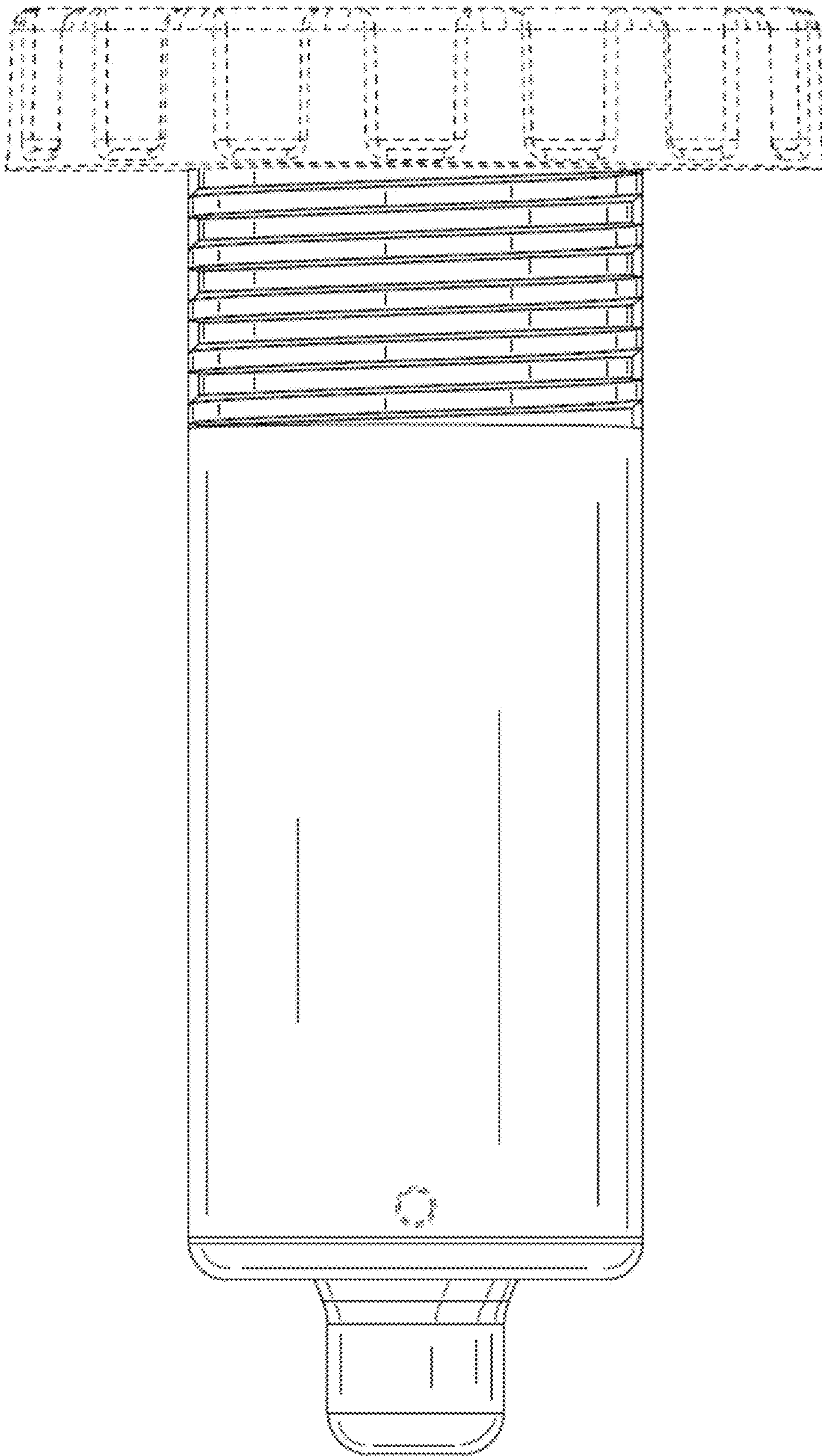
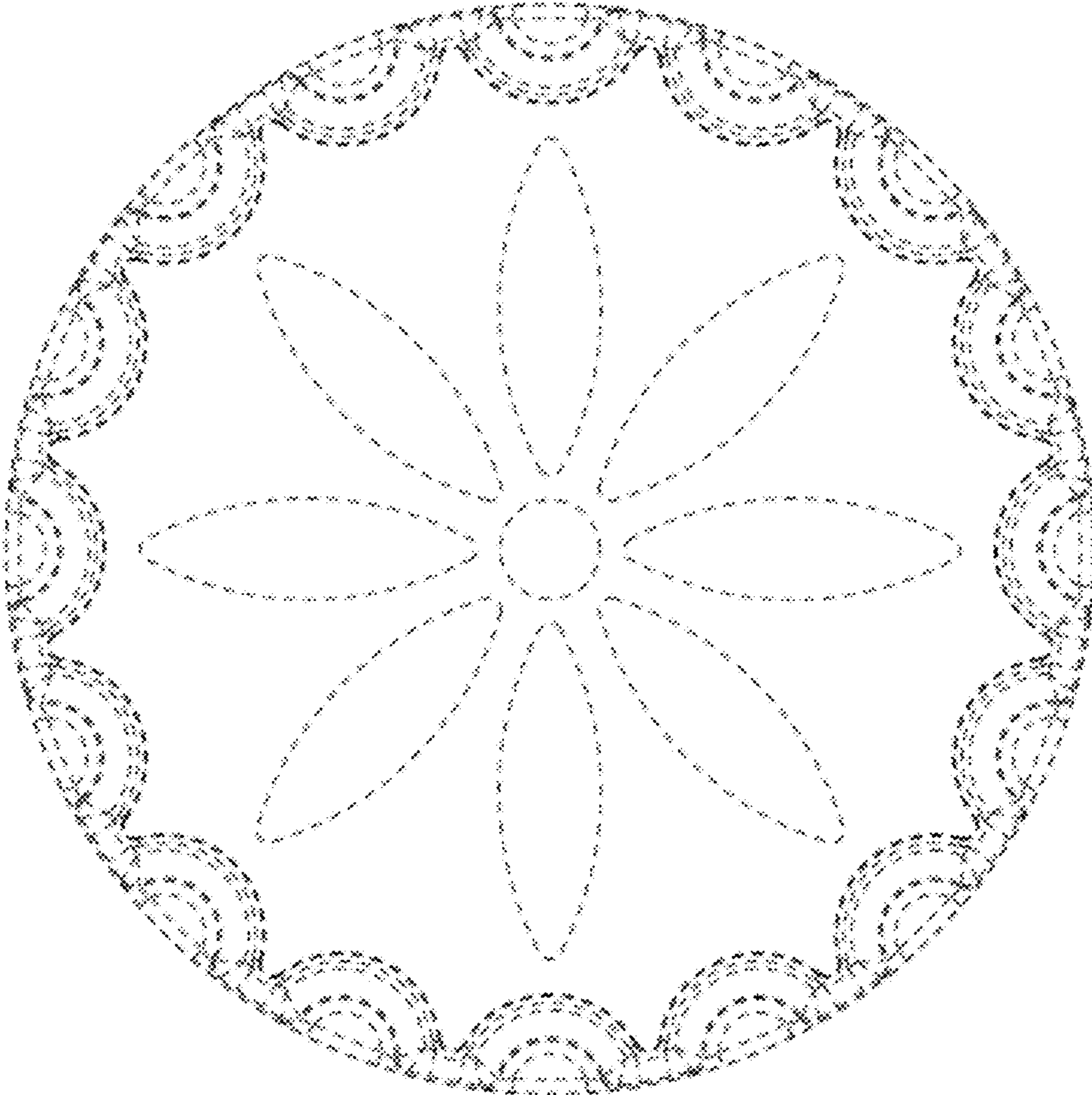
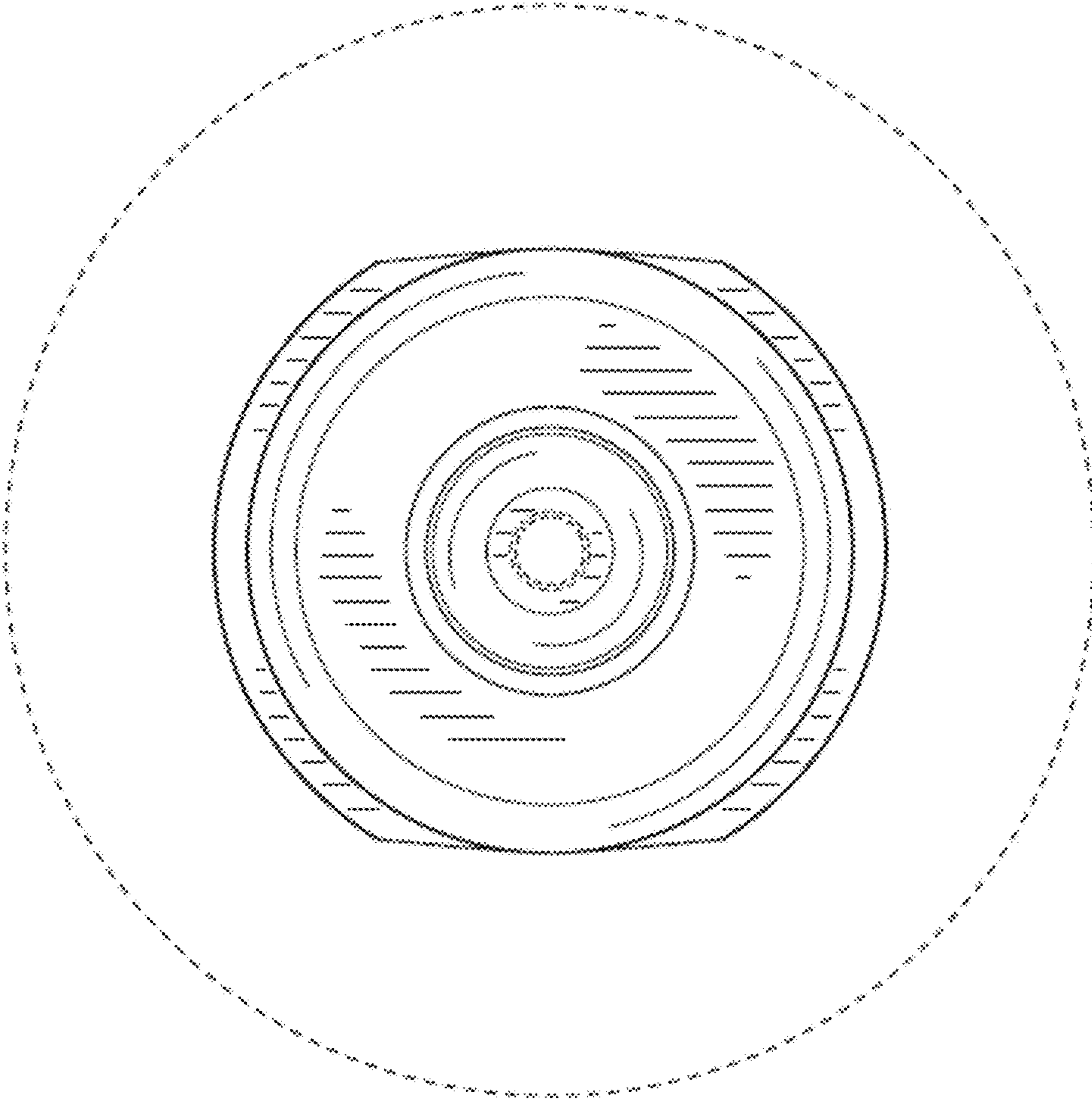


FIG. 5



**FIG. 6**





**FIG. 7**