



US00D940854S

(12) **United States Design Patent** (10) **Patent No.:** **US D940,854 S**
Liu (45) **Date of Patent:** **** Jan. 11, 2022**

(54) **TOOTH CLEANER**
(71) Applicant: **Yingan Liu**, Chongqing (CN)
(72) Inventor: **Yingan Liu**, Chongqing (CN)
(73) Assignee: **Aero Technology (Guang dong) Co., Ltd.**, Guangdong (CN)
(**) Term: **15 Years**
(21) Appl. No.: **29/715,667**
(22) Filed: **Dec. 4, 2019**
(51) **LOC (13) Cl.** **24-02**
(52) **U.S. Cl.**
USPC **D24/111**
(58) **Field of Classification Search**
USPC D24/152, 176-177, 111, 133
CPC A61C 17/00; A61C 17/02; A61C 17/0202;
A61C 17/0205; A61C 17/005; A61C
17/0211; A61C 17/028; A61C 17/20;
A61C 17/28
See application file for complete search history.

(56) **References Cited**
U.S. PATENT DOCUMENTS
D346,212 S * 4/1994 Hosl D24/176
D510,433 S * 10/2005 Kling D24/176

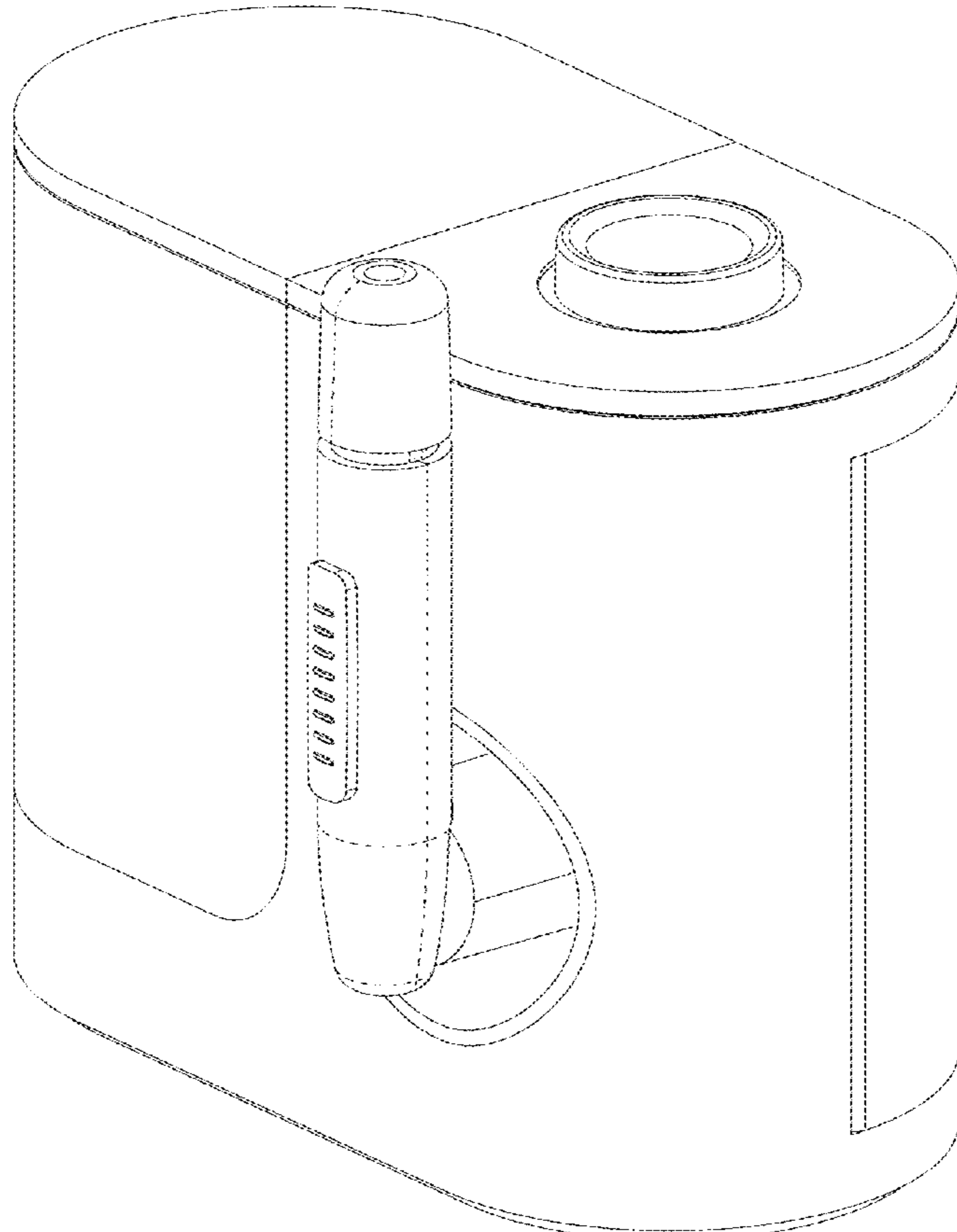
D513,638 S * 1/2006 Pan D24/111
D889,636 S * 7/2020 Senff D24/111
D912,241 S * 3/2021 Senff D24/111
D913,485 S * 3/2021 Senff D24/111
2005/0177079 A1* 8/2005 Pan A61C 17/02
601/162

* cited by examiner
Primary Examiner — Wan Laymon
(74) *Attorney, Agent, or Firm* — Justin Lampel

(57) **CLAIM**
The ornamental design for a tooth cleaner, as shown and described.

DESCRIPTION
FIG. 1 is a perspective view of a tooth cleaner showing the claimed design;
FIG. 2 is a top plan view thereof;
FIG. 3 is a rear elevational view thereof;
FIG. 4 is a bottom plan view thereof;
FIG. 5 is a right side view thereof;
FIG. 6 is a front elevational view thereof; and,
FIG. 7 is a left side view thereof.
The broken lines illustrate portions of the tooth cleaner that form no part of the claimed design.

1 Claim, 7 Drawing Sheets



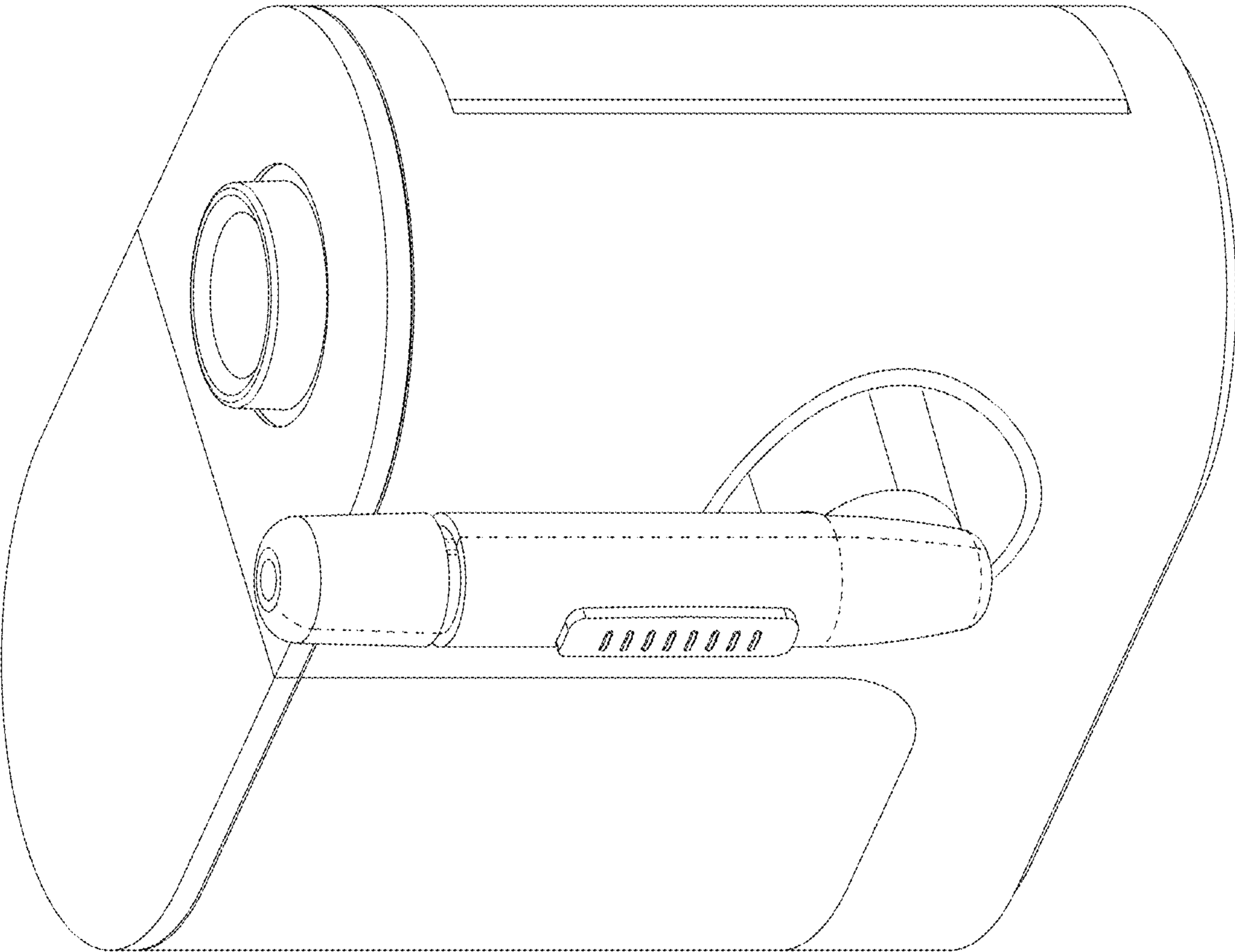


FIG. 1

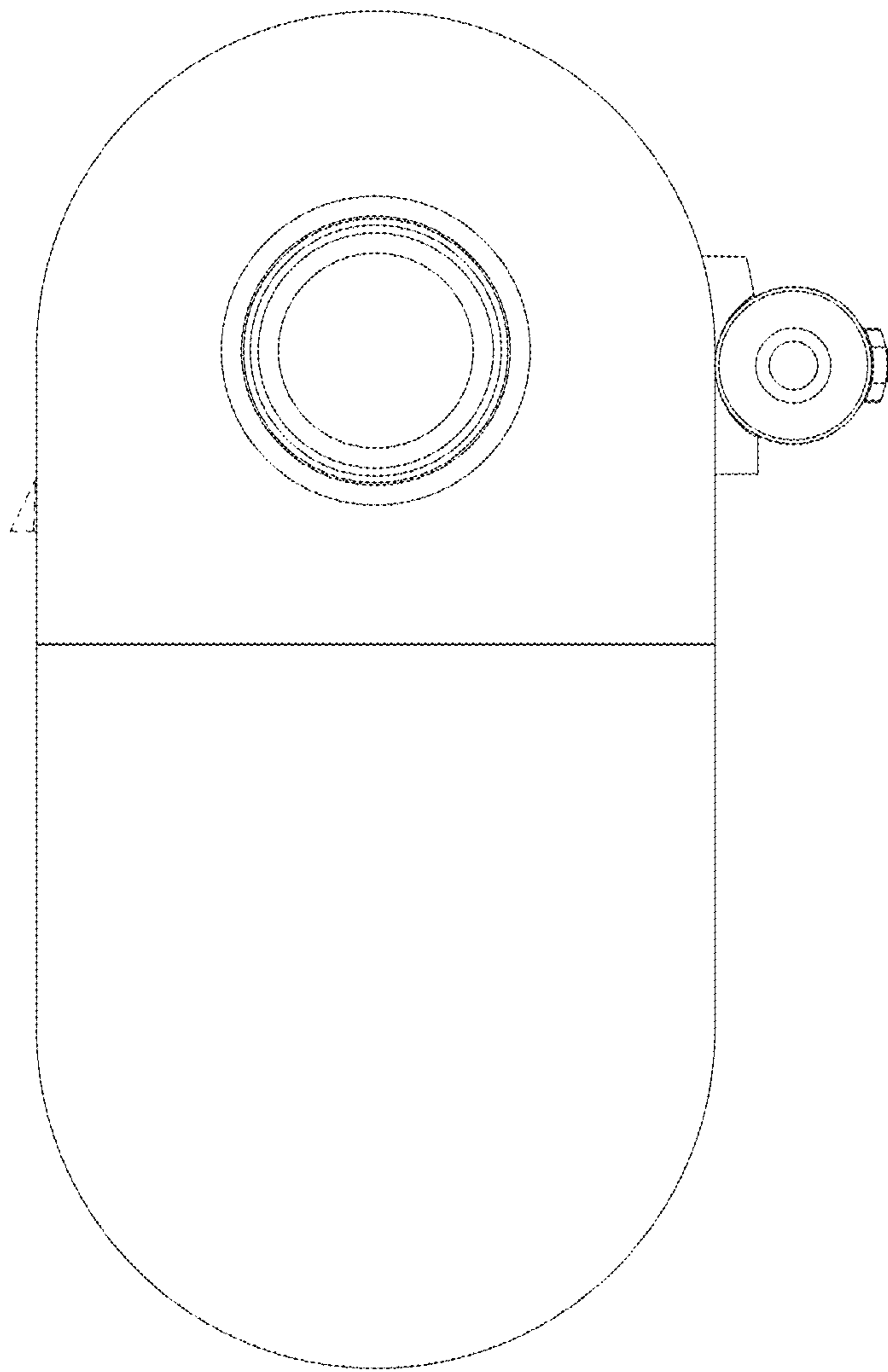


FIG. 2

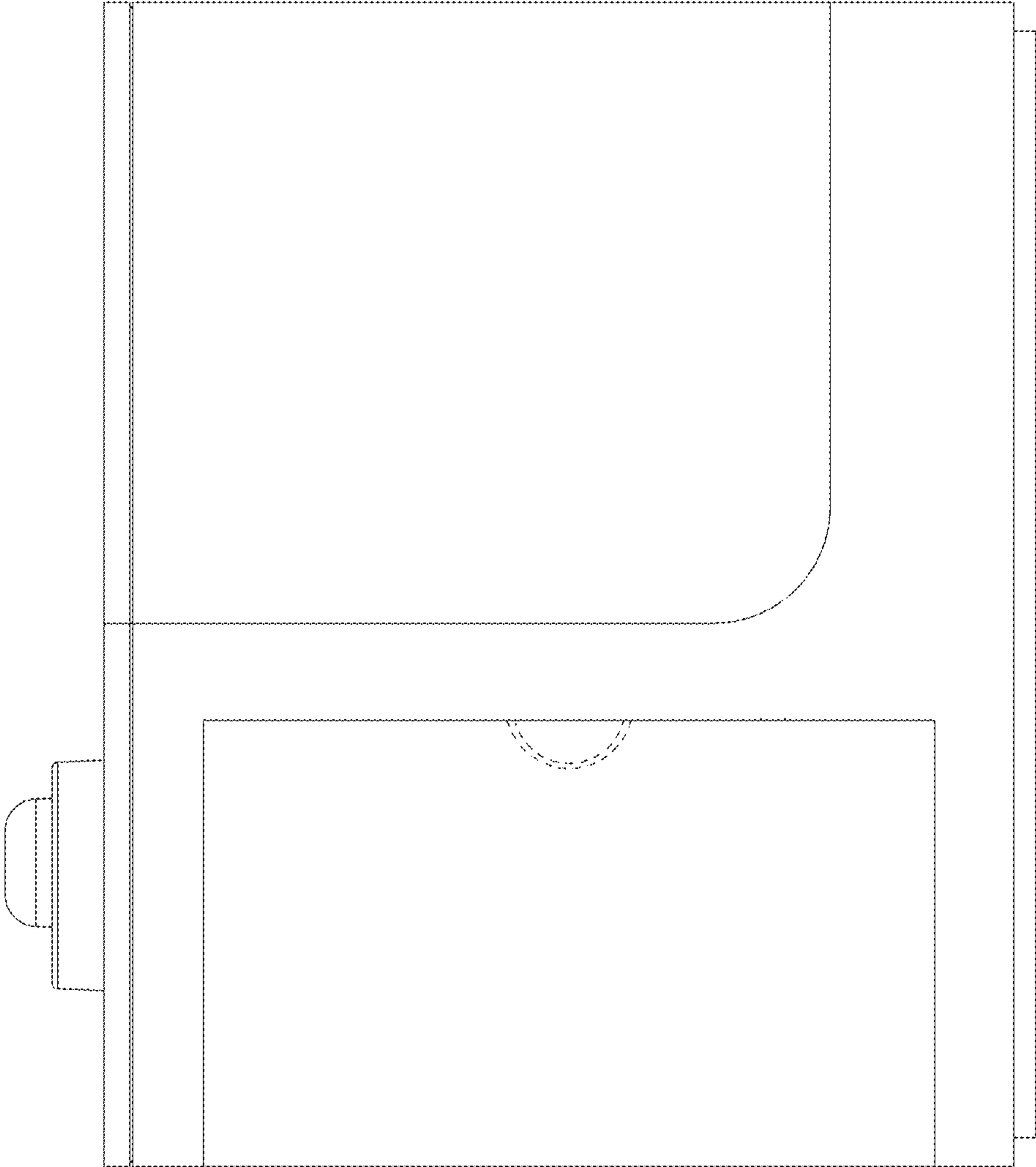


FIG.3

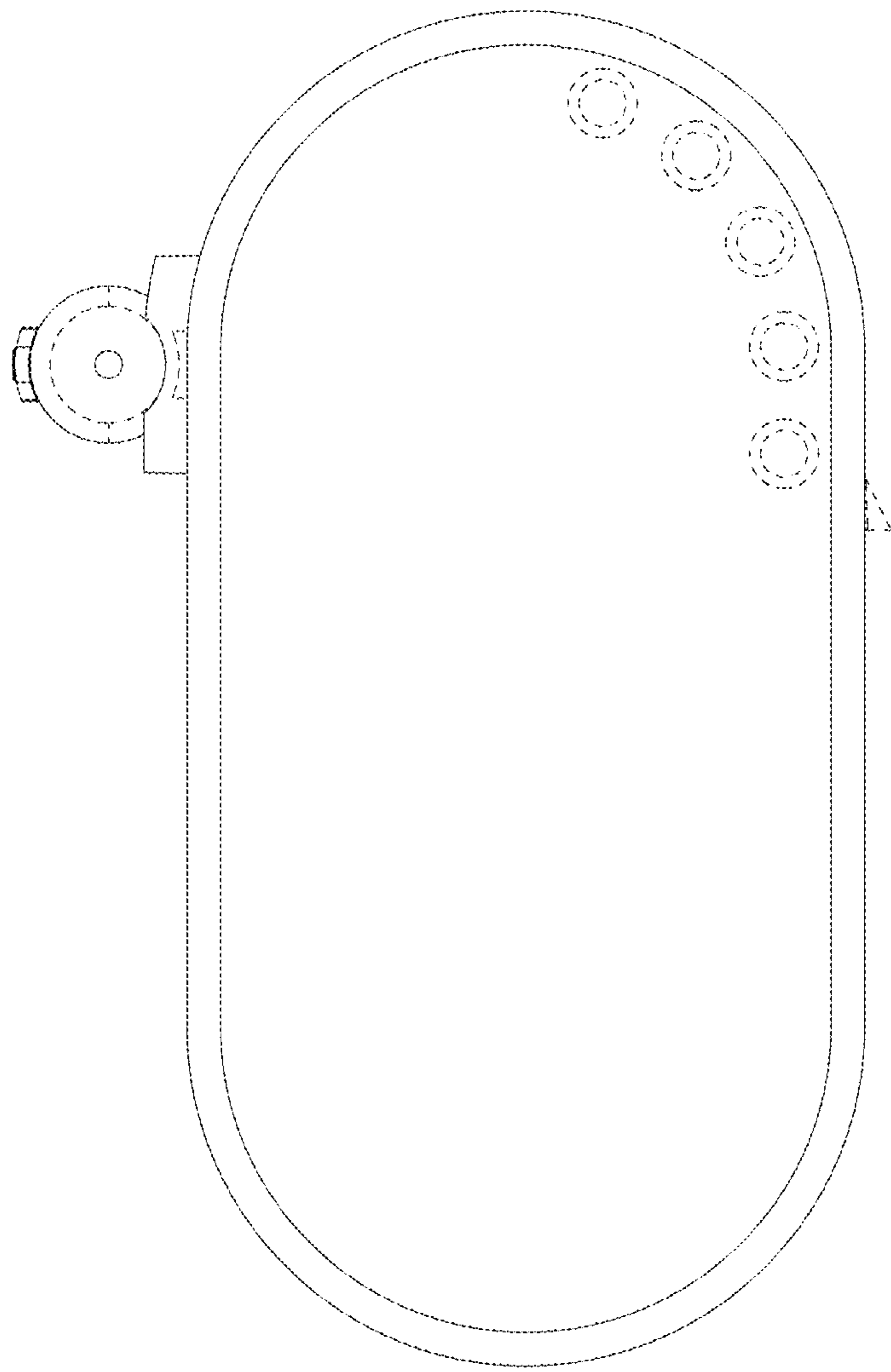


FIG.4

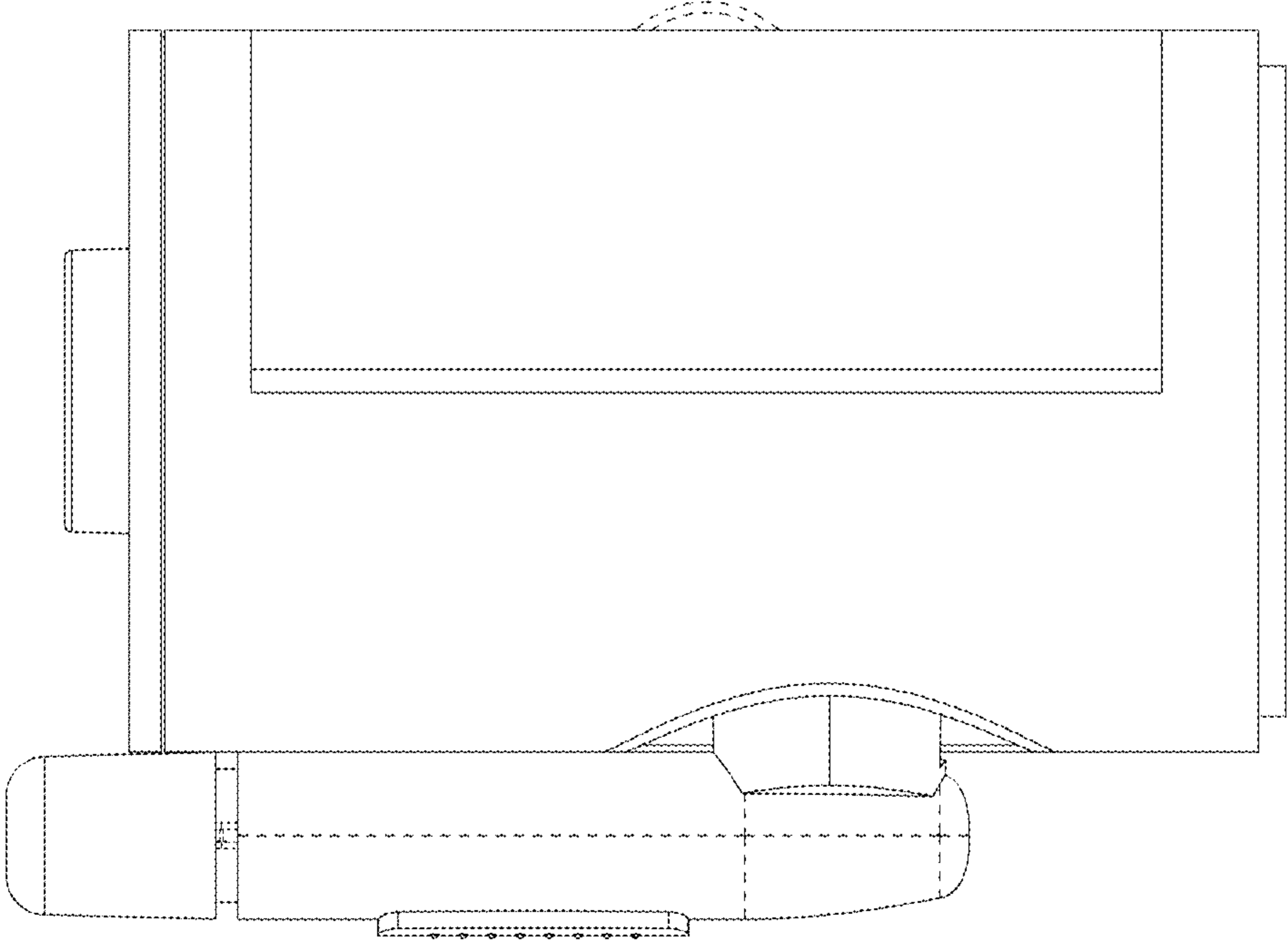


FIG. 5

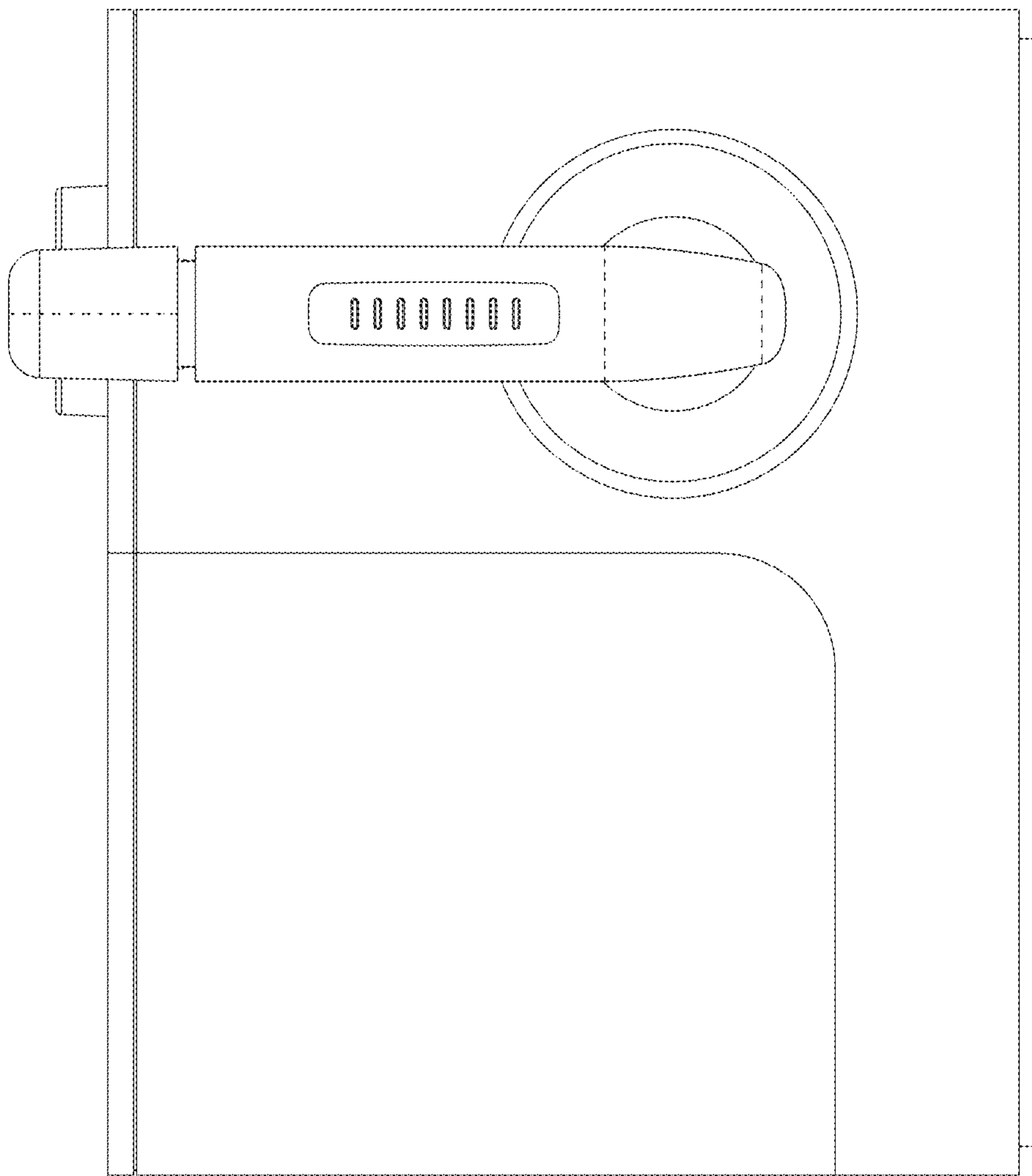


FIG. 6

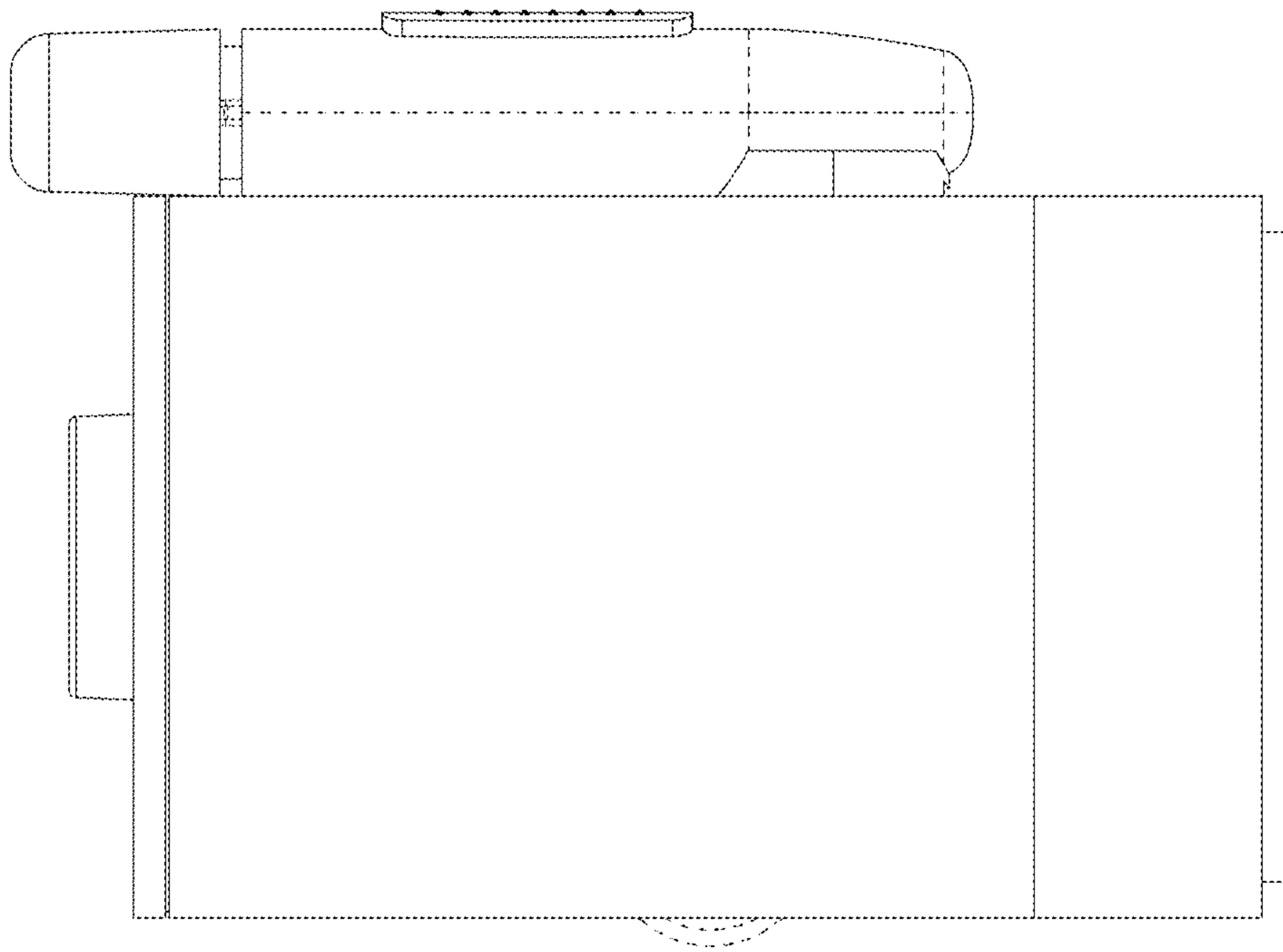


FIG.7