



US00D940853S

(12) **United States Design Patent**
Skinner

(10) **Patent No.:** **US D940,853 S**
(45) **Date of Patent:** **** Jan. 11, 2022**

- (54) **PERISTALTIC PUMP**
- (71) Applicant: **Brightwell Dispensers Limited**,
Newhaven (GB)
- (72) Inventor: **Piers Skinner**, Newhaven (GB)
- (73) Assignee: **Brightwell Dispensers Limited**,
Newhaven (GB)
- (**) Term: **15 Years**
- (21) Appl. No.: **29/608,692**
- (22) Filed: **Jun. 23, 2017**
- (30) **Foreign Application Priority Data**
Dec. 23, 2016 (EM) 003537455
- (51) **LOC (13) Cl.** **24-02**
- (52) **U.S. Cl.**
USPC **D24/111**
- (58) **Field of Classification Search**
USPC D24/111, 107, 108, 186, 169
CPC A61M 5/20; A61M 5/30; A61M 5/142;
A61M 5/14228; A61M 5/14248; A61M
5/172; A61M 5/14566; A61M 5/14244;
A61M 2005/14208; A61M 2005/502;
A61M 1/1039
See application file for complete search history.

- (56) **References Cited**
U.S. PATENT DOCUMENTS
D285,347 S * 8/1986 Nelson D24/111
D314,433 S * 2/1991 Frantz D24/111
D328,952 S * 8/1992 Arioka D10/46
D380,546 S * 7/1997 Clegg D24/111
D633,619 S * 3/2011 Collins D24/111
D714,459 S * 9/2014 Develon D24/216
D730,514 S * 5/2015 Boaz D24/111
D789,516 S * 6/2017 Gill D24/108

D801,519 S *	10/2017	Sabin	D24/108
D803,386 S *	11/2017	Sabin	D24/108
D803,387 S *	11/2017	Bodwell	D24/108
D804,017 S *	11/2017	Sabin	D24/111
2005/0069419 A1 *	3/2005	Cull	F04B 43/1261 417/53
2005/0069437 A1 *	3/2005	Mittelstein	F04B 43/1253 417/477.2
2007/0217932 A1 *	9/2007	Voyeux	F04B 43/1253 417/477.2
2009/0087326 A1 *	4/2009	Voltenburg, Jr.	A61M 5/14232 417/477.2
2010/0008793 A1 *	1/2010	McDowell	B25B 33/00 417/1
2011/0152831 A1 *	6/2011	Rotem	A61M 5/14228 604/506
2012/0027622 A1 *	2/2012	Ashburn	A61M 5/14232 417/53
2013/0115120 A1 *	5/2013	Jarnagin	F04B 43/1284 417/477.2

* cited by examiner

Primary Examiner — Sheryl Lane
Assistant Examiner — Aula Soroush
(74) *Attorney, Agent, or Firm* — Levy & Grandinetti

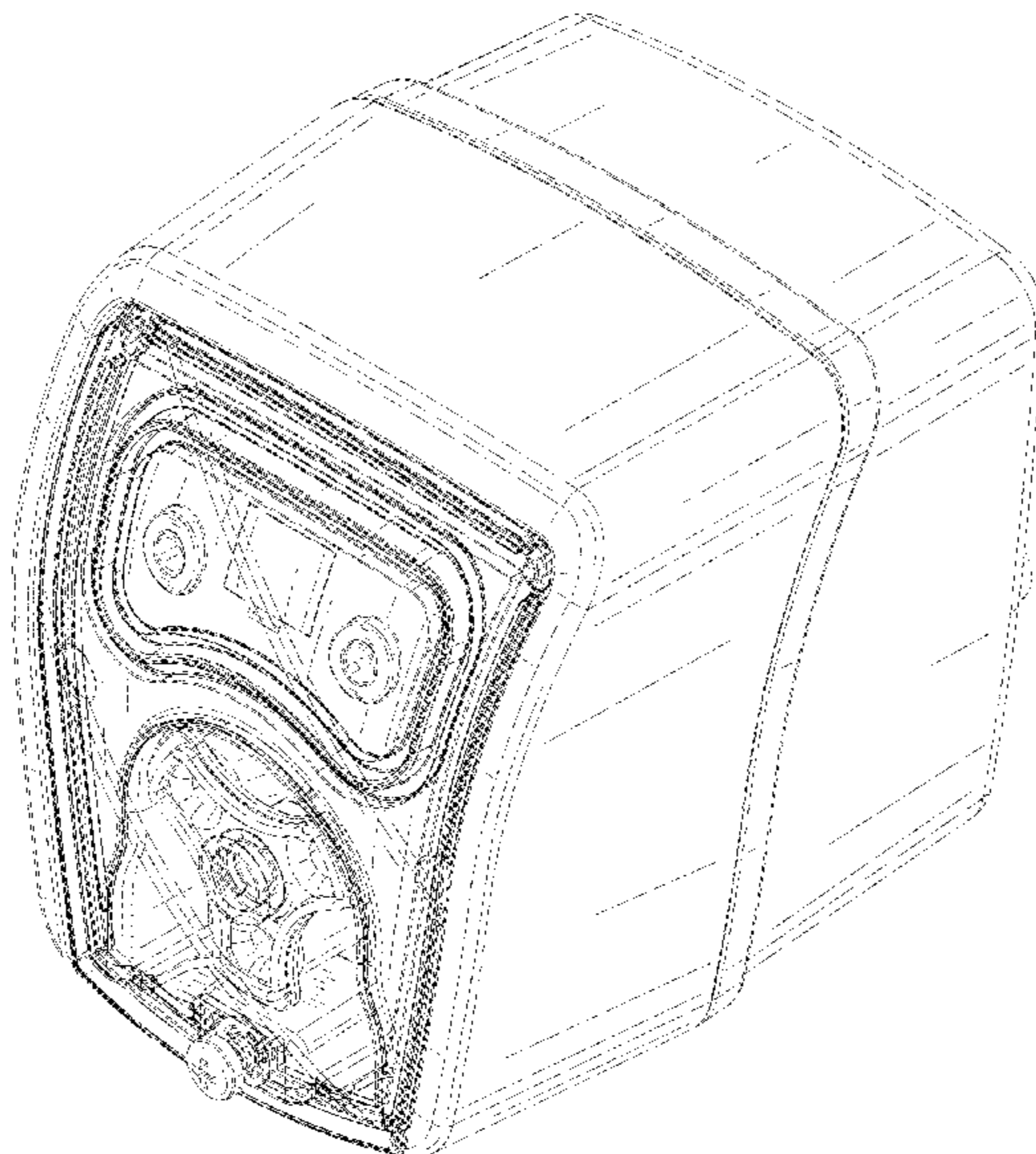
(57) **CLAIM**

The ornamental design for a peristaltic pump, as shown and described.

DESCRIPTION

FIG. 1 is a front perspective view of a peristaltic pump;
FIG. 2 is a front view of the peristaltic pump;
FIG. 3 is a back view of the peristaltic pump;
FIG. 4 is a top view of the peristaltic pump;
FIG. 5 is a bottom view of the peristaltic pump;
FIG. 6 is a left side view of the peristaltic pump; and,
FIG. 7 is a right side view of the peristaltic pump.
The broken lines showing portions of peristaltic pump form no part of the claimed design.

1 Claim, 7 Drawing Sheets



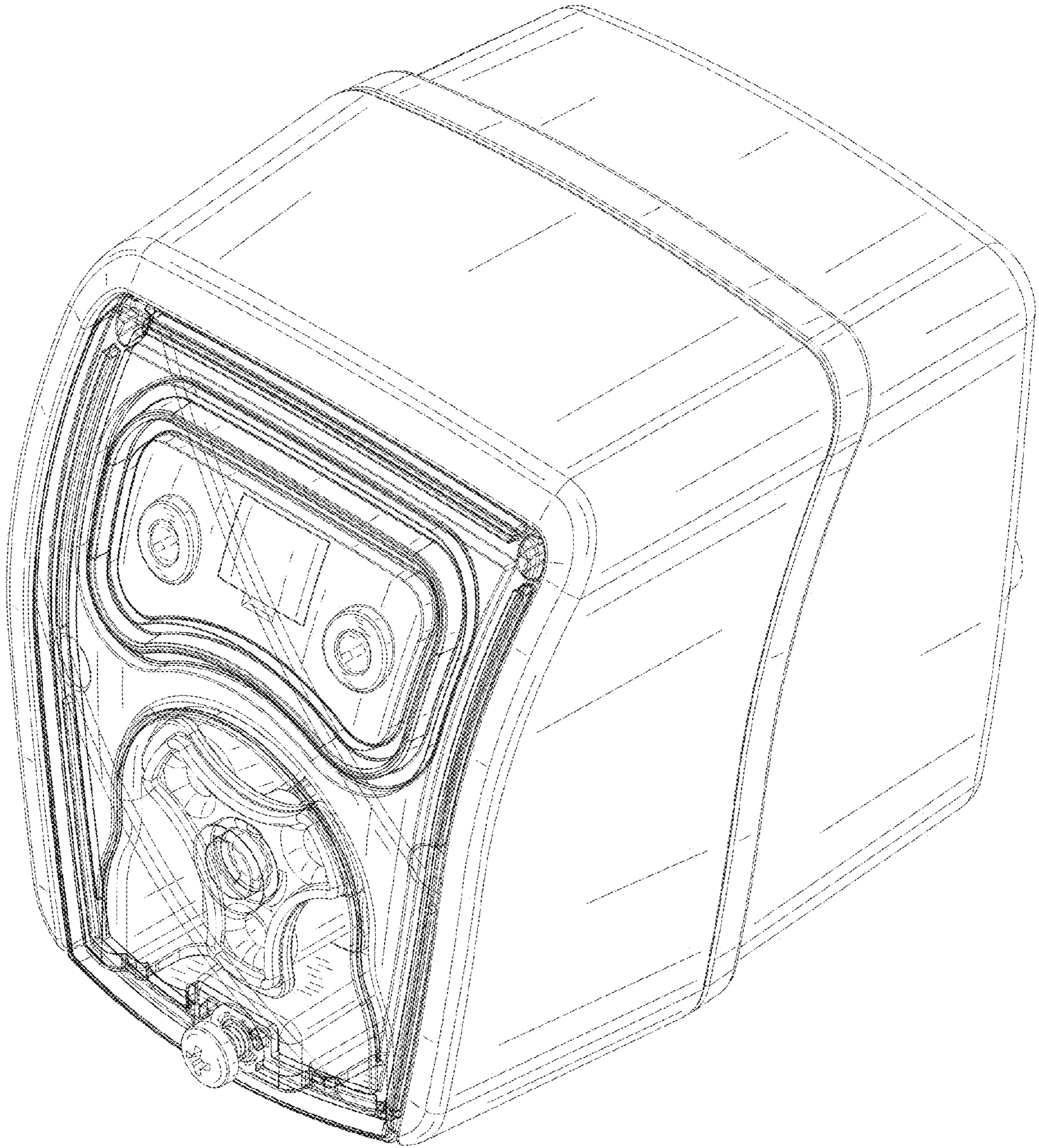


FIG. 1

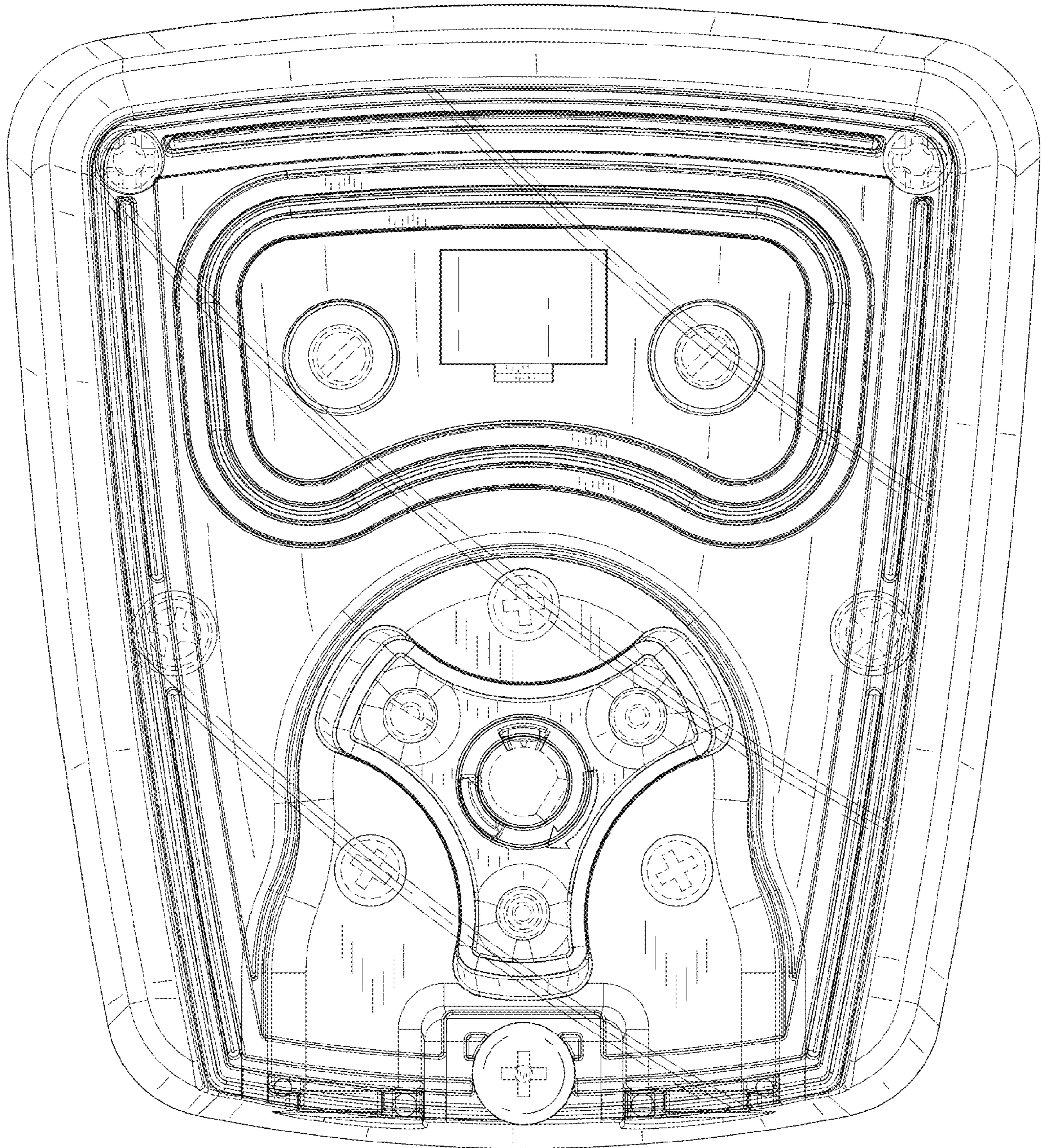


FIG. 2

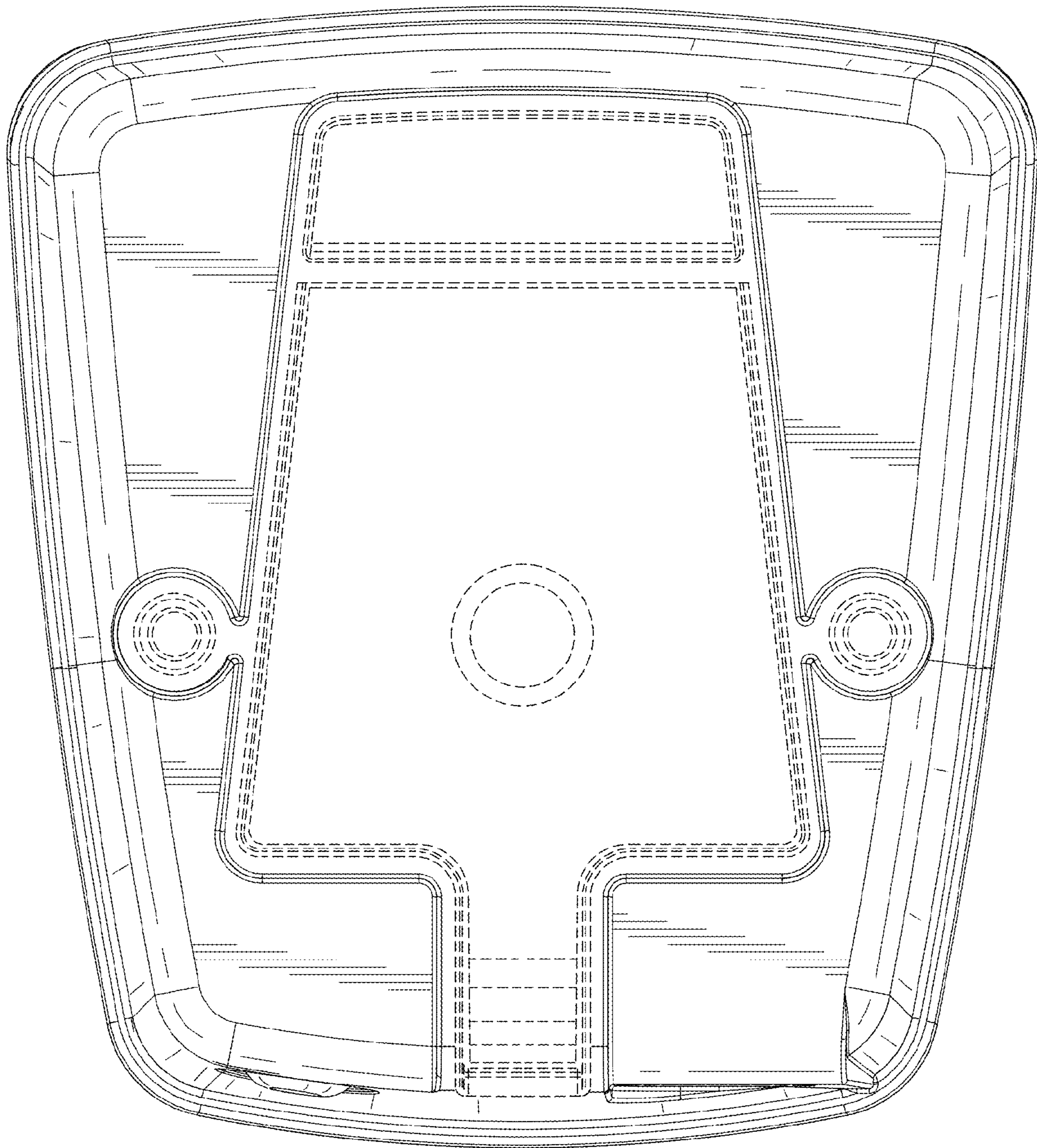


FIG. 3

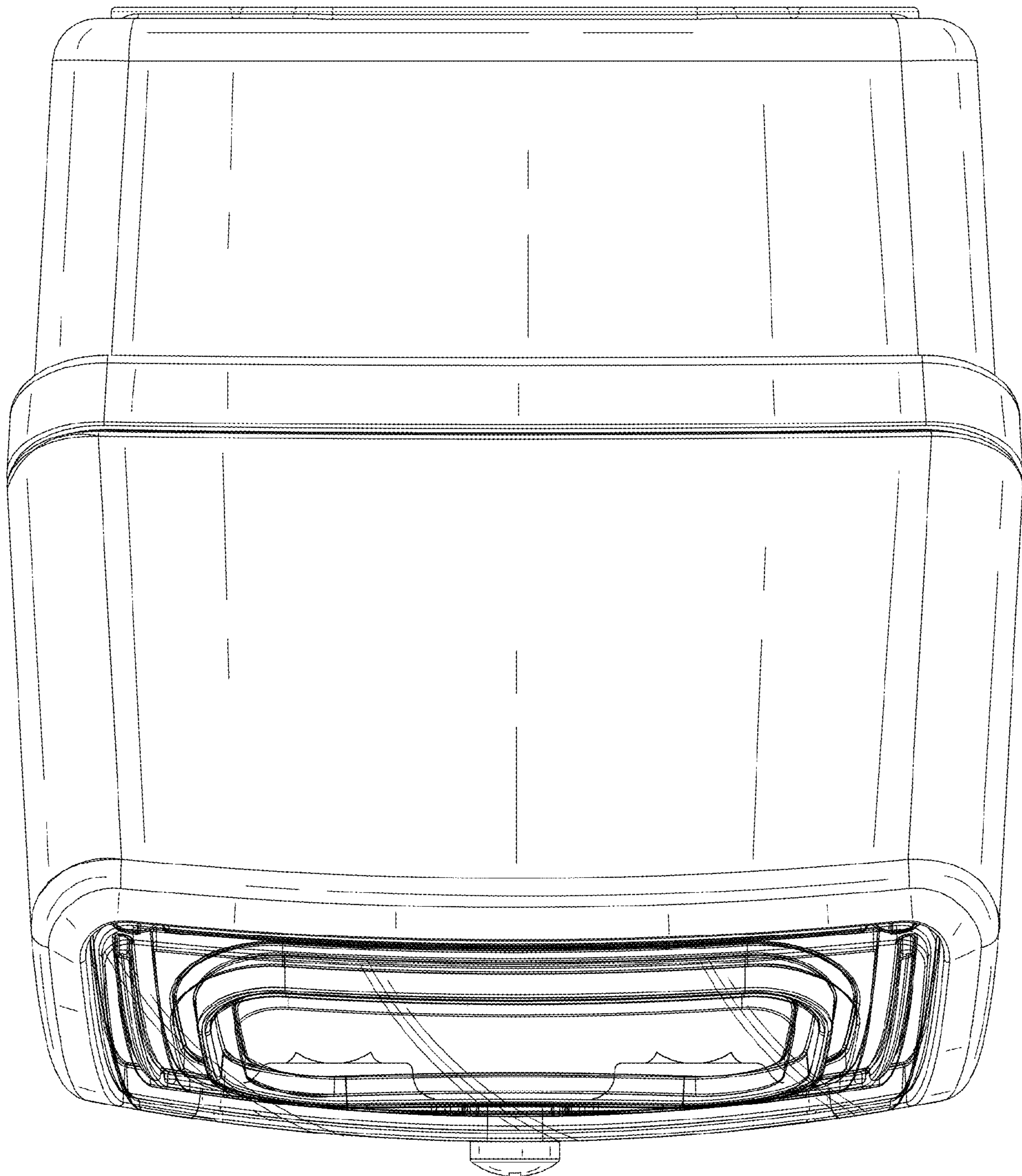


FIG. 4

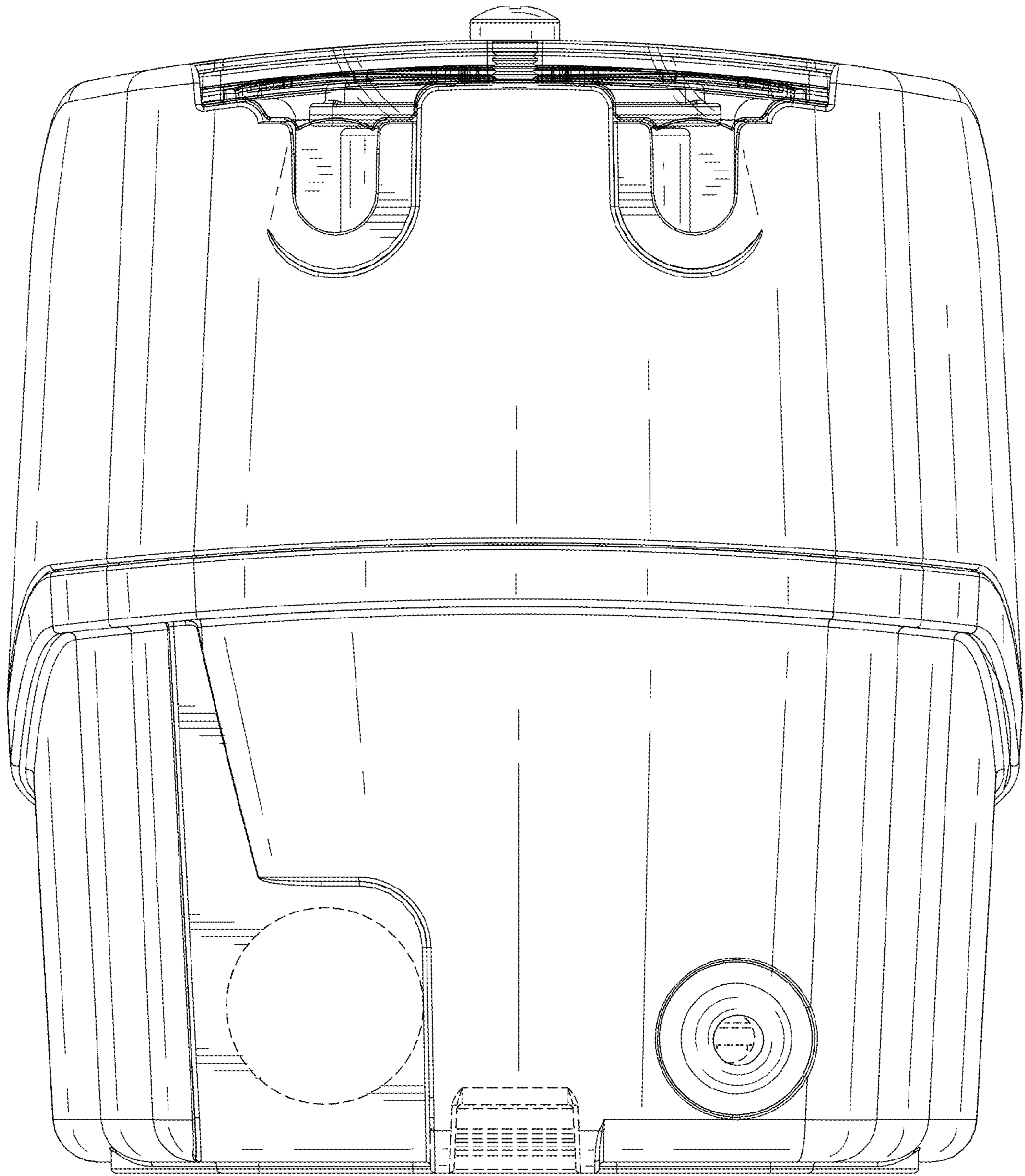


FIG. 5

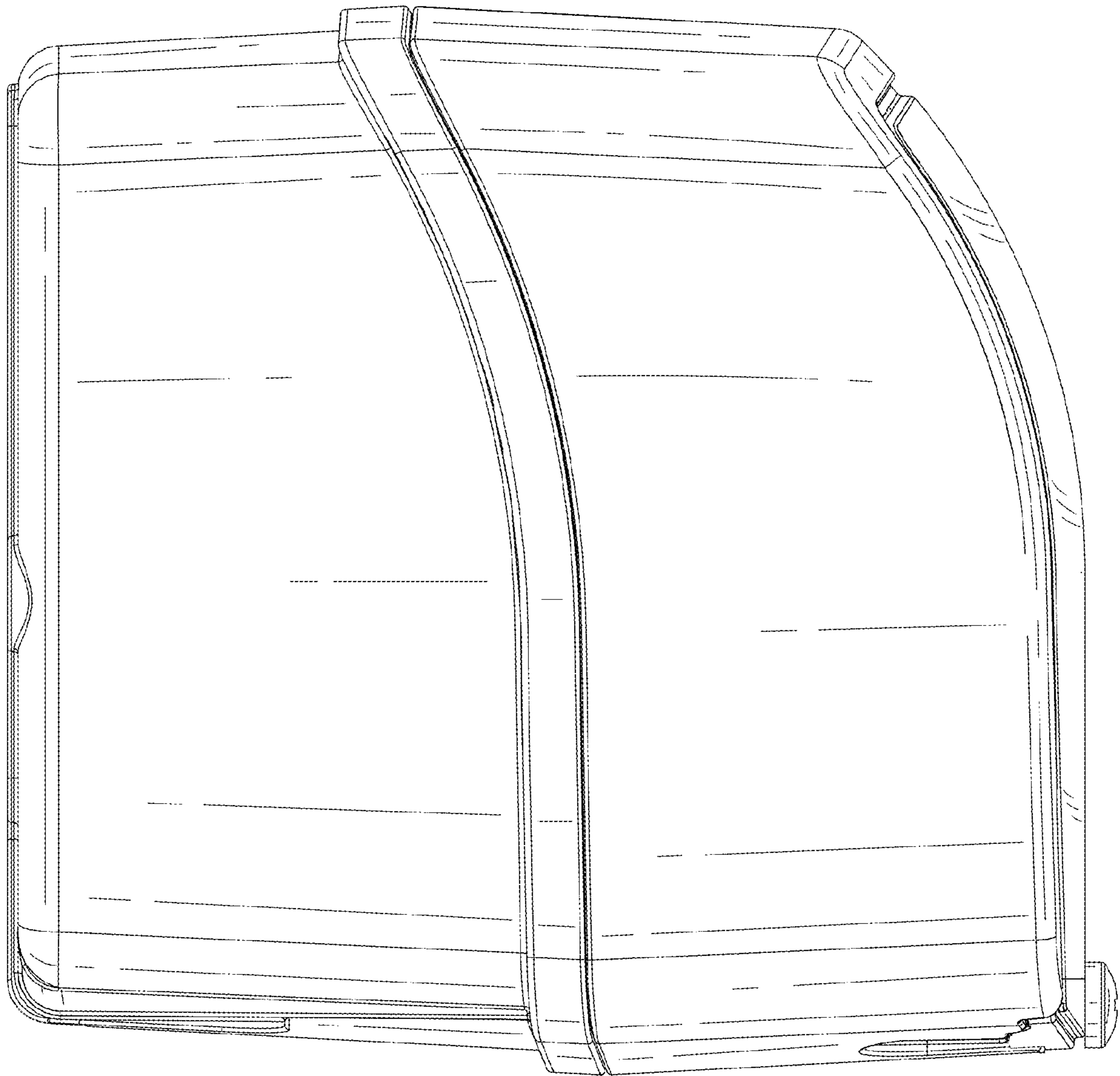


FIG. 6

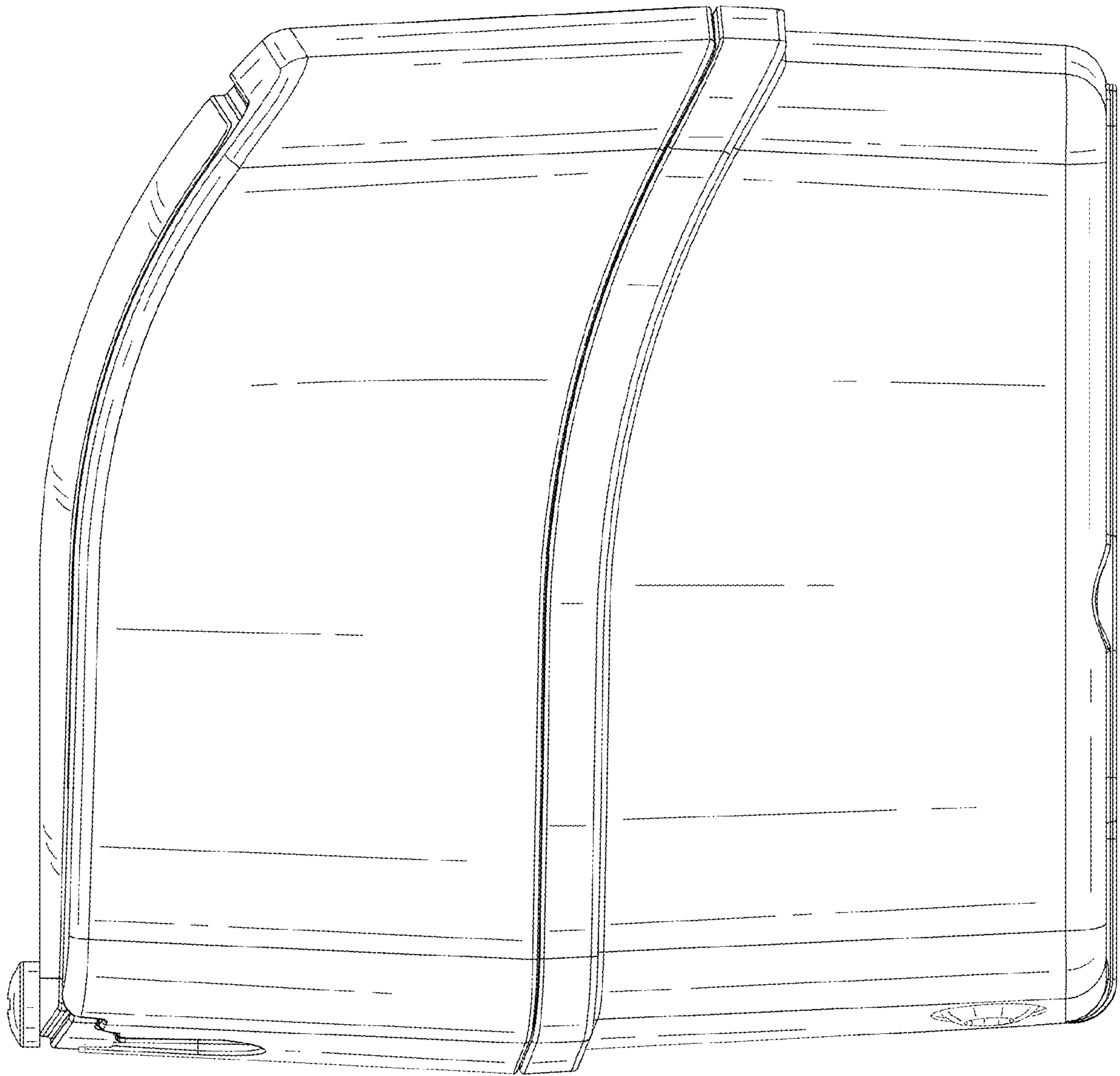


FIG. 7