

US00D940851S

(12) **United States Design Patent**
Schulzman

(10) **Patent No.:** **US D940,851 S**
(45) **Date of Patent:** **** Jan. 11, 2022**

(54) **COMBINATION CEILING FAN HOUSING AND LIGHT FIXTURE**

(71) Applicant: **Minka Lighting, Inc.**, Corona, CA (US)

(72) Inventor: **Kurt Schulzman**, Long Beach, CA (US)

(73) Assignee: **MINKA LIGHTING, INC.**, Corona, CA (US)

(**) Term: **15 Years**

(21) Appl. No.: **29/625,660**

(22) Filed: **Nov. 10, 2017**

(51) **LOC (13) Cl.** **23-03**

(52) **U.S. Cl.**
USPC **D23/411; D23/377; D26/59**

(58) **Field of Classification Search**
USPC **D23/370-385, 411-414; D26/59, 72, 85, D26/88, 89, 80-84, 90, 122, 118, 123, D26/128, 133, 136**
CPC **F04D 25/088; F21V 33/0096**
See application file for complete search history.

(56) **References Cited**

U.S. PATENT DOCUMENTS

| | | | | |
|---------------|---------|------------------|-------|-------------------------|
| D3,852 S * | 2/1870 | Letchworth | | D26/135 |
| D29,366 S * | 9/1898 | MacIntire | | D26/88 |
| 823,621 A * | 6/1906 | Mygatt | | F21V 5/00 362/340 |
| 2,308,009 A * | 1/1943 | Wittel | | F21V 7/00 362/347 |
| 2,858,381 A * | 10/1958 | Goldberg | | F21V 23/001 191/12 R |
| D186,400 S * | 10/1959 | Belau | | D26/84 |
| D194,478 S * | 1/1963 | Pettengil et al. | | D26/84 |
| D202,804 S * | 11/1965 | Bushcott | | D26/135 |
| D212,776 S * | 11/1968 | Renaud | | D26/88 |
| D240,335 S * | 6/1976 | Steinharta | | D26/6 |
| D242,943 S * | 1/1977 | Lazerson | | D26/88 |

| | | | | |
|--------------|---------|-----------|-------|---------|
| D301,758 S * | 6/1989 | Sapper | | D26/85 |
| D307,641 S * | 5/1990 | De'Armond | | D26/136 |
| D331,101 S * | 11/1992 | Rezek | | D23/377 |
| D394,103 S * | 5/1998 | Lee | | D23/377 |
| D441,127 S * | 4/2001 | Hoffbauer | | D26/135 |

(Continued)

OTHER PUBLICATIONS

Kichler 310131OZ 54" Ceiling Fan, date first available Jan. 25, 2010, amazon.com, site visited Oct. 15, 2018, Copyright © 1996-2018, Available from Internet, <https://www.amazon.com/Kichler-310131OZ-54%60%60-Ceiling-Fan/dp/B003F1ETE4/ref=sr_1_1?ie=UTF8&qid=1539614962&sr=8-1&keywords=kichler+seaside+fan>.*

(Continued)

Primary Examiner — Sharon S Oum

(74) *Attorney, Agent, or Firm* — Seyfarth Shaw LLP

(57) **CLAIM**

The ornamental design for a combination ceiling fan housing and light fixture, as shown and described.

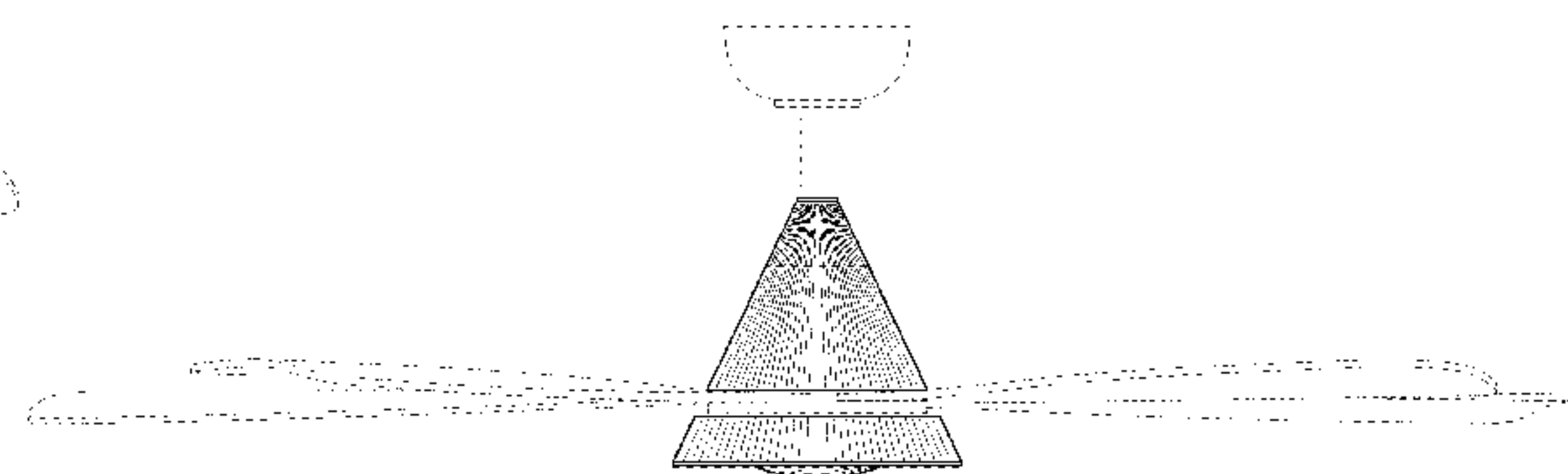
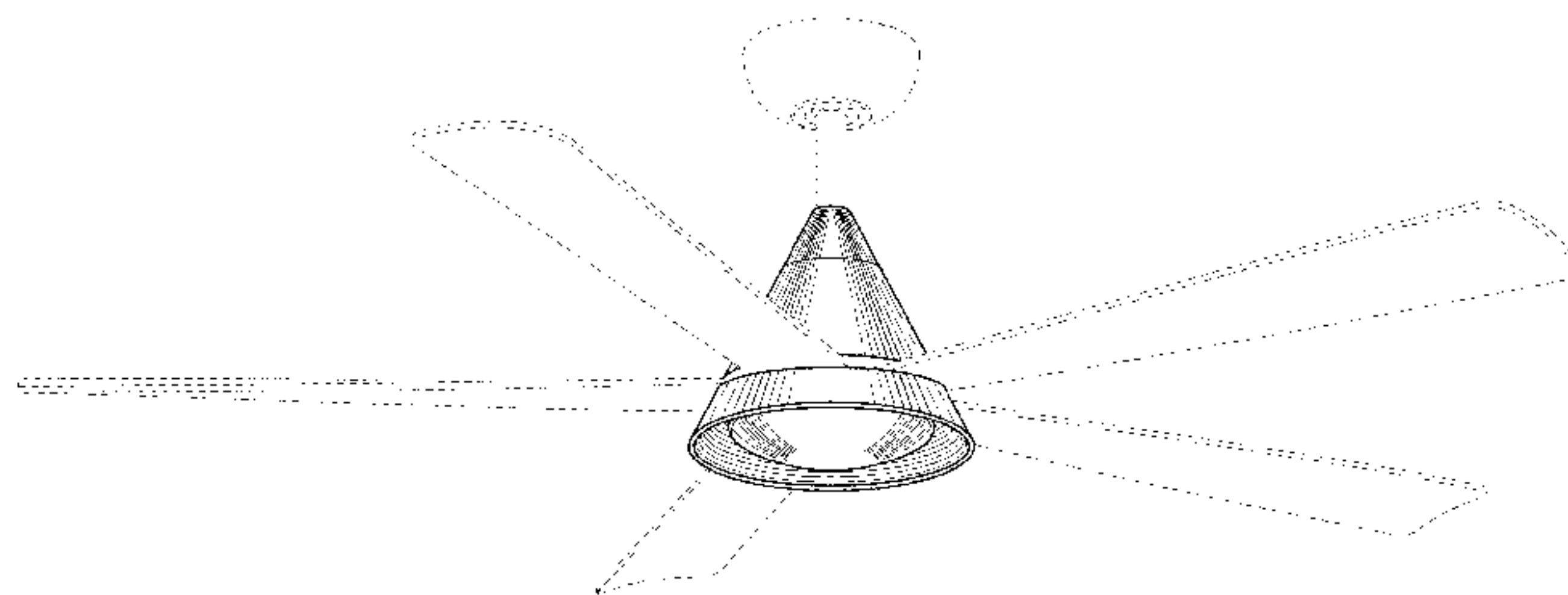
DESCRIPTION

FIG. 1 is a perspective view of a combination ceiling fan housing and light fixture in accordance with my design; FIG. 2 is a top plan view thereof; FIG. 3 is a bottom plan view thereof; FIG. 4 is a front elevation view thereof; FIG. 5 is a rear elevation view thereof; FIG. 6 is a left-side elevation view thereof; and, FIG. 7 is a right-side elevation view thereof.

The closely spaced annular lines on the interior wall of the light fixture shown in FIG. 1 and FIG. 3 are surface ornamentation. The lighter and closely spaced lines in the drawings are surface shading and are not surface ornamentation.

The broken lines in the drawings illustrate portions of the ceiling fan that form no part of the claimed design.

1 Claim, 5 Drawing Sheets



(56)

References Cited

U.S. PATENT DOCUMENTS

| | | | | | |
|--------------|------|---------|---------------|-------|-------------------------|
| D446,876 | S * | 8/2001 | Porter | | D26/72 |
| 6,315,431 | B1 * | 11/2001 | Greedy | | F04D 25/088 362/205 |
| D469,562 | S * | 1/2003 | Crasset | | D26/90 |
| D477,397 | S * | 7/2003 | Chen | | D23/411 |
| D490,181 | S * | 5/2004 | Redfern | | D26/72 |
| D551,384 | S * | 9/2007 | Rashidi | | D26/118 |
| D551,797 | S * | 9/2007 | Rashidi | | D26/118 |
| D570,030 | S * | 5/2008 | Starck | | D26/84 |
| D571,036 | S * | 6/2008 | Rashidi | | D26/118 |
| D591,896 | S * | 5/2009 | Pionski | | D26/118 |
| D605,751 | S * | 12/2009 | Yang | | D23/377 |
| D608,493 | S * | 1/2010 | Zaderej | | D26/123 |
| D641,096 | S * | 7/2011 | Markle | | D26/88 |
| D659,886 | S * | 5/2012 | Wauters | | D26/90 |
| D668,373 | S * | 10/2012 | Martin | | D26/128 |
| D686,773 | S * | 7/2013 | Tseng | | D26/118 |
| 8,602,611 | B2 * | 12/2013 | Markle | | F21S 8/06 362/249.02 |
| D715,986 | S * | 10/2014 | Anastassiades | | D26/88 |
| D734,530 | S * | 7/2015 | Cocksedge | | D26/112 |
| D749,769 | S * | 2/2016 | Krogman | | D26/88 |
| D770,667 | S * | 11/2016 | Orozco | | D26/135 |
| D790,106 | S * | 6/2017 | Lee | | D26/84 |
| D792,637 | S * | 7/2017 | Godlewski | | D26/118 |
| D796,663 | S * | 9/2017 | Mitchell | | D23/393 |
| D805,175 | S * | 12/2017 | Haggar | | D23/377 |
| D810,351 | S * | 2/2018 | Sempe | | D26/106 |
| D835,326 | S * | 12/2018 | Takagi | | D26/88 |
| D851,232 | S * | 6/2019 | Schulzman | | D23/377 |
| 2006/0256566 | A1 * | 11/2006 | Beghelli | | F21S 8/04 362/365 |

OTHER PUBLICATIONS

Minka-Aire Ceiling Fan Model F753. amazon.com 9 pgs Date First Available Mar. 28, 2012. [Retrieved Jan. 16, 2018]. <https://www.amazon.com/Minka-Aire-F753-BNW-Brushed-Outdoor-Ceiling/dp/B007PF6SSQ>.

Westinghouse Delancey Ceiling Fan Model 7208900 amazon.com 9 pgs Date First Available Mar. 10, 2017. [Retrieved Jan. 16, 2018]. <https://www.ahttps://www.amazon.com/Westinghouse-7208900-Contemporary-Delancey-Dimmable/dp/B06XHXVT77>.

Hunter Mill Valley Ceiling Fan Model 59312. amazon.com 8 pgs Date First Available Feb. 14, 2017. [Retrieved Jan. 16, 2018]. <https://www.amazon.com/Hunter-Fan-Company-59312-Ceiling/dp/B06XMQ9VT9>.

Monte Cado Nord Ceiling Fan Model 3NDR54RZWD. amazon.com 8 pgs Date First Available Jan. 12, 2017. [Retrieved Jan. 16, 2018]. <https://www.amazon.com/Monte-Carlo-3NDR54RZWD-Ceiling-Brushed/dp/B01MS6XEOE>.

Casablanca Orchid Ceiling Fan Model 59138. amazon.com 8 pgs Date First Available Jan. 30, 2016. [Retrieved Jan. 16, 2018]. <https://www.amazon.com/Casablanca-59138-Outdoor-Ceiling-Control/dp/B01B9G5N8M>.

Kichler Seaside Ceiling Fan Model 310131NI amazon.com 6 pgs Date First Available Jan. 25, 2010. [Retrieved Jan. 16, 2018]. <https://www.amazon.com/Kichler-310131NI.-54%60%60-Ceiling-Fan/dp/B003F1DGDY>.

Minka-Aire Lavery Ceiling Fan Model F683L. amazon.com 5 pgs Date First Available Apr. 21, 2017. [Retrieved Jan. 16, 2018]. https://www.amazon.com/Minka-Lavery-Ceiling-Aire-F683L-Bnw/dp/B071V2XHX9/ref=sr_1_1?ie=UTF8&qid=1516129705&sr=8-1&keywords=F683L&th=1.

* cited by examiner

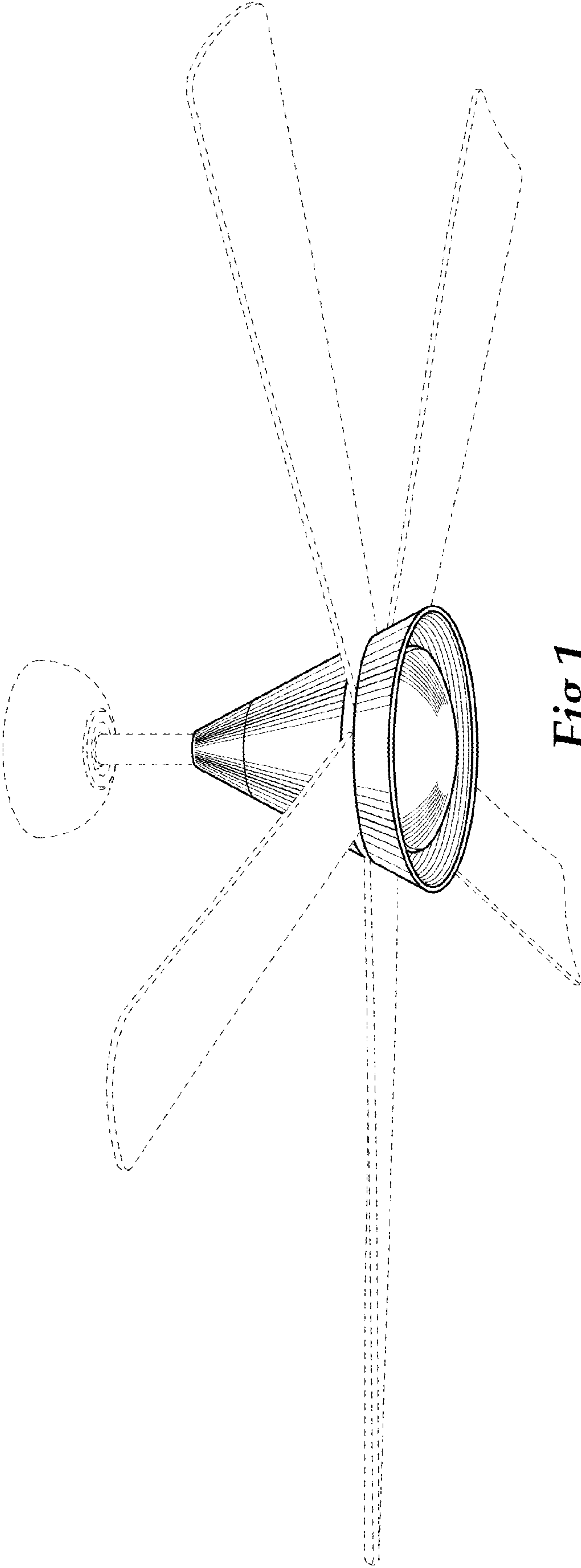


Fig.1

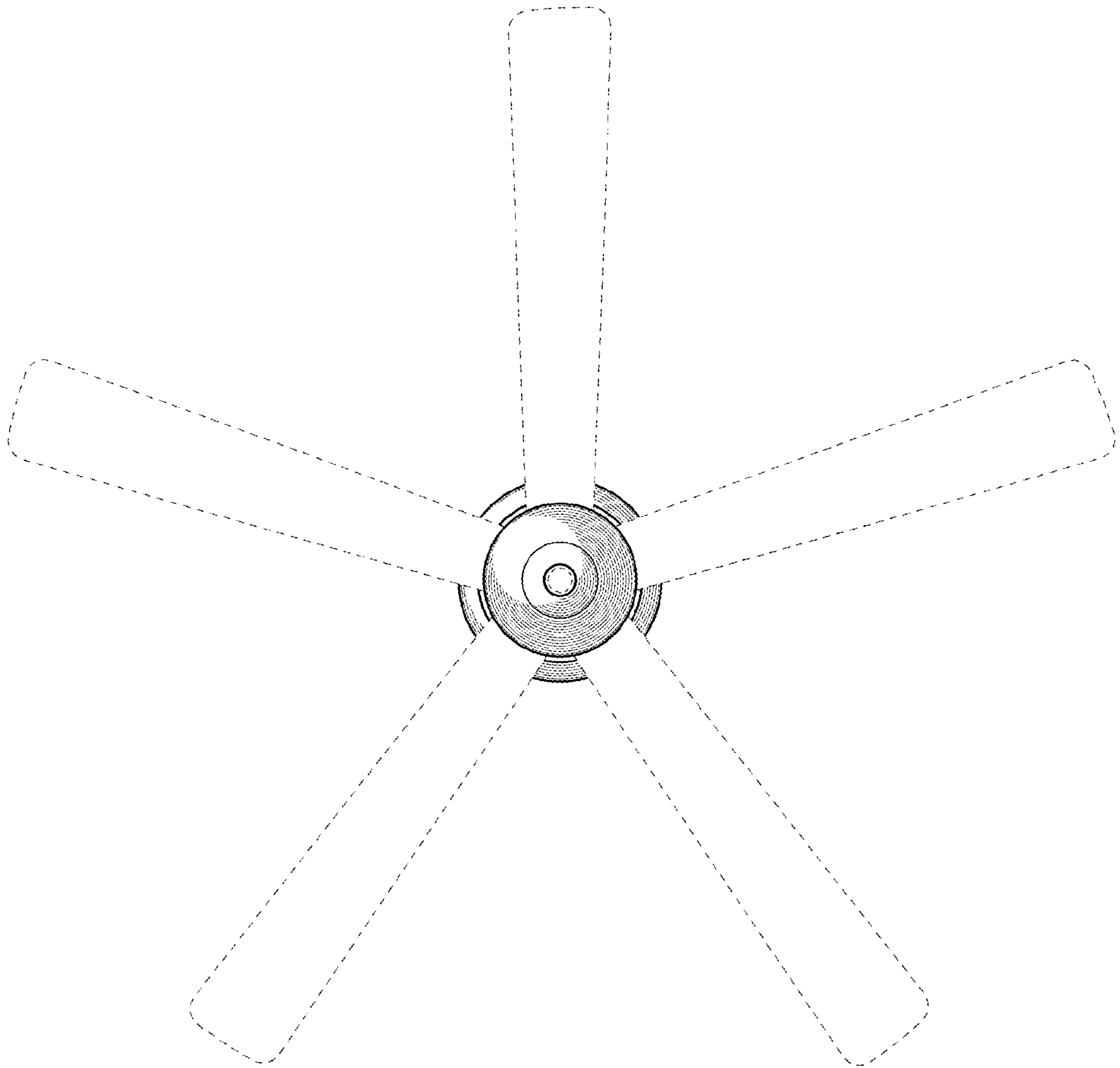


Fig.2

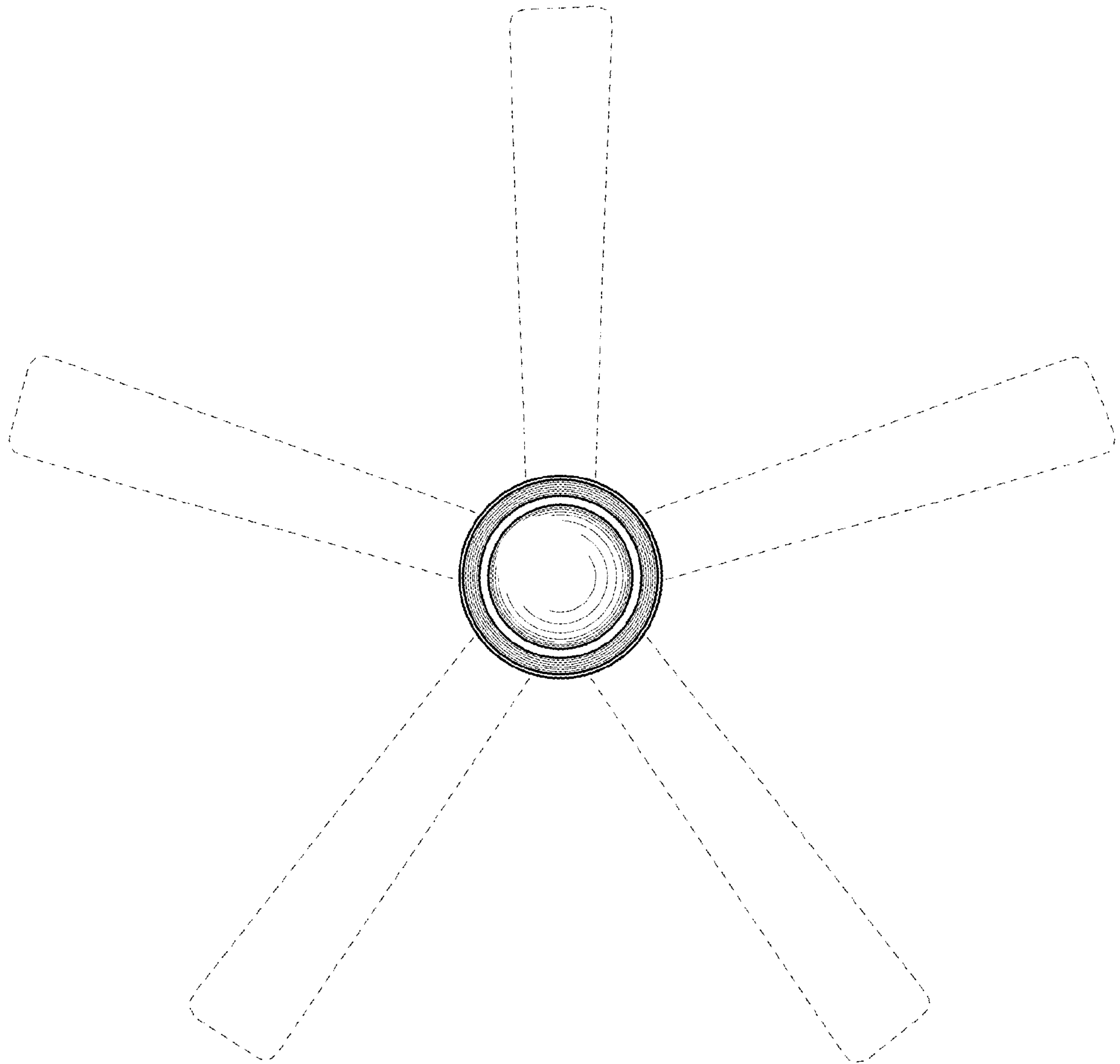


Fig.3

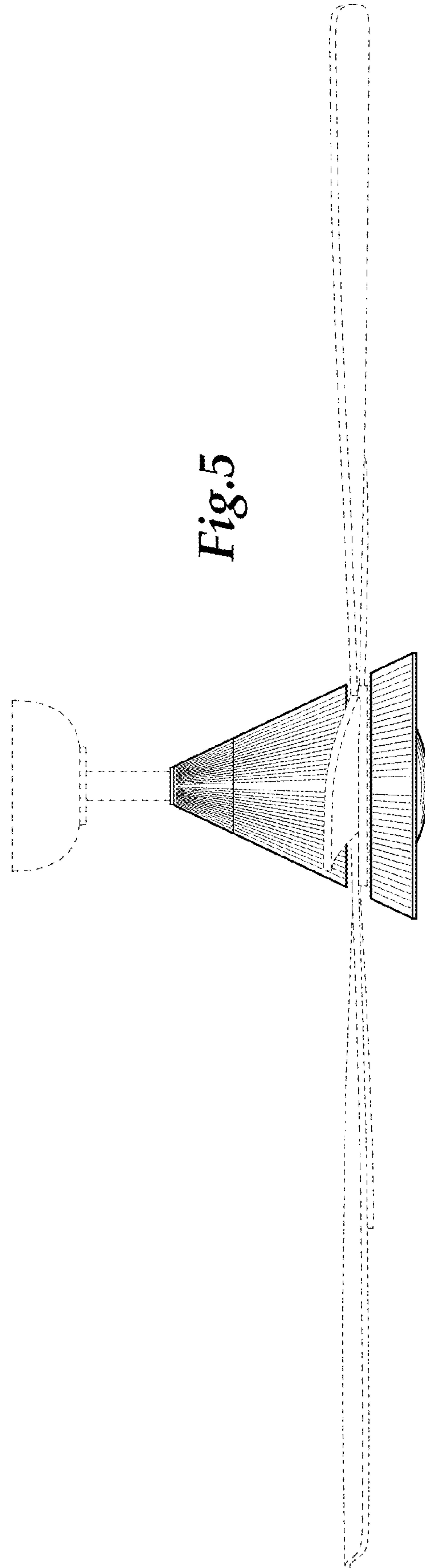
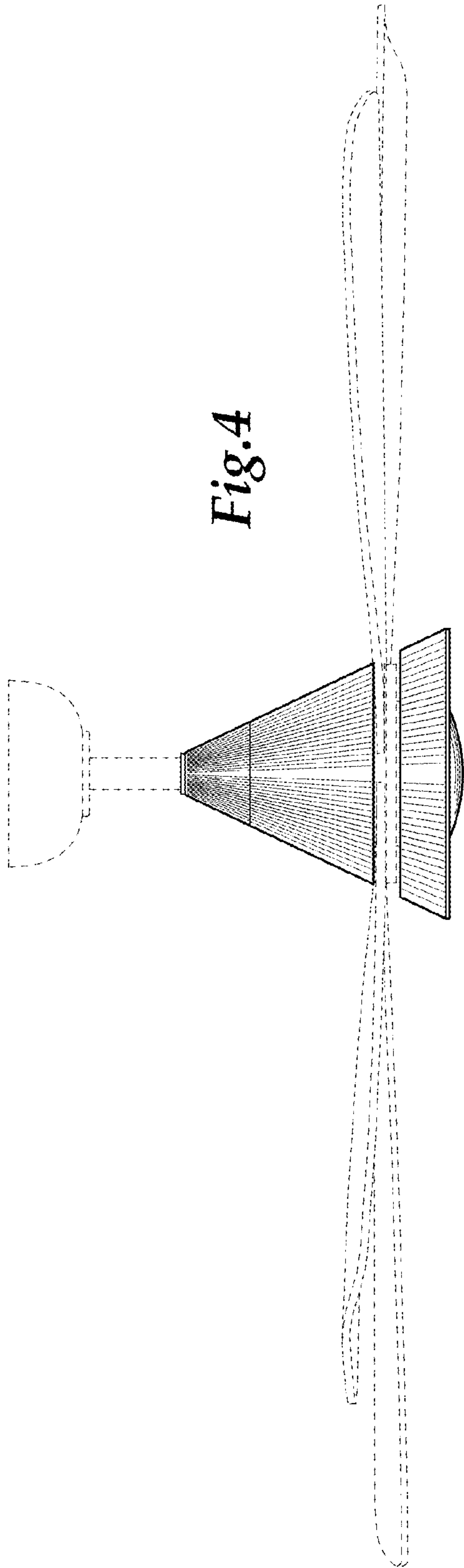


Fig.6

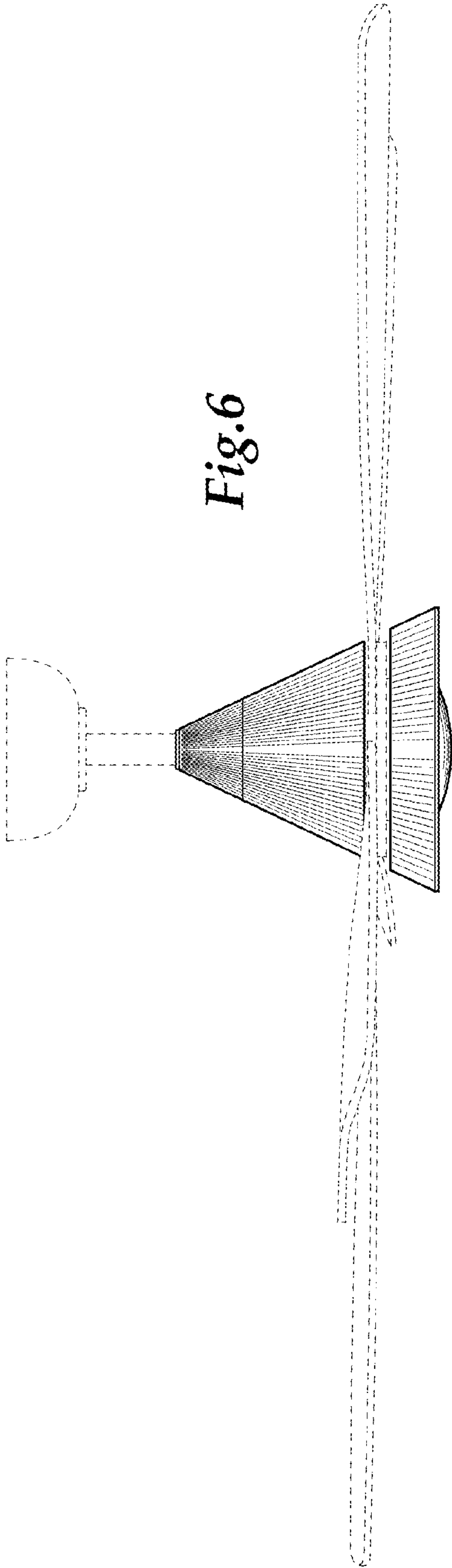


Fig.7

