

US00D940850S

(12) **United States Design Patent**
He

(10) **Patent No.:** **US D940,850 S**
(45) **Date of Patent:** **** Jan. 11, 2022**

(54) **FAN**
(71) Applicant: **Shenzhen Xunzhiyou Technology Co., Ltd.**, Guangdong (CN)
(72) Inventor: **Yifang He**, Guangdong (CN)
(73) Assignee: **Shenzhen Xunzhiyou Technology Co., Ltd.**, Shenzhen (CN)
(**) Term: **15 Years**

D923,773 S * 6/2021 Wang D23/382
D933,803 S * 10/2021 He D23/382
2014/0112791 A1* 4/2014 Abell F04D 29/601
416/159

* cited by examiner

Primary Examiner — Sharon S Oum

(21) Appl. No.: **29/750,077**
(22) Filed: **Sep. 11, 2020**
(51) **LOC (13) Cl.** **23-04**
(52) **U.S. Cl.**
USPC **D23/382**
(58) **Field of Classification Search**
USPC D23/328, 332, 333, 335-337, 351, 352,
D23/364, 370, 378, 380, 381-383,
D23/411-414
CPC F04D 25/0673; F04D 25/08; F04D 25/084;
F04D 25/086; F04D 29/4226
See application file for complete search history.

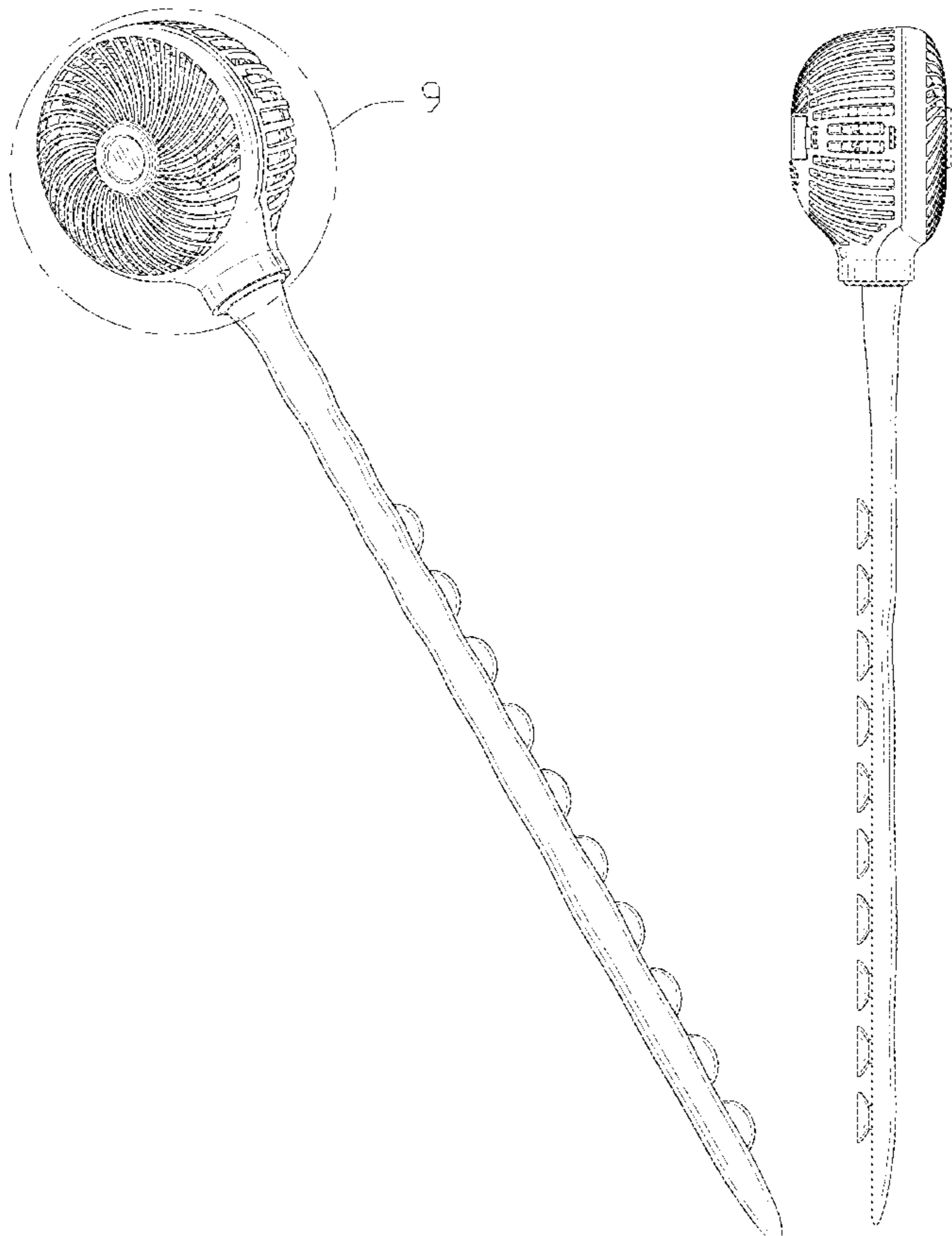
(57) **CLAIM**
The ornamental design for a fan, as shown and described.

DESCRIPTION

FIG. 1 is a front and right side perspective view of a fan showing my new design;
FIG. 2 is a rear and right side perspective view thereof;
FIG. 3 is a front elevational view thereof;
FIG. 4 is a rear elevational view thereof;
FIG. 5 is a left side view thereof;
FIG. 6 is a right side view thereof;
FIG. 7 is a top plan view thereof;
FIG. 8 is a bottom plan view thereof;
FIG. 9 is an enlarged view of portion 9 in FIG. 1; and,
FIG. 10 is an enlarged view of portion 10 in FIG. 2.
The broken lines in the drawings illustrate portions of the fan which form no part of the claimed design.
The dot-dash broken lines encircling portions of the fan in FIGS. 1, 2, 9 and 10 form no part of the claimed design.

(56) **References Cited**
U.S. PATENT DOCUMENTS
D387,154 S * 12/1997 Chiang D23/332
D406,331 S * 3/1999 Chan D23/382

1 Claim, 10 Drawing Sheets



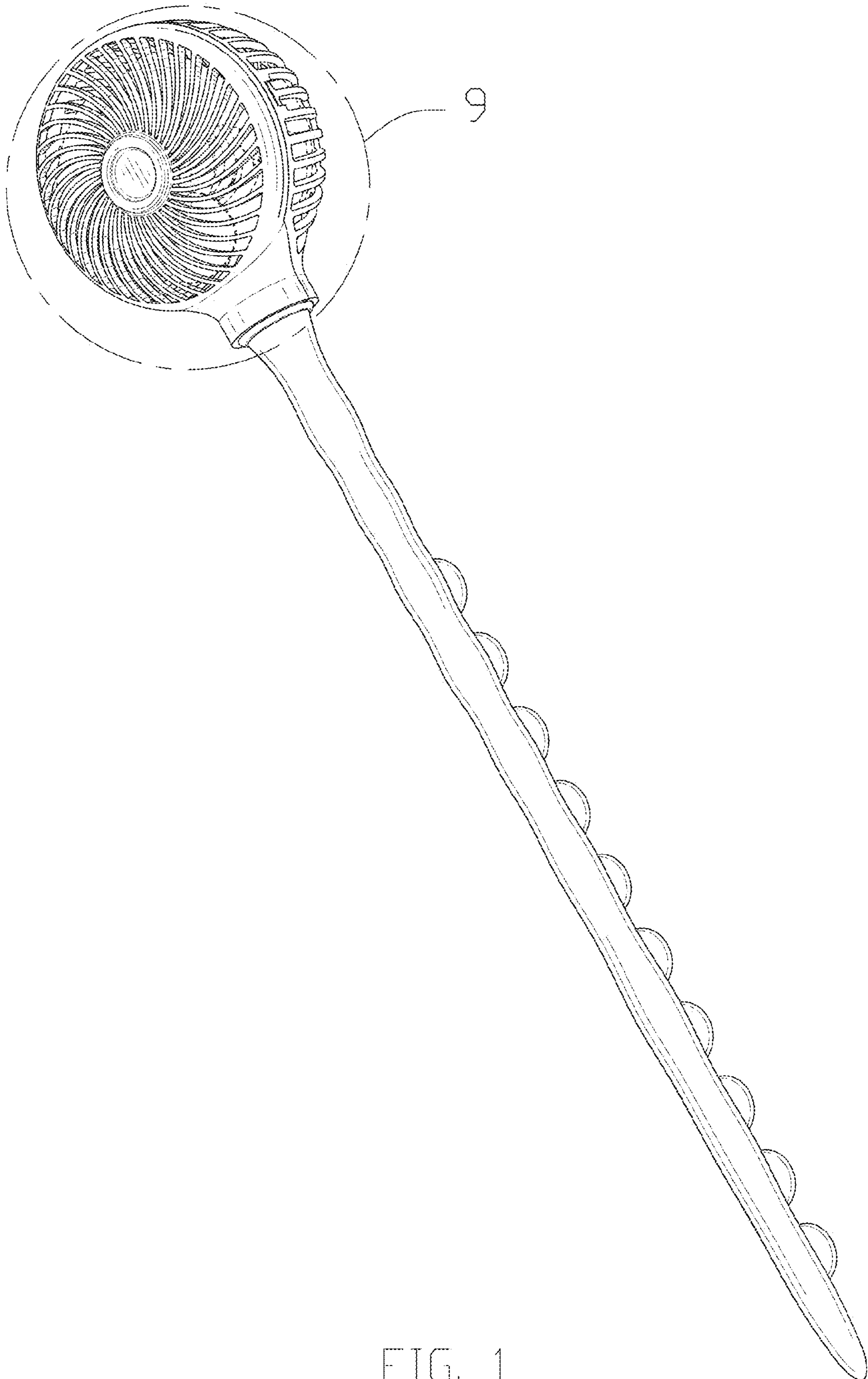


FIG. 1

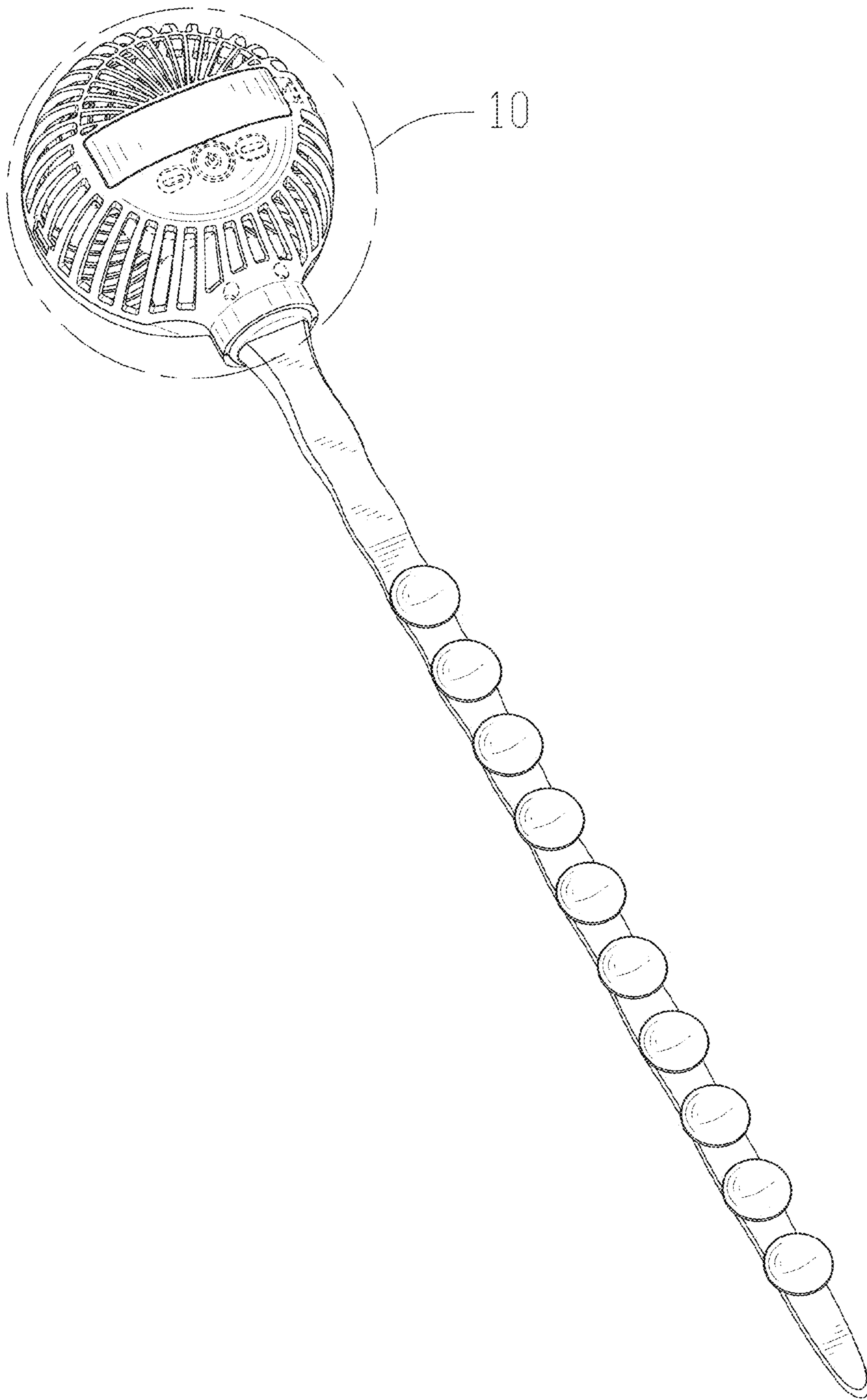


FIG. 2

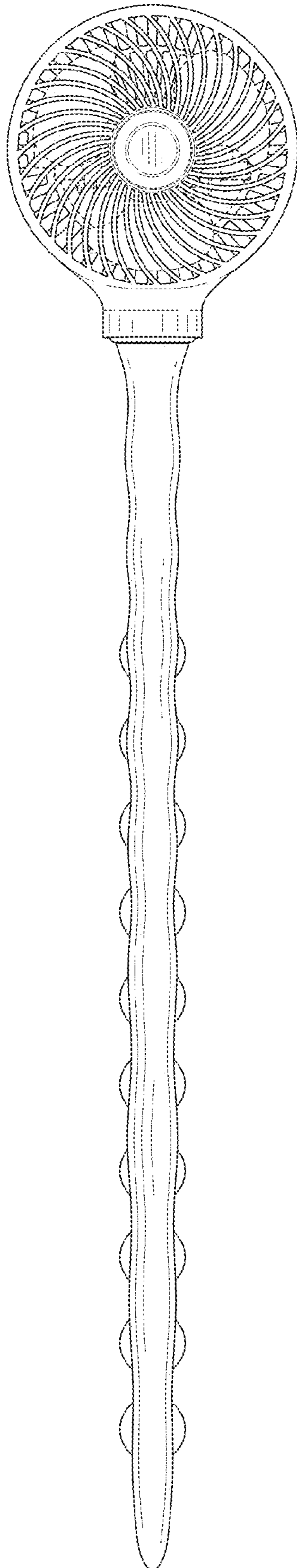


FIG. 3

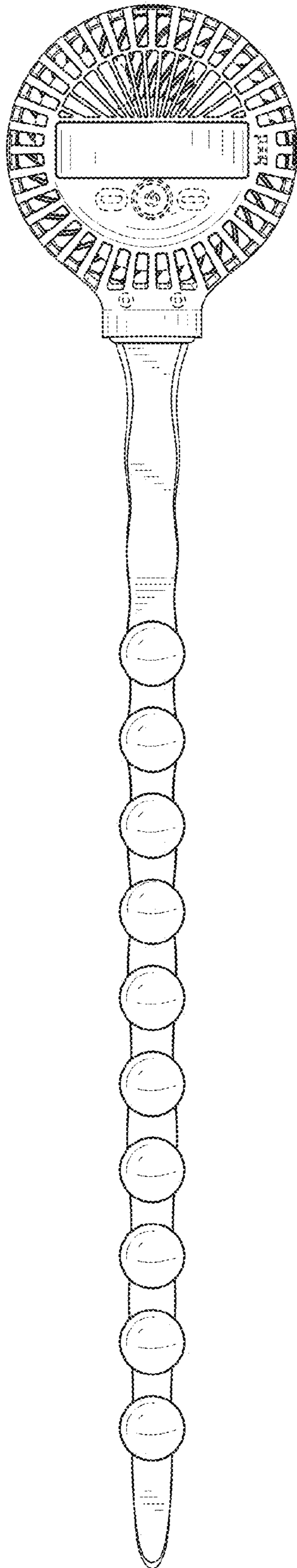


FIG. 4

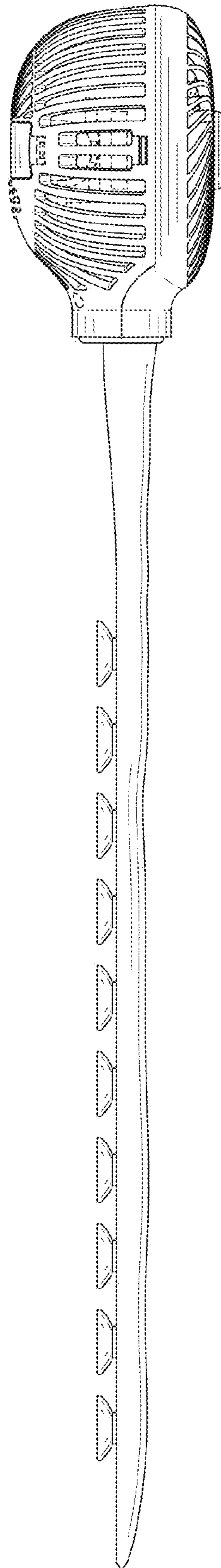


FIG. 5

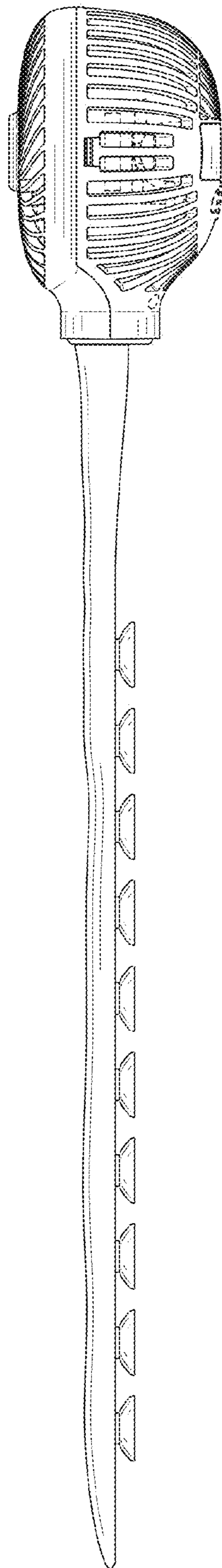


FIG. 6

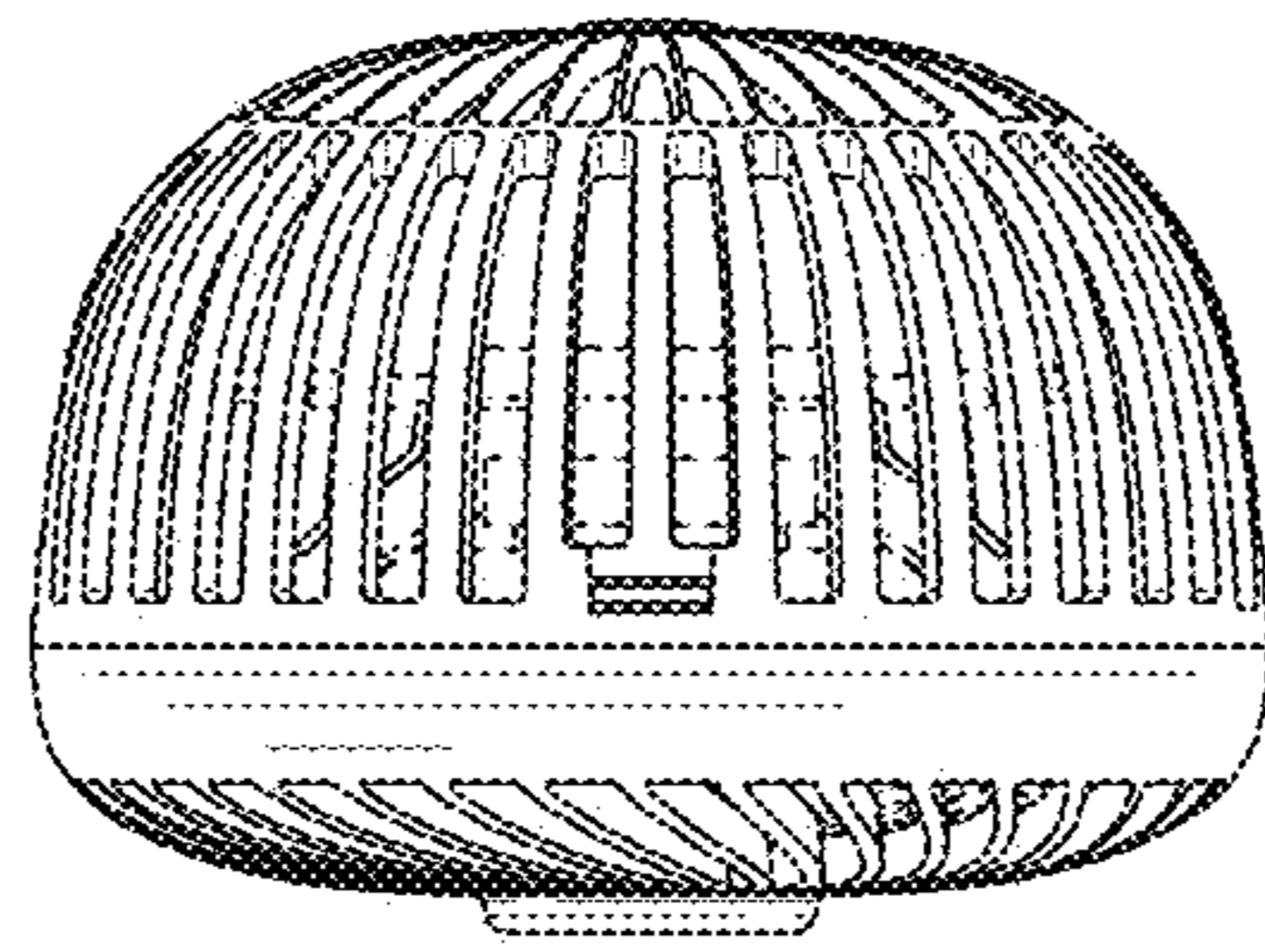


FIG. 7

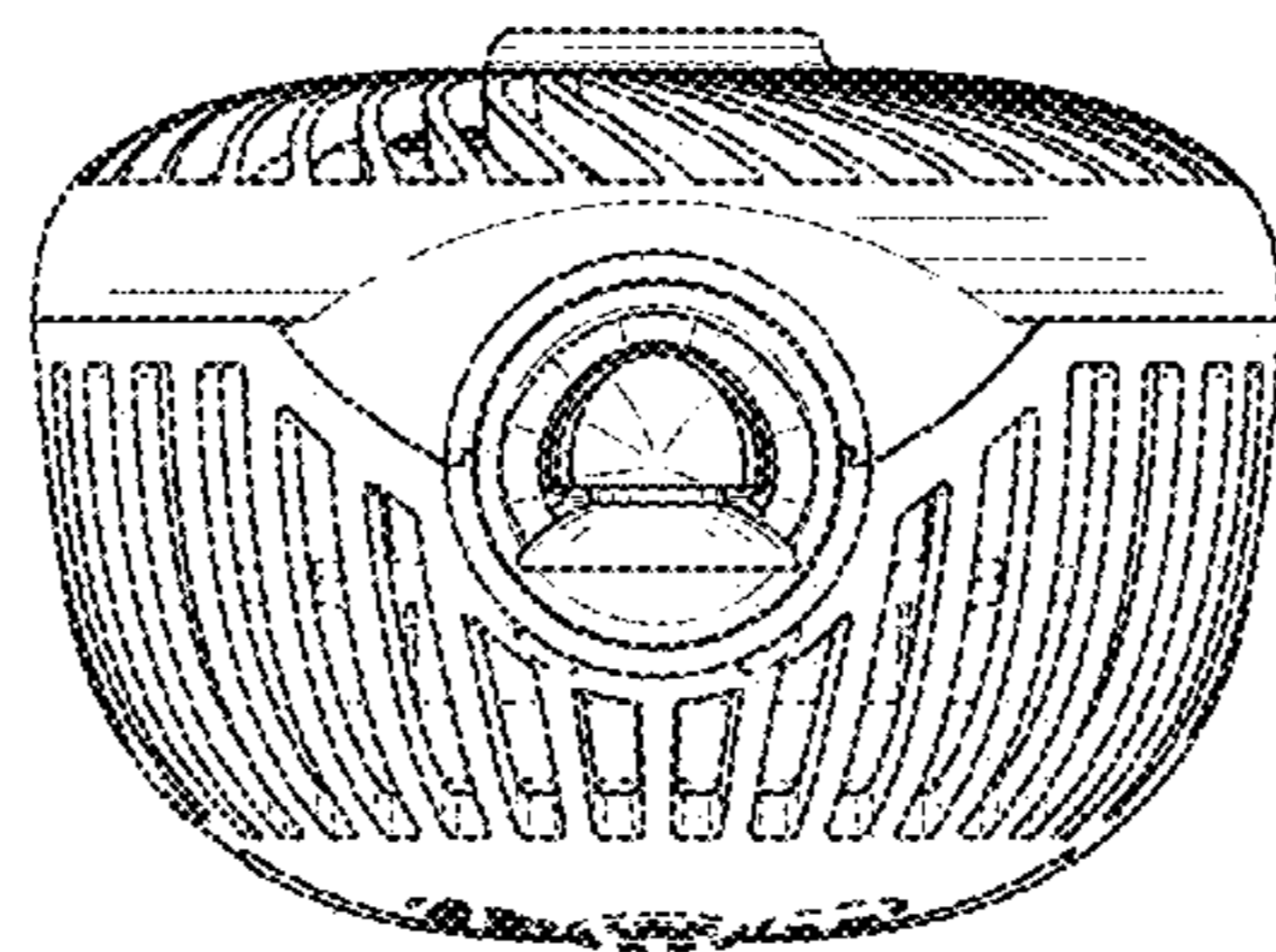


FIG. 8

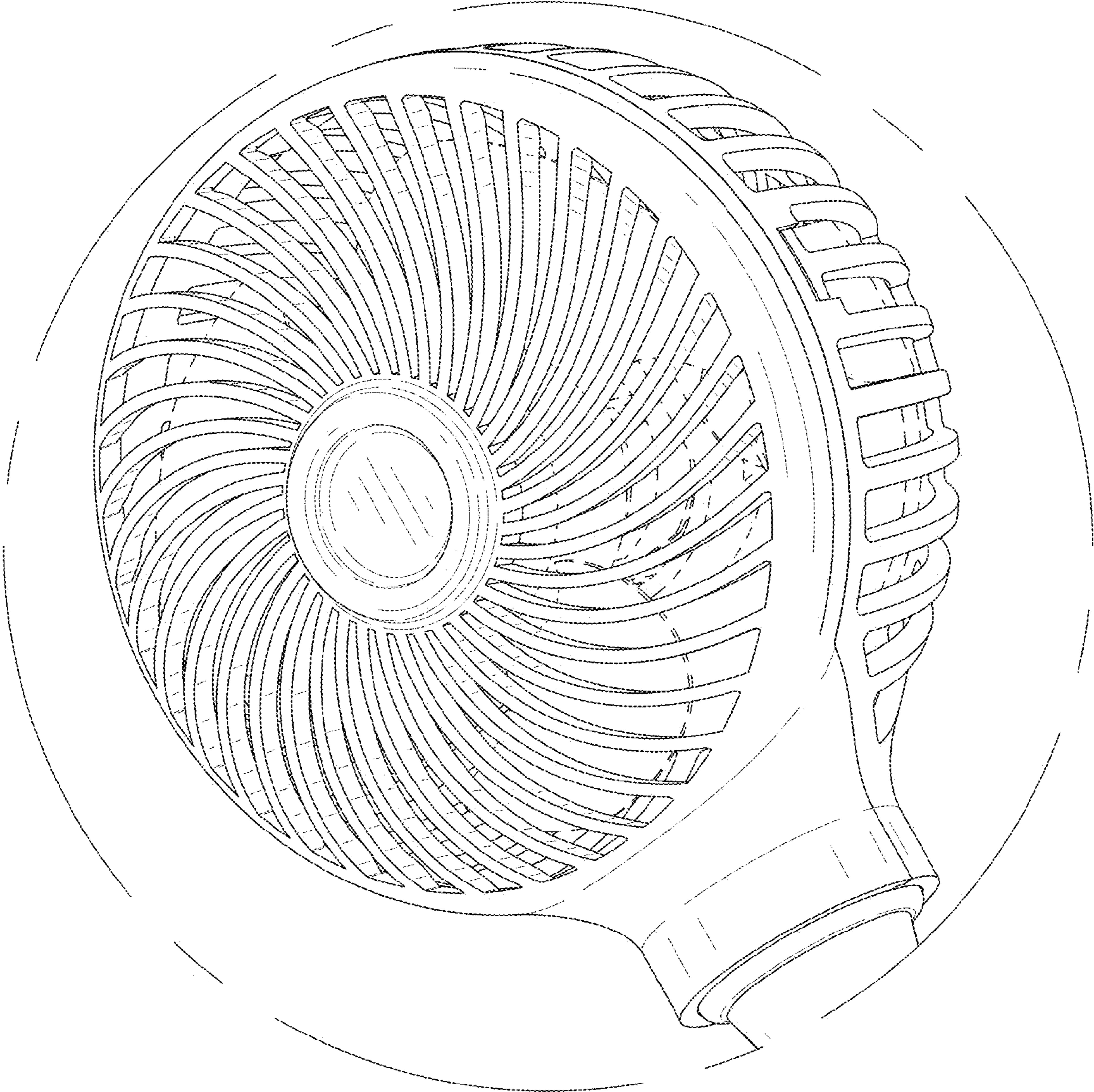


FIG. 9

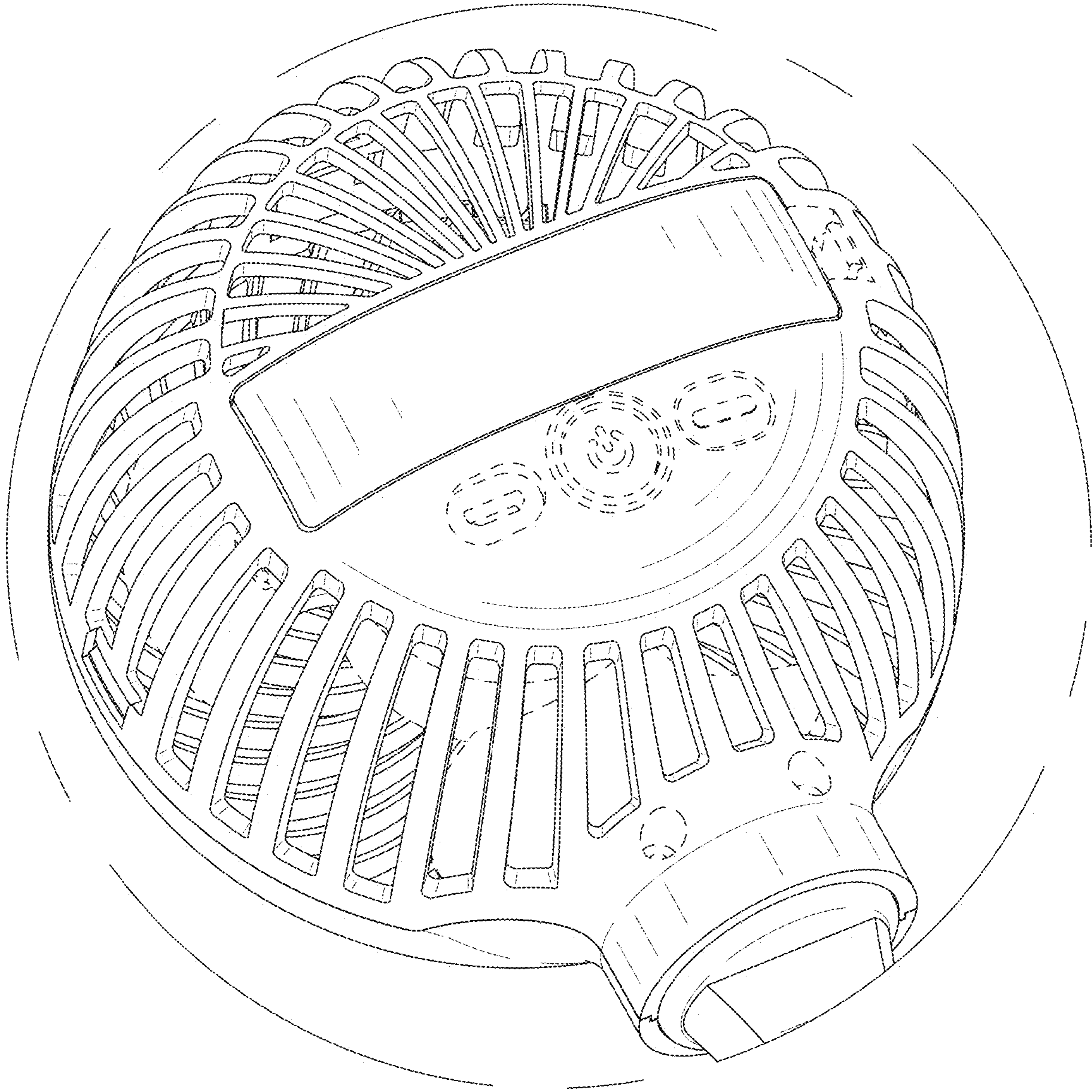


FIG. 10