



US00D940849S

(12) **United States Design Patent**  
**Chen**

(10) **Patent No.:** **US D940,849 S**

(45) **Date of Patent:** **\*\* Jan. 11, 2022**

(54) **LANTERN FAN**

(71) Applicant: **Pengcheng Chen**, Guangdong (CN)

(72) Inventor: **Pengcheng Chen**, Guangdong (CN)

(\*\*) Term: **15 Years**

(21) Appl. No.: **29/697,320**

(22) Filed: **Jul. 8, 2019**

(51) **LOC (13) Cl.** ..... **23-04**

(52) **U.S. Cl.**  
USPC ..... **D23/382**; D26/38; D26/41; D26/59

(58) **Field of Classification Search**  
USPC ..... D23/332, 333, 335–337, 364, 370, 378,  
D23/379, 381–383; D26/37, 38, 40, 41,  
D26/59

CPC ..... F24H 3/0417; F04D 29/48; F04D 25/08;  
F04D 29/38; F04D 29/384; F04D 29/386

See application file for complete search history.

(56) **References Cited**

**U.S. PATENT DOCUMENTS**

|                |         |           |       |             |
|----------------|---------|-----------|-------|-------------|
| D322,844 S *   | 12/1991 | Leon, Jr. | ..... | D23/382     |
| D514,686 S *   | 2/2006  | Wang      | ..... | D23/378     |
| D535,419 S *   | 1/2007  | Shiu      | ..... | D26/40      |
| 8,939,601 B1 * | 1/2015  | Lee       | ..... | F21V 7/0008 |
|                |         |           |       | 362/162     |
| D838,885 S *   | 1/2019  | Liu       | ..... | D26/40      |

|              |         |         |       |        |
|--------------|---------|---------|-------|--------|
| D844,201 S * | 3/2019  | Khubani | ..... | D26/40 |
| D846,168 S * | 4/2019  | Badici  | ..... | D26/40 |
| D847,573 S * | 5/2019  | Xu      | ..... | D7/507 |
| D863,634 S * | 10/2019 | Xu      | ..... | D26/41 |

\* cited by examiner

*Primary Examiner* — Sharon S Oum

(74) *Attorney, Agent, or Firm* — Scott H. Kaliko, Esq.;  
Kaliko & Associates, LLC

(57) **CLAIM**

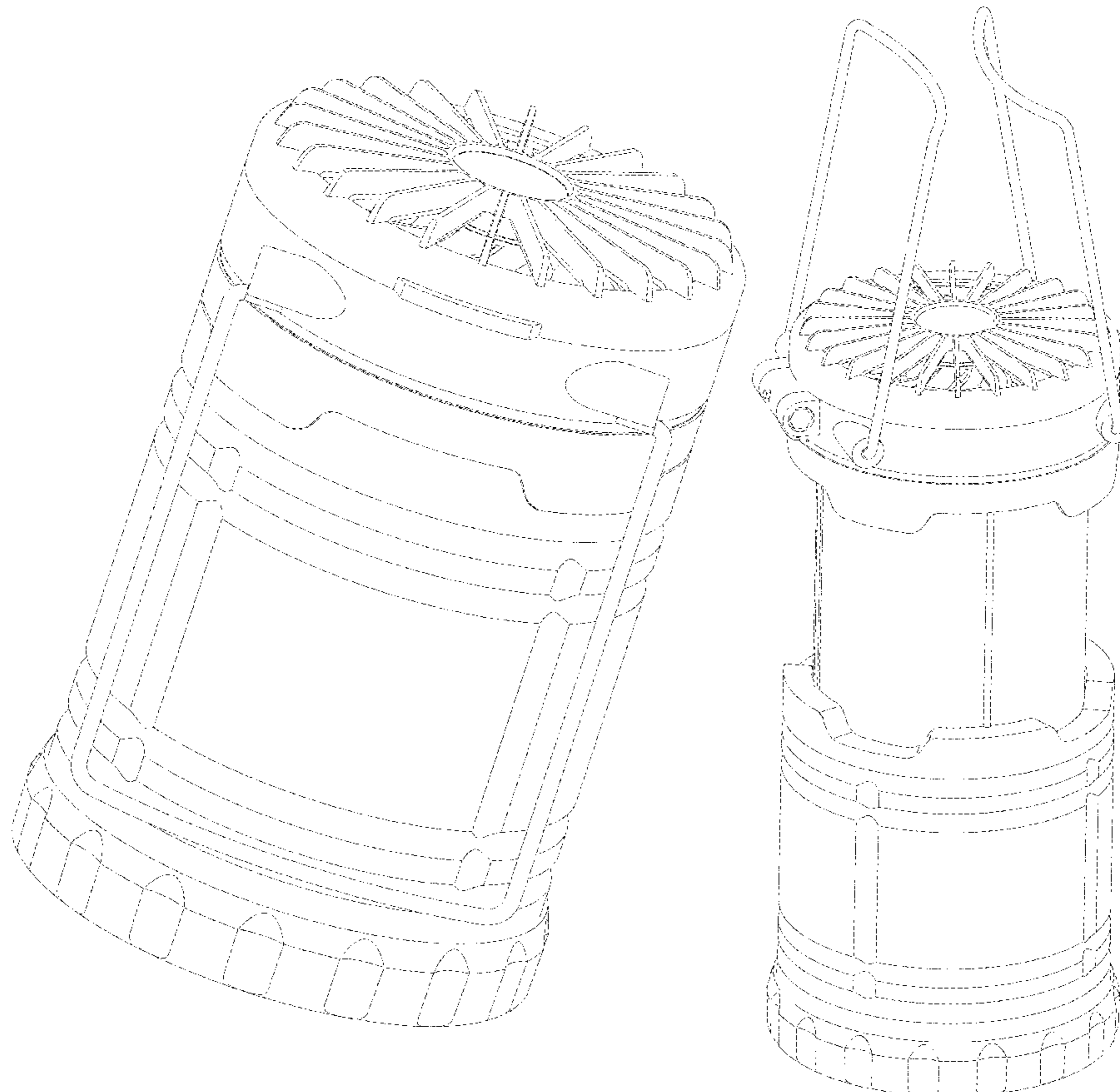
The ornamental design for a lantern fan, as shown and described.

**DESCRIPTION**

FIG. 1 is a perspective view of a design for a lantern fan;  
FIG. 2 is another perspective view thereof, but shown in an  
alternate position of use;  
FIG. 3 is another perspective view thereof;  
FIG. 4 is another perspective view of FIG. 1, but shown in  
another alternate position of use;  
FIG. 5 is a top view of FIG. 1;  
FIG. 6 is a bottom view thereof;  
FIG. 7 is a front side view thereof;  
FIG. 8 is a rear side view thereof;  
FIG. 9 is a left side view thereof; and,  
FIG. 10 is a right side view thereof.

The broken lines illustrate portions of the lantern fan that  
form no part of the claimed design.

**1 Claim, 9 Drawing Sheets**



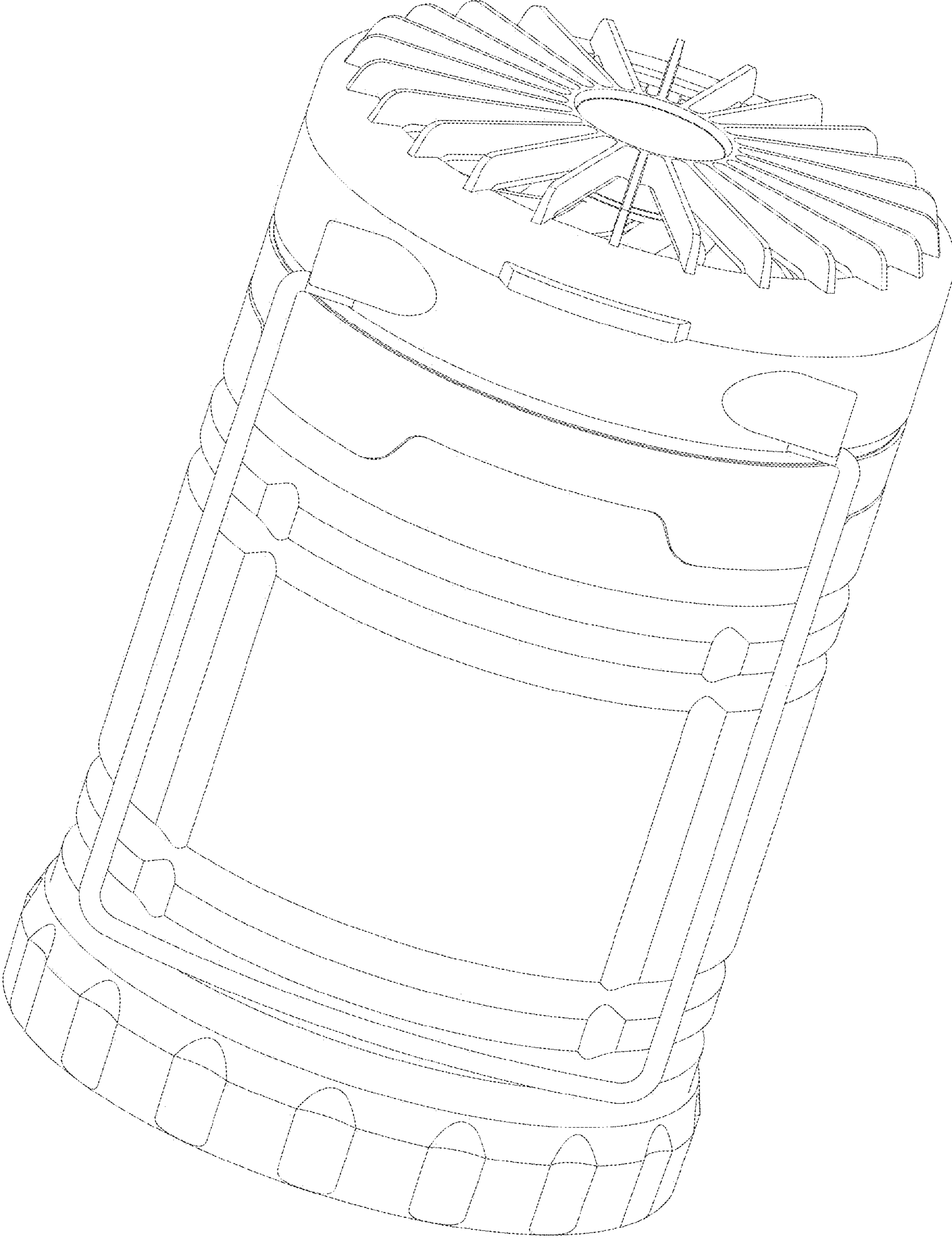


FIG 1

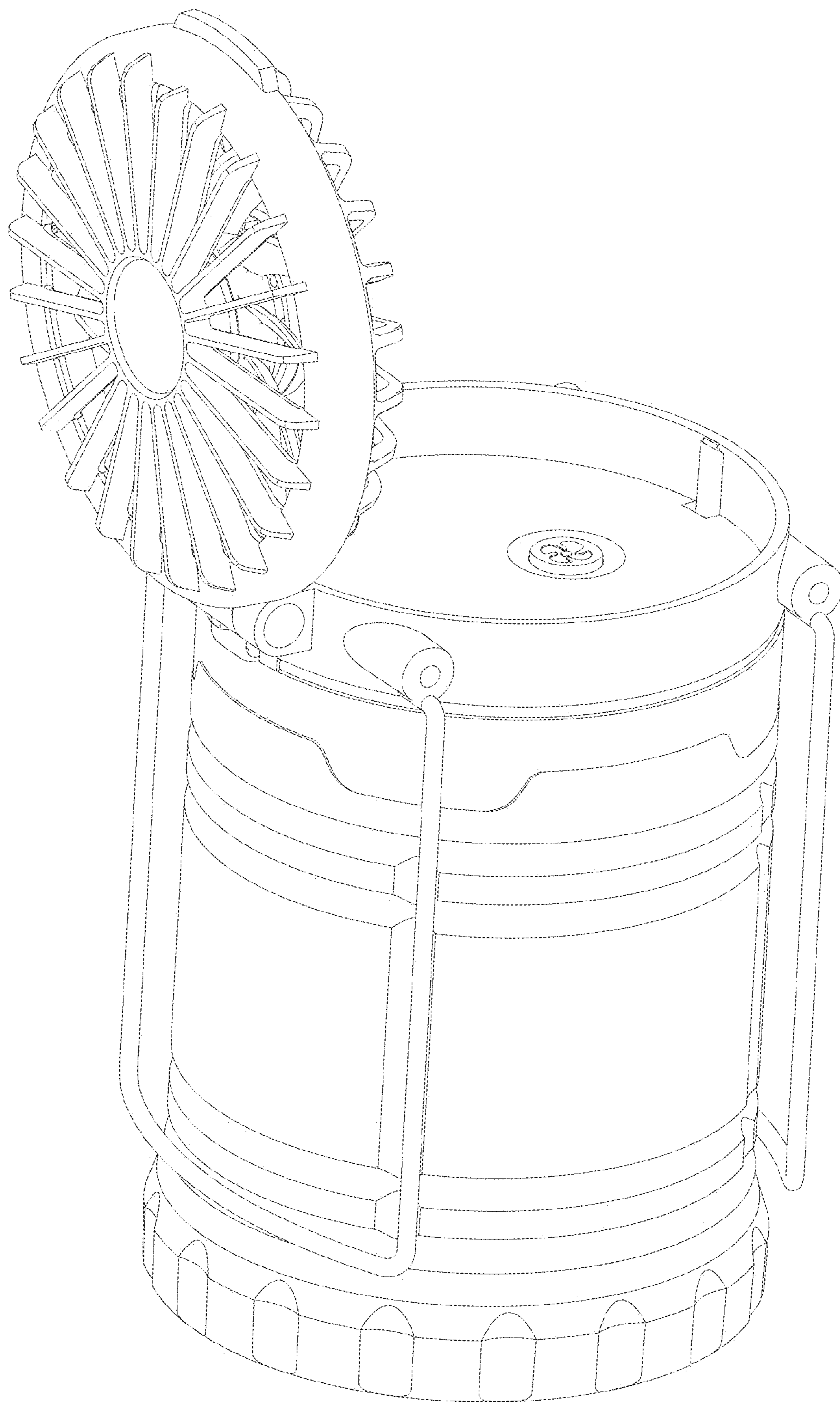


FIG 2

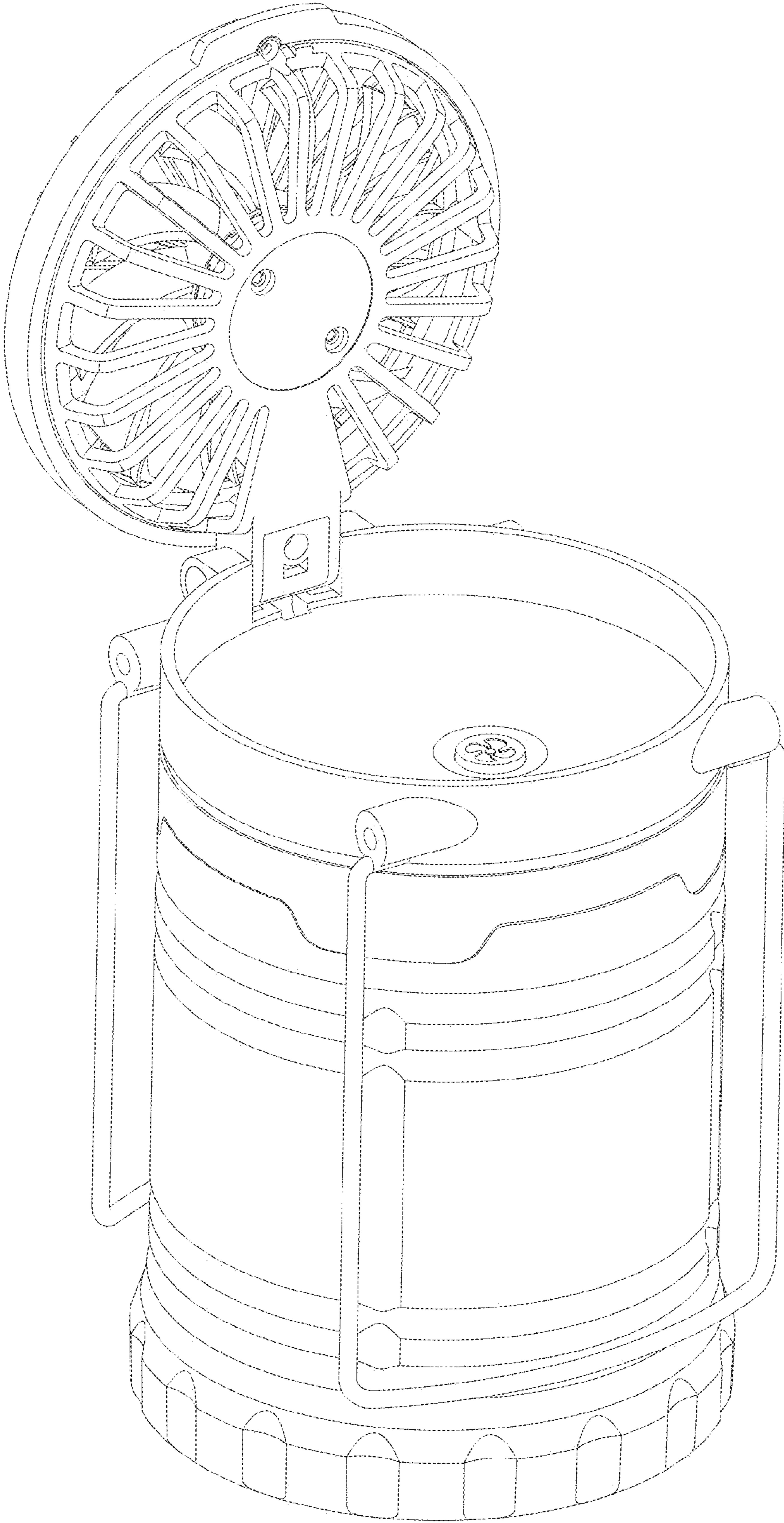


FIG 3

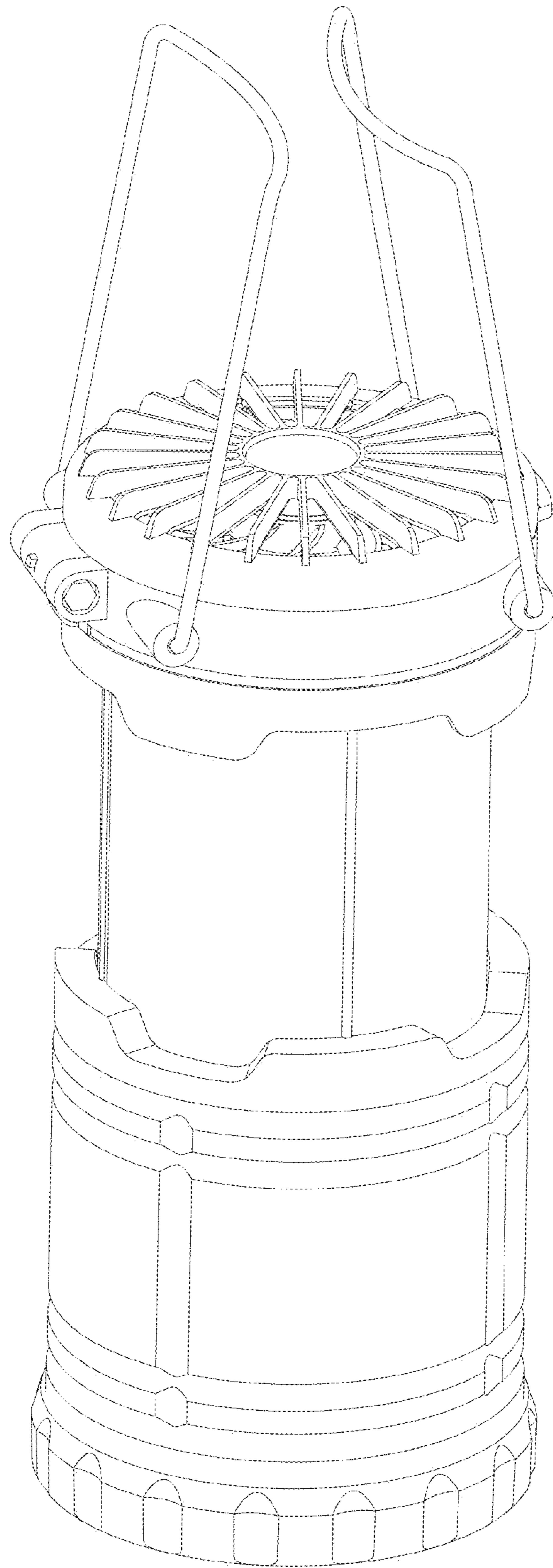


FIG 4

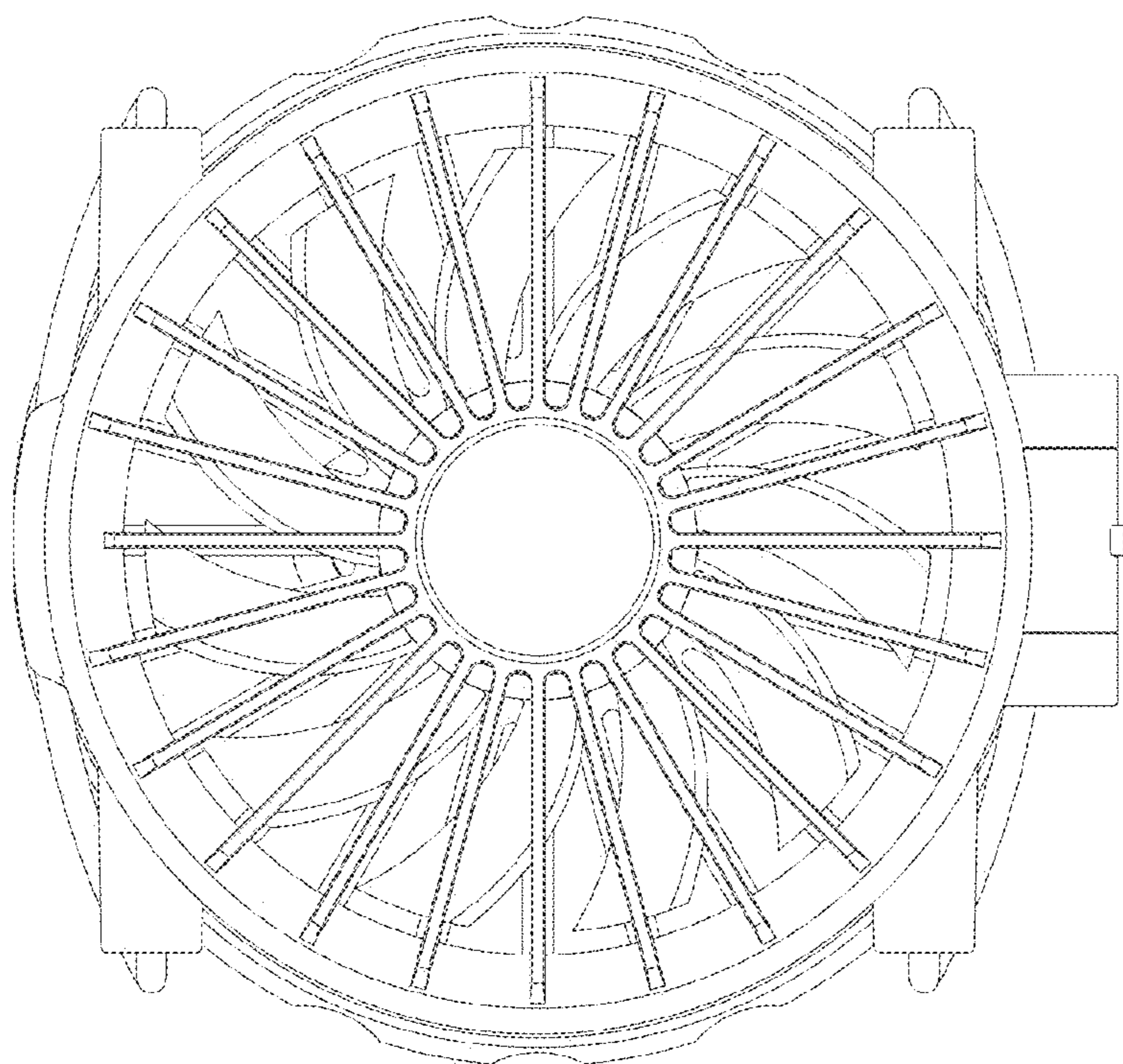


FIG 5

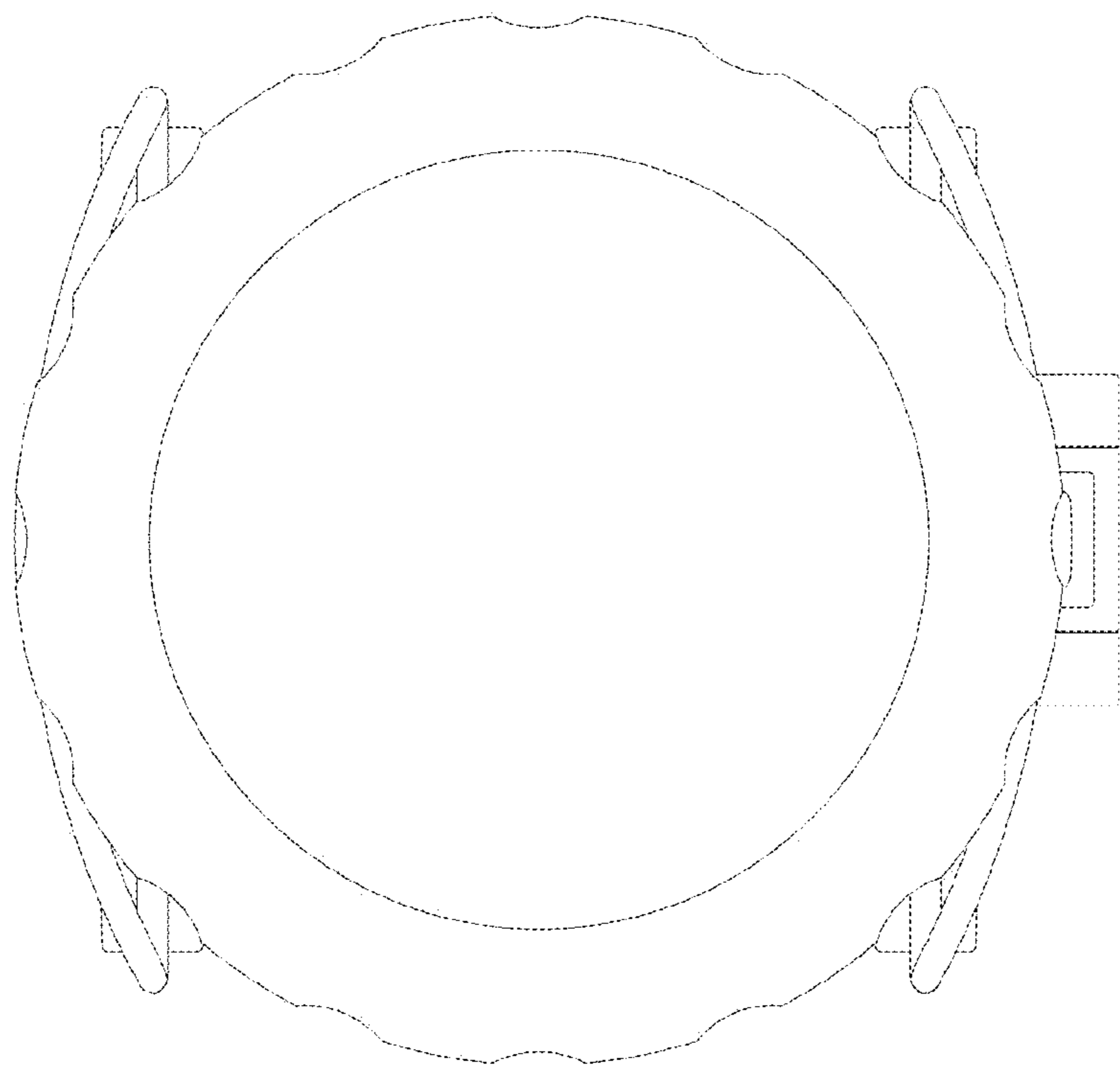


FIG 6

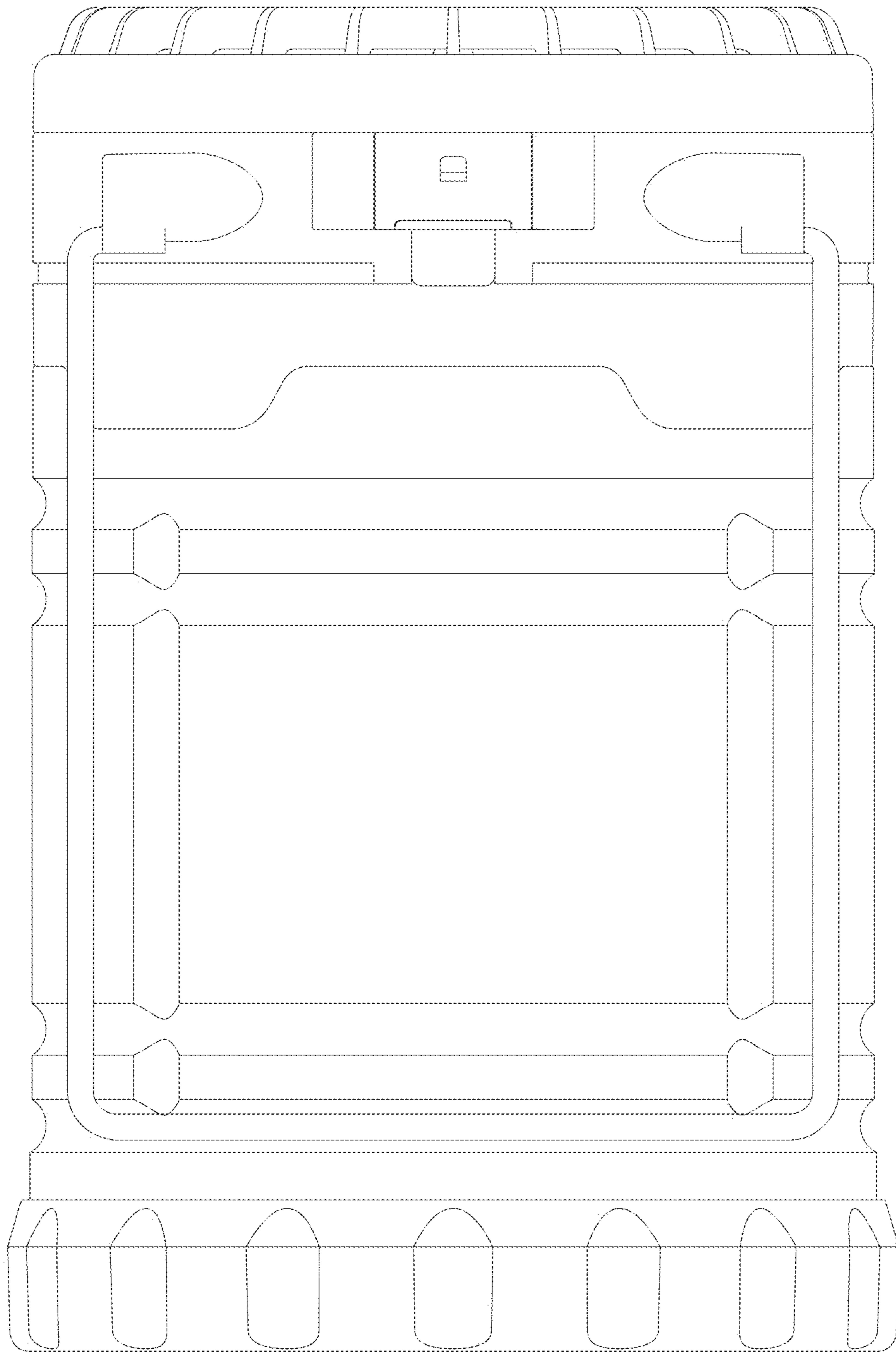


FIG 7

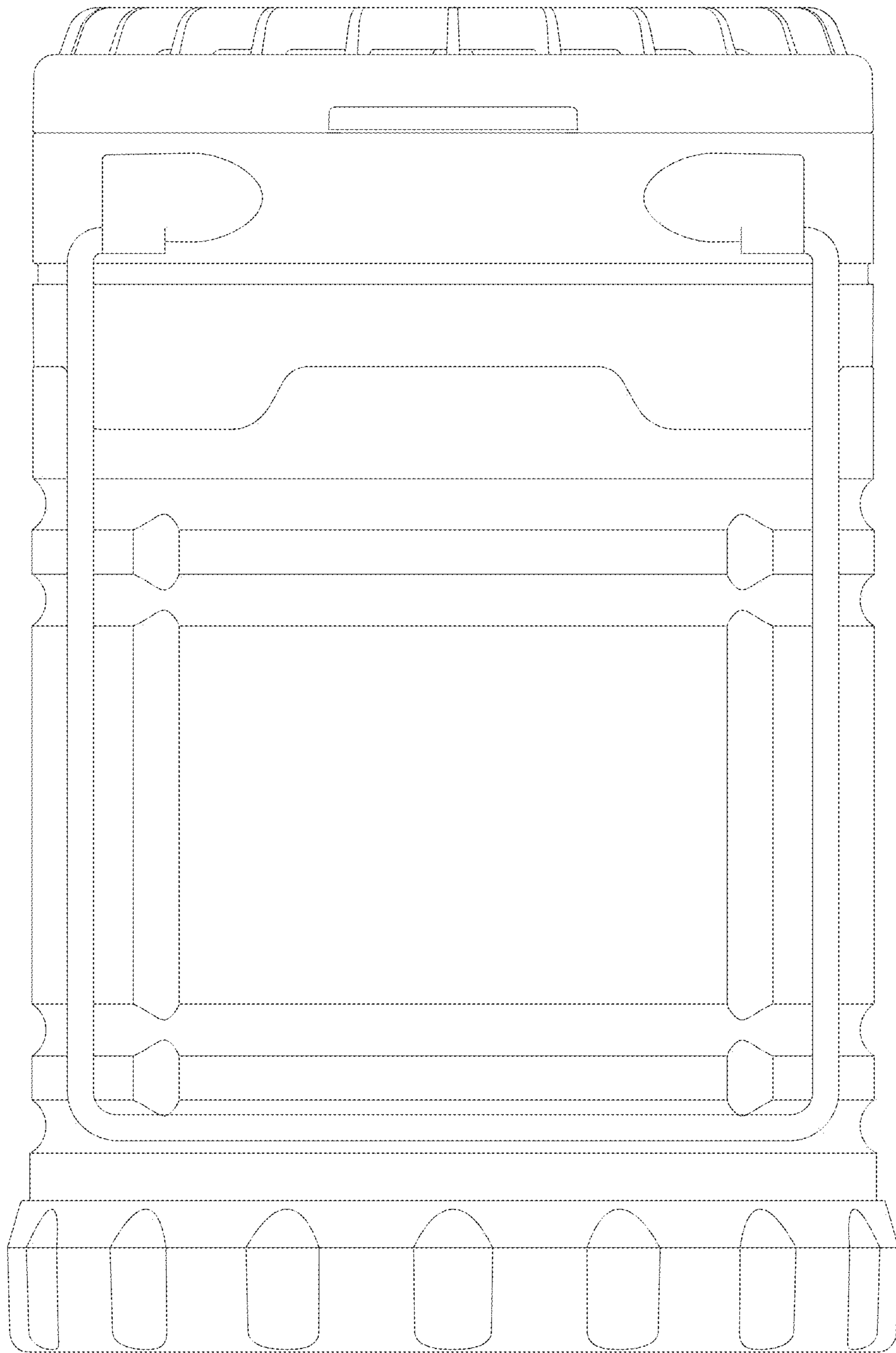


FIG 8



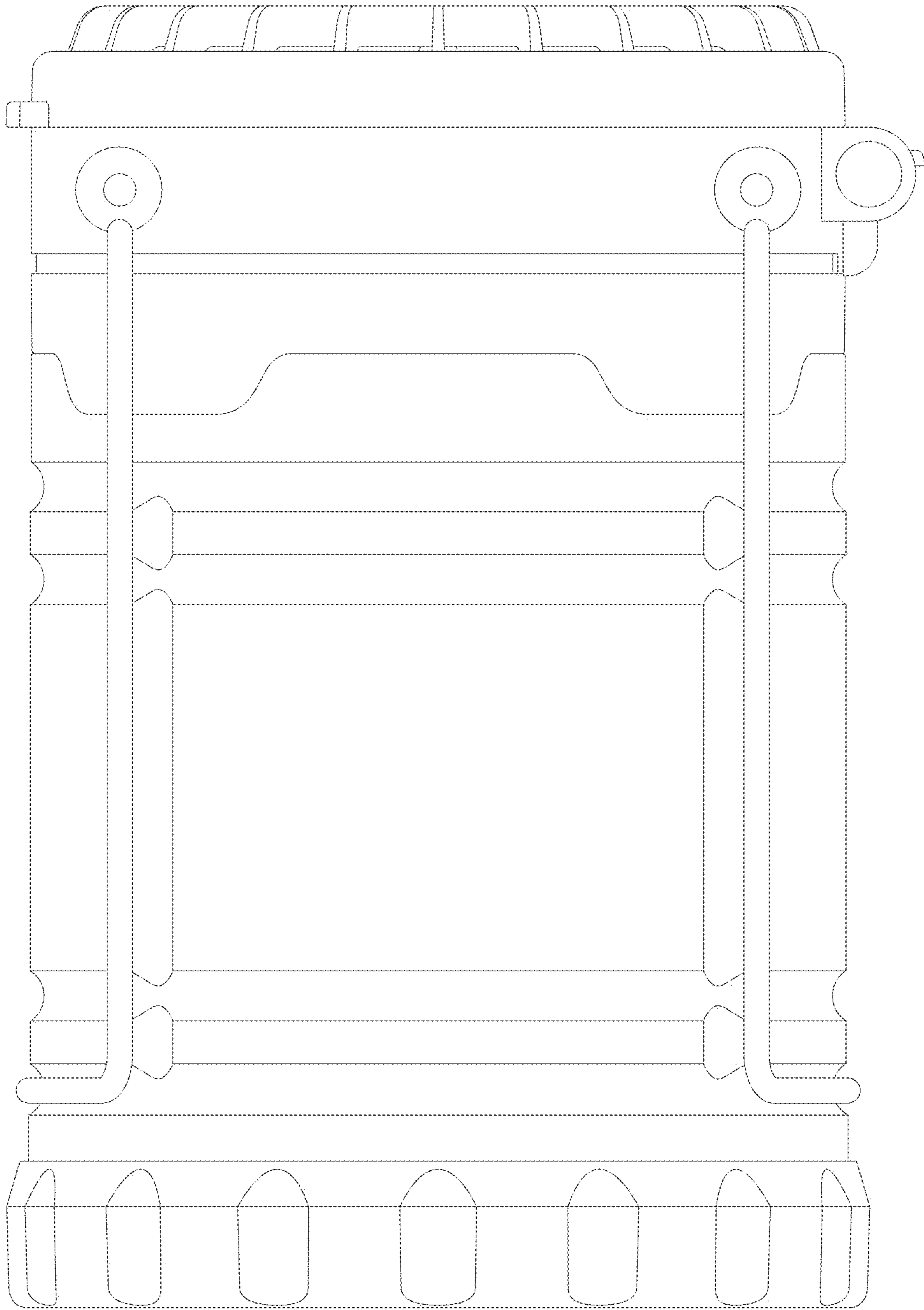


FIG 9

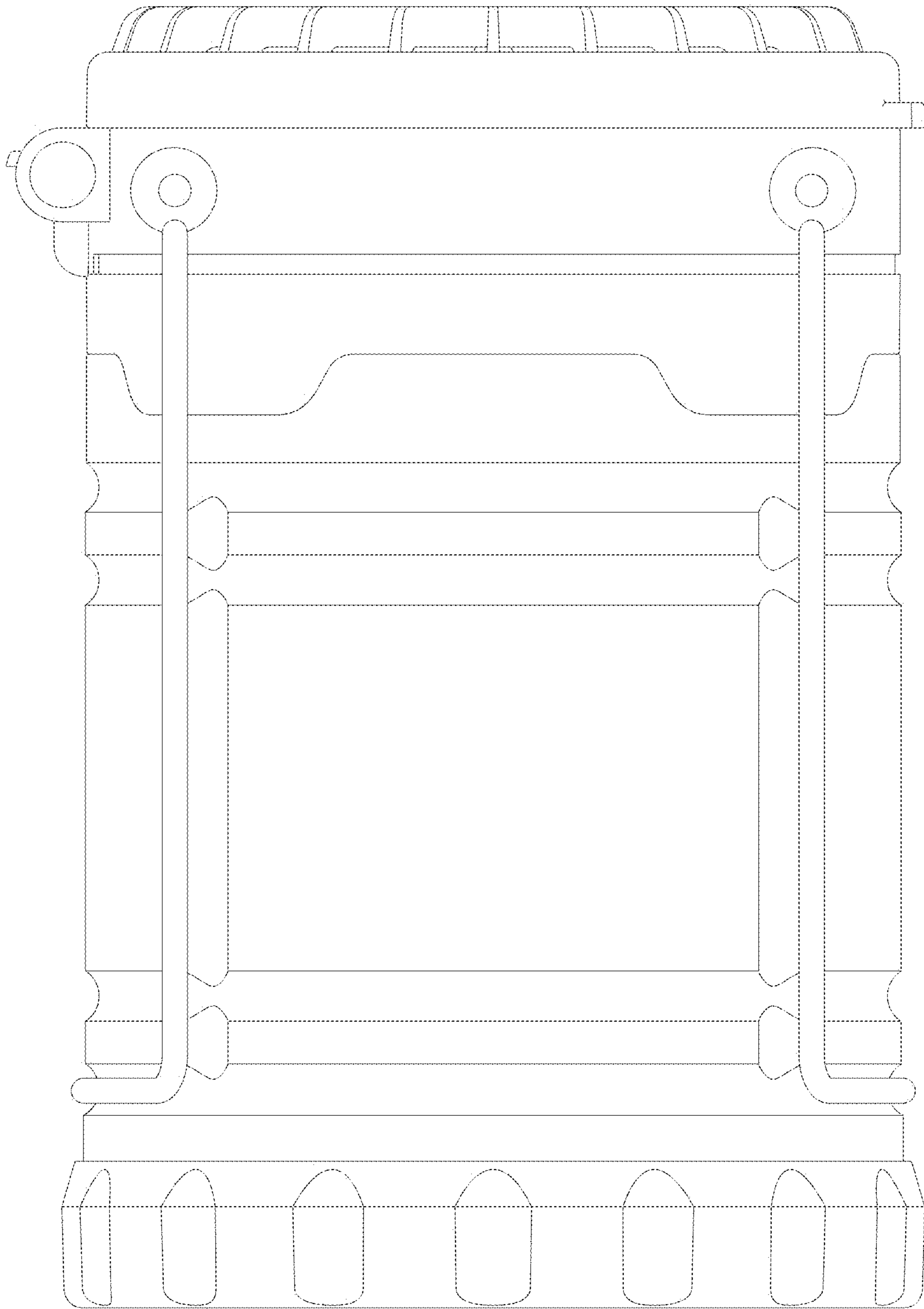


FIG 10