



US00D940848S

(12) **United States Design Patent** (10) **Patent No.:** **US D940,848 S**  
**Biancuzzo** (45) **Date of Patent:** **\*\* Jan. 11, 2022**

(54) **CEILING FAN**  
(71) Applicant: **AIR COOL INDUSTRIAL CO., LTD.**, Taichung (TW)  
(72) Inventor: **Francisco Biancuzzo**, Davie, FL (US)  
(73) Assignee: **AIR COOL INDUSTRIAL CO., LTD.**, Taichung (TW)  
(\*\*) Term: **15 Years**  
(21) Appl. No.: **29/741,639**  
(22) Filed: **Jul. 14, 2020**  
(51) **LOC (13) Cl.** ..... **23-04**  
(52) **U.S. Cl.**  
USPC ..... **D23/377**  
(58) **Field of Classification Search**  
USPC ..... D23/370, 377, 385, 411; D26/59, 88, D26/128, 129  
CPC .... F04D 25/088; F04D 29/329; F04D 29/703; F04D 25/08; F04D 25/0606; F04D 29/388; F04D 29/384  
See application file for complete search history.

D806,852 S \* 1/2018 Holmes ..... D23/377  
D808,002 S \* 1/2018 Holmes ..... D23/377  
D810,918 S \* 2/2018 Holmes ..... D23/377  
D814,011 S \* 3/2018 McRoberts ..... D23/377  
D818,104 S \* 5/2018 Holmes ..... D23/377  
D821,009 S \* 6/2018 Holmes ..... D26/59  
D821,010 S \* 6/2018 Holmes ..... D26/59  
D825,086 S \* 8/2018 Holmes ..... D26/59  
D834,172 S \* 11/2018 Guthrie ..... D23/411  
D855,873 S \* 8/2019 Haggar ..... D26/119  
D859,628 S \* 9/2019 Yang ..... D23/377  
D859,630 S \* 9/2019 Puerto ..... D23/385  
D861,218 S \* 9/2019 Yang ..... D26/59  
D875,288 S \* 2/2020 Holmes ..... D26/59  
D876,696 S \* 2/2020 Holmes ..... D26/59  
D878,652 S \* 3/2020 McRoberts ..... D26/59  
D880,034 S \* 3/2020 Holmes ..... D26/59  
D890,319 S \* 7/2020 Kraemer ..... D23/377  
D890,911 S \* 7/2020 Holmes ..... D23/377

(Continued)

*Primary Examiner* — Janice Hallmark

(74) *Attorney, Agent, or Firm* — Pai Patent & Trademark Law Firm; Chao-Chang David Pai

(57) **CLAIM**

The ornamental design for a ceiling fan, as shown and described.

**DESCRIPTION**

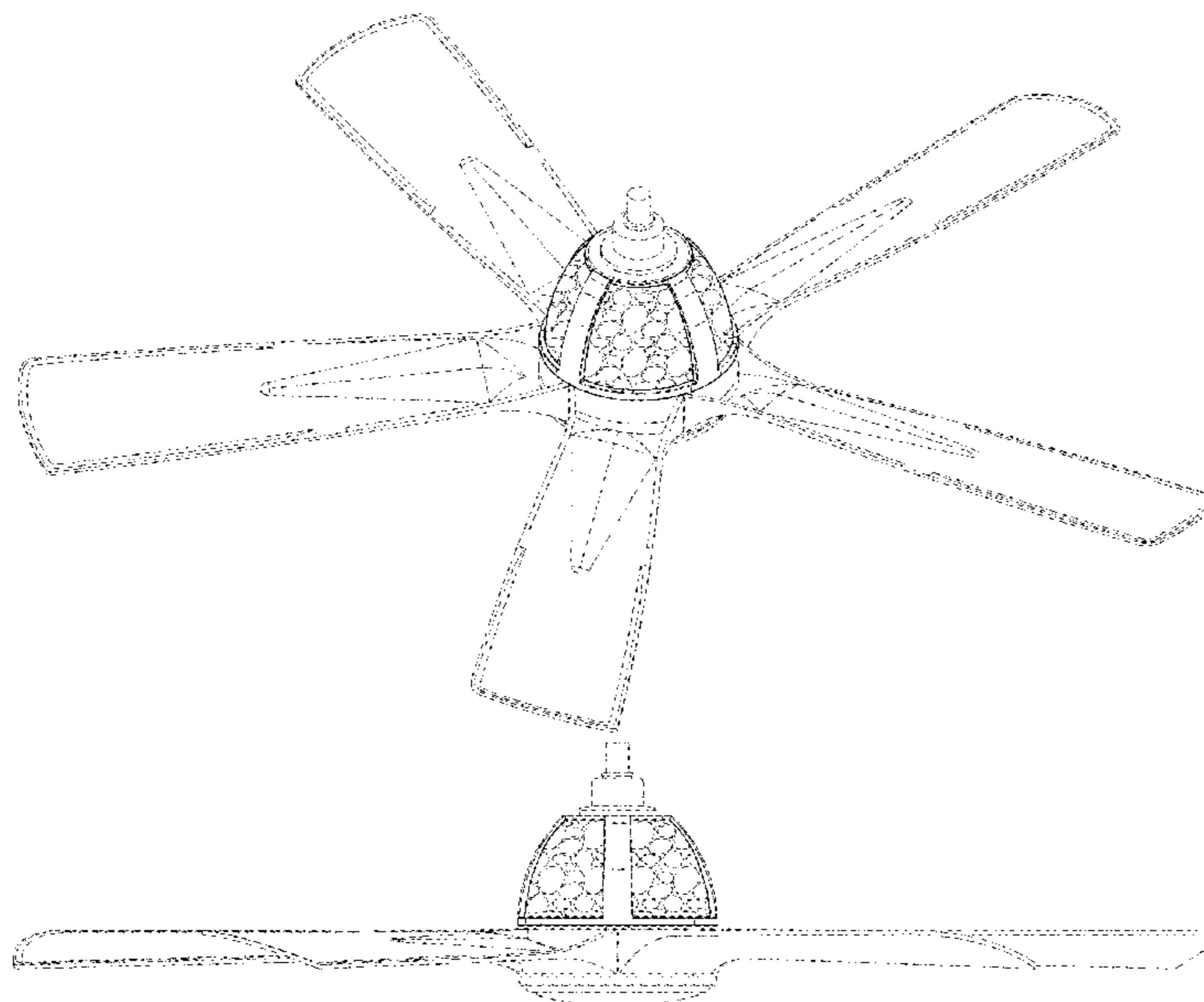
FIG. 1 is a front top perspective view of a ceiling fan showing my new design;  
FIG. 2 is a front elevational view thereof;  
FIG. 3 is a rear elevational view thereof;  
FIG. 4 is a left side elevational view thereof;  
FIG. 5 is a right side elevational view thereof;  
FIG. 6 is a top plan view thereof;  
FIG. 7 is a bottom plan view thereof; and,  
FIG. 8 is a front bottom perspective view thereof.  
The broken lines illustrate portions of the ceiling fan and form no part of the claimed design.

**1 Claim, 6 Drawing Sheets**

(56) **References Cited**

U.S. PATENT DOCUMENTS

D478,976 S \* 8/2003 Young ..... D23/377  
D502,770 S \* 3/2005 Hidalgo ..... D23/377  
D506,542 S \* 6/2005 Thomas, Jr. .... D23/411  
D508,990 S \* 8/2005 Stauffer ..... D23/411  
D525,696 S \* 7/2006 Ertze ..... D23/377  
D556,930 S \* 12/2007 Ertze ..... D26/59  
D562,972 S \* 2/2008 Pickett ..... D23/411  
D704,822 S \* 5/2014 Wang ..... D23/411  
D710,489 S \* 8/2014 Shurtleff ..... D23/377  
D710,490 S \* 8/2014 Shurtleff ..... D23/411  
D732,157 S \* 6/2015 Lin ..... D23/411  
D804,635 S \* 12/2017 Holmes ..... D23/377  
D804,638 S \* 12/2017 Guthrie ..... D23/377



(56)

**References Cited**

U.S. PATENT DOCUMENTS

D890,972	S	*	7/2020	Holmes	.....	D26/59
D894,458	S	*	8/2020	Holmes	.....	D26/59
D896,949	S	*	9/2020	Wang	.....	D23/411
D898,182	S	*	10/2020	Zhang	.....	D23/411
D899,653	S	*	10/2020	Holmes	.....	D26/59
D923,770	S	*	6/2021	Holmes	.....	D23/377
2002/0136008	A1	*	9/2002	Frei	.....	F21S 6/001 362/249.01
2005/0207140	A1	*	9/2005	Srass	.....	F04D 25/088 362/96

\* cited by examiner

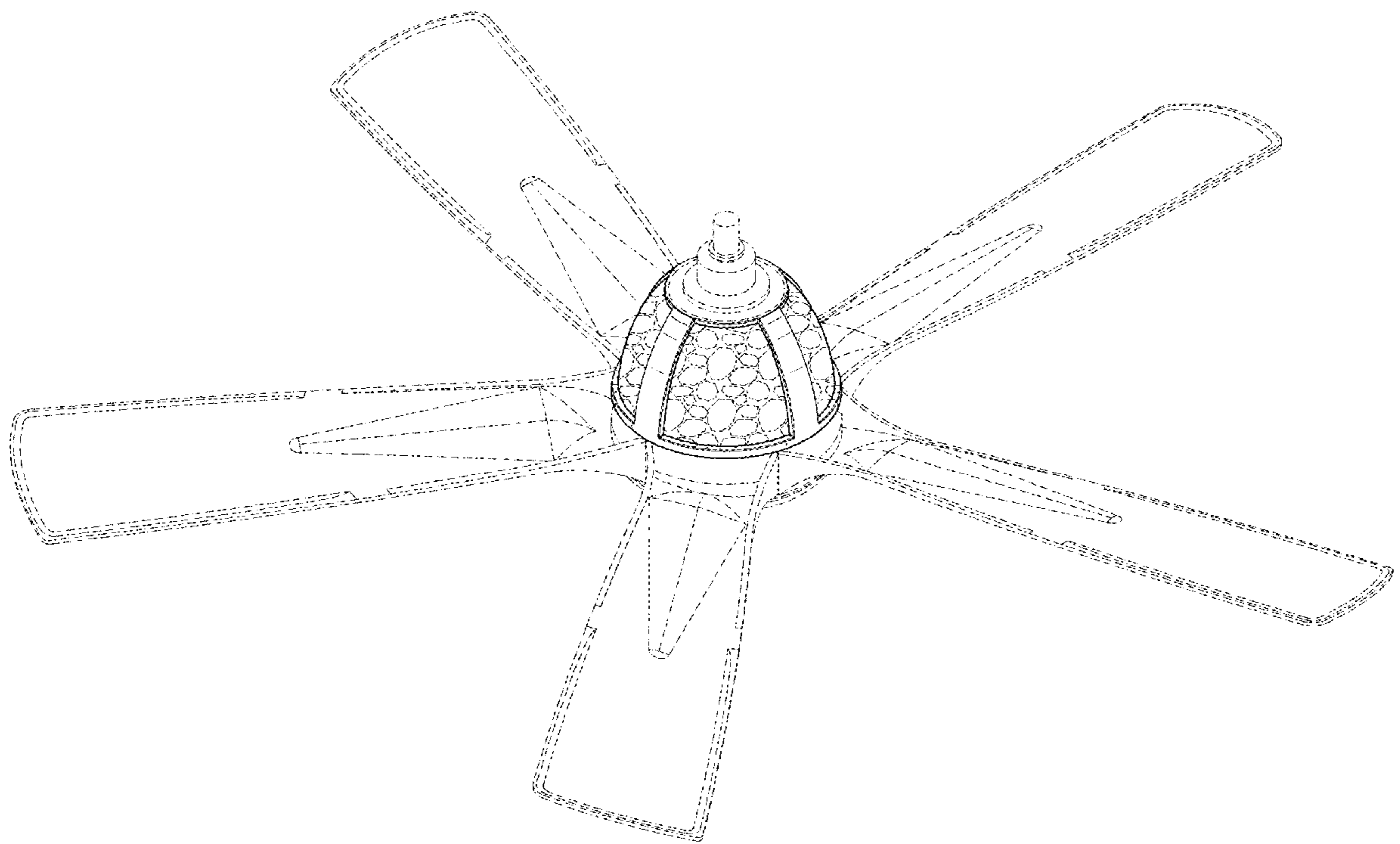


FIG. 1

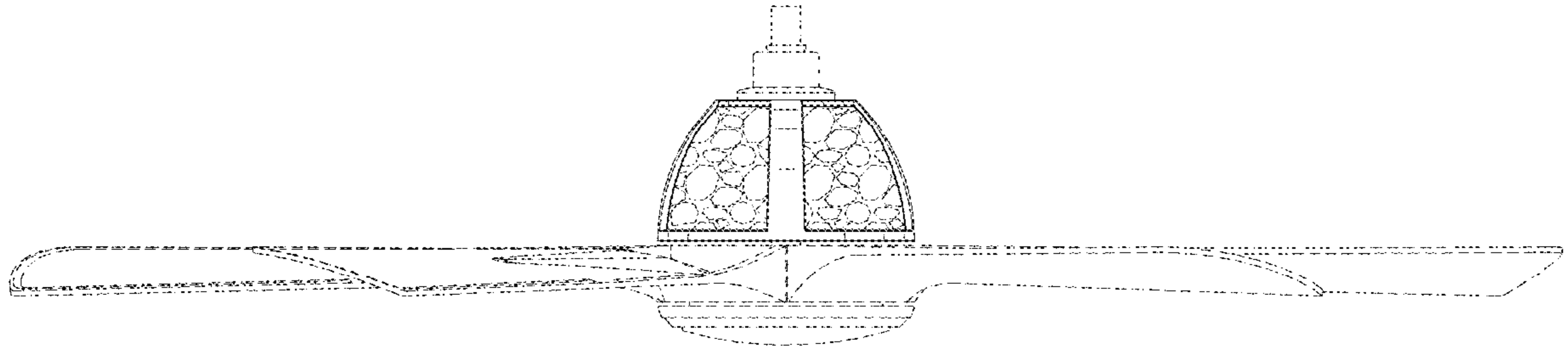


FIG. 2

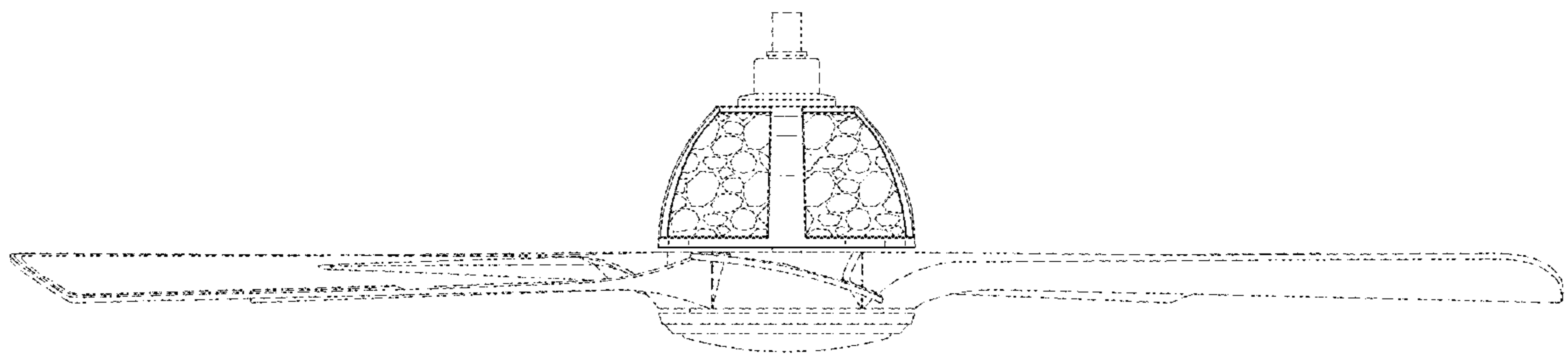


FIG. 3

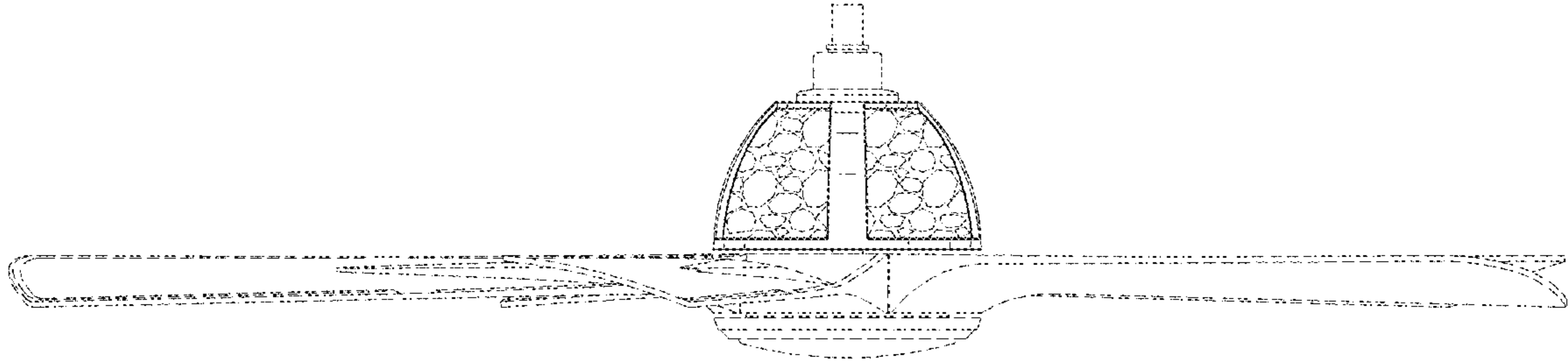


FIG. 4

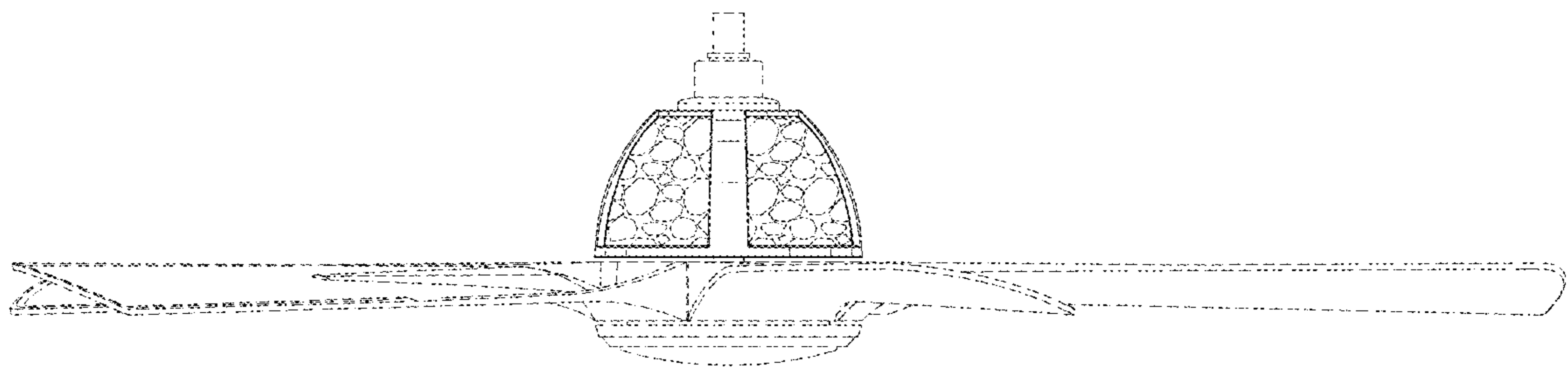


FIG. 5



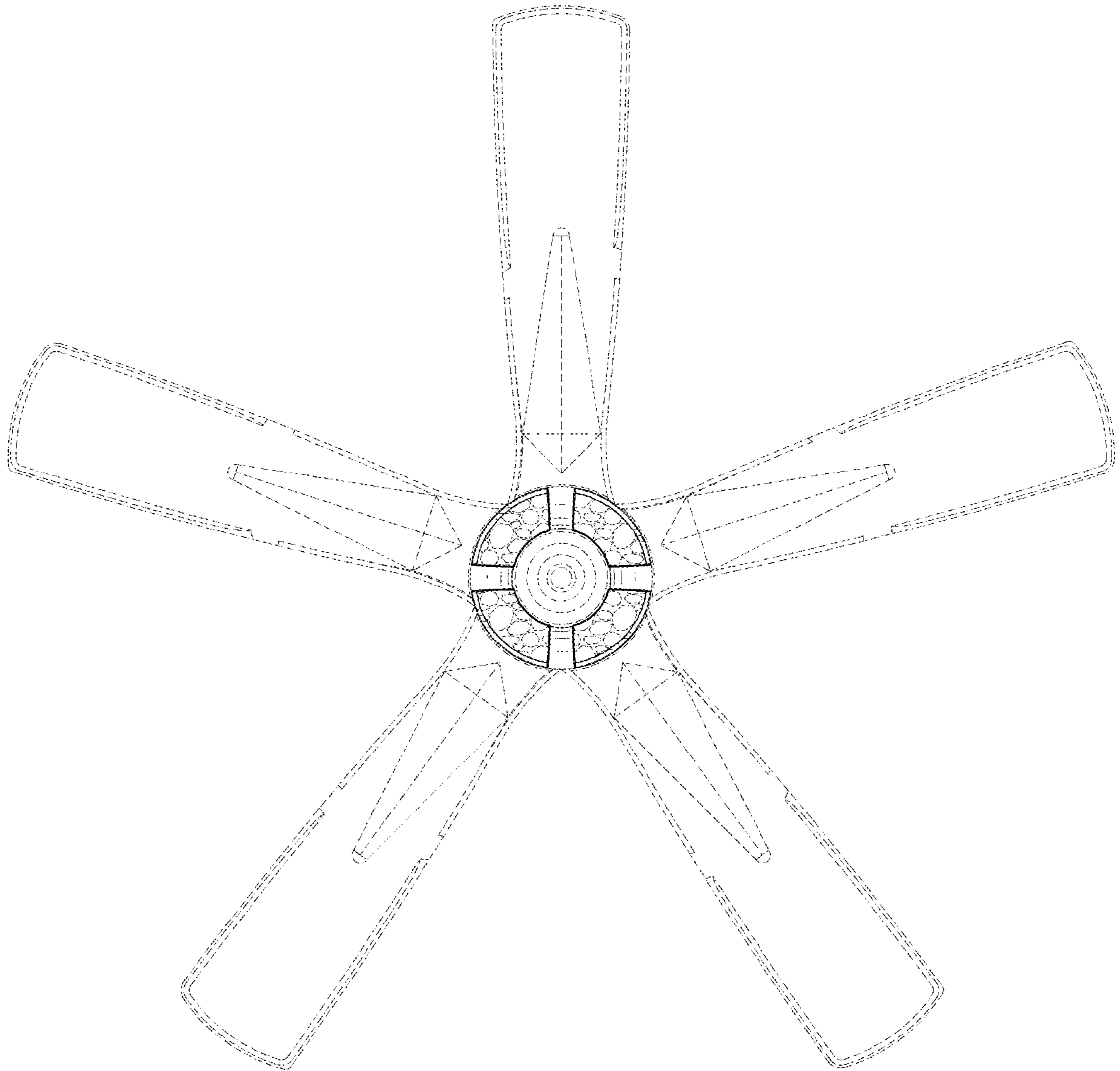


FIG. 6

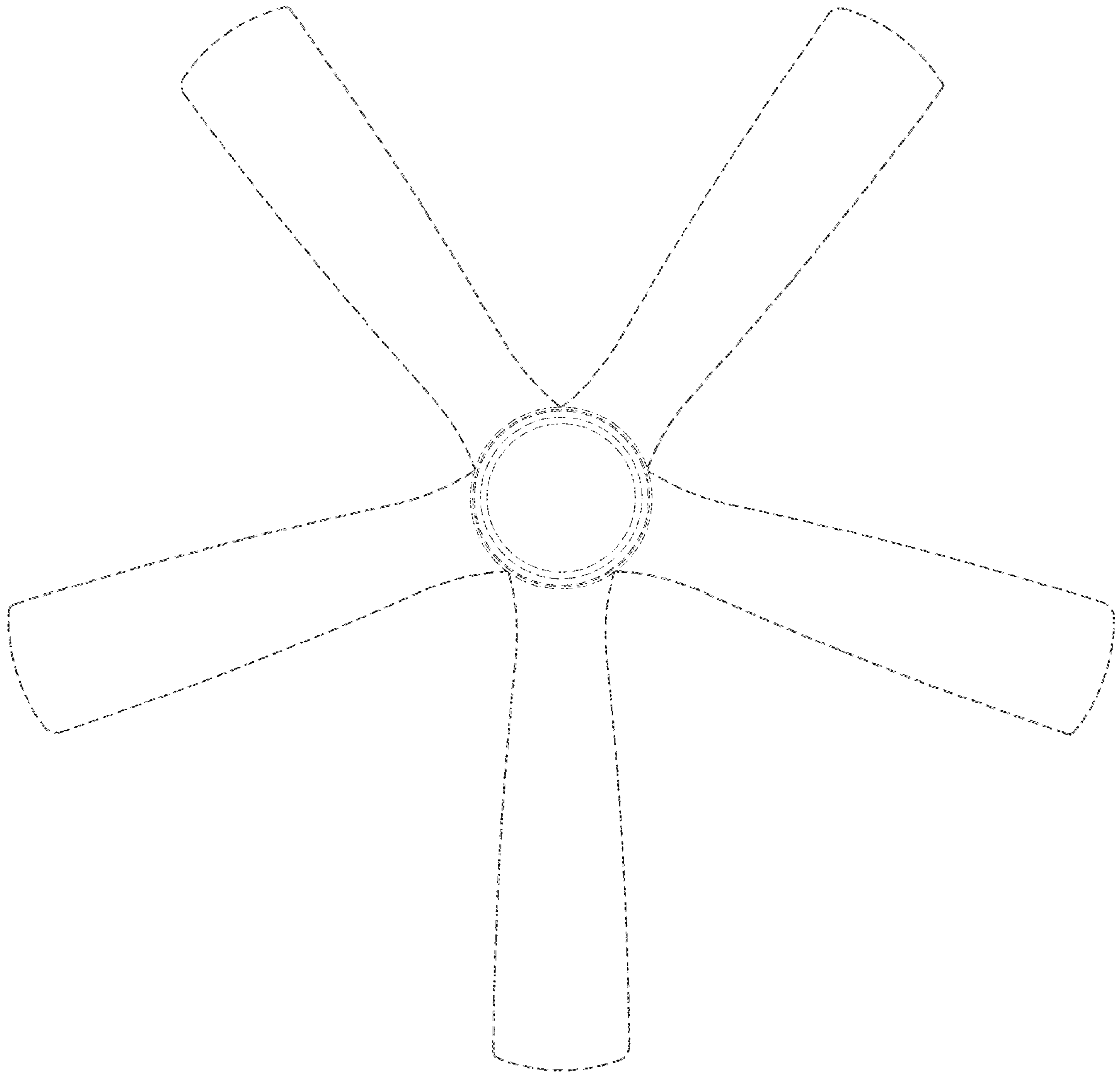


FIG. 7

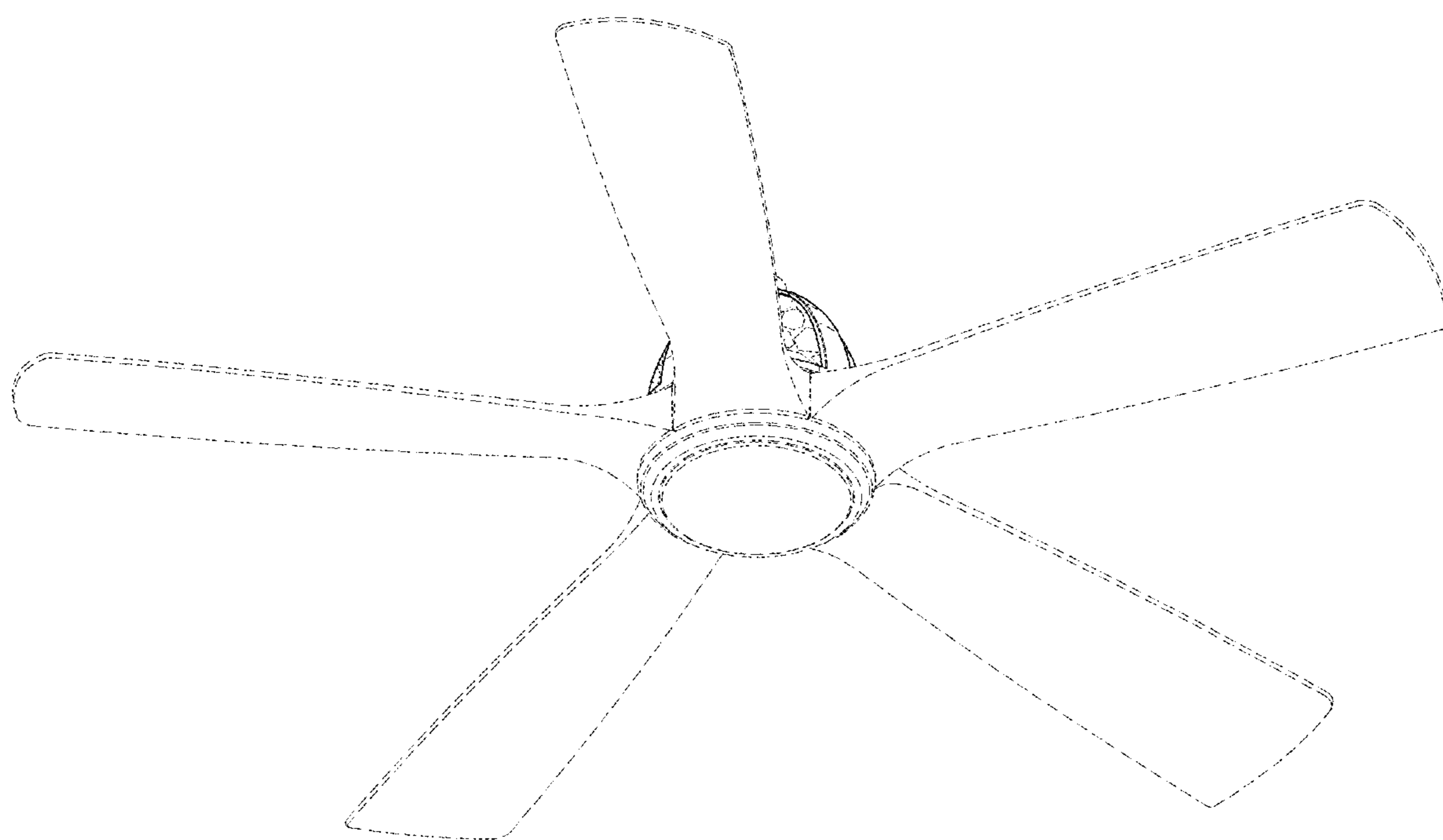


FIG. 8