



US00D940844S

(12) **United States Design Patent** (10) **Patent No.:** **US D940,844 S**  
**Sato** (45) **Date of Patent:** **\*\* Jan. 11, 2022**

(54) **AIR CONDITIONER**

FOREIGN PATENT DOCUMENTS

(71) Applicant: **Mitsubishi Electric Corporation,**  
Tokyo (JP)

GN 302995086 S 11/2014  
IN 324017-001-0001 \* 1/2020  
JP 1258722 S 12/2005  
JP 1344292 S 11/2008

(72) Inventor: **Dai Sato,** Tokyo (JP)

(Continued)

(73) Assignee: **Mitsubishi Electric Corporation,**  
Tokyo (JP)

OTHER PUBLICATIONS

(\*\*) Term: **15 Years**

Office Action issued in JP 2018-017283; mailed by the Japanese Patent Office dated Apr. 16, 2019.

(21) Appl. No.: **29/715,169**

(Continued)

(22) Filed: **Nov. 27, 2019**

*Primary Examiner* — Gino Colan

(51) **LOC (13) Cl.** ..... **23-04**

*Assistant Examiner* — David Obrien

(52) **U.S. Cl.**

(74) *Attorney, Agent, or Firm* — Studebaker & Brackett PC

USPC ..... **D23/351**

(58) **Field of Classification Search**

(57) **CLAIM**

USPC ..... D23/333, 335, 341, 342, 351–356, 359,  
D23/362, 388, 390, 393; 165/157  
CPC .... F24F 1/00; F24F 1/0007; F24F 1/02; F24F  
1/08; F24F 1/42; F24F 1/56; F24F 1/60;  
F24F 3/044; F24F 3/048; F24F 3/16;  
F24F 7/00; F24F 7/04; F24F 12/001;  
F24F 12/006; G05D 23/1905; G05D  
23/1932; G05D 23/1902; G05D 23/1931;  
G05B 19/0426; G05B 19/409; G05B  
15/02; F28D 1/0426

The ornamental design for an air conditioner, as shown and described.

See application file for complete search history.

**DESCRIPTION**

(56) **References Cited**

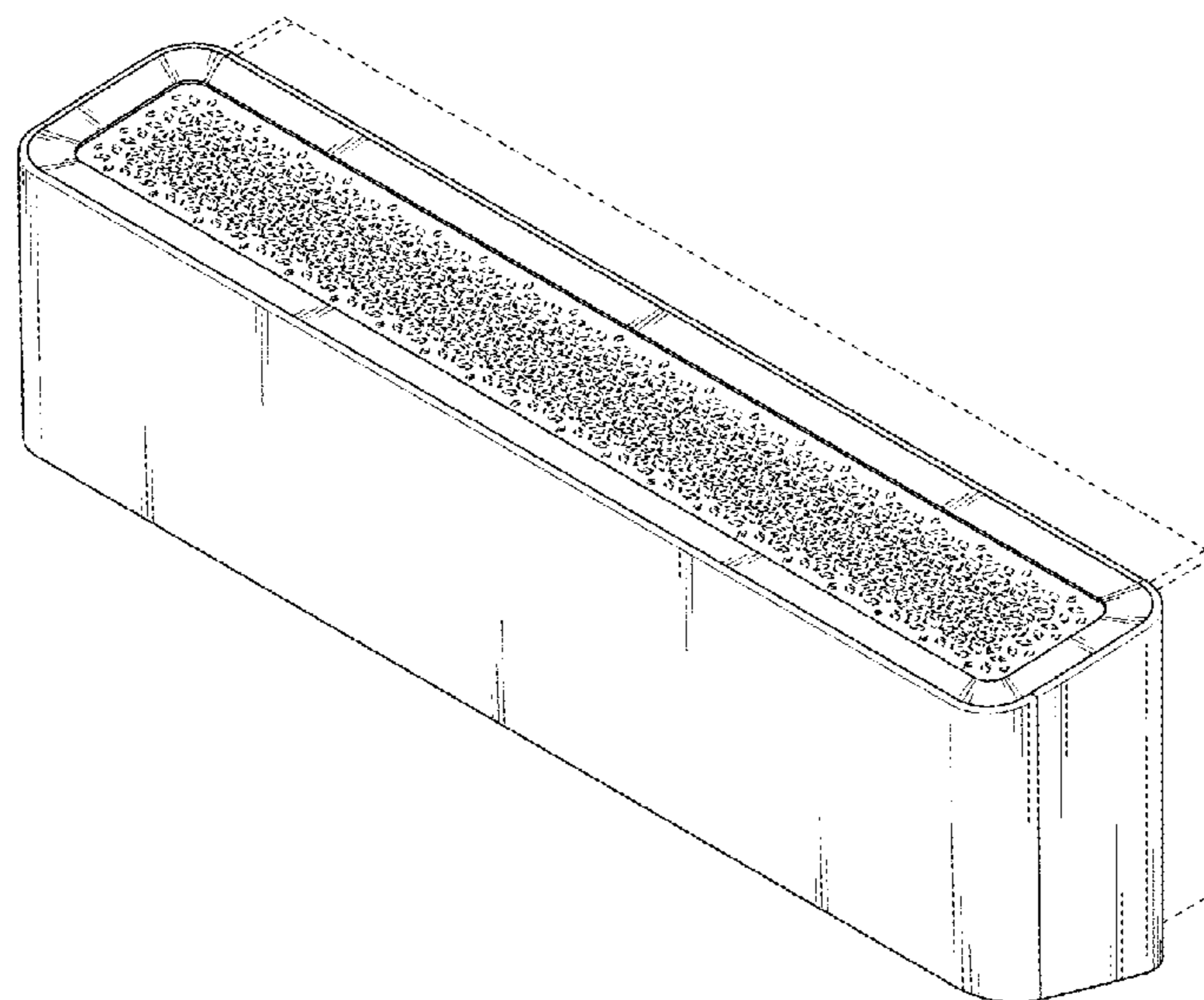
U.S. PATENT DOCUMENTS

D619,236 S \* 7/2010 Schlag ..... D23/351  
D700,308 S \* 2/2014 Saitou ..... D23/351  
D709,605 S \* 7/2014 Freedman ..... D23/355  
D754,830 S \* 4/2016 Huang ..... D23/351  
D849,910 S \* 5/2019 Arai ..... D23/351  
D849,912 S \* 5/2019 Arai ..... D23/351  
D886,265 S \* 6/2020 Yamamoto ..... D23/351  
D919,778 S \* 5/2021 Sato ..... D23/351

FIG. 1 is a first perspective view of the front, right, and top sides of an air conditioner showing my new design;  
FIG. 2 is a second perspective view of the front, left, and bottom sides thereof;  
FIG. 3 is a front view thereof;  
FIG. 4 is a rear view thereof;  
FIG. 5 is a right side view thereof a left side view being a mirror image thereof;  
FIG. 6 is a top plan view thereof;  
FIG. 7 is a bottom plan view thereof; and,  
FIG. 8 is a cross-sectional end view showing only a cut surface of a cut part 8-8, with omitting the interior mechanism.

The broken lines showing the figures are for the purpose of illustrating portions of the air conditioner and form no part of the claimed design.

**1 Claim, 8 Drawing Sheets**



(56)

**References Cited**

FOREIGN PATENT DOCUMENTS

JP	1371998	S	10/2009
JP	1373000	S	11/2009
JP	1373034	S	11/2009
JP	1521516	S	4/2015
JP	1521517	S	4/2015
JP	1449464	S	8/2015
JP	1548486	S	4/2016
JP	1548487	S	4/2016
JP	1561217	S	10/2016
JP	1589584	S	10/2017
WO	WO-D203103-001	*	2/2021
WO	WO-D203103-002	*	2/2021
WO	WO-D203103-003	*	2/2021
WO	WO-D203103-004	*	2/2021
WO	WO-D203103-005	*	2/2021
WO	WO-D203103-006	*	2/2021
WO	WO-D203103-007	*	2/2021

OTHER PUBLICATIONS

Office Action issued in JP 2018-017283; mailed by the Japanese Patent Office dated Sep. 10, 2019.

\* cited by examiner

Fig. 1

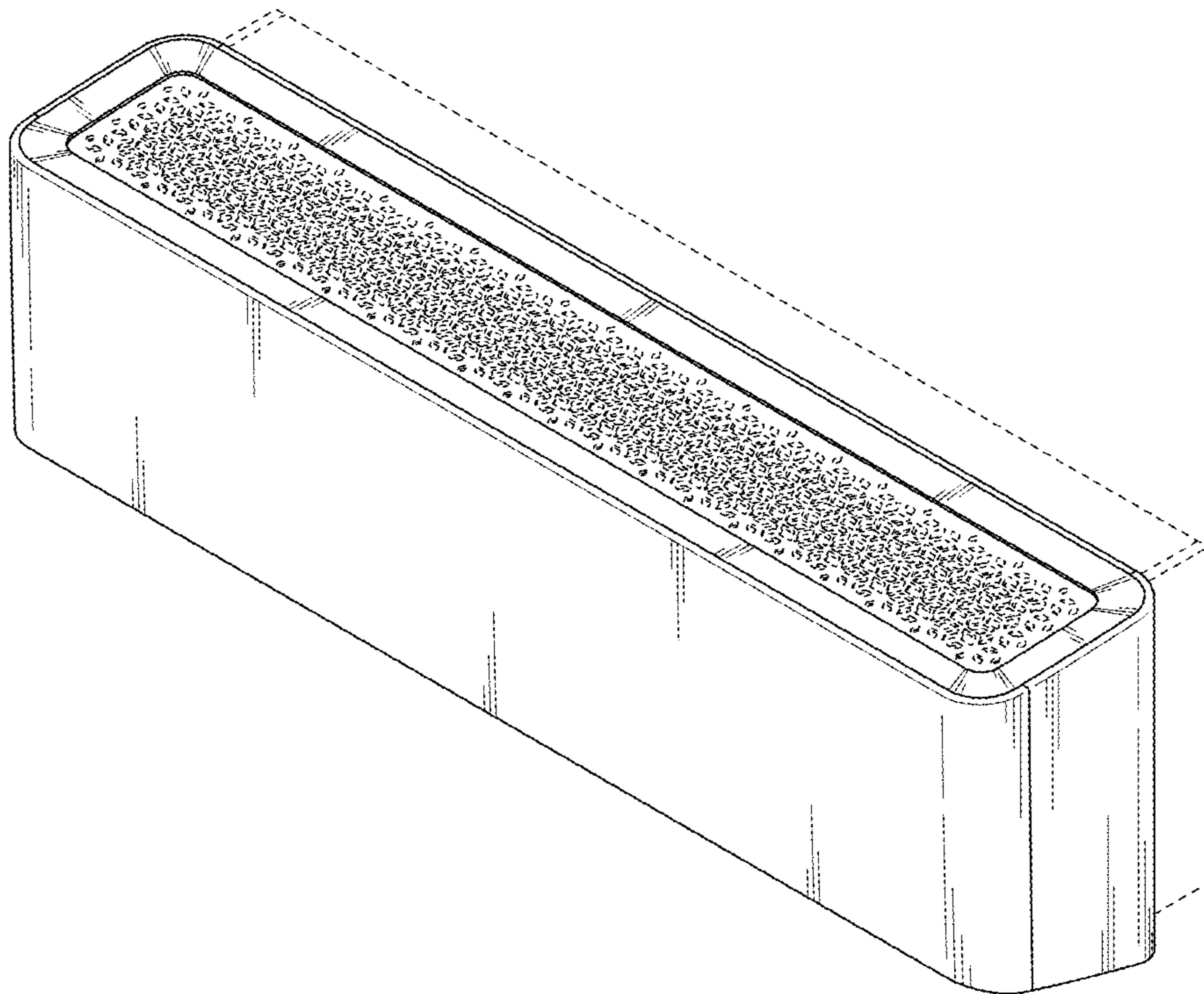


Fig.2

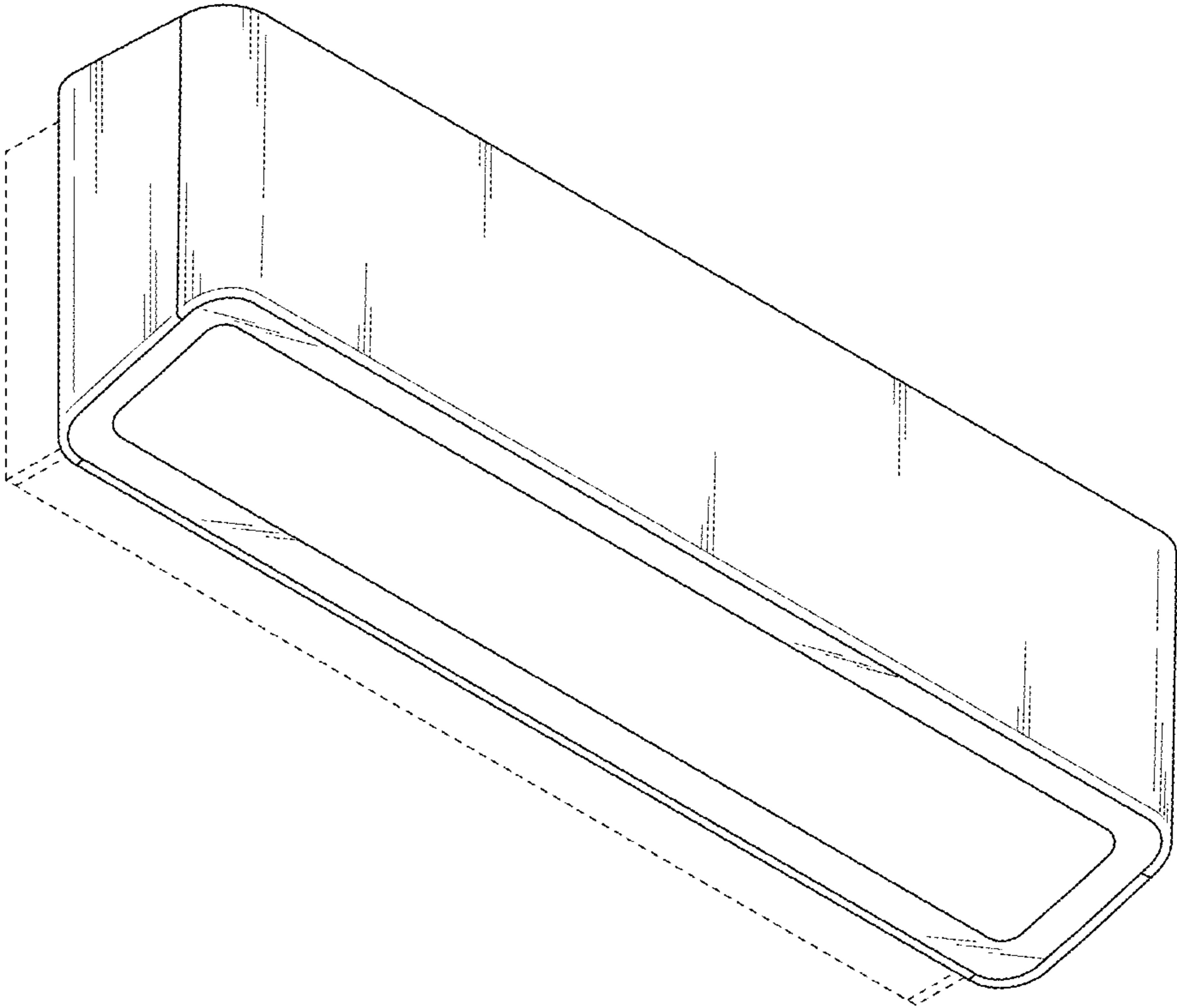


Fig.3

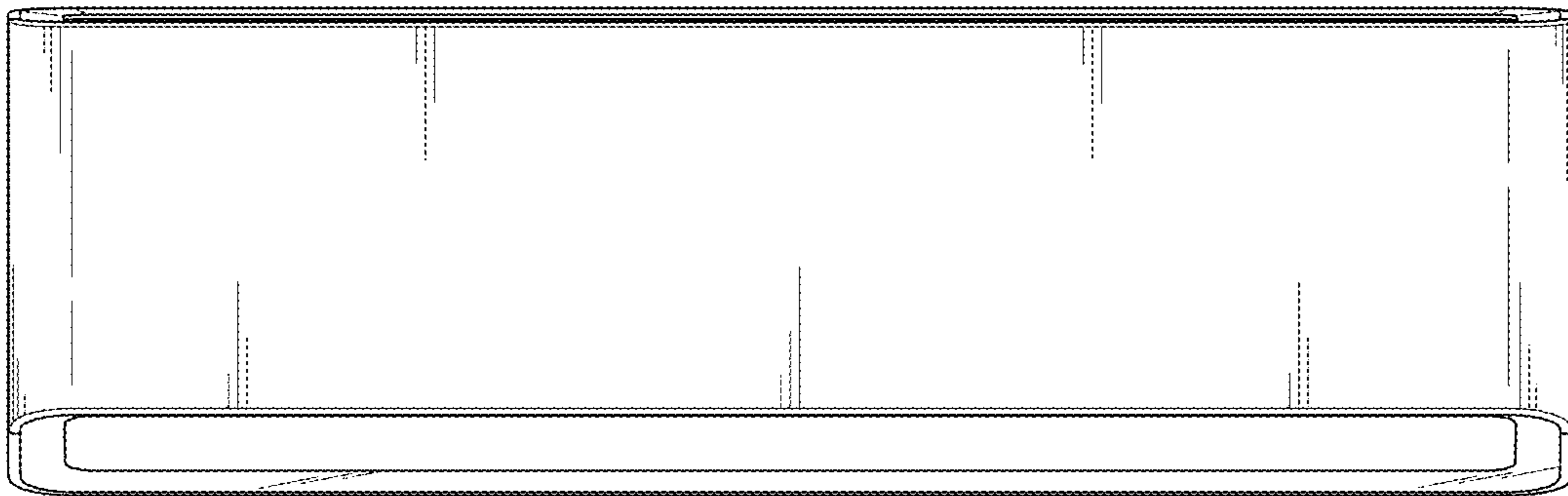


Fig.4

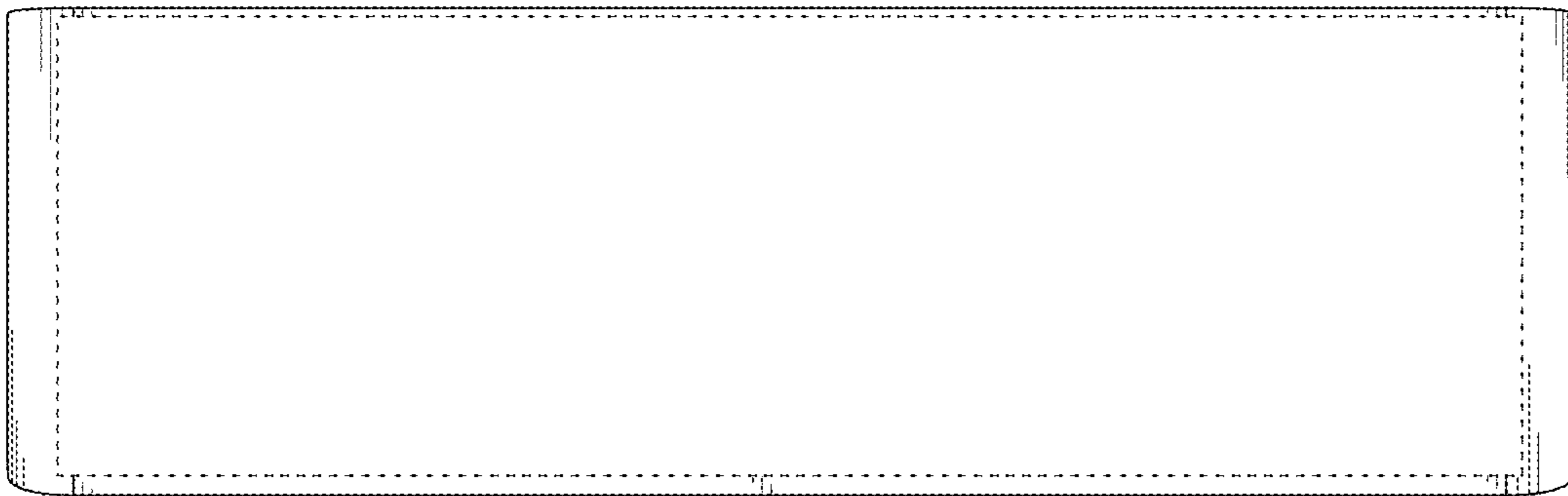


Fig.5

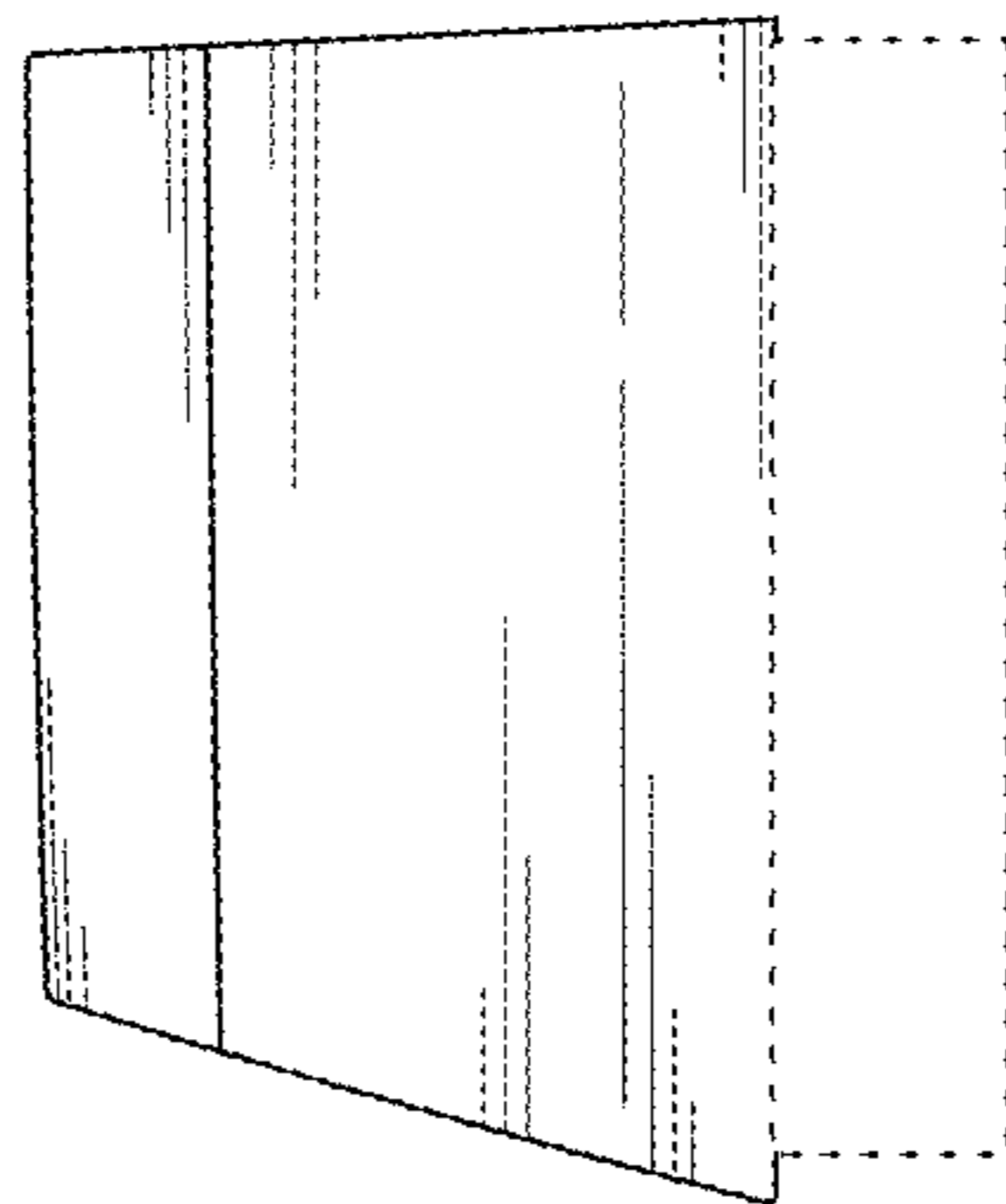




Fig.6

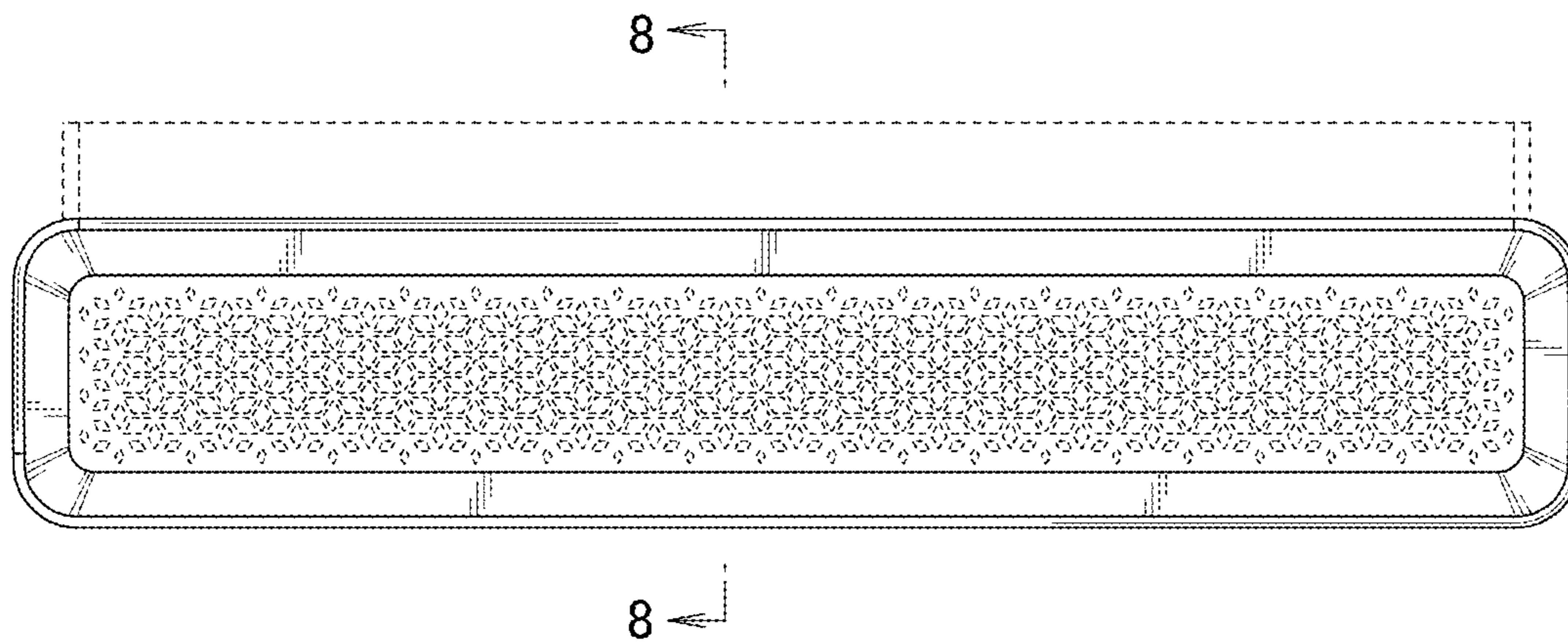




Fig.7

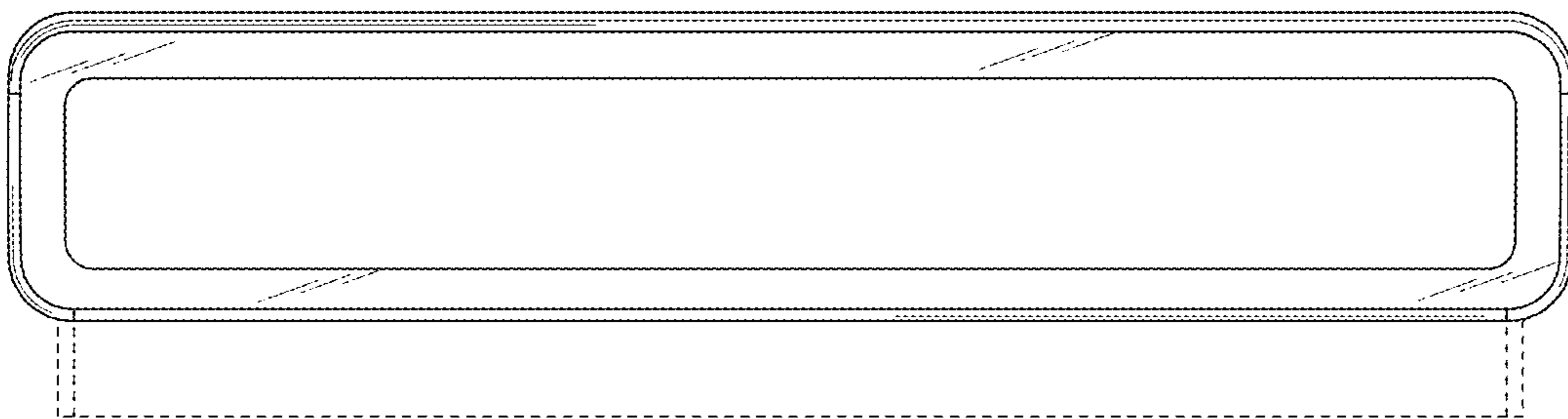


Fig.8

