



US00D940842S

(12) **United States Design Patent**  
**Wang et al.**

(10) **Patent No.:** **US D940,842 S**  
(45) **Date of Patent:** **\*\* Jan. 11, 2022**

(54) **BIOMASS STOVE**

(71) Applicants: **Chenkai Wang**, Shengzhou (CN);  
**Huiyang Shen**, Shengzhou (CN)

(72) Inventors: **Chenkai Wang**, Shengzhou (CN);  
**Huiyang Shen**, Shengzhou (CN)

(73) Assignee: **SSM Energy Innovation LLC**, Cottage  
Grove, OR (US)

(\*\*) Term: **15 Years**

(21) Appl. No.: **29/701,589**

(22) Filed: **Aug. 13, 2019**

(51) **LOC (13) Cl.** ..... **23-03**

(52) **U.S. Cl.**  
USPC ..... **D23/342**; D23/336

(58) **Field of Classification Search**  
USPC ..... D23/332, 314, 343, 348, 350, 346, 342,  
D23/339, 338, 336; D7/332–337,  
D7/402–405, 352  
CPC ..... F24C 1/16; F24C 5/00; F24C 3/14; A47J  
33/00; A47J 37/0763; A47J 37/07; F24B  
1/18; F24B 1/182; F24B 1/1808; F24B  
1/181; F24B 1/195; F24B 1/191  
See application file for complete search history.

(56) **References Cited**

**U.S. PATENT DOCUMENTS**

D201,937 S \* 8/1965 Name not available ..... D7/337  
D270,420 S \* 9/1983 Baugh ..... D7/337

D521,133 S \* 5/2006 Walker ..... D23/342  
2017/0198917 A1 \* 7/2017 Gillespie ..... F24B 1/026  
2017/0215641 A1 \* 8/2017 DeBruler ..... A47J 37/0704  
2018/0263415 A1 \* 9/2018 Hackley ..... A47J 37/0786  
2018/0340690 A1 \* 11/2018 Zhang ..... F23B 60/02  
2018/0368619 A1 \* 12/2018 Boyd, Sr. .... A47J 37/0704  
2020/0015628 A1 \* 1/2020 Fitzgerald ..... A47J 37/0759

\* cited by examiner

*Primary Examiner* — Ania Aman

(74) *Attorney, Agent, or Firm* — Mersenne Law

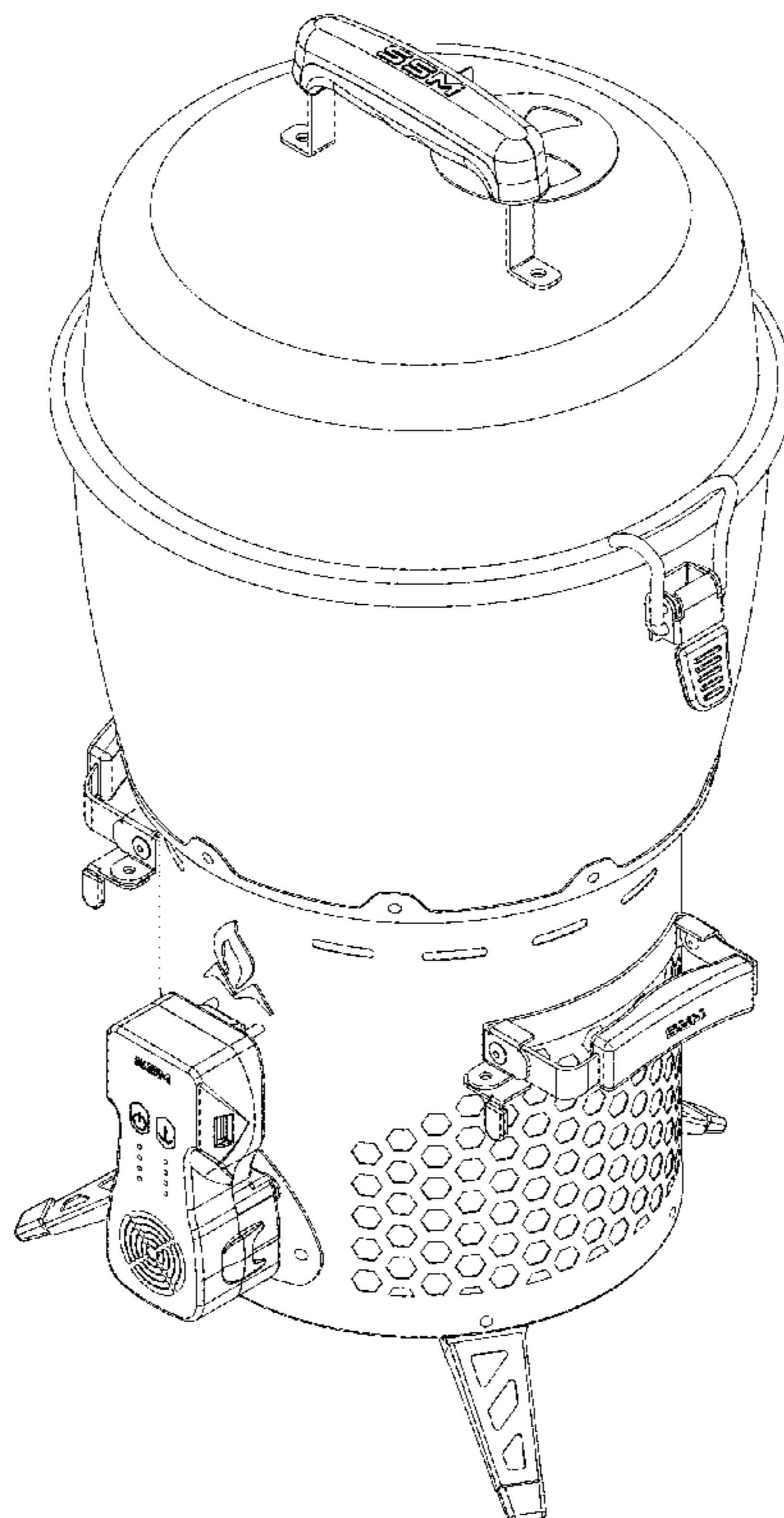
(57) **CLAIM**

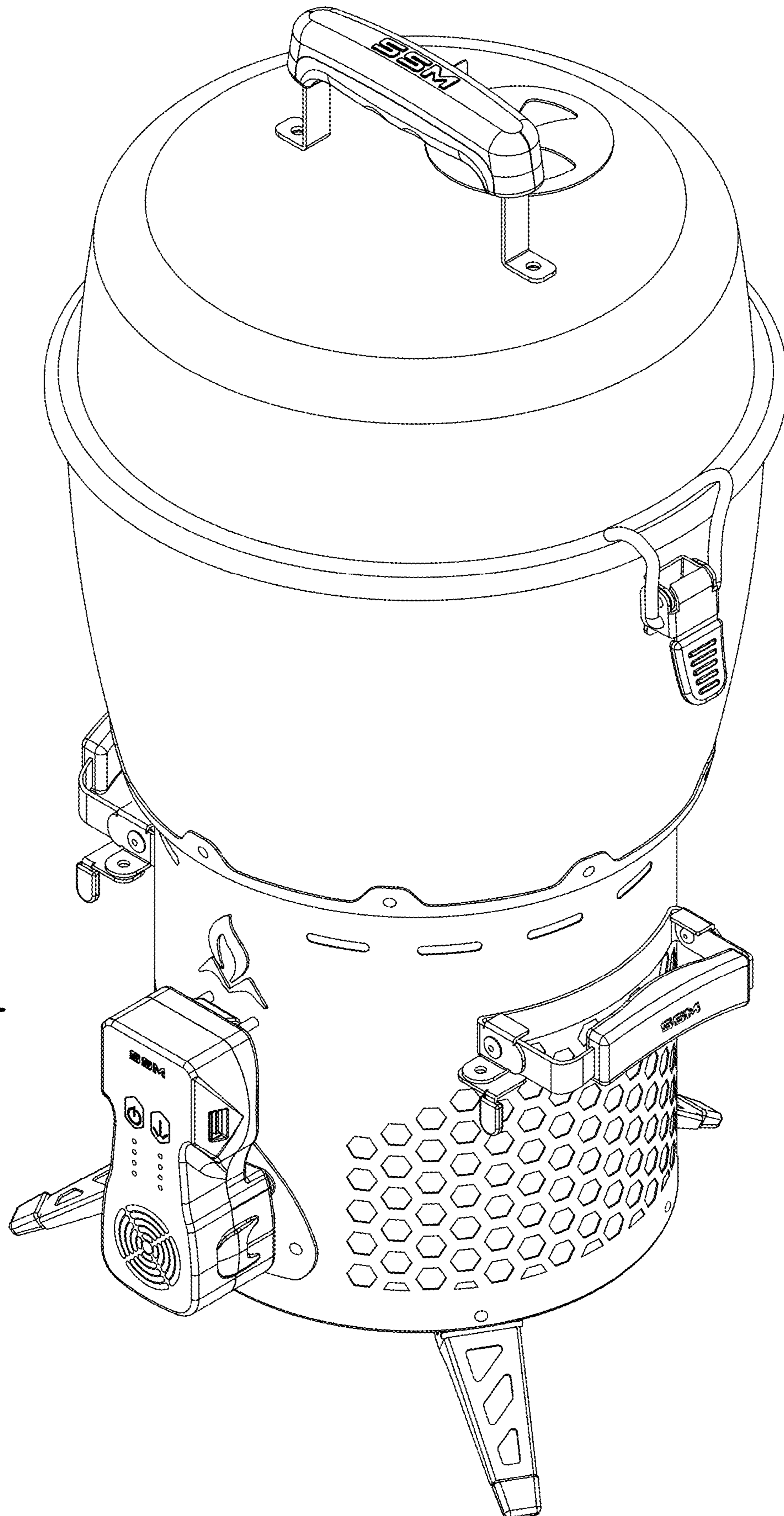
We claim the ornamental design for a biomass stove, as shown and described.

**DESCRIPTION**

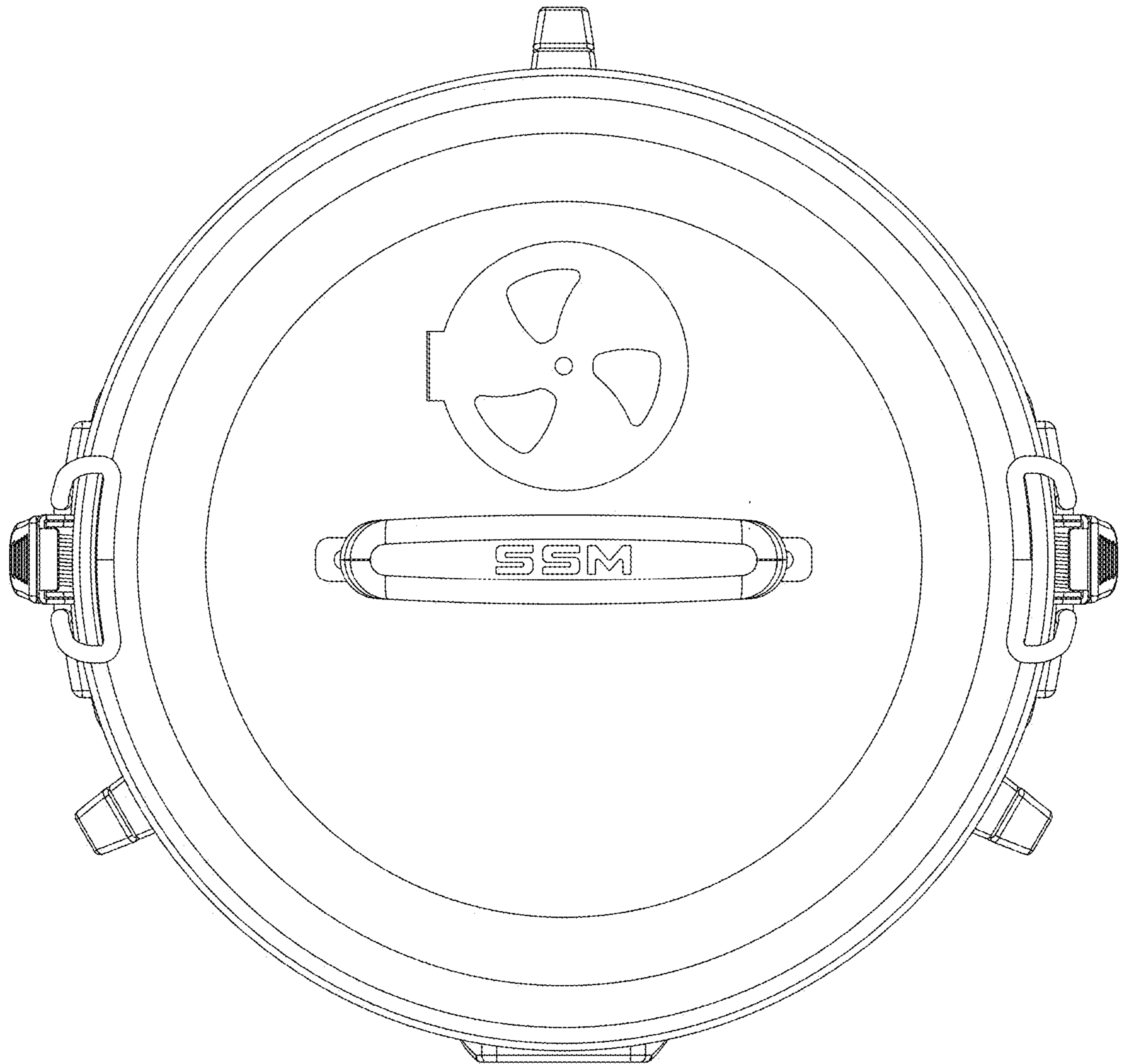
FIG. 1 shows a general perspective view of a biomass stove showing our new design.  
FIG. 2 shows a top plan view.  
FIG. 3 shows a front elevation view.  
FIG. 4 shows a rear elevation view.  
FIG. 5 shows a right side view; and,  
FIG. 6 shows a bottom plan view.  
Broken lines in the foregoing figures indicate boundaries of bottom-surface areas of varying depth that form no part of the design to be patented.

**1 Claim, 6 Drawing Sheets**





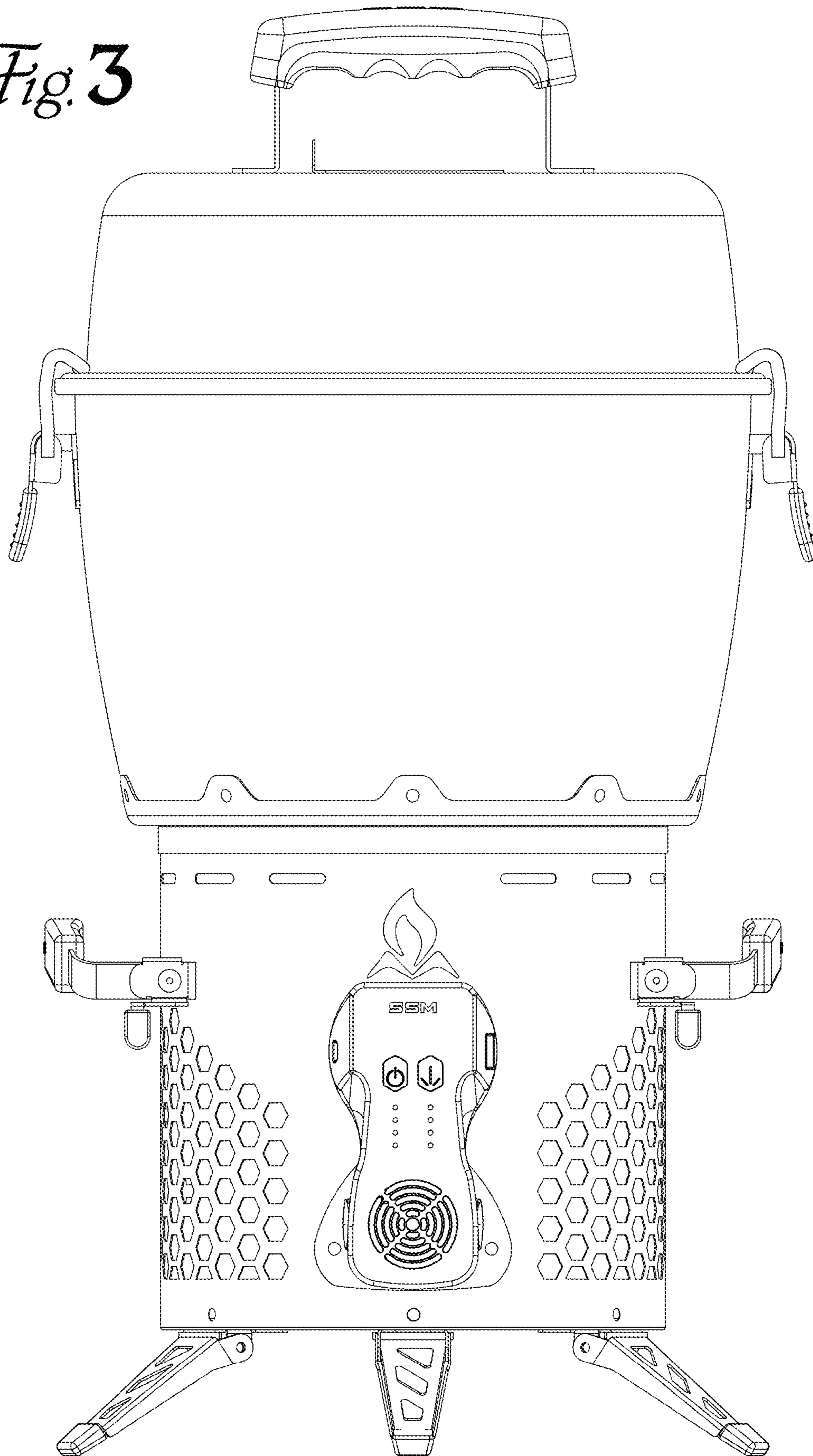
*Fig. 1*



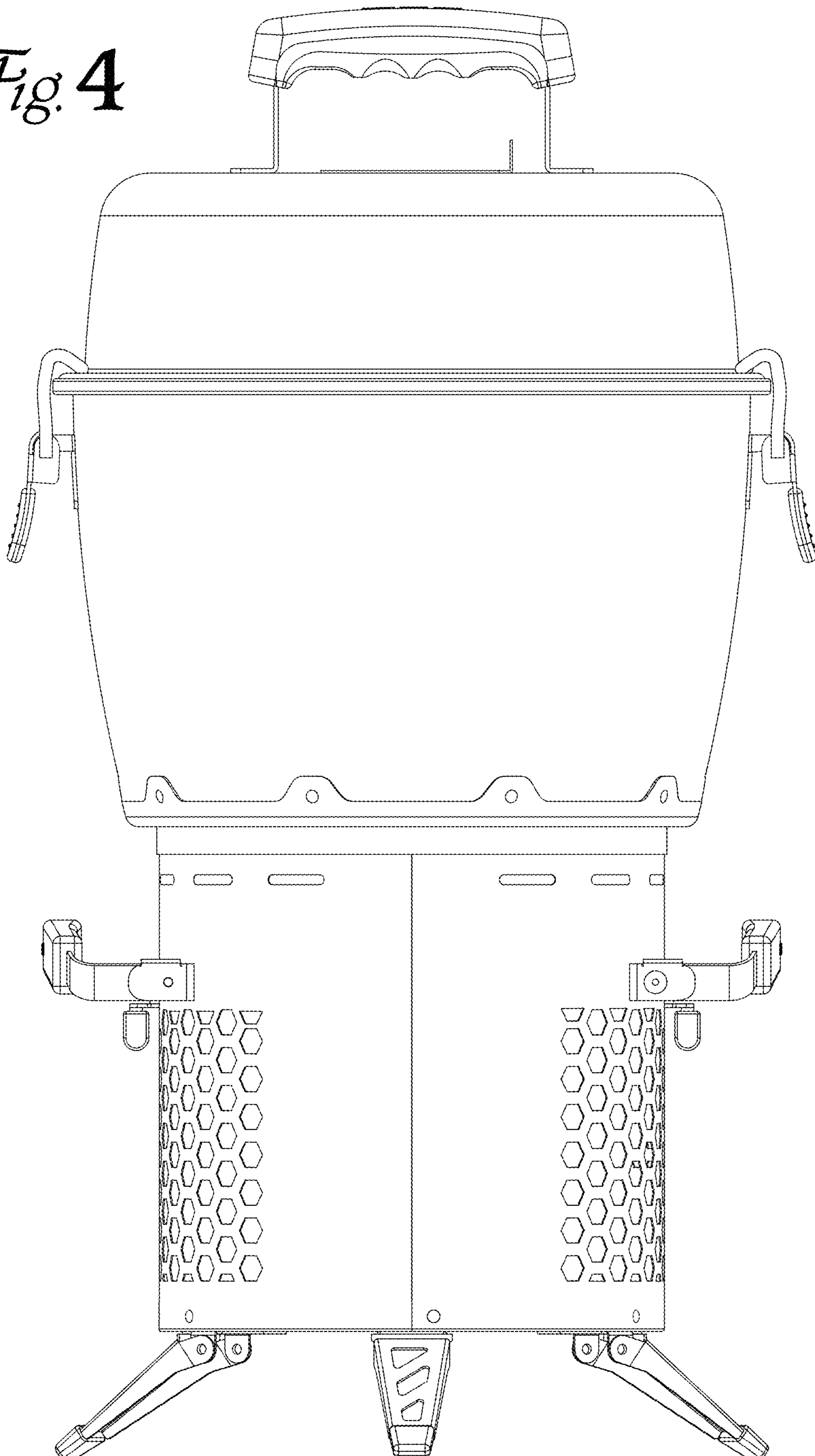
*Fig. 2*



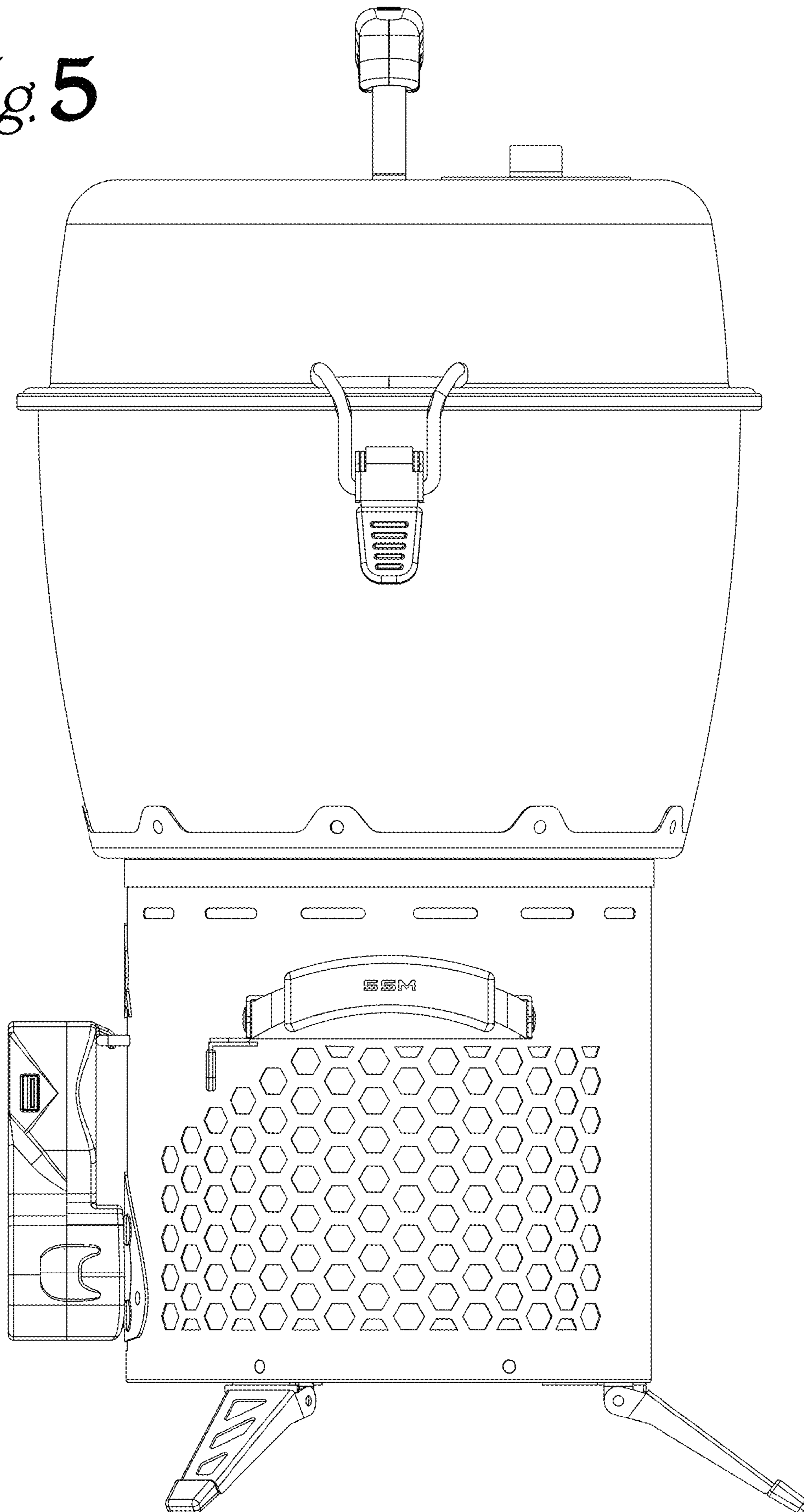
*Fig. 3*



*Fig. 4*



*Fig. 5*



*Fig. 6*

