



US00D940841S

(12) **United States Design Patent**
Weatherbee

(10) **Patent No.:** **US D940,841 S**

(45) **Date of Patent:** **** Jan. 11, 2022**

(54) **FIRE PIT**

(71) Applicant: **Ben Weatherbee**, Uxbridge (CA)

(72) Inventor: **Ben Weatherbee**, Uxbridge (CA)

(**) Term: **15 Years**

(21) Appl. No.: **29/733,791**

(22) Filed: **May 6, 2020**

(51) **LOC (13) Cl.** **23-03**

(52) **U.S. Cl.**
USPC **D23/332**

(58) **Field of Classification Search**
USPC D23/332, 314, 343, 348, 350, 346, 342;
D7/332-337, 402-405, 352
CPC F24C 1/16; F24C 5/00; F24C 3/14; A47J
33/00; A47J 37/0763; A47J 37/07; F24B
1/18; F24B 1/182; F24B 1/1808; F24B
1/181; F24B 1/195; F24B 1/191
See application file for complete search history.

(56) **References Cited**

U.S. PATENT DOCUMENTS

D185,516 S * 6/1959 Smith D7/332
D185,517 S * 6/1959 Smith D7/332

D575,389 S * 8/2008 Lazzara D23/403
D791,294 S * 7/2017 Grisham D23/343
D806,462 S * 1/2018 Zhang D7/332
D865,929 S * 11/2019 Hughes D23/332
D866,737 S * 11/2019 Lyons, Jr. D23/332
D911,503 S * 2/2021 Hillenbrand D23/332
10,989,414 B2 * 4/2021 Poggi F24B 1/182
2021/0063017 A1 * 3/2021 Poggi A47J 37/0763

* cited by examiner

Primary Examiner — Ania Aman

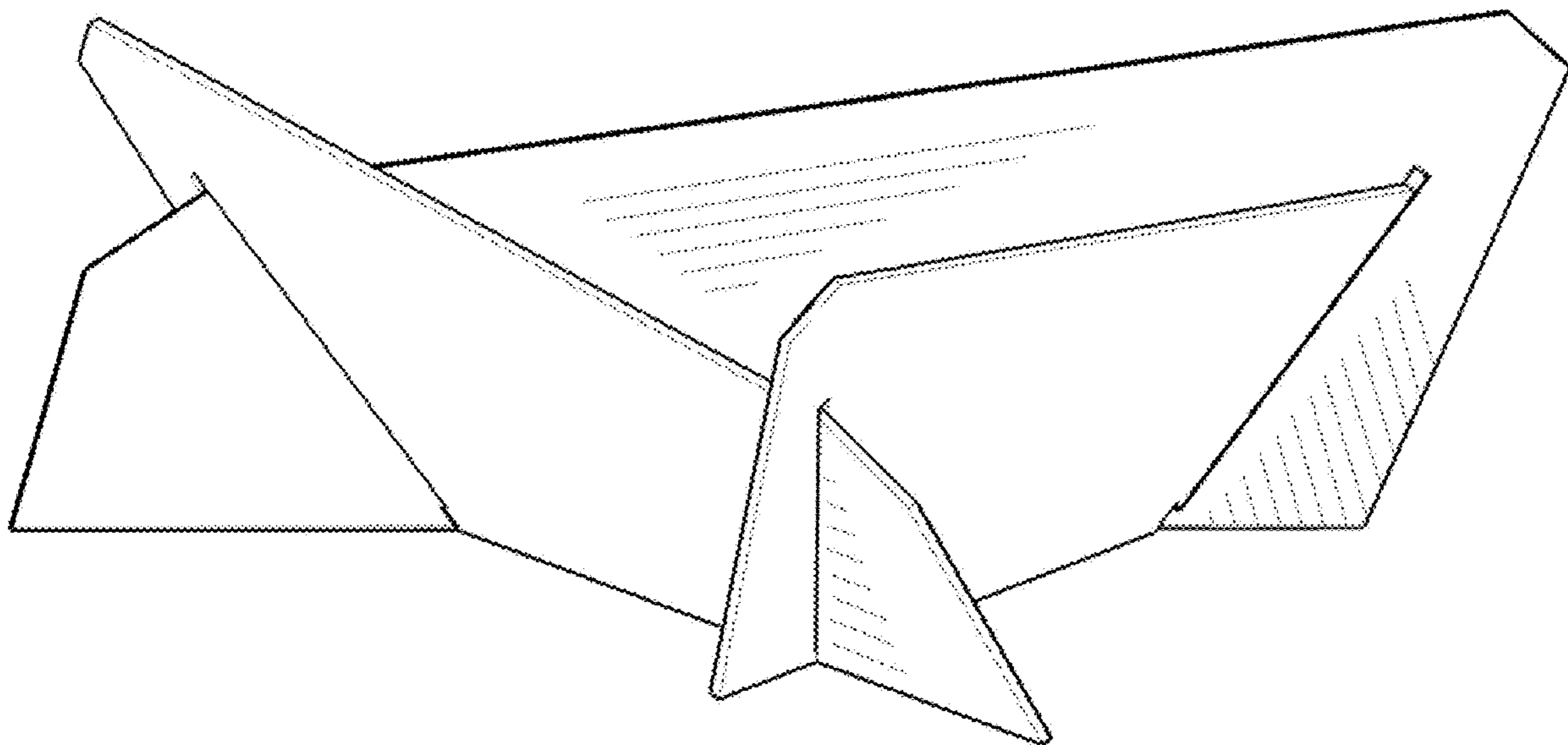
(57) **CLAIM**

I claim the ornamental design for a fire pit, as shown and described.

DESCRIPTION

FIG. 1 is a perspective view of the fire pit;
FIG. 2 is a perspective view of the fire pit at a higher viewing angle than shown in FIG. 1;
FIG. 3 is a front elevational view of the fire pit;
FIG. 4 is a rear elevational view of the fire pit;
FIG. 5 is a left elevational view of the fire pit;
FIG. 6 is a right elevational view of the fire pit;
FIG. 7 is a top view of the fire pit; and,
FIG. 8 is a bottom view of the fire pit.
The broken lines in the FIGURES depict portions of the fire pit that form no part of the claimed design.

1 Claim, 5 Drawing Sheets



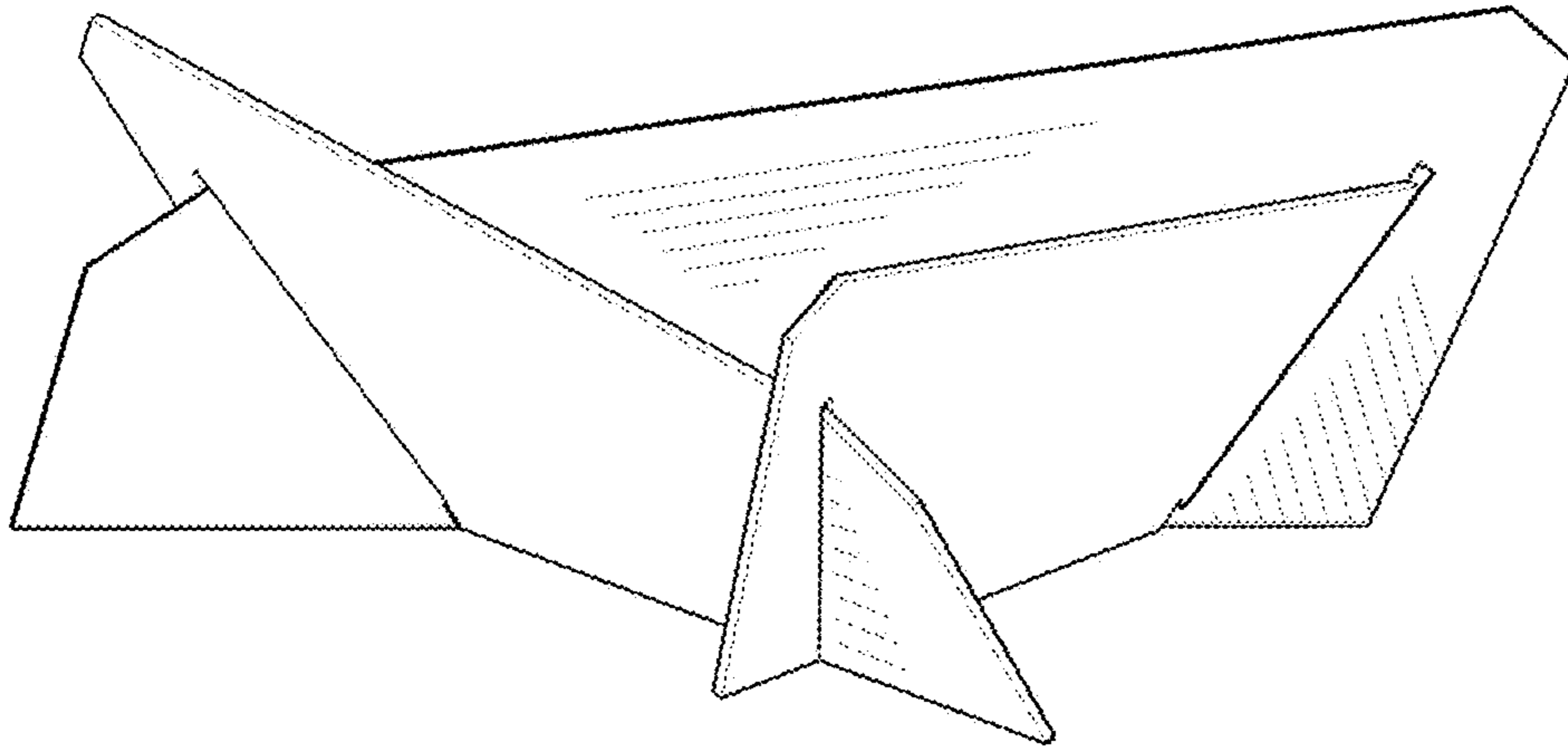


FIG. 1

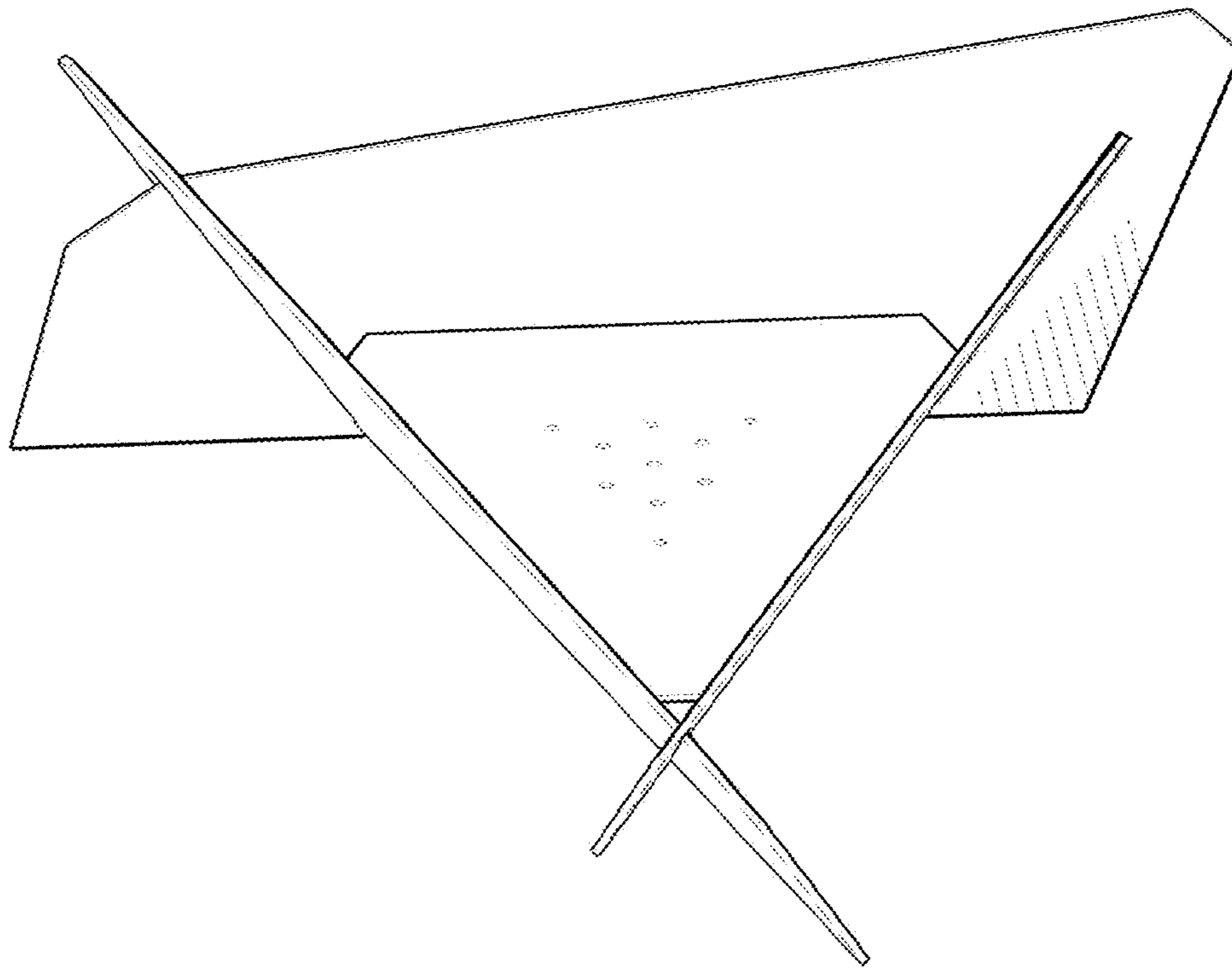


FIG. 2

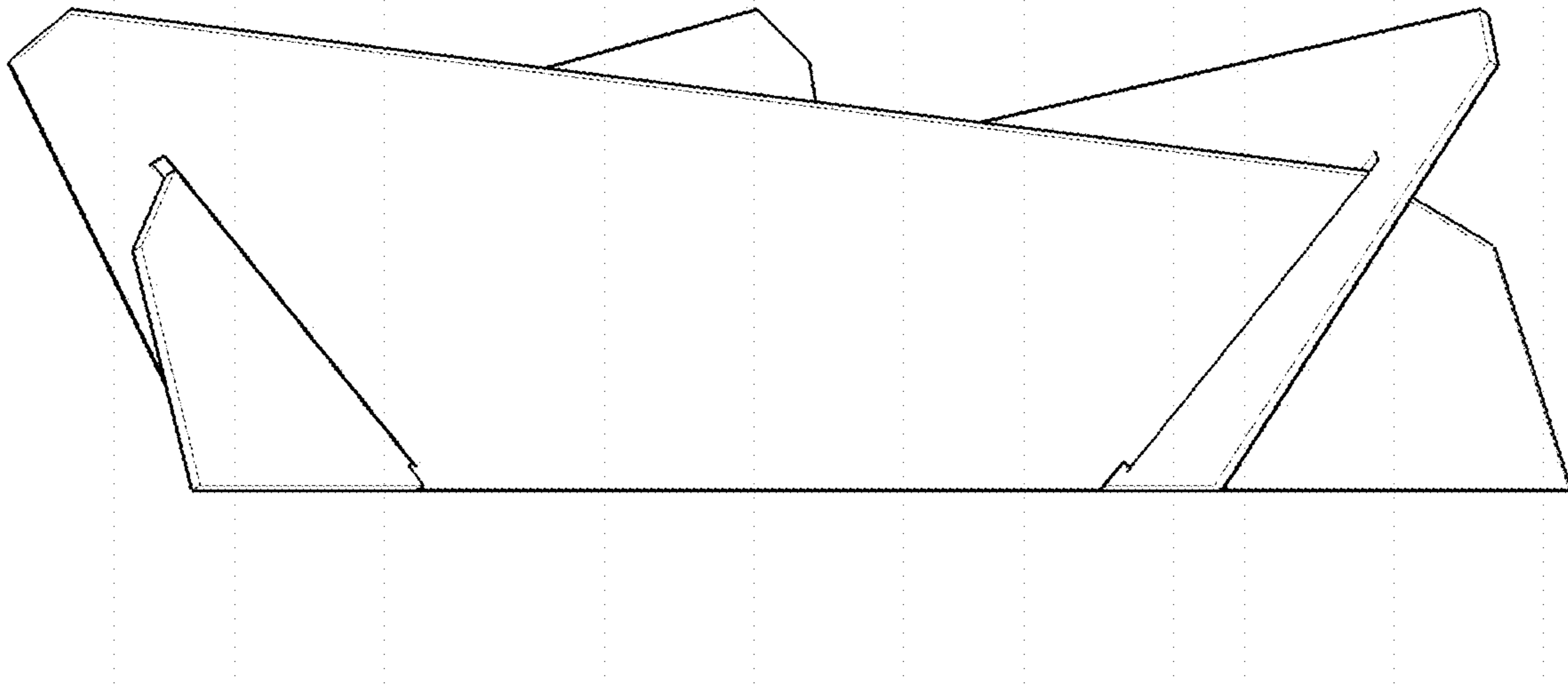


FIG. 3

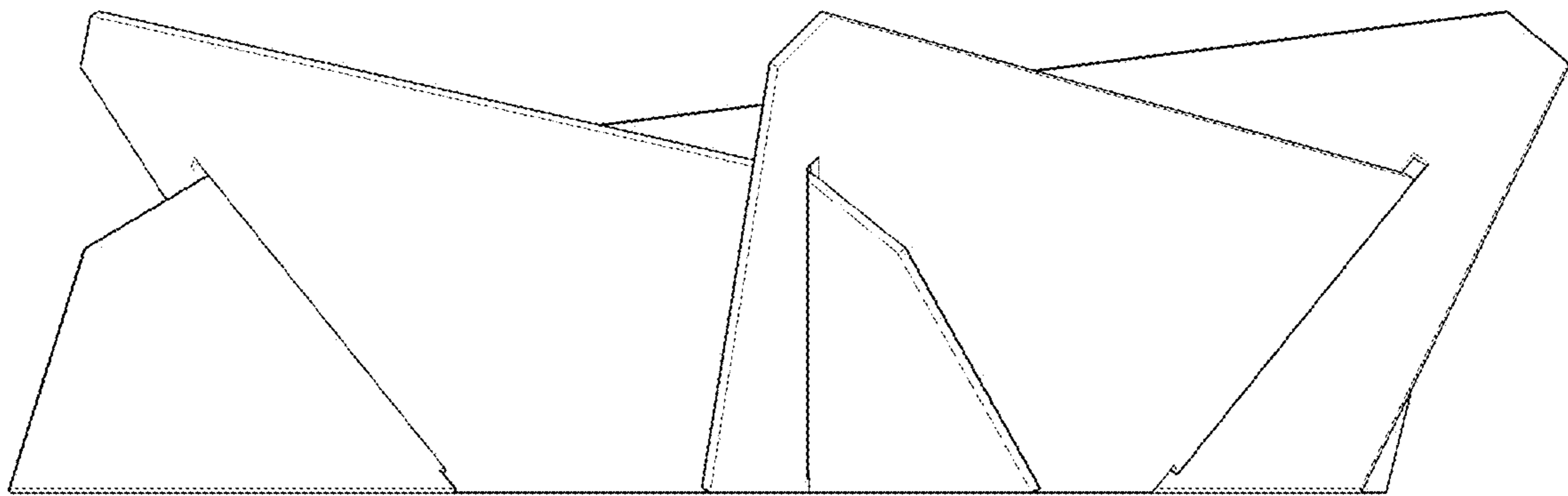


FIG. 4

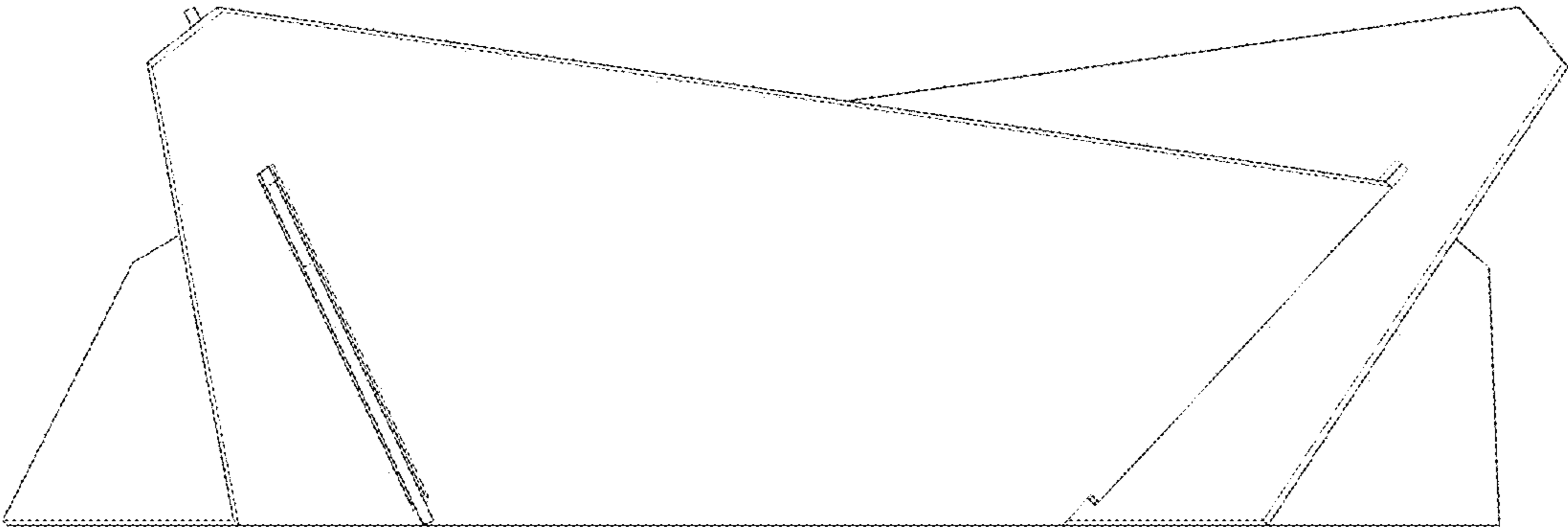


FIG. 5

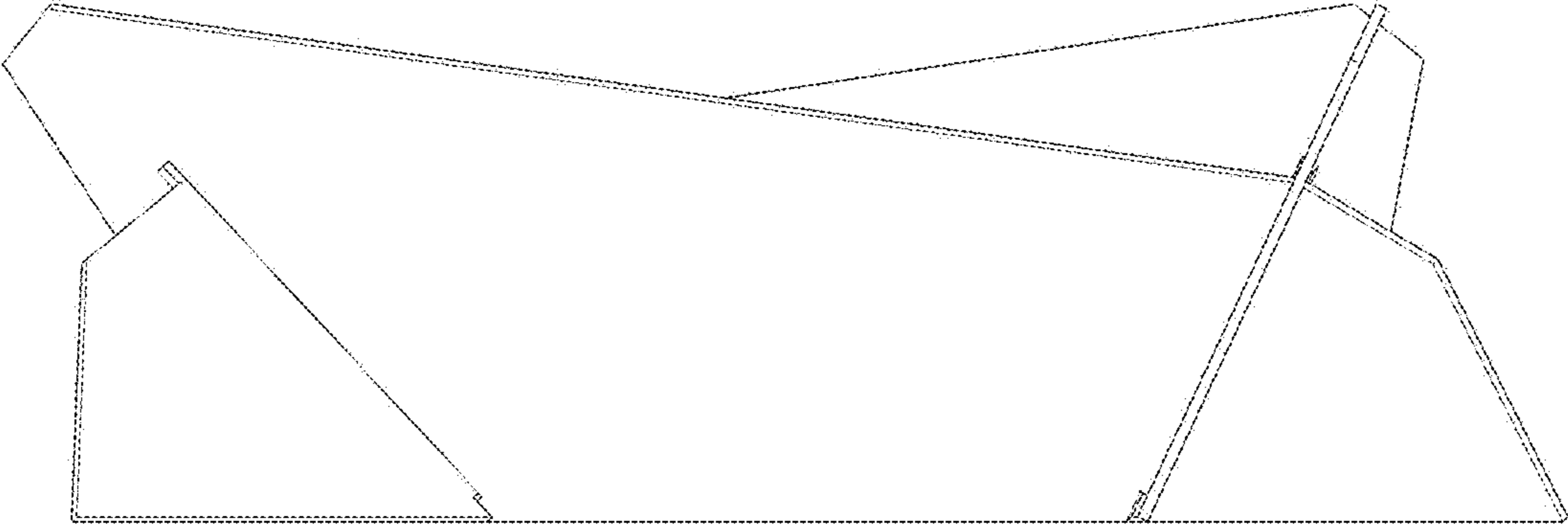


FIG. 6

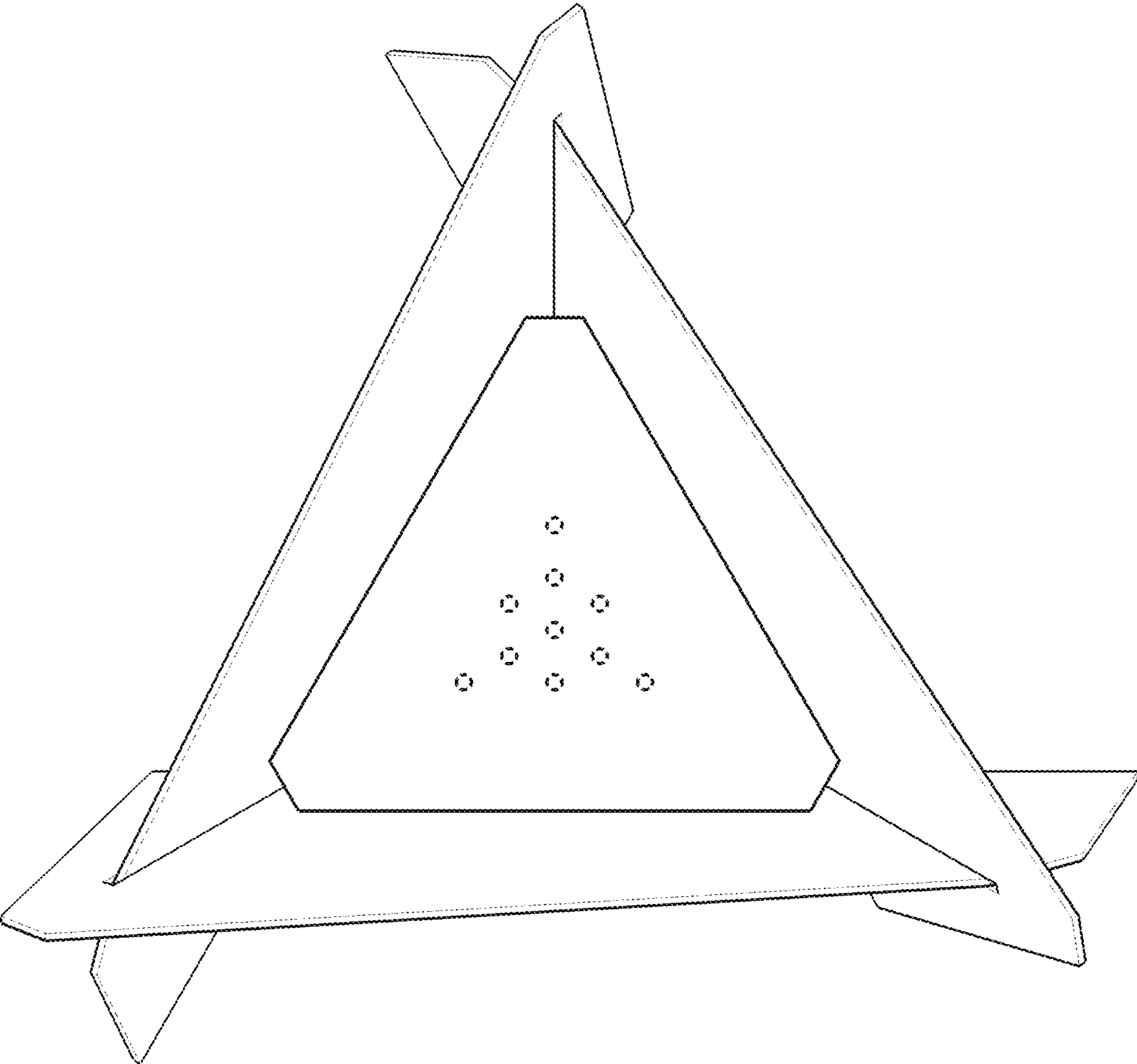


FIG. 7

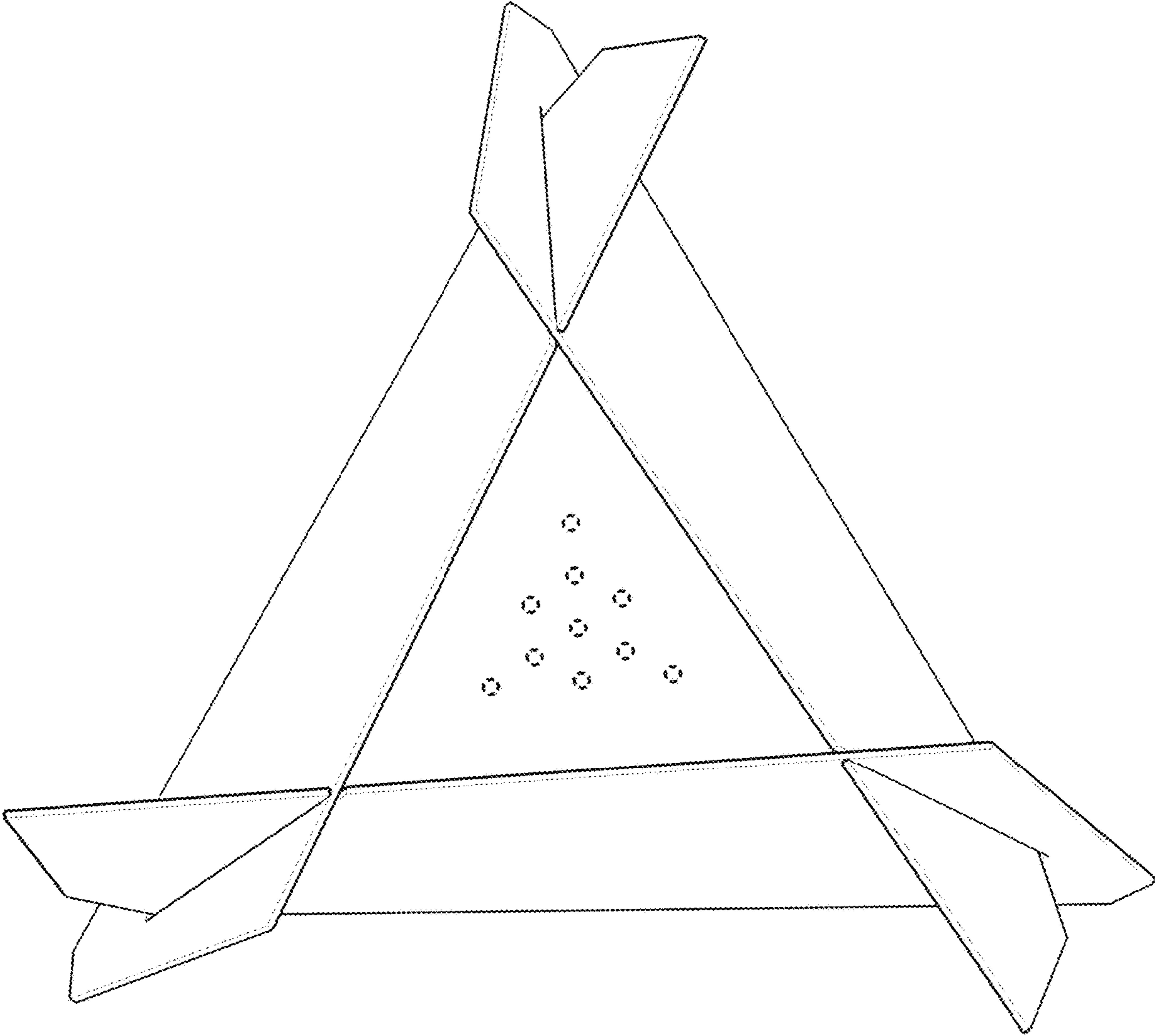


FIG. 8