



US00D940840S

(12) **United States Design Patent**  
**Eilmus et al.**

(10) **Patent No.:** **US D940,840 S**  
(45) **Date of Patent:** **\*\* Jan. 11, 2022**

(54) **SINK**

(74) *Attorney, Agent, or Firm* — Foley & Lardner LLP

(71) Applicant: **Kohler Co.**, Kohler, WI (US)

(57) **CLAIM**

(72) Inventors: **Niels J. Eilmus**, Sheboygan, WI (US);  
**Christopher J. Santos**, Sheboygan Falls, WI (US); **Erika Kovesdi**, Kohler, WI (US)

We claim the ornamental design for a sink, as shown and described.

(73) Assignee: **KOHLER CO.**, Kohler, WI (US)

**DESCRIPTION**

(\*\*) Term: **15 Years**

(21) Appl. No.: **29/805,589**

(22) Filed: **Aug. 27, 2021**

FIG. 1 is a perspective view of the claimed design; FIG. 2 is a front view of the claimed design shown in FIG. 1; FIG. 3 is a rear view of the claimed design shown in FIG. 1; FIG. 4 is a side view of the claimed design shown in FIG. 1; FIG. 5 is another side view of the claimed design shown in FIG. 1; FIG. 6 is a top view of the claimed design shown in FIG. 1; and, FIG. 7 is a bottom view of the claimed design shown in FIG. 1.

**Related U.S. Application Data**

(62) Division of application No. 29/704,516, filed on Sep. 5, 2019, now Pat. No. Des. 932,601.

(51) **LOC (13) Cl.** ..... **23-02**

(52) **U.S. Cl.**  
USPC ..... **D23/308**

(58) **Field of Classification Search**  
USPC ..... D23/284, 286–287, 290, 292, 293.1, 308  
CPC ..... A47K 1/04; A47B 77/06  
See application file for complete search history.

The ornamental design that is claimed is shown in the drawings as solid lines and surfaces having surface shading. The broken lines in the drawings are for illustrative purposes only and form no part of the claimed design. For example, broken lines formed by equal length dashes show unclaimed portions of the design. Broken lines formed of unequal length dashes (i.e., dash-dot) show boundaries between either claimed and unclaimed portions of the design or between unclaimed and unclaimed portions of the design. Break lines having a jagged element are not part of the claimed design. The appearance of any portion of the article between the break lines forms no part of the claimed design. Cross-hatching provided on cut surfaces is for illustrative purposes only and forms no part of the claimed design.

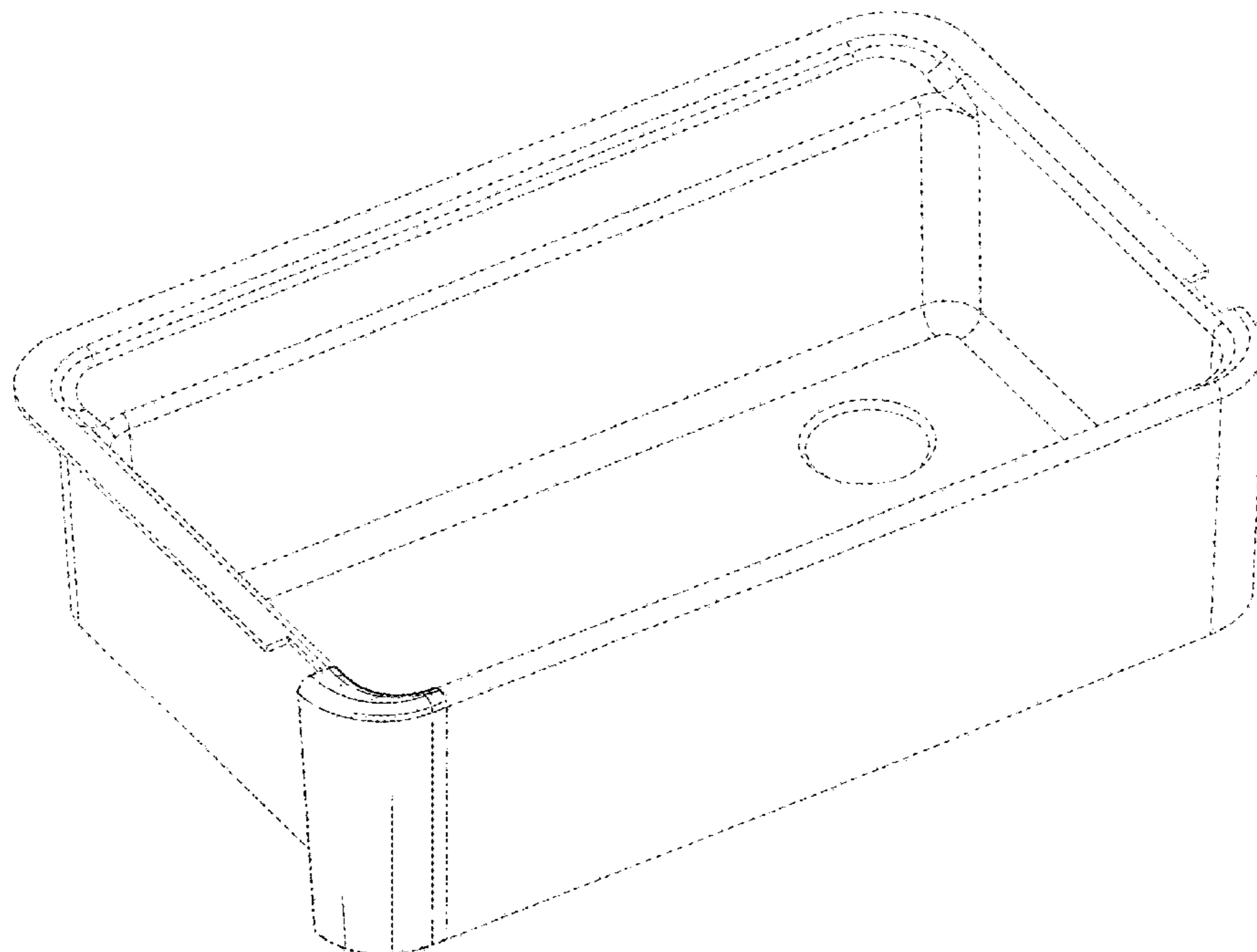
(56) **References Cited**

**U.S. PATENT DOCUMENTS**

D353,652 S	12/1994	Dannenberg
10,151,085 B2	12/2018	Chong et al.
D869,618 S	12/2019	Walther et al.
2021/0112978 A1	4/2021	Miller et al.

*Primary Examiner* — Robert A Delehanty

**1 Claim, 4 Drawing Sheets**



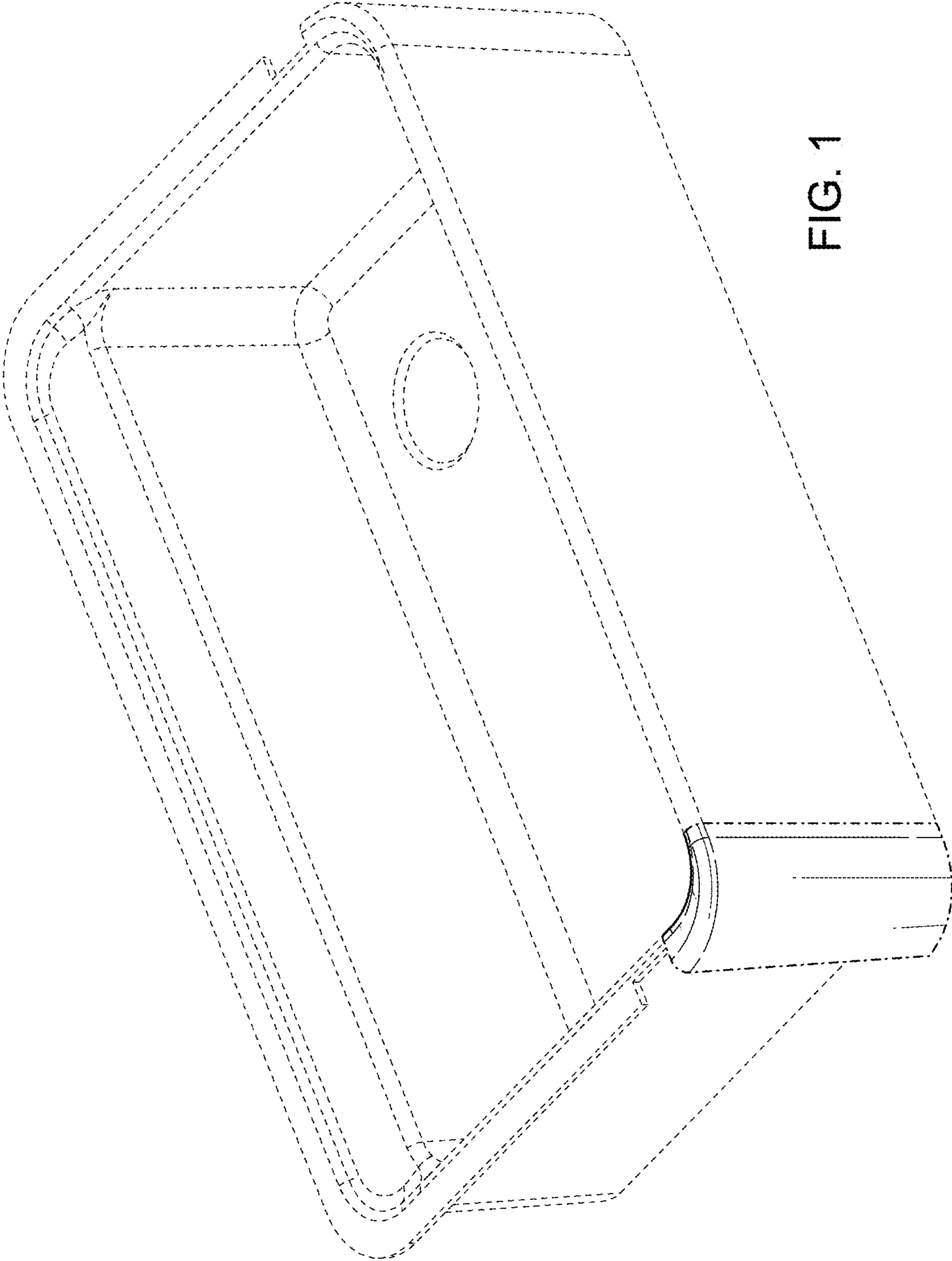


FIG. 1

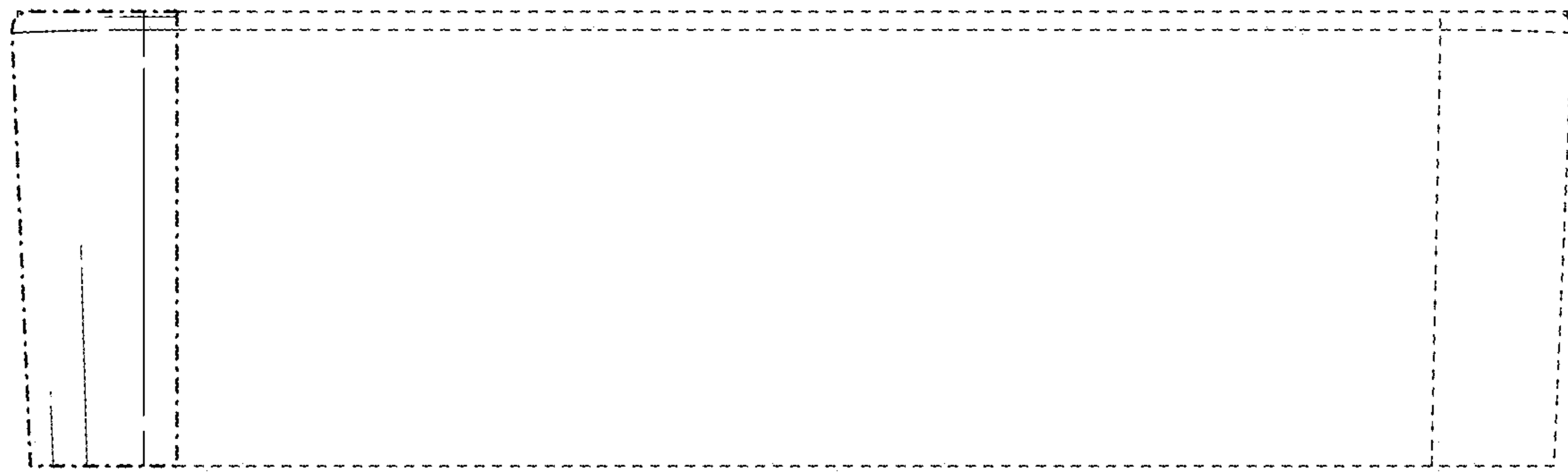


FIG. 2

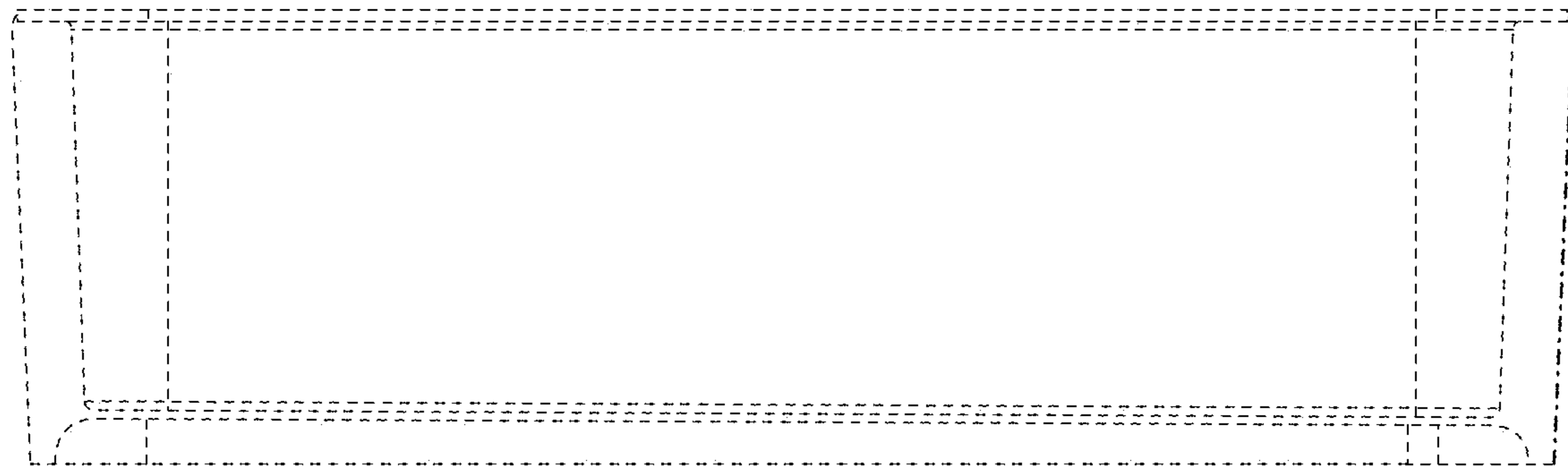


FIG. 3

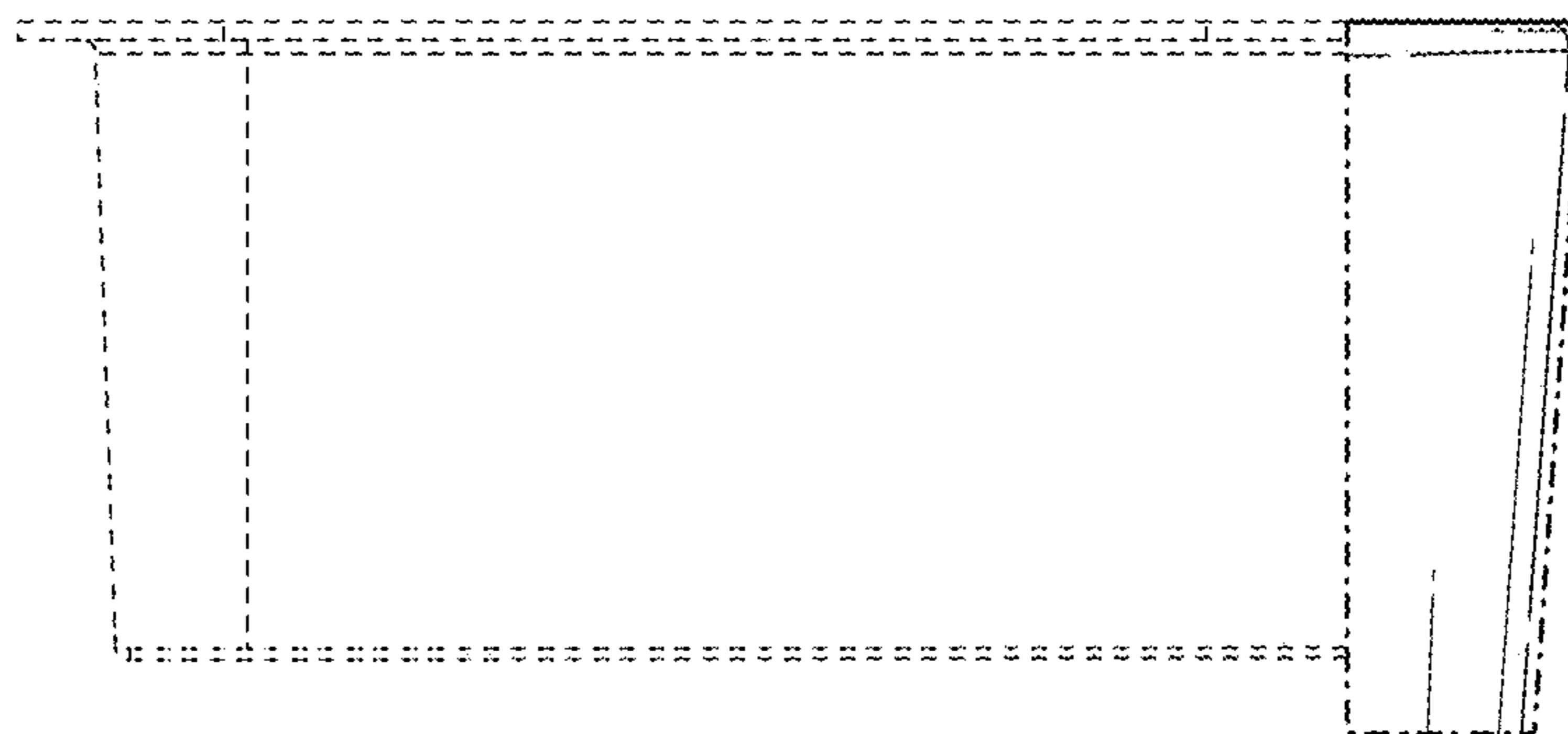


FIG. 4

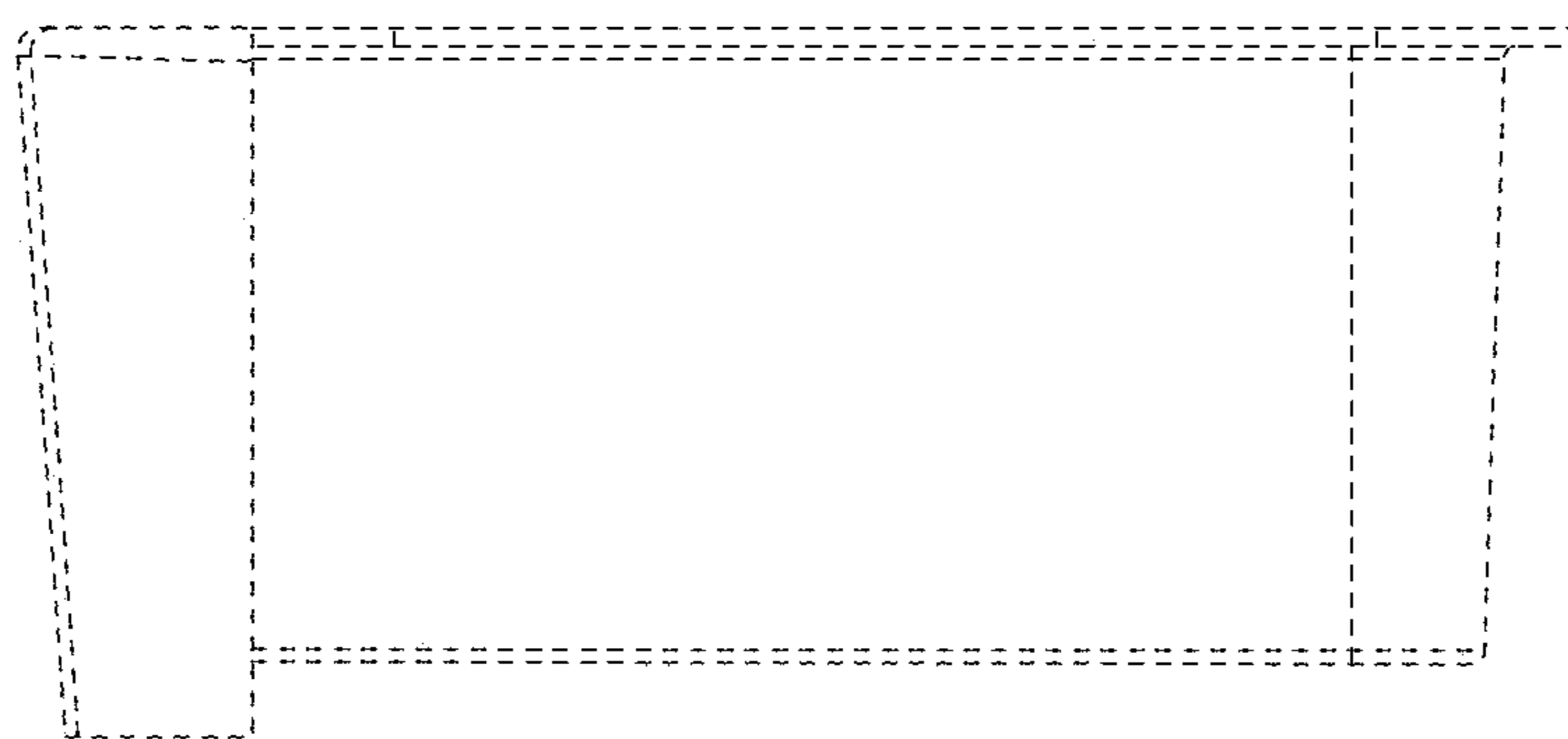


FIG. 5

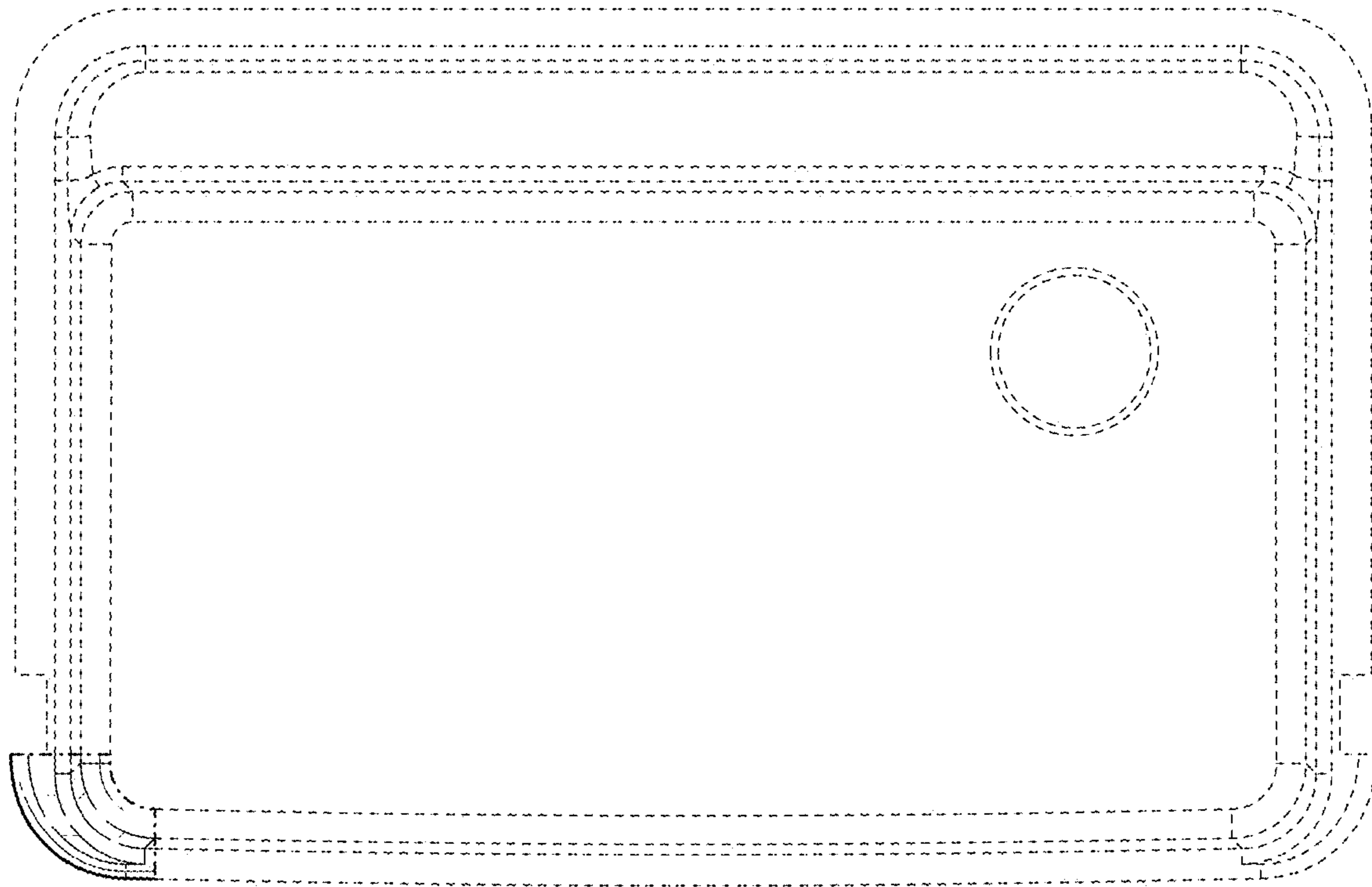


FIG. 6

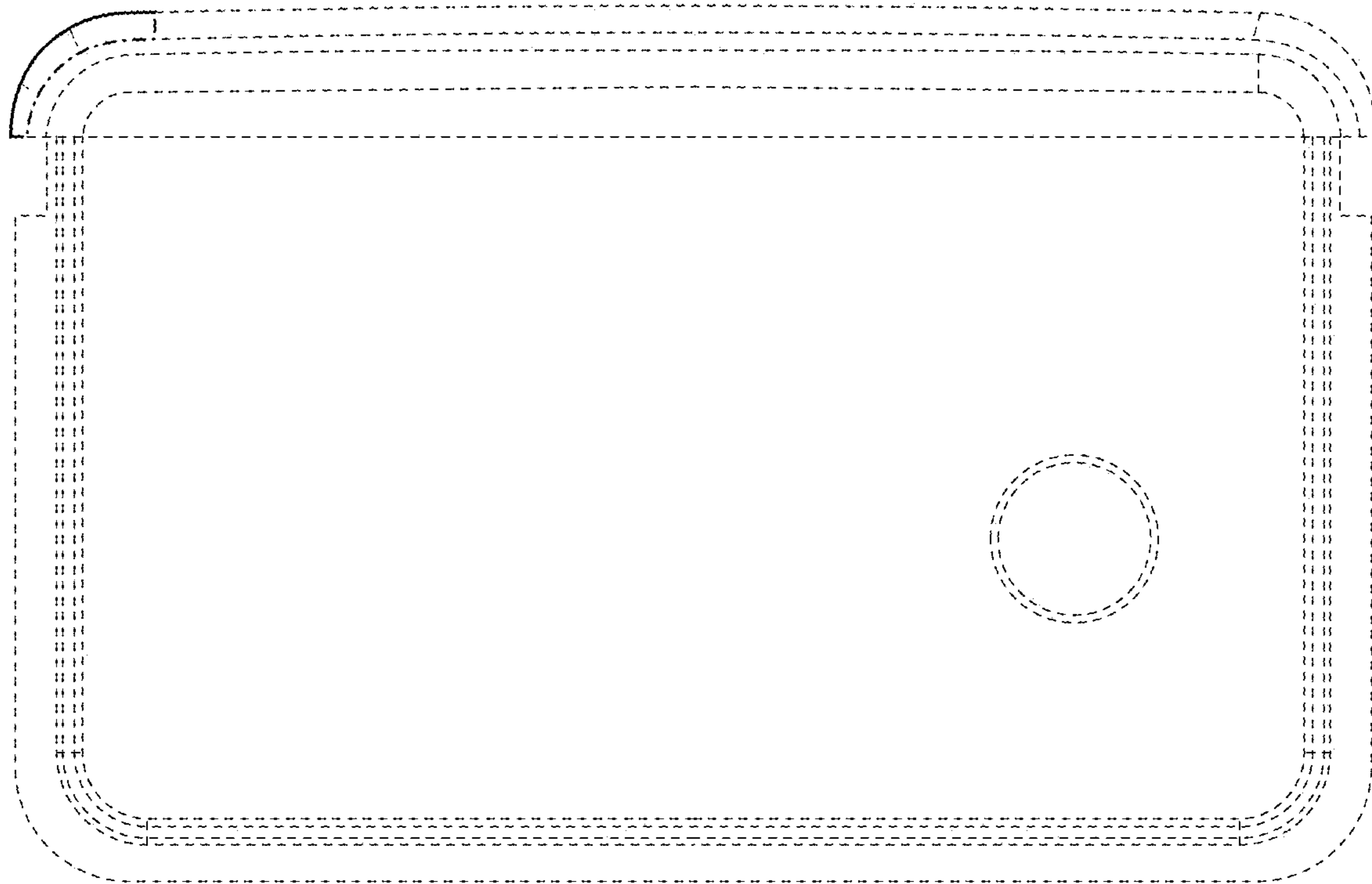


FIG. 7