



US00D940838S

(12) **United States Design Patent**
Sang

(10) **Patent No.: US D940,838 S**

(45) **Date of Patent: ** Jan. 11, 2022**

(54) **STRAINER FOR SEED CLEANING**

(71) Applicant: **Xinglei Sang**, Anhui (CN)

(72) Inventor: **Xinglei Sang**, Anhui (CN)

(**) Term: **15 Years**

(21) Appl. No.: **29/736,276**

(22) Filed: **May 29, 2020**

(51) **LOC (13) Cl. 23-01**

(52) **U.S. Cl.**

USPC **D23/261**; D9/436

(58) **Field of Classification Search**

USPC D23/259–261, 206, 208–209, 365;
D7/369, 400, 667, 300.1; 4/286–295,
4/688–689, 679; 220/257.1–257.2,
220/789–791, DIG. 19; 210/162–166,
210/499, 464, 482; 137/247.33, 545–547;
D9/435–436, 447; D27/194; D30/128,
D30/132; D8/2; 47/14, 61
CPC E04H 4/1272; E03C 1/12; A01G 3/02;
B65D 43/0231

See application file for complete search history.

(56) **References Cited**

U.S. PATENT DOCUMENTS

D185,399 S * 6/1959 Tupper D7/667
D263,269 S * 3/1982 Strathman D27/194
D348,924 S * 7/1994 Merrett D23/261
D360,929 S * 8/1995 Albertson D23/200
D439,962 S * 4/2001 Gieseke D23/365
D552,308 S * 10/2007 Farr D30/161
7,513,466 B1 * 4/2009 Daily A46B 17/02
248/110
D854,929 S * 7/2019 Bacher A01G 9/0293
D9/436

D874,617 S * 2/2020 Chen D23/261
D885,891 S * 6/2020 Bacher A01G 9/0293
D9/436
D893,682 S * 8/2020 McDanal D23/261
D903,490 S * 12/2020 Bacher A01G 31/02
D9/436
2019/0008105 A1 * 1/2019 Bacher B65D 51/24

OTHER PUBLICATIONS

Masontops Bean Screen Plastic Mason Jar Sprouting Lids for Wide Mouth Mason Jars, 2 Pk; Amazon First Available Date Dec. 17, 2017; Visited Online Sep. 21, 2021; https://www.amazon.com/Masontops-Screen-Plastic-Mason-Sprouting/dp/B07899HNQM/ref=asc_df_B07899HNQM/?tag=hyprod-20&linkCode=df0&hvadid=241911407998&hvpos=&hvnetw=g&hvrnd=952233625479760525&hvpone=&hvptwo=&hvqmt=&hvdev=c&hvdvcmdl=&hvlocint=&hvlocphy=1027028&hvtargid=pla-403177025643&psc=1 (Year: 2017).*

* cited by examiner

Primary Examiner — Amy C Wierenga

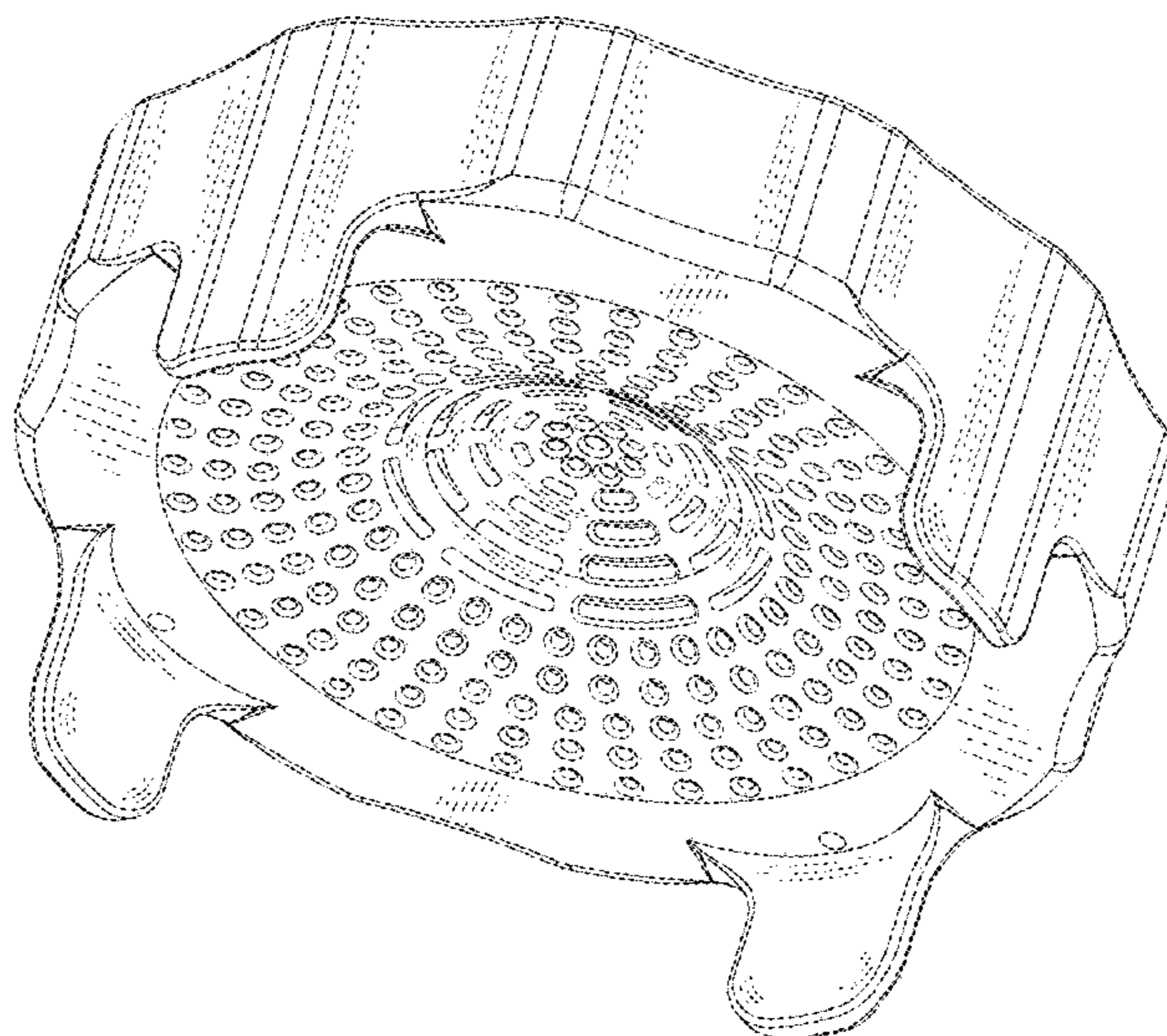
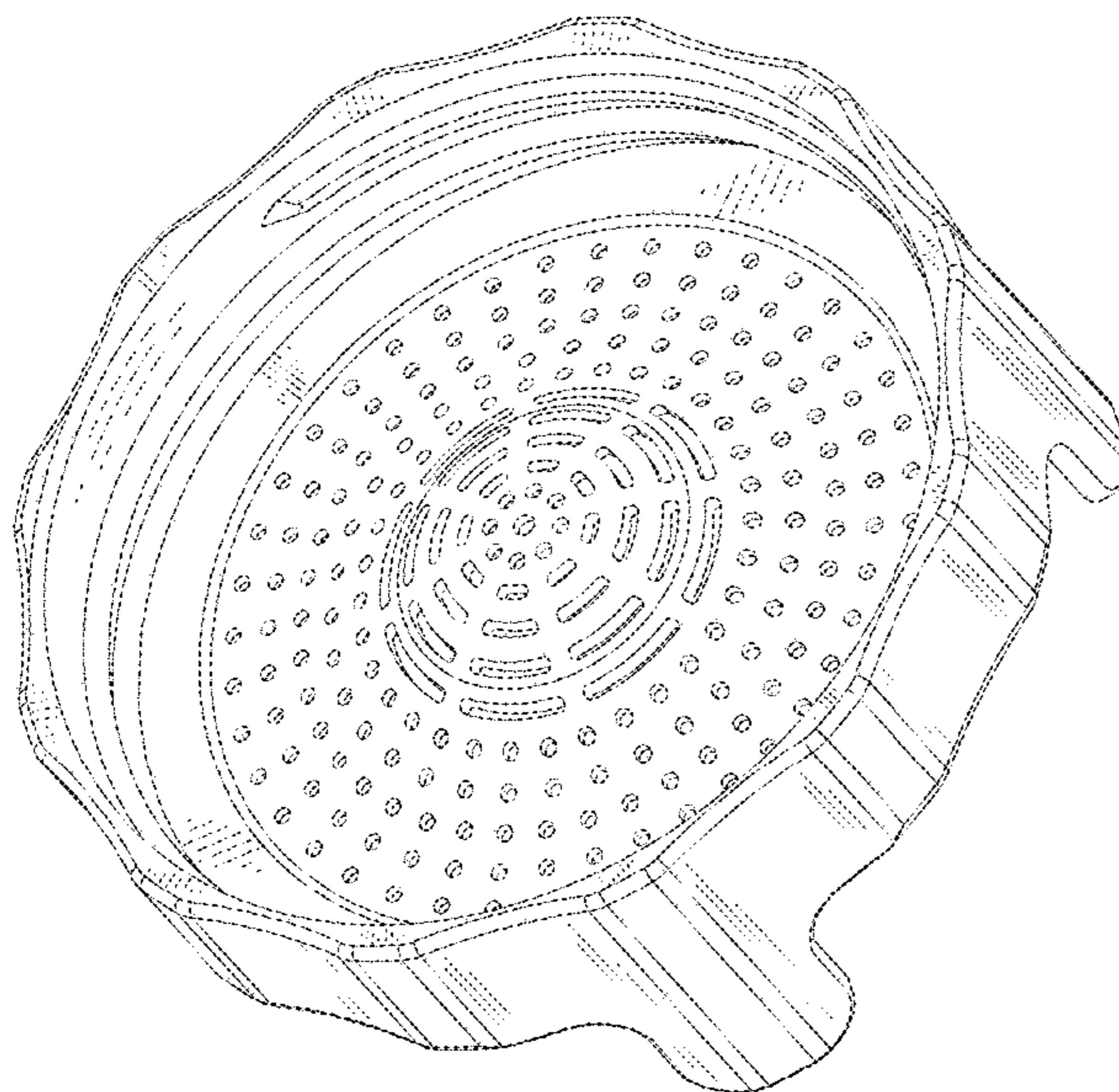
(57) **CLAIM**

The ornamental design for a strainer for seed cleaning, as shown and described.

DESCRIPTION

FIG. 1 is a top perspective view of a strainer for seed cleaning showing my new design; FIG. 2 is a bottom perspective view thereof; FIG. 3 is a front elevation view thereof; FIG. 4 is a rear elevation view thereof; FIG. 5 is a left side elevation view thereof; FIG. 6 is a right side elevation view thereof; FIG. 7 is a top plan view thereof; and, FIG. 8 is a bottom plan view thereof.

1 Claim, 8 Drawing Sheets



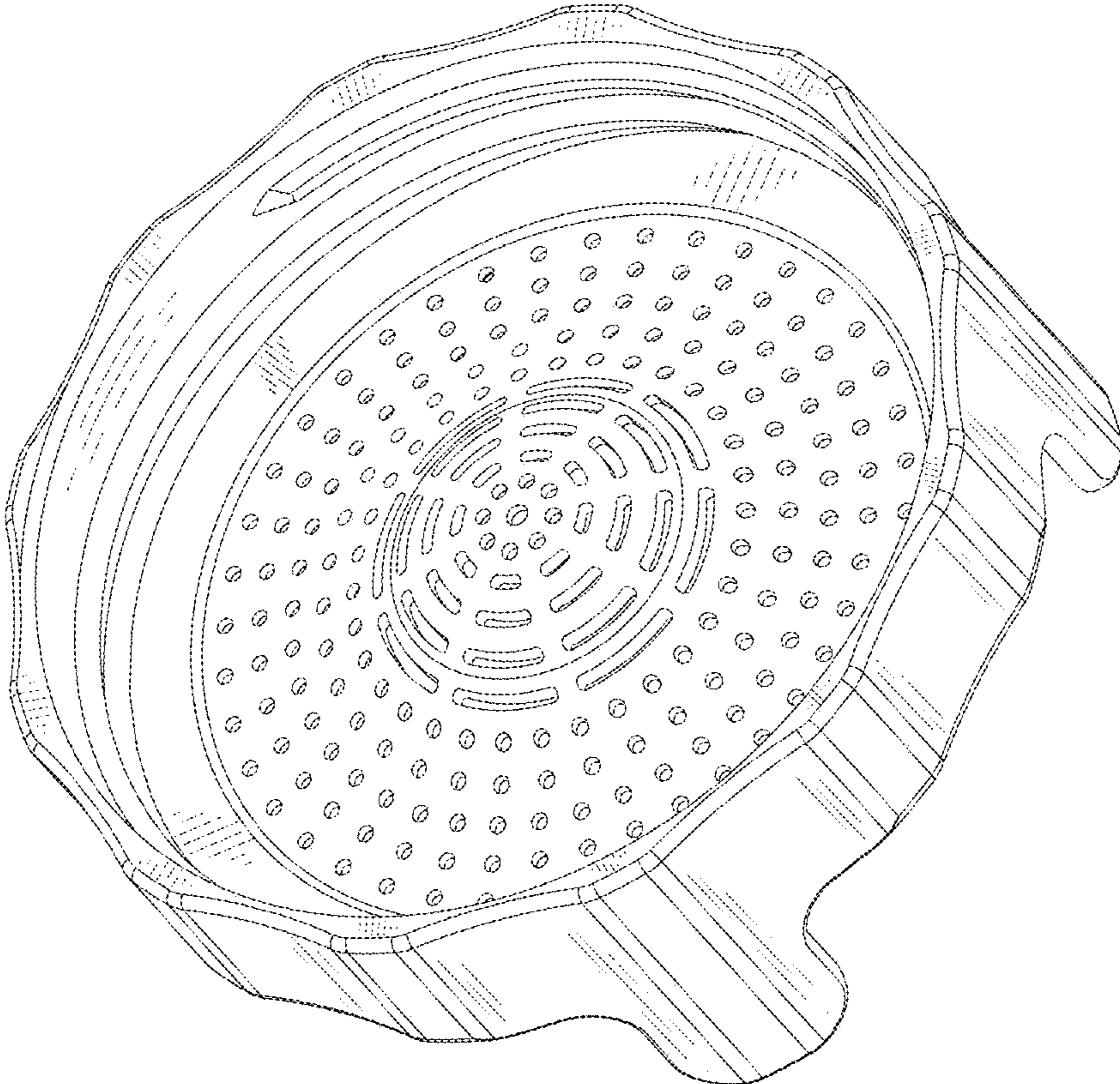


FIG.1

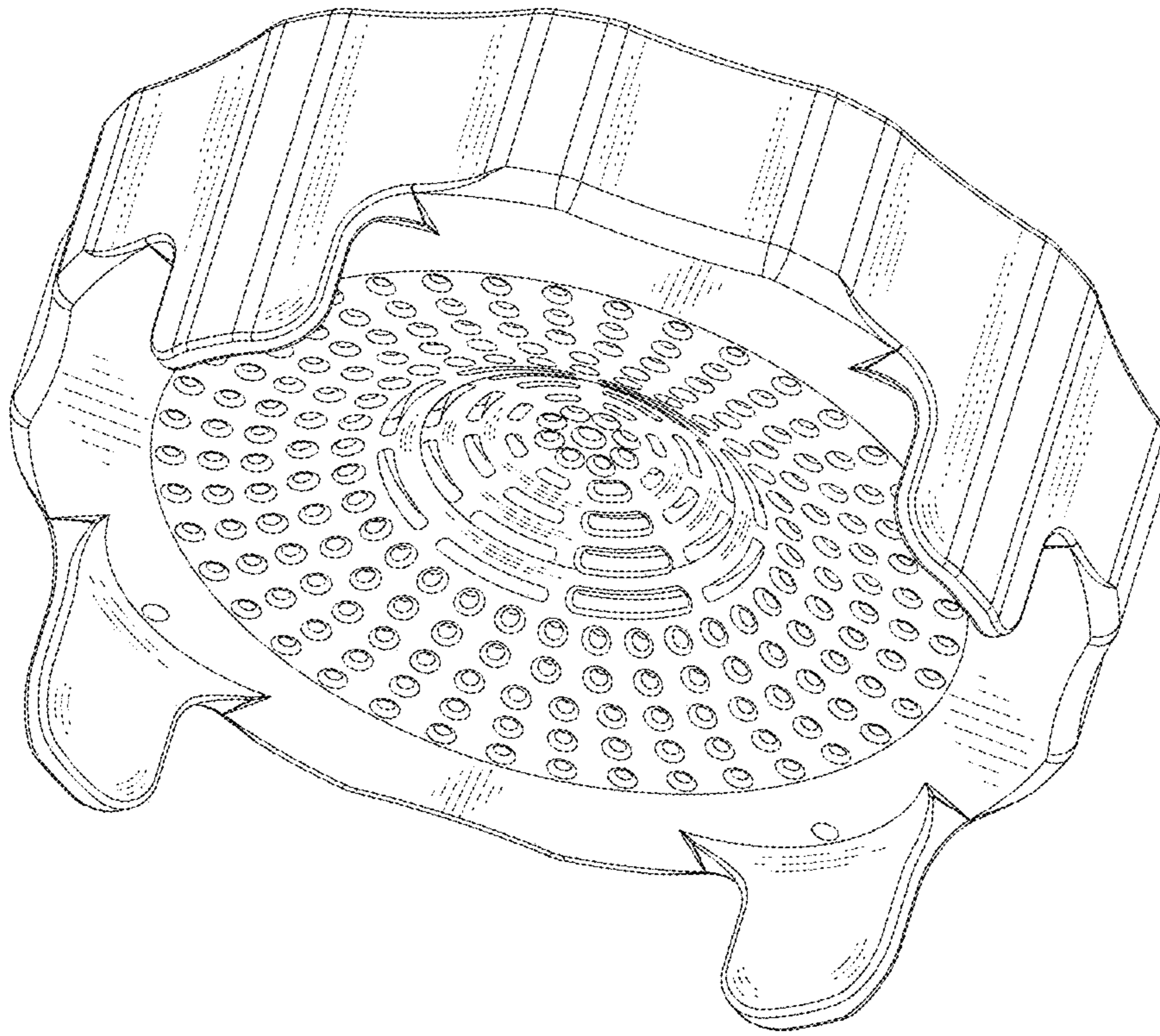


FIG.2

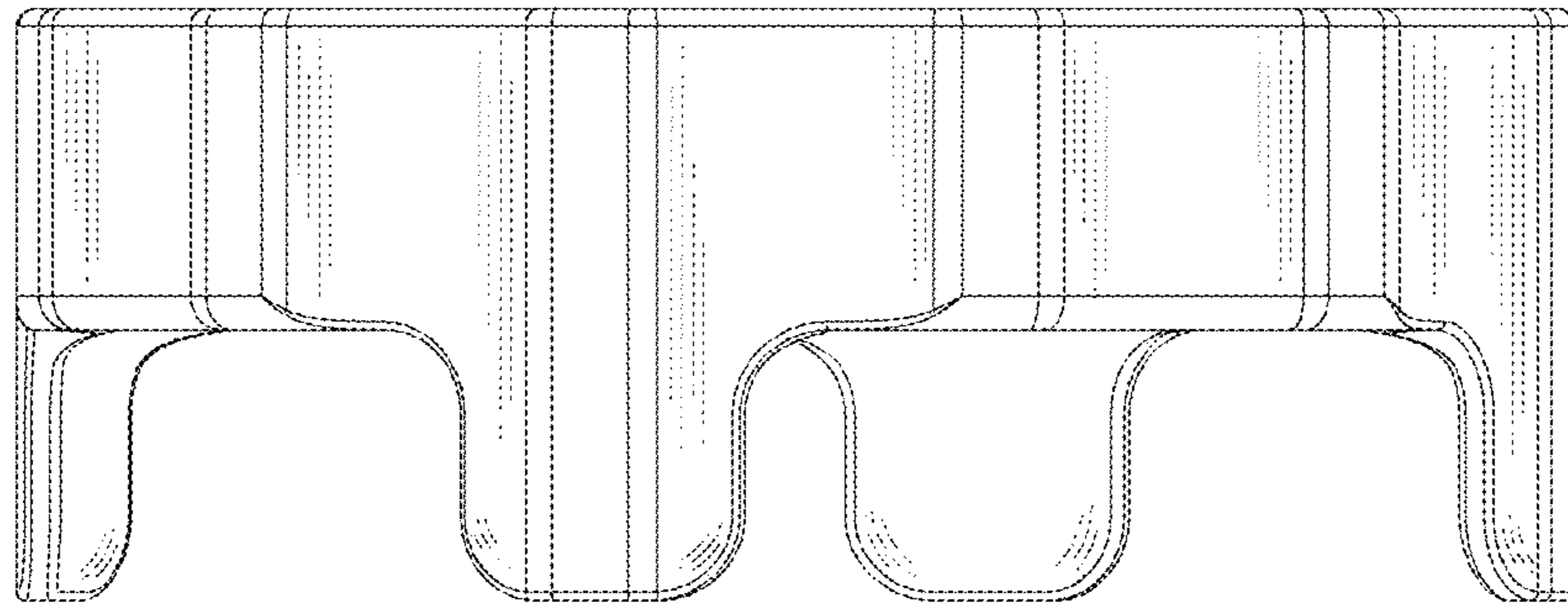


FIG.3

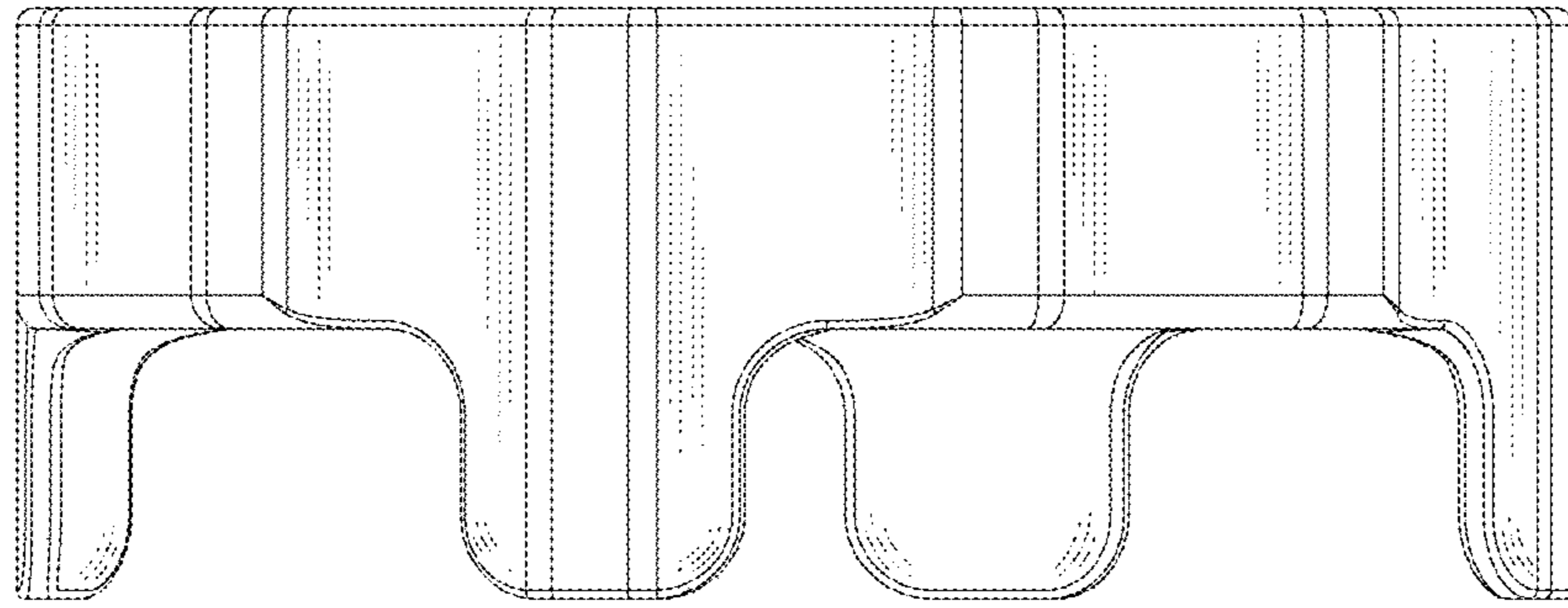


FIG.4

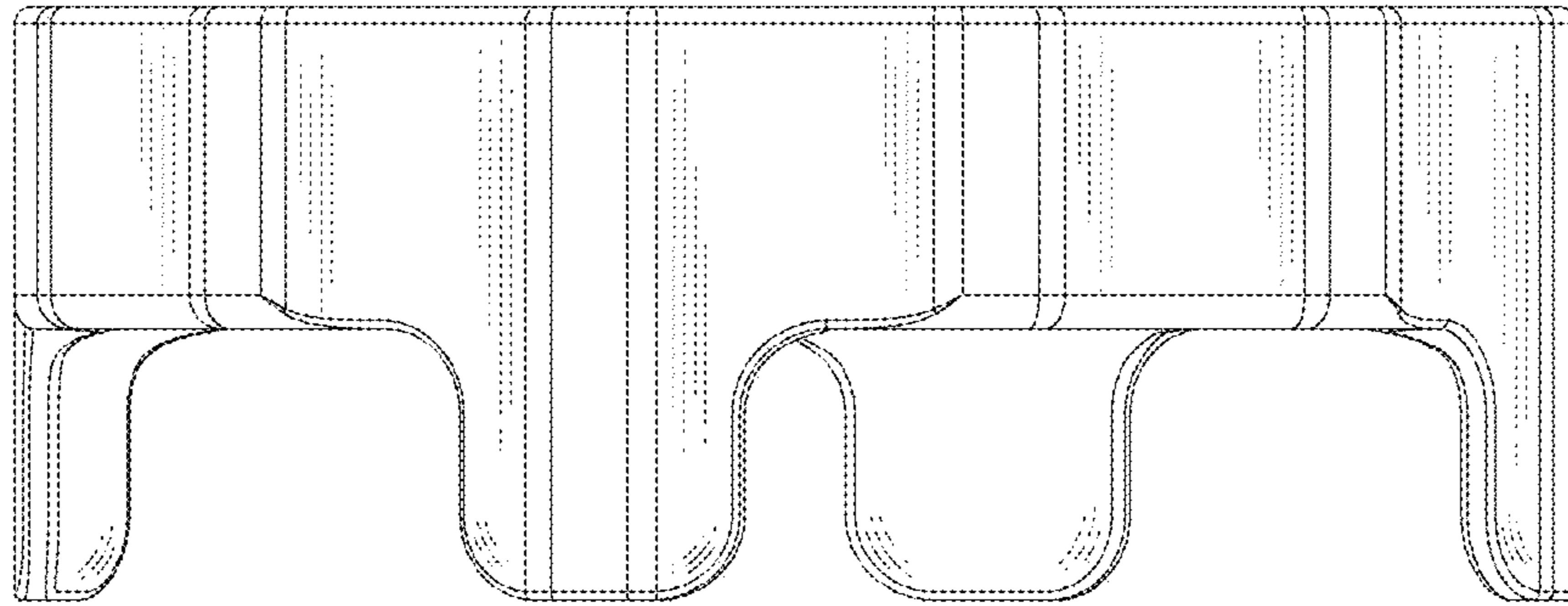


FIG.5

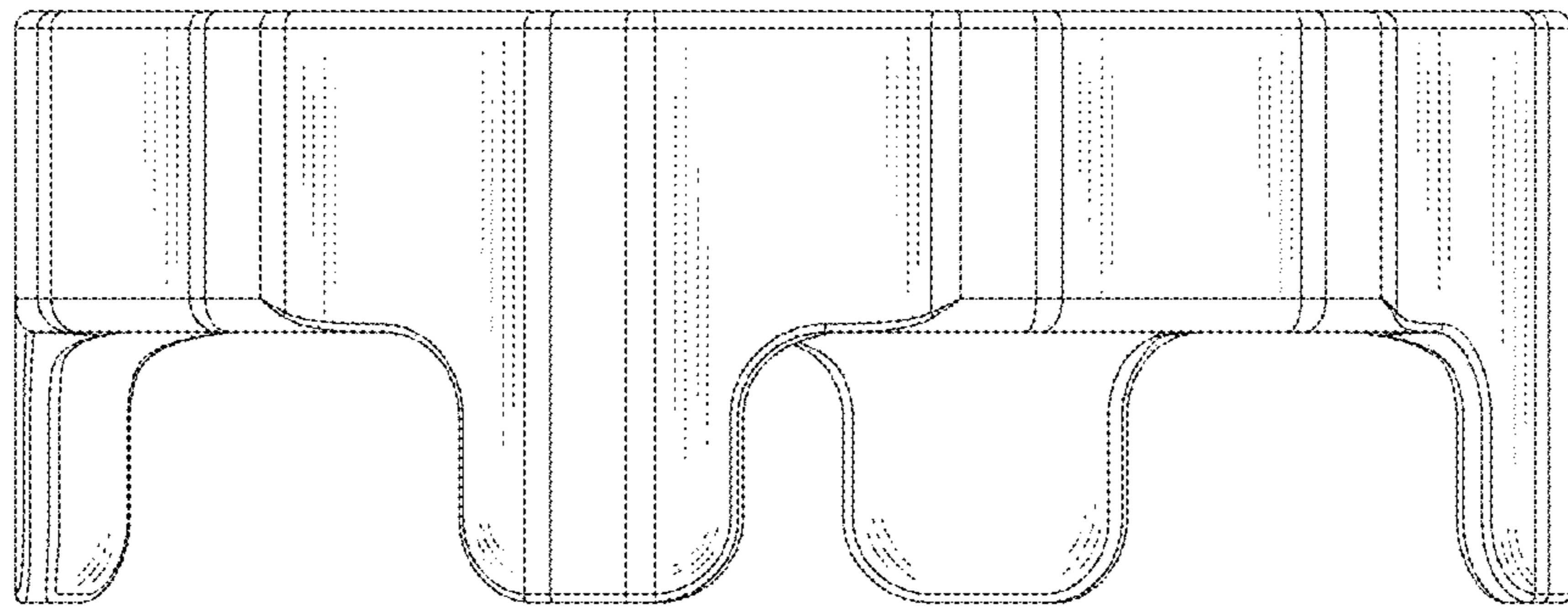


FIG.6

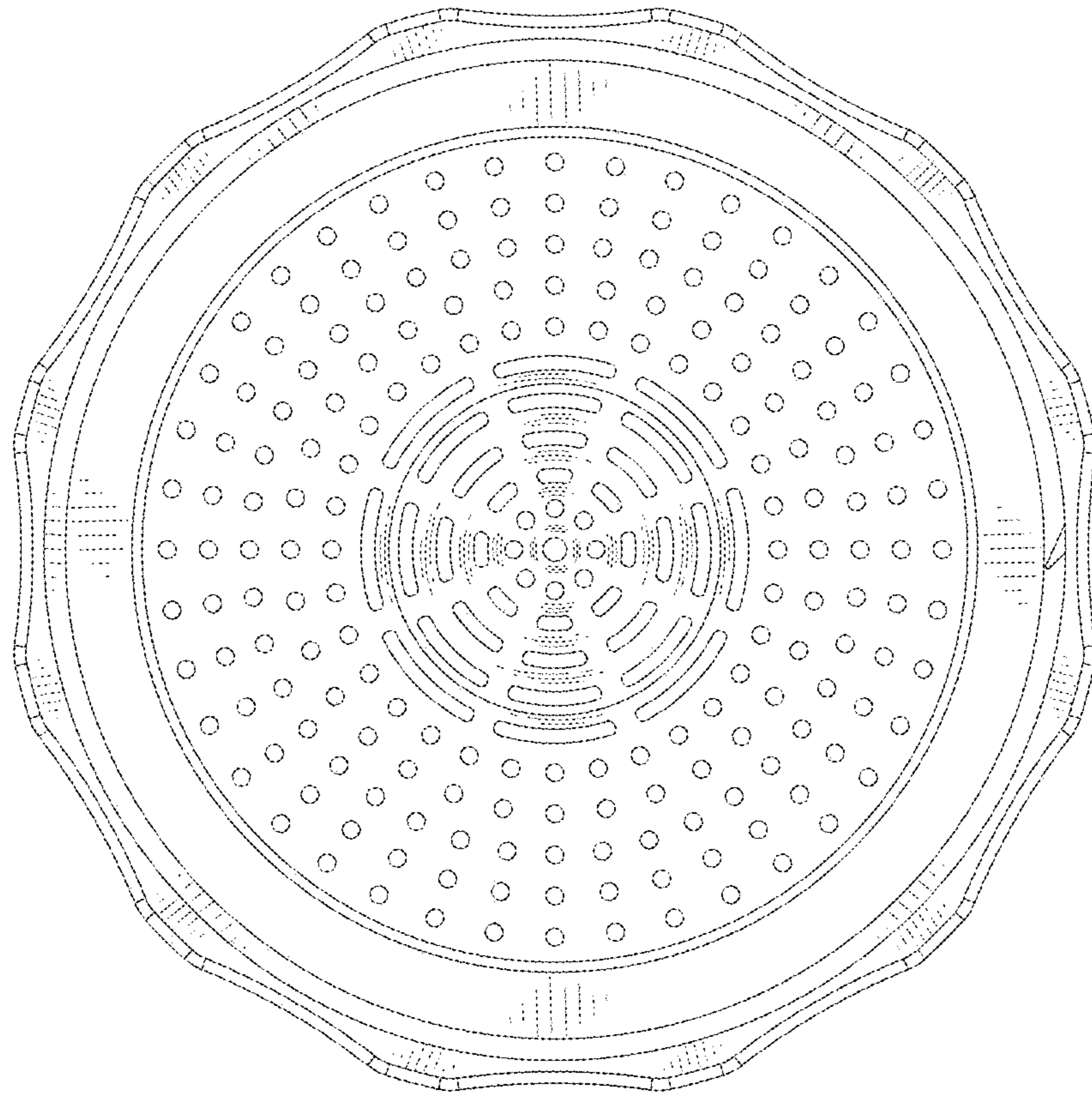


FIG. 7

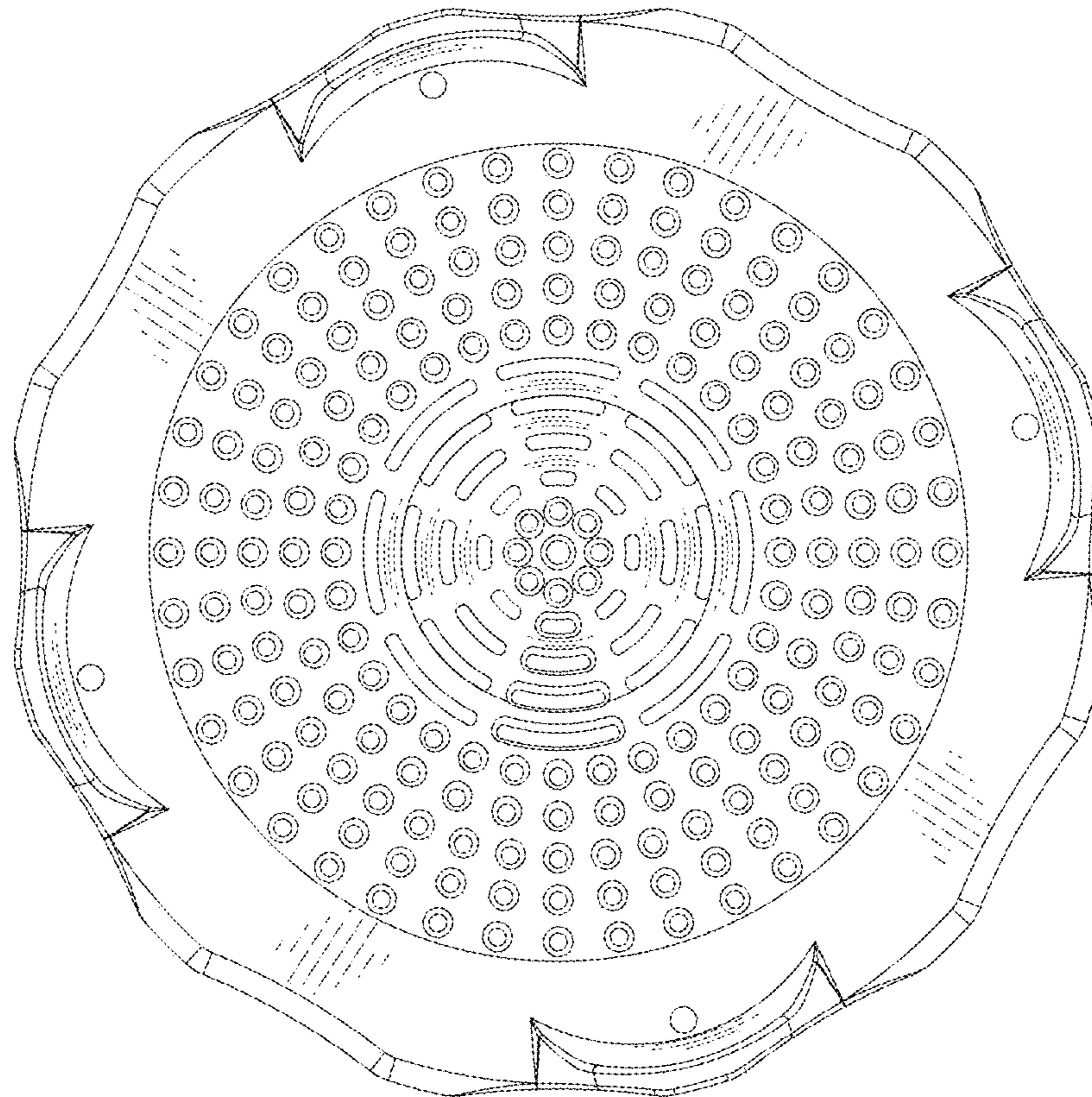


FIG. 8