



US00D940835S

(12) **United States Design Patent**
Kliewer et al.

(10) **Patent No.:** **US D940,835 S**
(45) **Date of Patent:** **** Jan. 11, 2022**

(54) **FORWARD TILTED FAUCET CONTROLS**

(71) Applicant: **Waterstone, LLC**, Murietta, CA (US)

(72) Inventors: **Steve Kliewer**, Whittier, CA (US);
Chris Kuran, Fallbrook, CA (US);
Oguz Mutluer, Temecula, CA (US);
Samuel McDaniels, Fallbrook, CA (US)

(73) Assignee: **WATERSTONE, LLC**, Murietta, CA (US)

(**) Term: **15 Years**

(21) Appl. No.: **29/727,468**

(22) Filed: **Mar. 11, 2020**

(51) **LOC (13) Cl.** **23-01**

(52) **U.S. Cl.**
USPC **D23/253**

(58) **Field of Classification Search**
USPC D23/238–243, 250, 252–254, 245, 249;
D8/307–308

See application file for complete search history.

(56) **References Cited**

U.S. PATENT DOCUMENTS

D862,662 S * 10/2019 Kulig D23/253
D888,897 S * 6/2020 Soulier D23/253
D912,780 S * 3/2021 Levi D23/242

* cited by examiner

Primary Examiner — Robert A Delehanty

(74) *Attorney, Agent, or Firm* — Myers Andras LLP;
Joseph C. Andras

(57) **CLAIM**

The ornamental design for forward tilted faucet controls, as shown and described.

DESCRIPTION

FIG. 1 is a front perspective view of the forward tilted faucet controls according to my design, the brackets indicating that the precise spacing between the illustrated elements is not claimed;

FIG. 2 is a rear perspective view of the forward tilted faucet controls;

FIG. 3 is a front elevational view of the forward tilted faucet controls;

FIG. 4 is a top plan view of the forward tilted faucet controls;

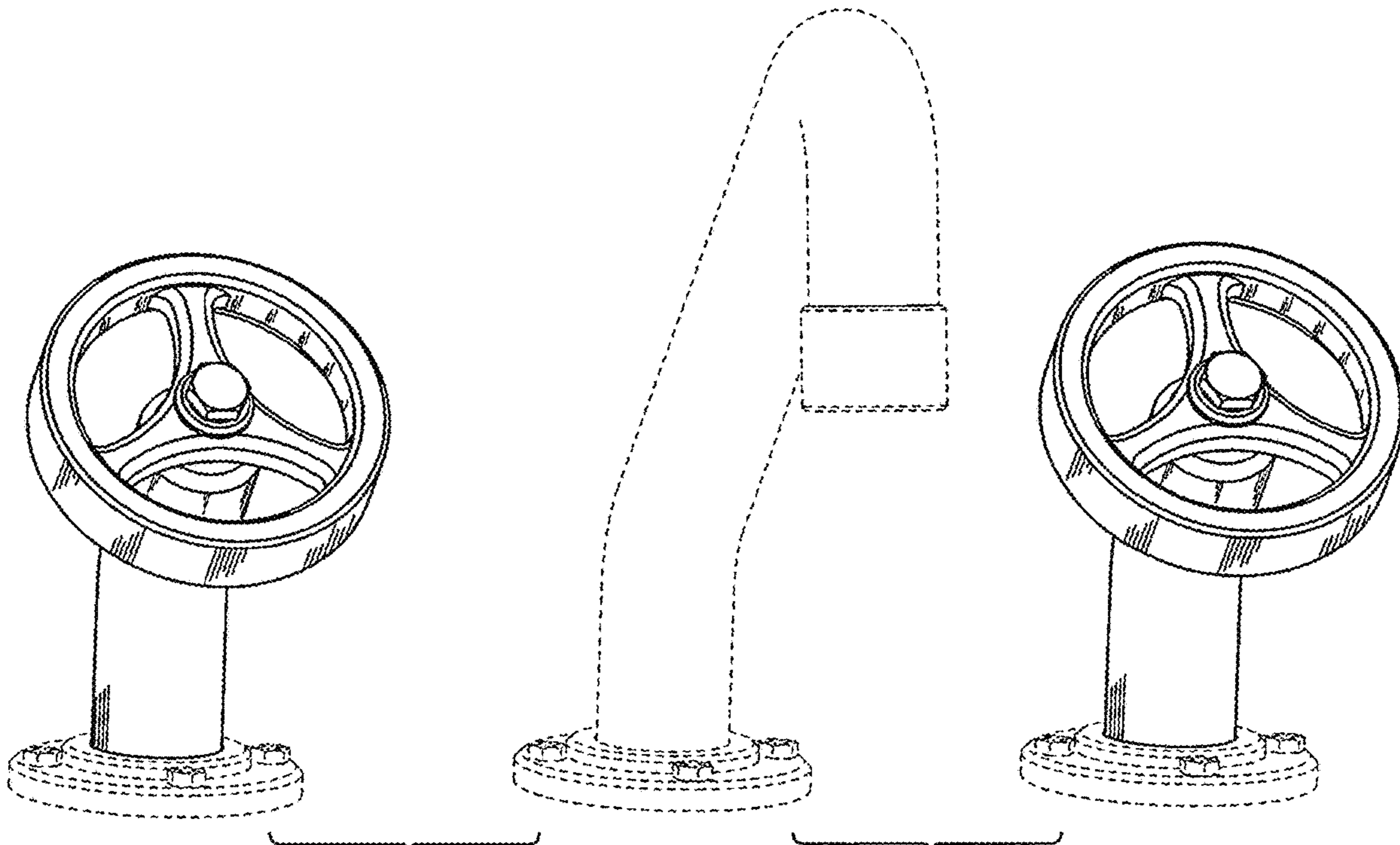
FIG. 5 is a bottom plan view of the forward tilted faucet controls;

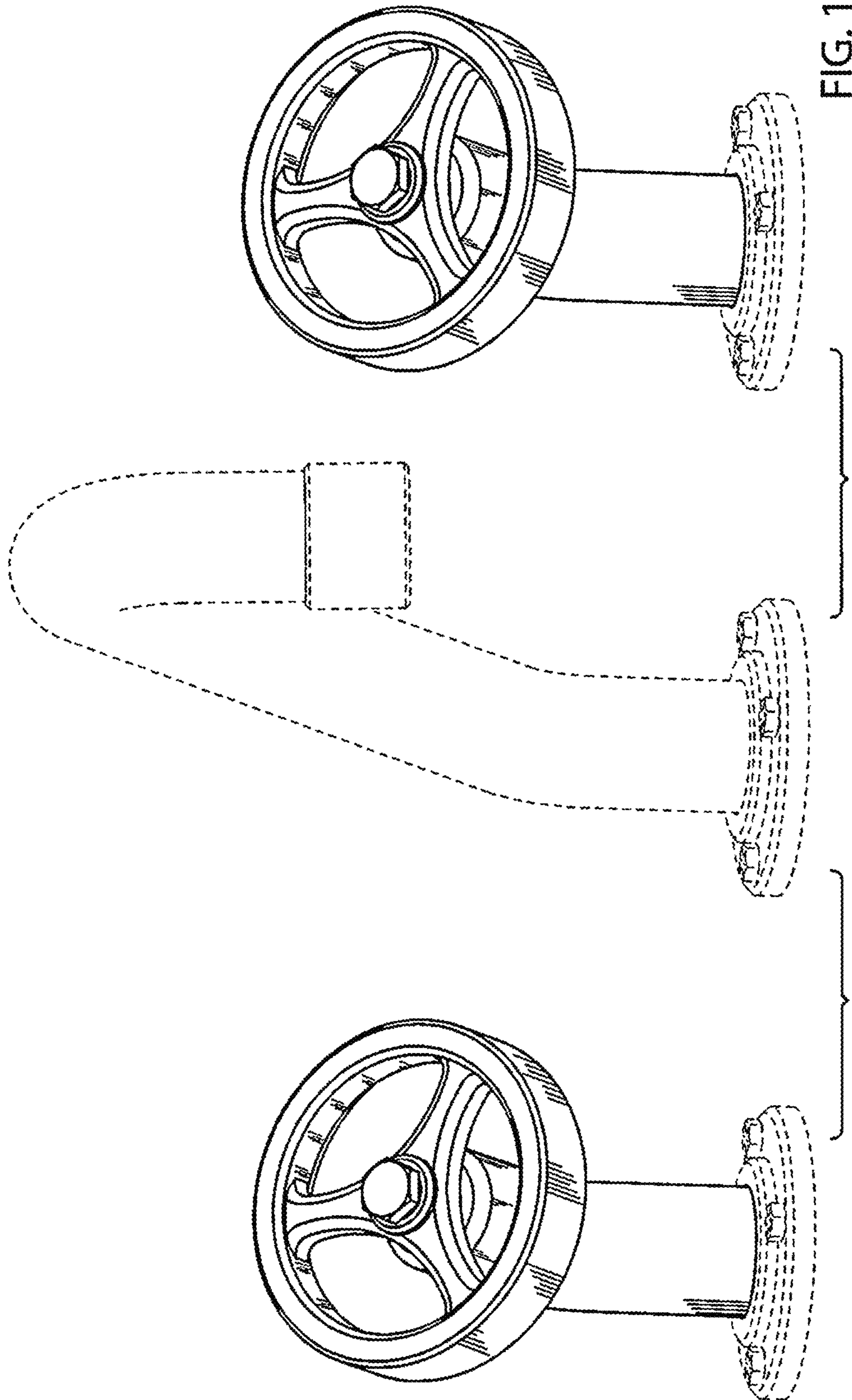
FIG. 6 is a left elevational view of the forward tilted faucet controls, the right side view being a mirror image thereof; and,

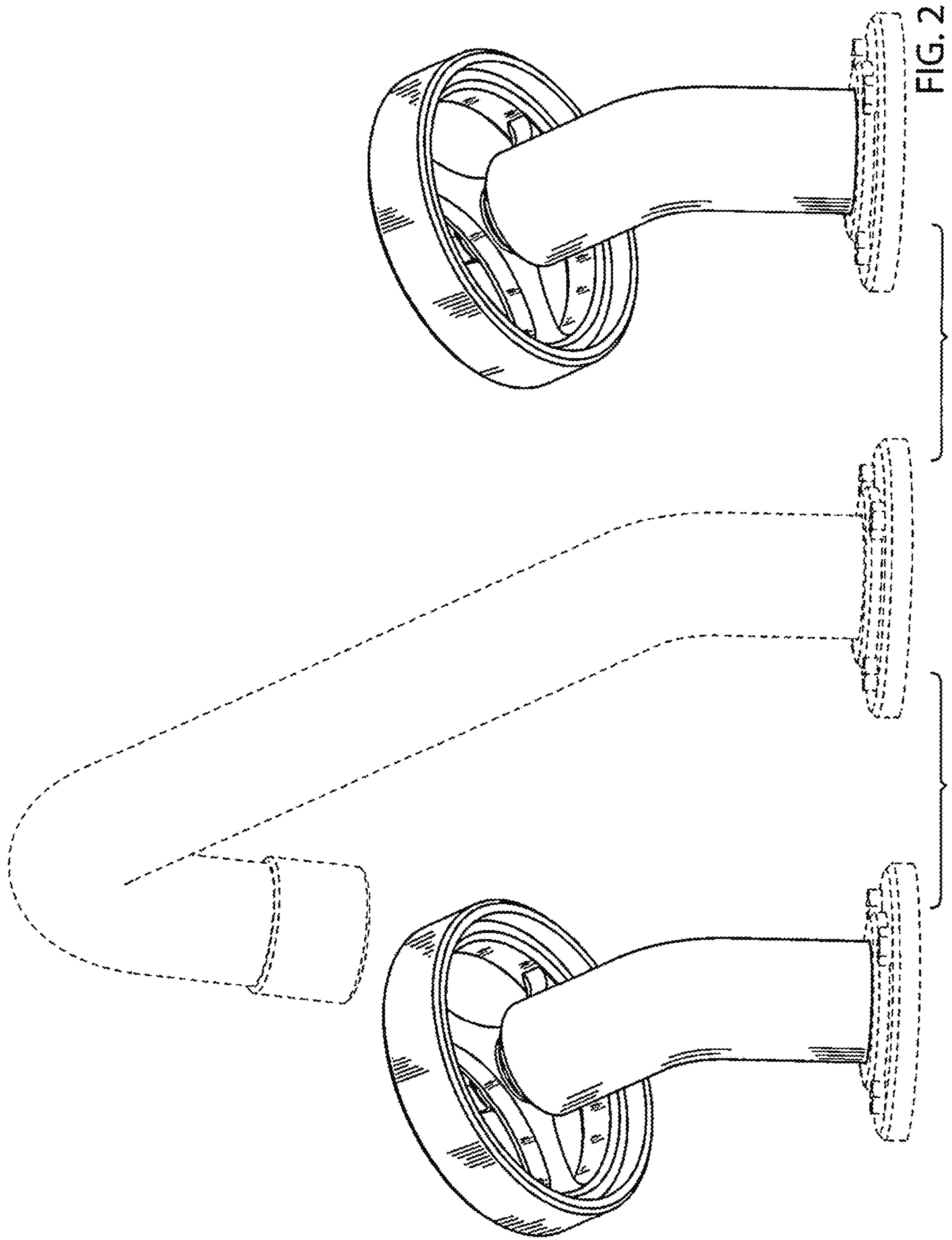
FIG. 7 is a rear elevational view of the forward tilted faucet controls.

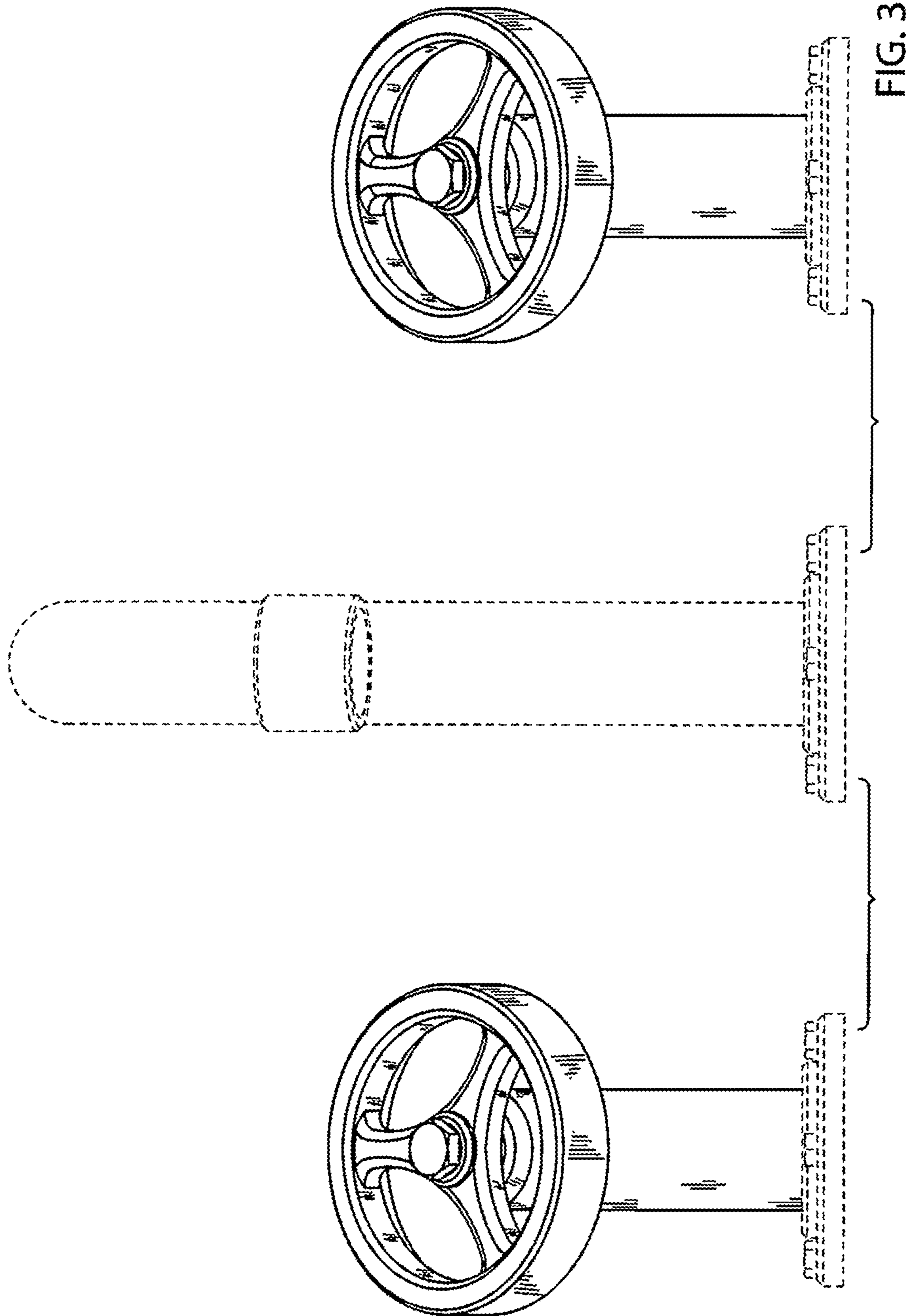
The central faucet spout and mounting flanges are shown in broken lines for illustrative purposes only and form no part of the claimed design.

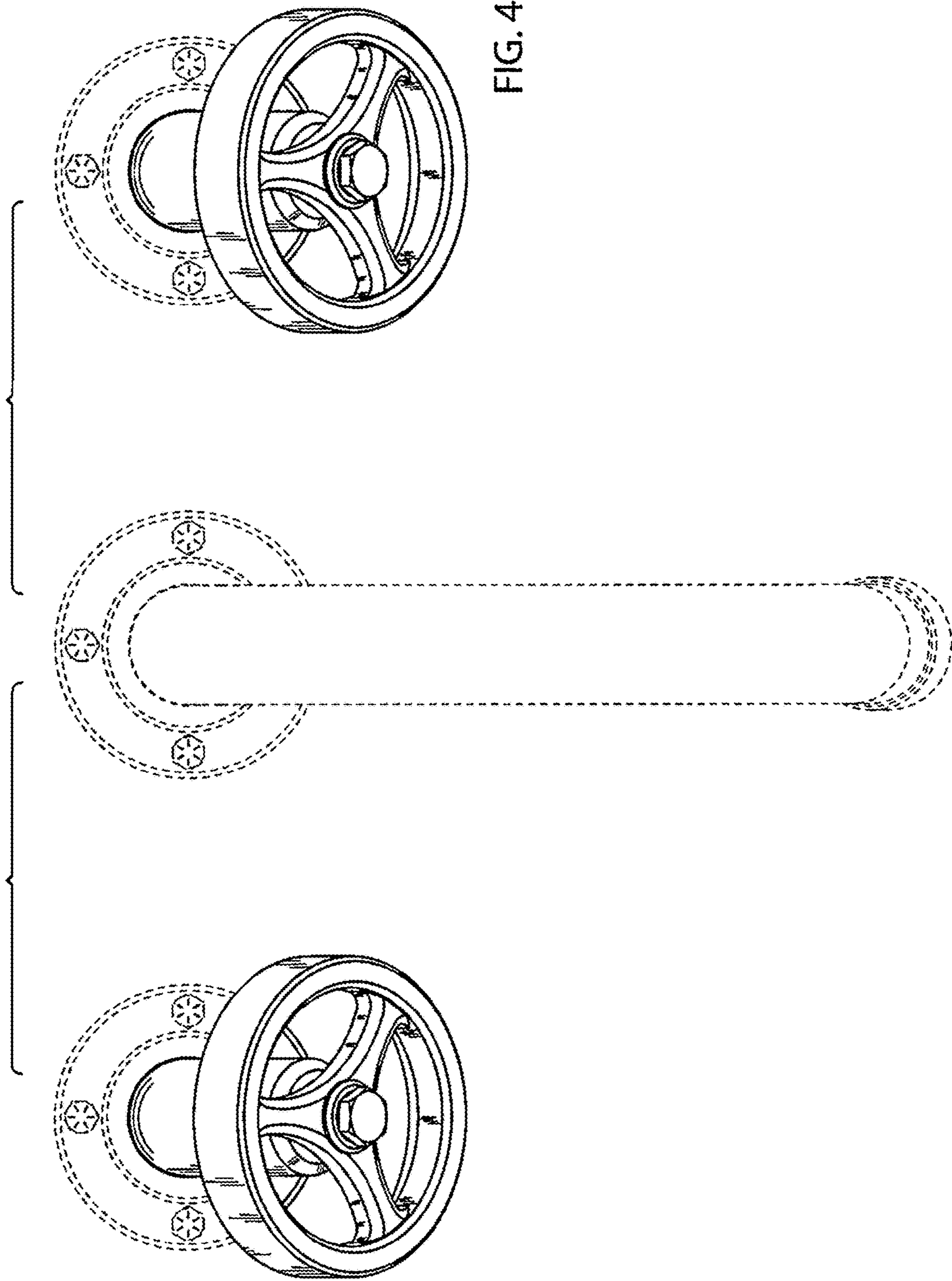
1 Claim, 7 Drawing Sheets











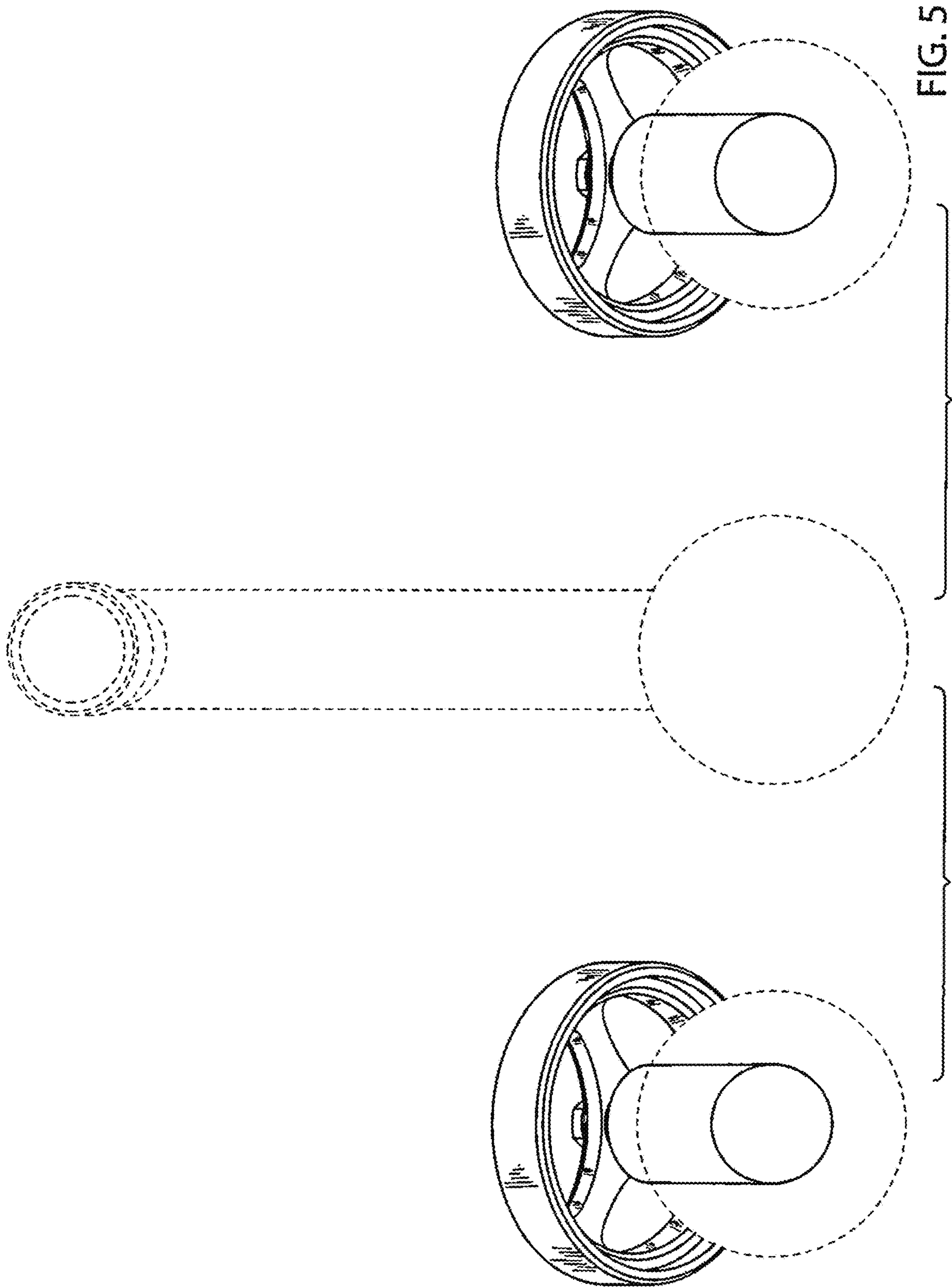


FIG. 6

