



US00D940832S

(12) **United States Design Patent**
Qi

(10) **Patent No.:** **US D940,832 S**

(45) **Date of Patent:** **** Jan. 11, 2022**

(54) **FAUCET HANDLE**

(71) Applicant: **Jing Qi**, Kaiping (CN)

(72) Inventor: **Jing Qi**, Kaiping (CN)

(**) Term: **15 Years**

(21) Appl. No.: **29/693,407**

(22) Filed: **Jun. 3, 2019**

(51) **LOC (13) Cl.** **23-01**

(52) **U.S. Cl.**
USPC **D23/252**

(58) **Field of Classification Search**
USPC D23/238-243, 250, 252, 254
CPC E03C 1/042
See application file for complete search history.

(56) **References Cited**

U.S. PATENT DOCUMENTS

D523,119 S *	6/2006	Fritz	D23/252
D523,121 S *	6/2006	Schaffeld	D23/252
D686,705 S *	7/2013	Fritz	D23/252
D912,778 S *	3/2021	Huang	D23/238
2018/0195711 A1 *	7/2018	Schneider, II	E03C 1/0401

* cited by examiner

Primary Examiner — Robert A Delehanty

(74) *Attorney, Agent, or Firm* — Rumi Ranjit Kanakia

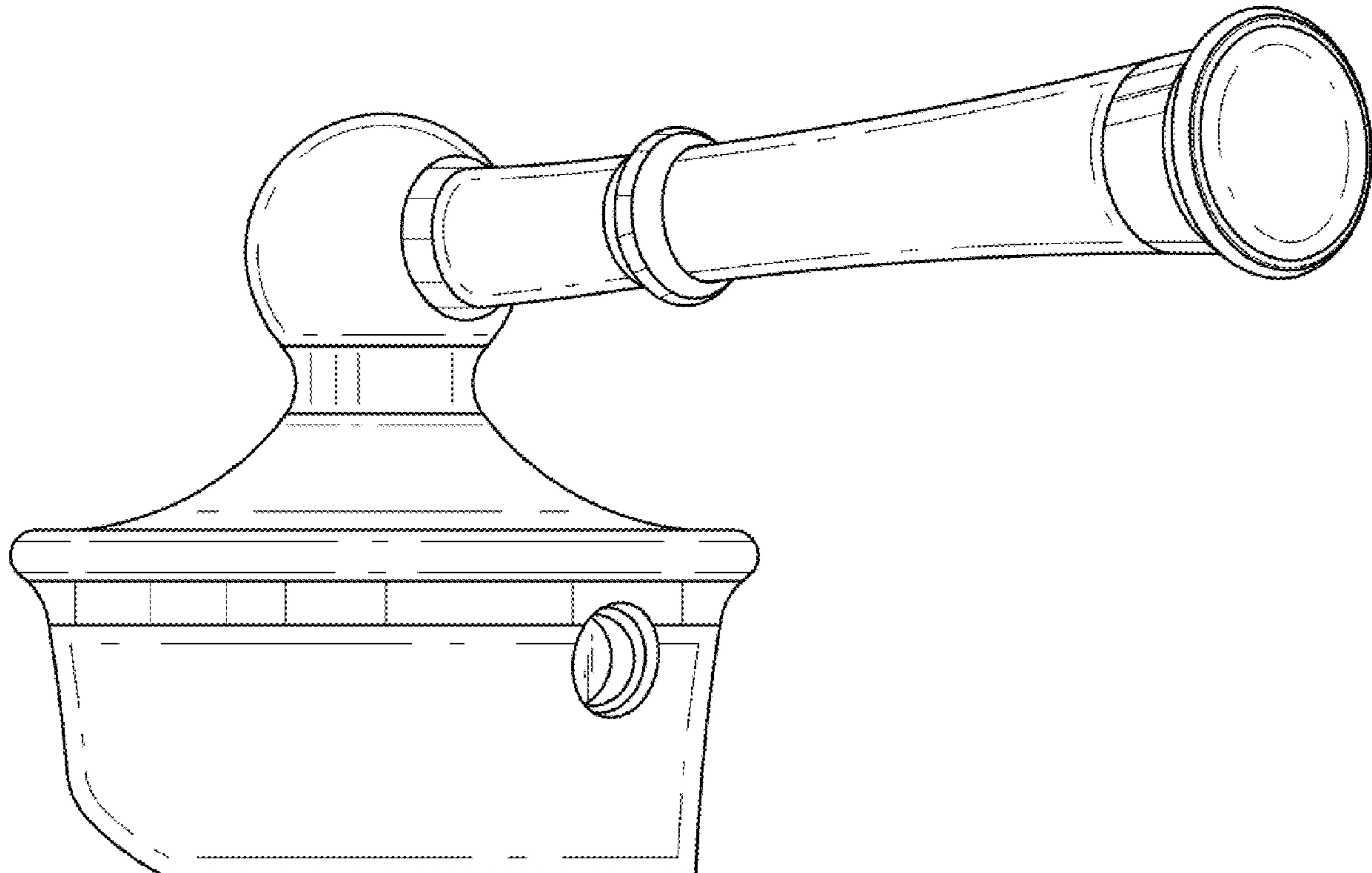
(57) **CLAIM**

I claim the ornamental design for a faucet handle, as shown and described.

DESCRIPTION

FIG. 1 is a Perspective view of a faucet handle showing my new design;
 FIG. 2 is a Front view of the faucet handle as shown in FIG. 1;
 FIG. 3 is a Back view of the faucet handle as shown in FIG. 1;
 FIG. 4 is a Left-side view of the faucet handle as shown in FIG. 1;
 FIG. 5 is a Right-side view of the faucet handle as shown in FIG. 1;
 FIG. 6 is a Top view of the faucet handle as shown in FIG. 1; and,
 FIG. 7 is a Bottom view of the faucet handle as shown in FIG. 1.
 The broken lines shown in the drawings represent unclaimed portions of the faucet handle and forms no part of the claimed design.

1 Claim, 5 Drawing Sheets



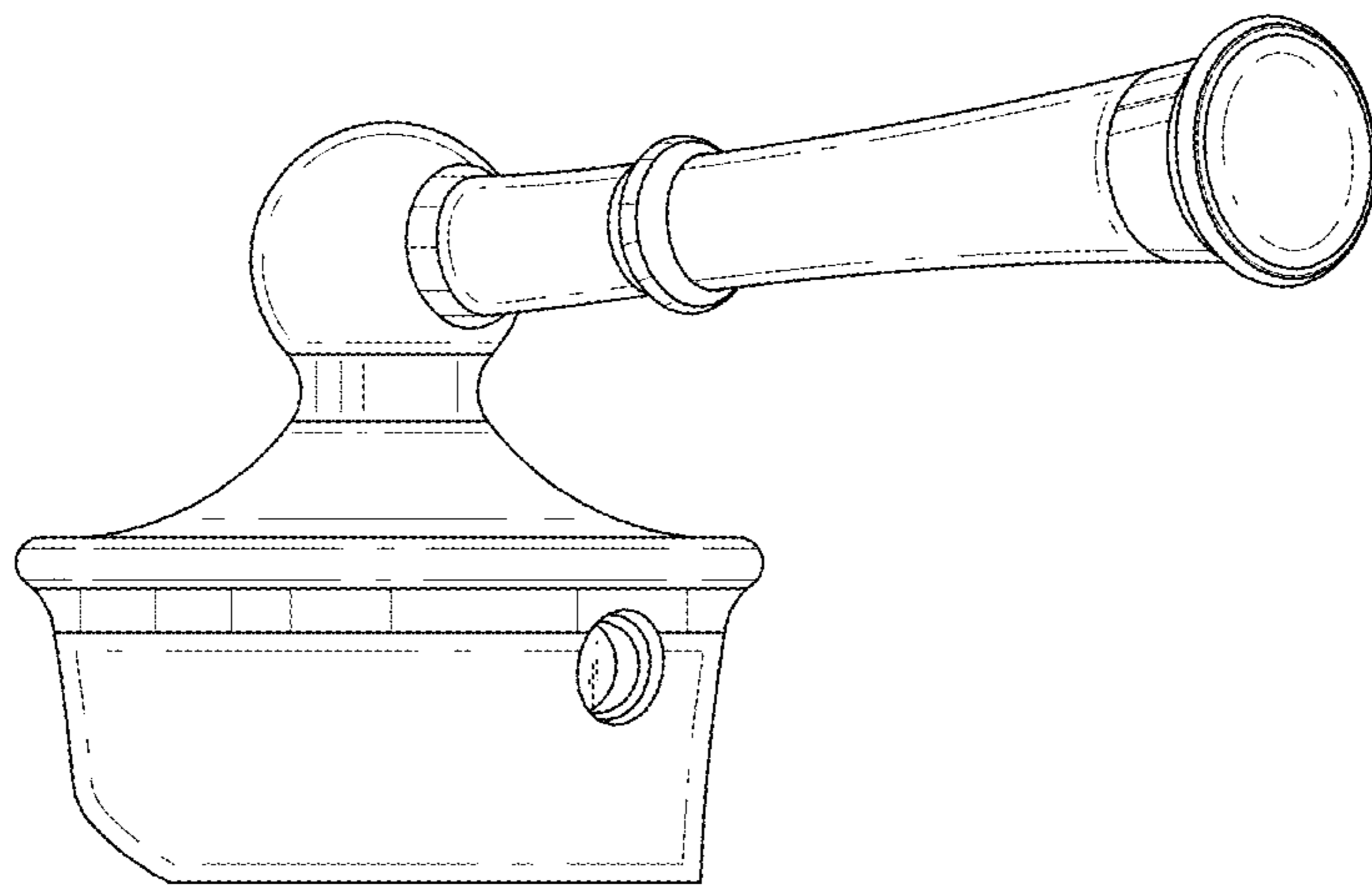


FIG. 1

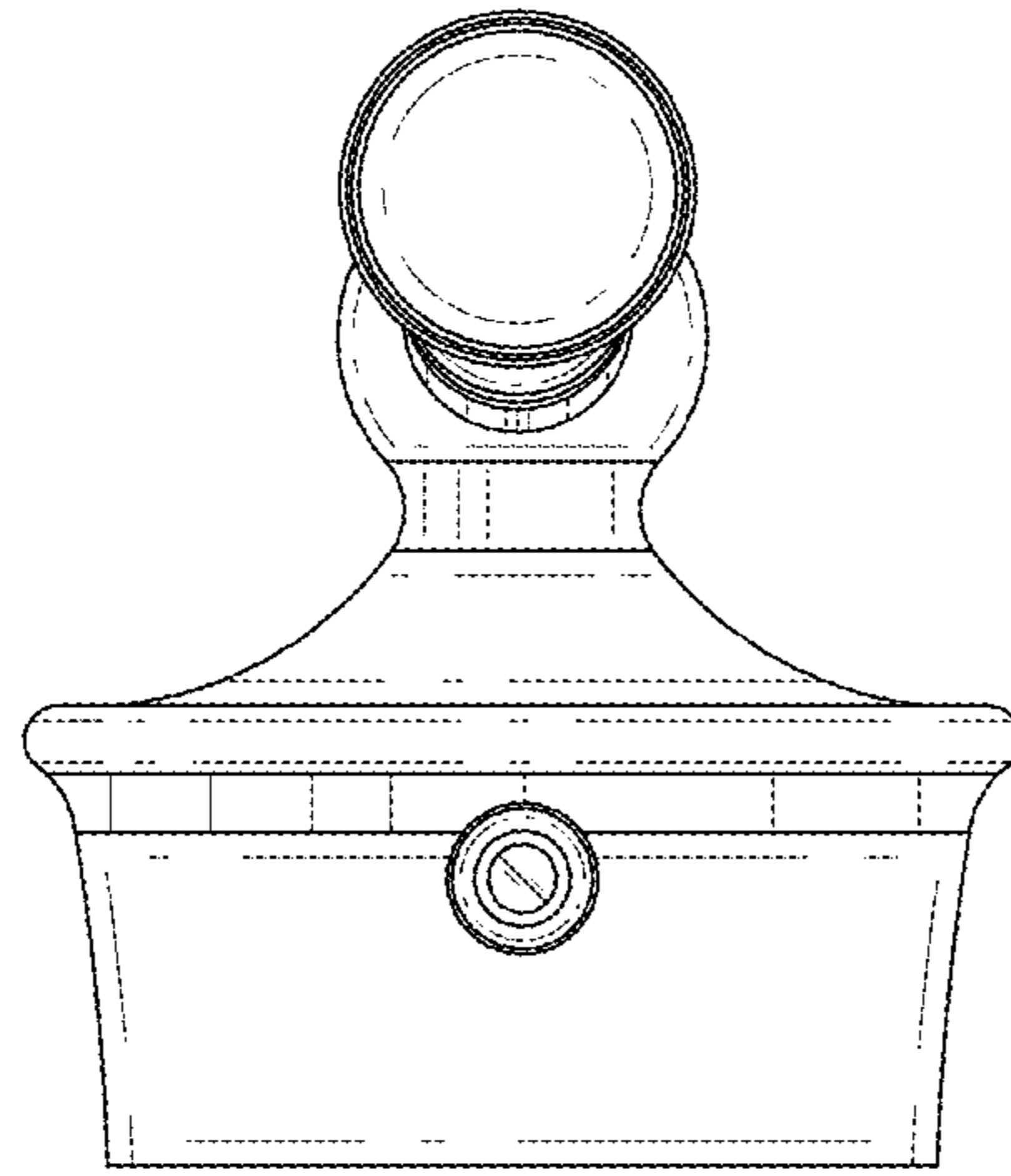


FIG. 2

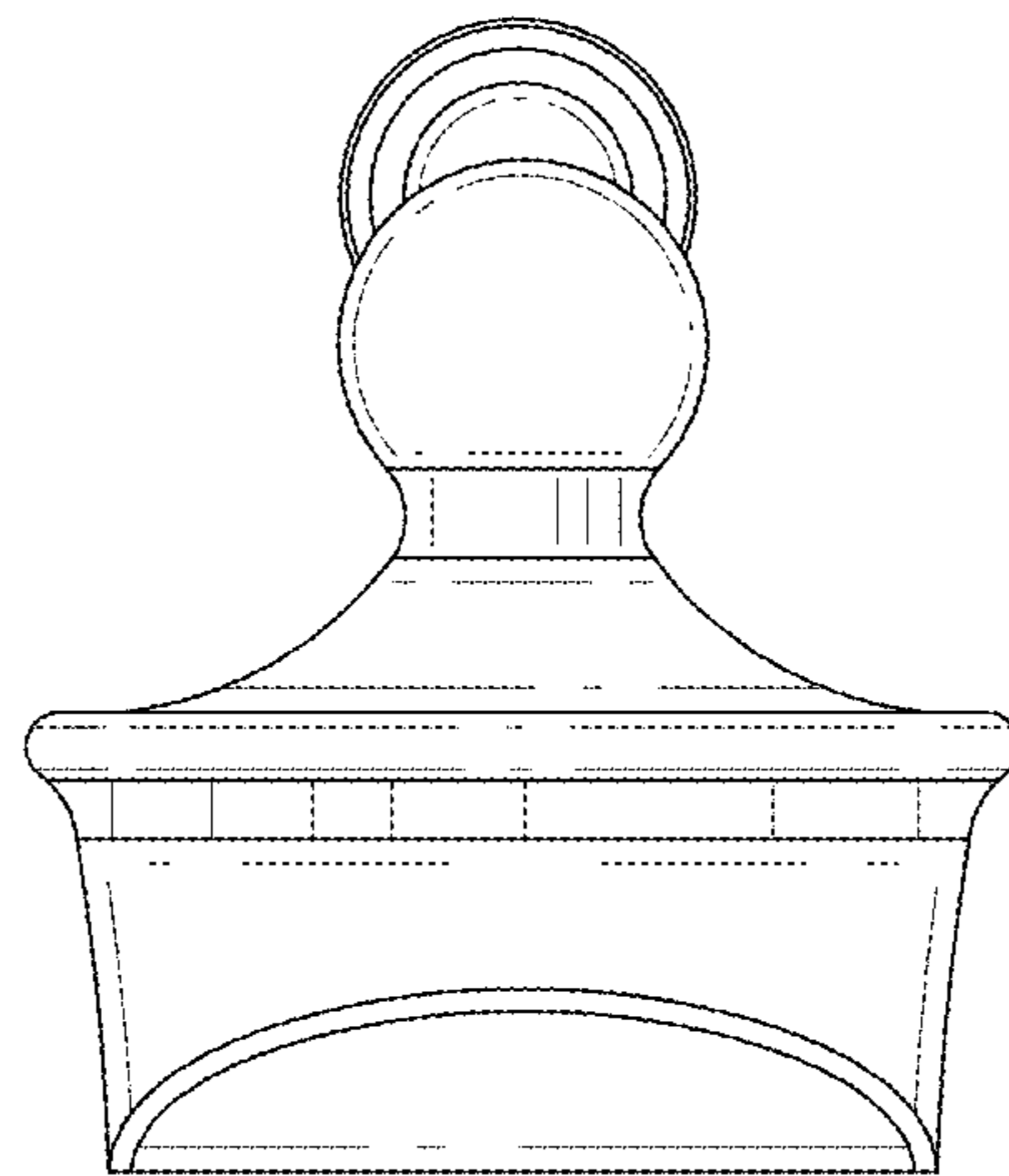


FIG. 3

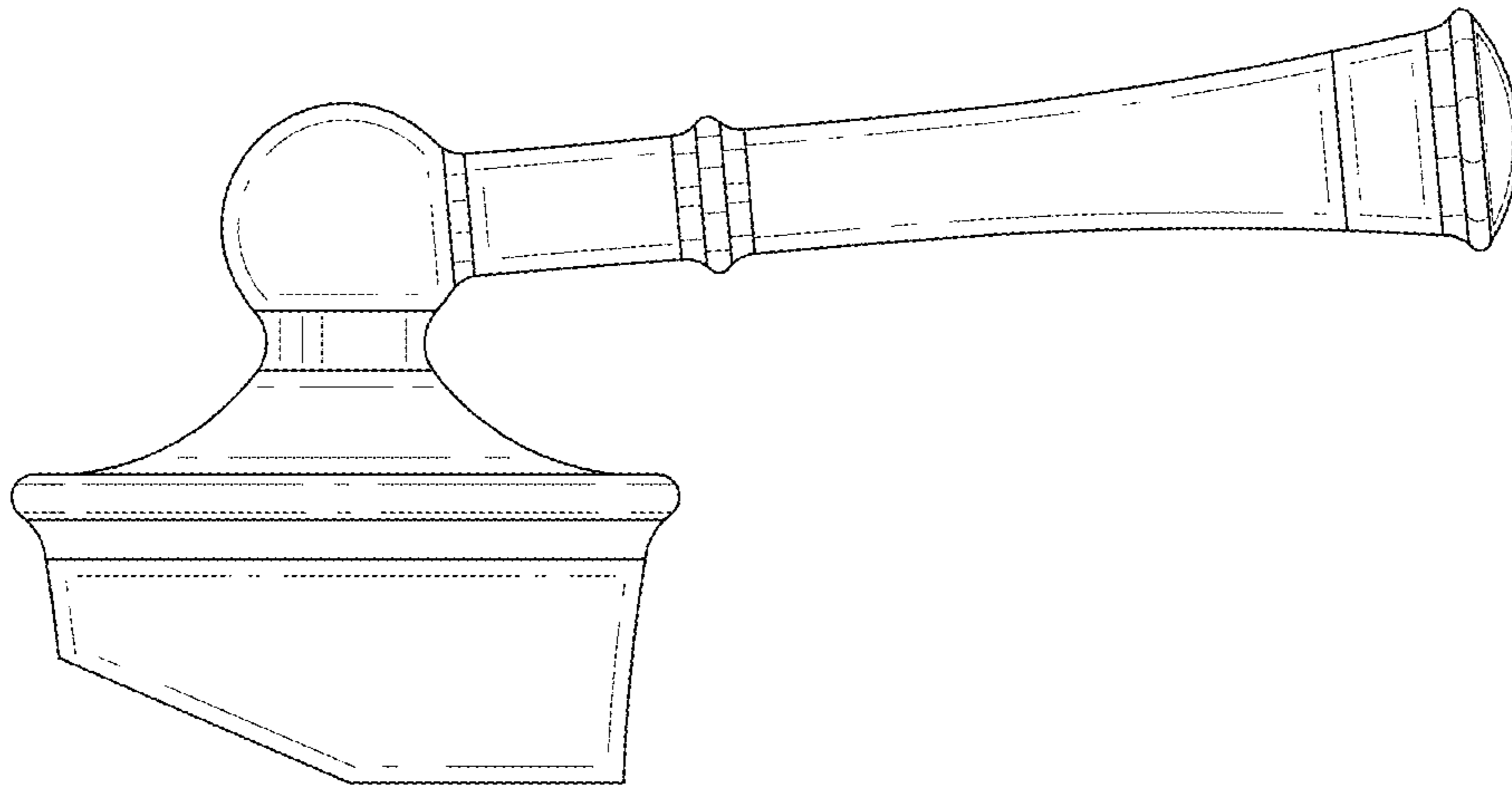


FIG. 4

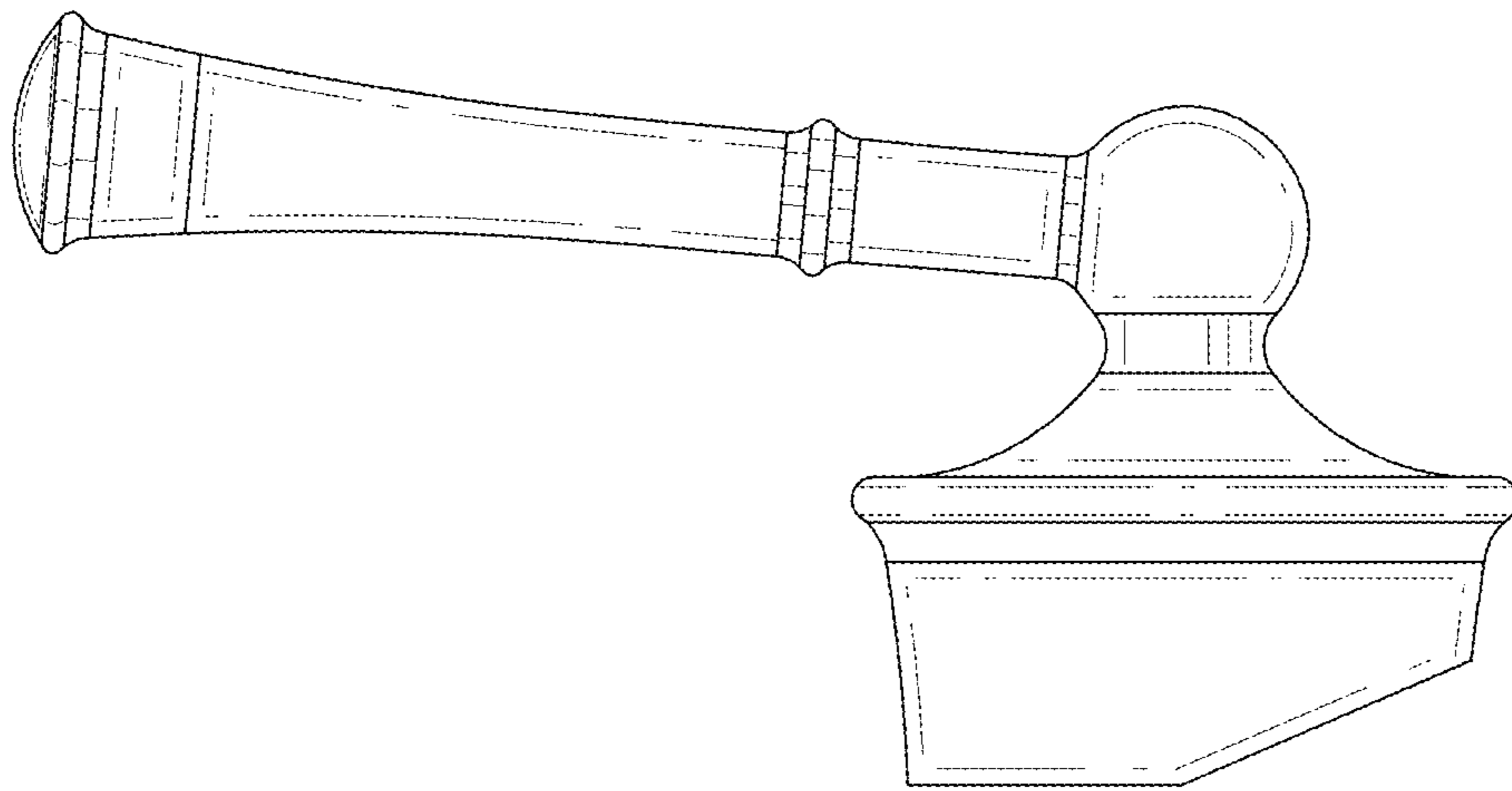


FIG. 5

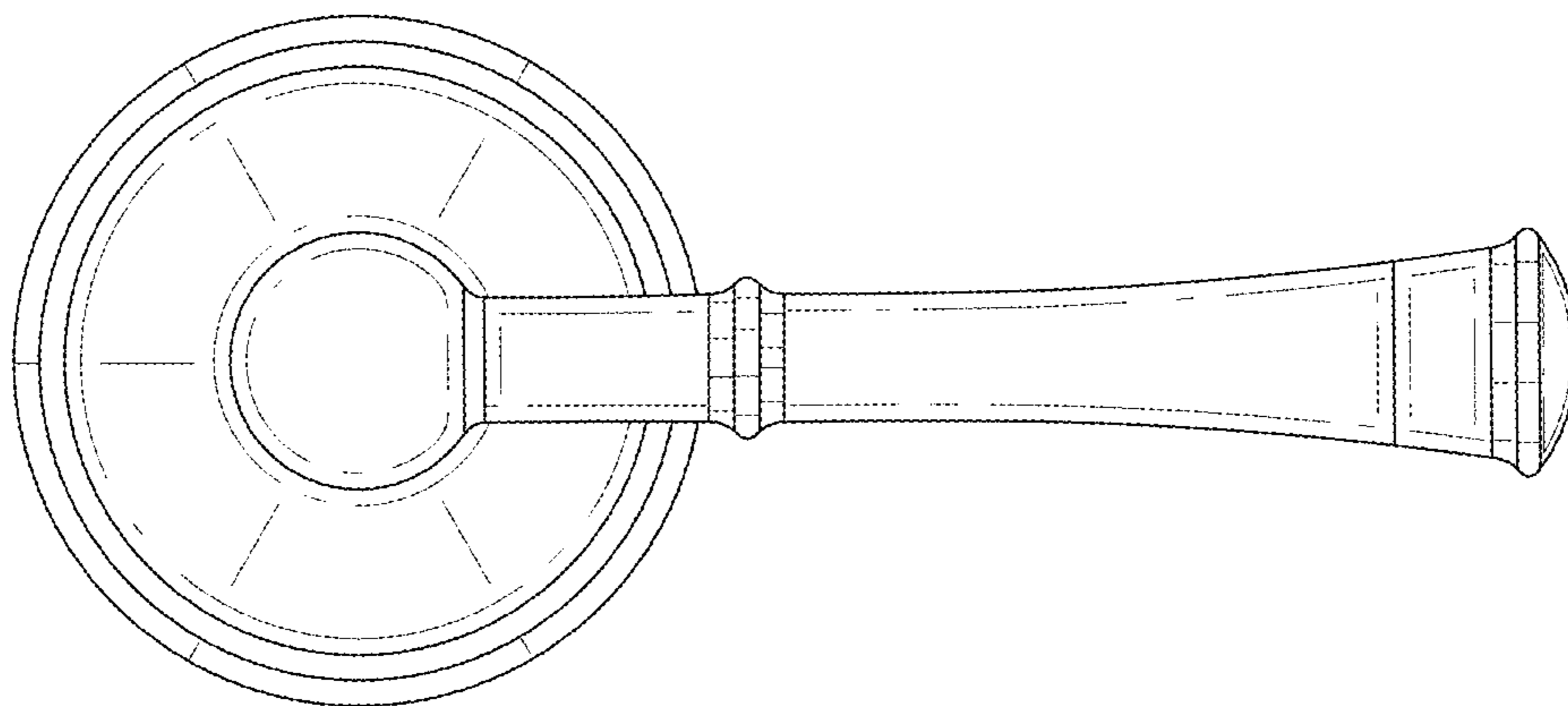


FIG. 6

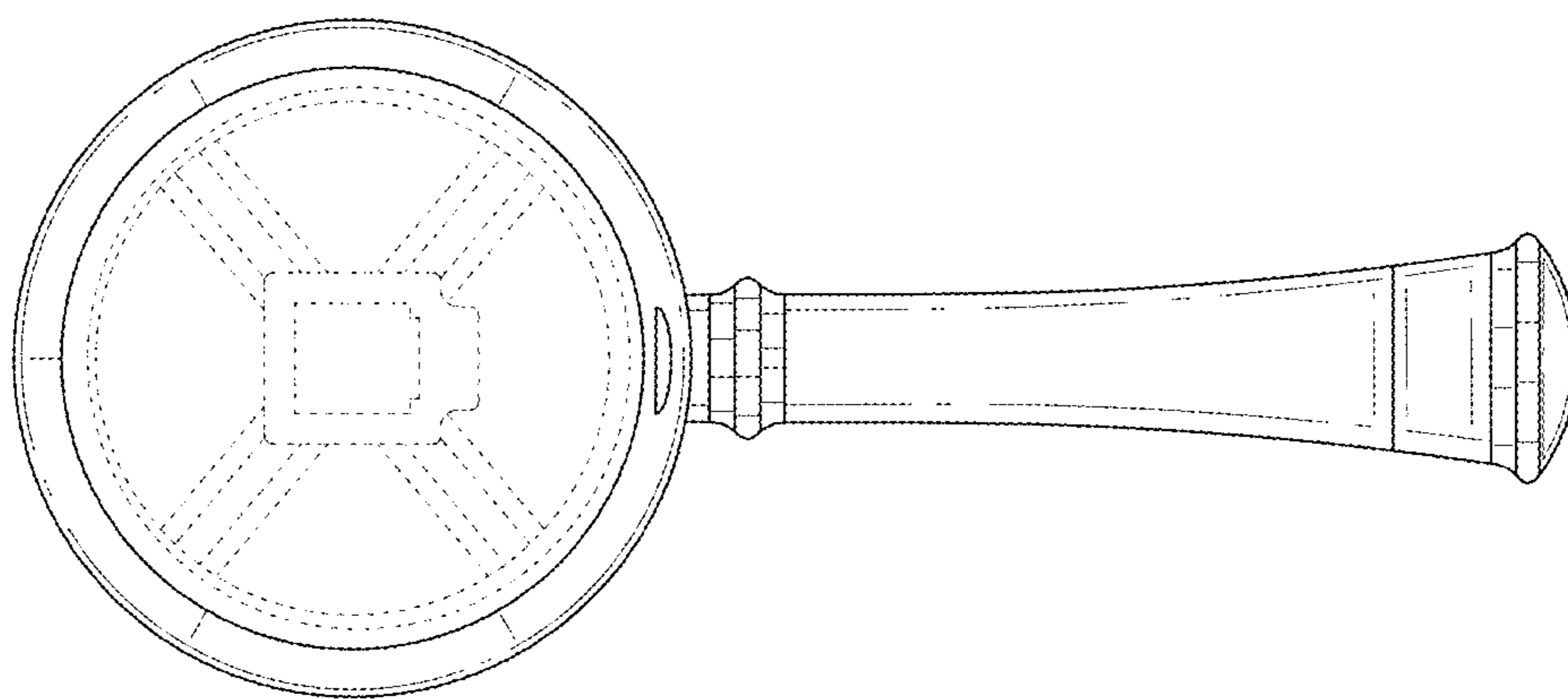


FIG. 7