



US00D940831S

(12) **United States Design Patent**  
**Elser**

(10) **Patent No.:** **US D940,831 S**

(45) **Date of Patent:** **\*\* Jan. 11, 2022**

(54) **FAUCET**

D797,893 S \* 9/2017 Fritz ..... D23/242  
D924,371 S \* 7/2021 Weber ..... D23/242

(71) Applicant: **DELTA FAUCET COMPANY**,  
Indianapolis, IN (US)

\* cited by examiner

(72) Inventor: **Simon Elser**, Indianapolis, IN (US)

*Primary Examiner* — Robert A Delehanty

(73) Assignee: **DELTA FAUCET COMPANY**,  
Indianapolis, IN (US)

(74) *Attorney, Agent, or Firm* — Nirav D. Parikh; Edgar  
A. Zarins

(\*\*) Term: **15 Years**

(57) **CLAIM**

(21) Appl. No.: **29/736,808**

The ornamental design for a faucet, as shown and described.

(22) Filed: **Jun. 3, 2020**

(51) **LOC (13) Cl.** ..... **23-01**

(52) **U.S. Cl.**  
USPC ..... **D23/242**

(58) **Field of Classification Search**  
USPC ..... D23/238–243, 249–250, 252, 254,  
D23/255–257; D8/307–308  
See application file for complete search history.

**DESCRIPTION**

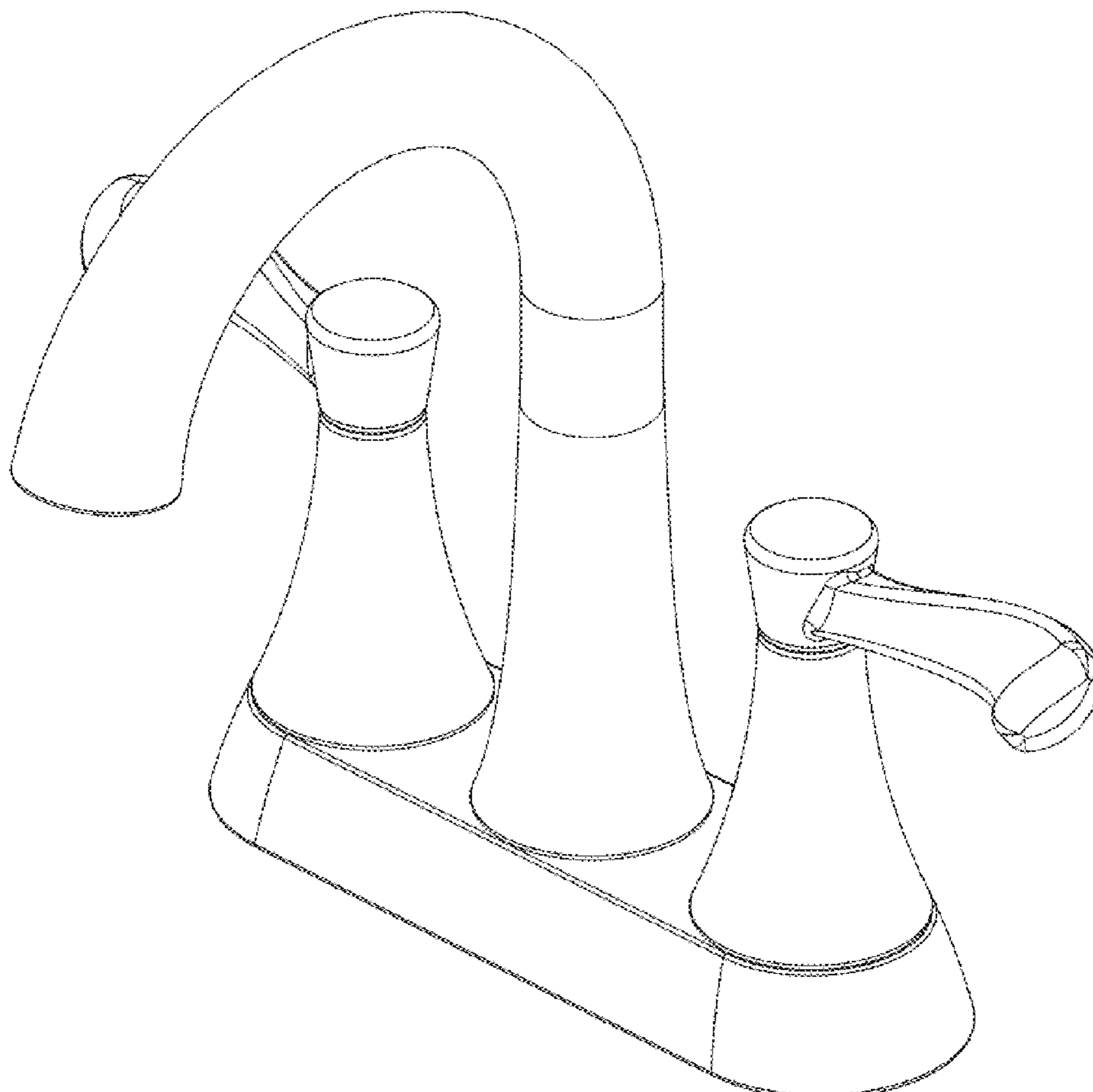
FIG. 1 is a front perspective view of a faucet showing my new design;  
FIG. 2 is a rear perspective view thereof;  
FIG. 3 is a front elevational view thereof;  
FIG. 4 is a left side view thereof;  
FIG. 5 is a rear view thereof;  
FIG. 6 is a right side view thereof;  
FIG. 7 is a top plan view thereof; and,  
FIG. 8 is a bottom view thereof.

(56) **References Cited**

**U.S. PATENT DOCUMENTS**

D791,280 S \* 7/2017 Fritz ..... D23/242

**1 Claim, 4 Drawing Sheets**



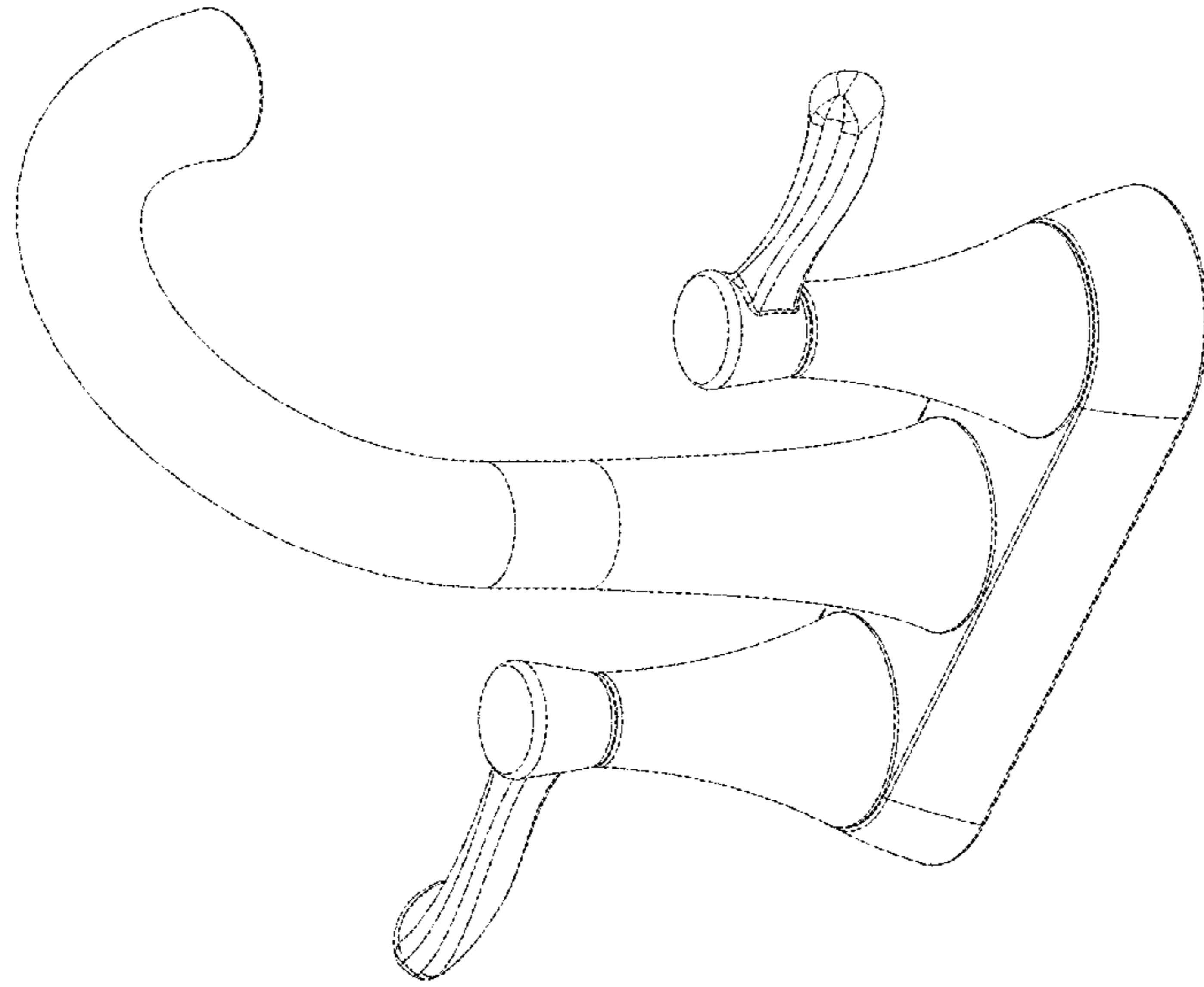


FIG-2

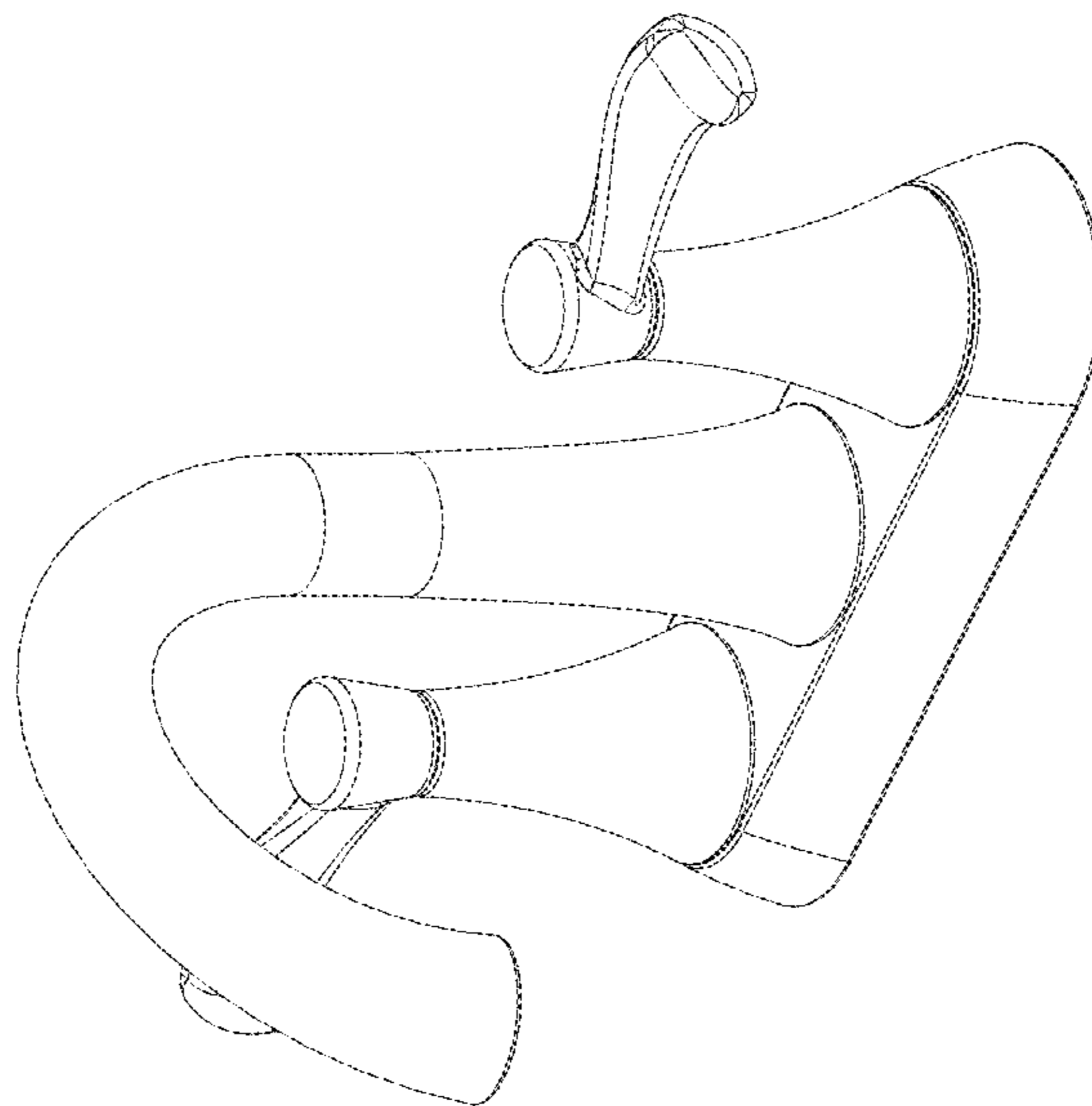


FIG-1

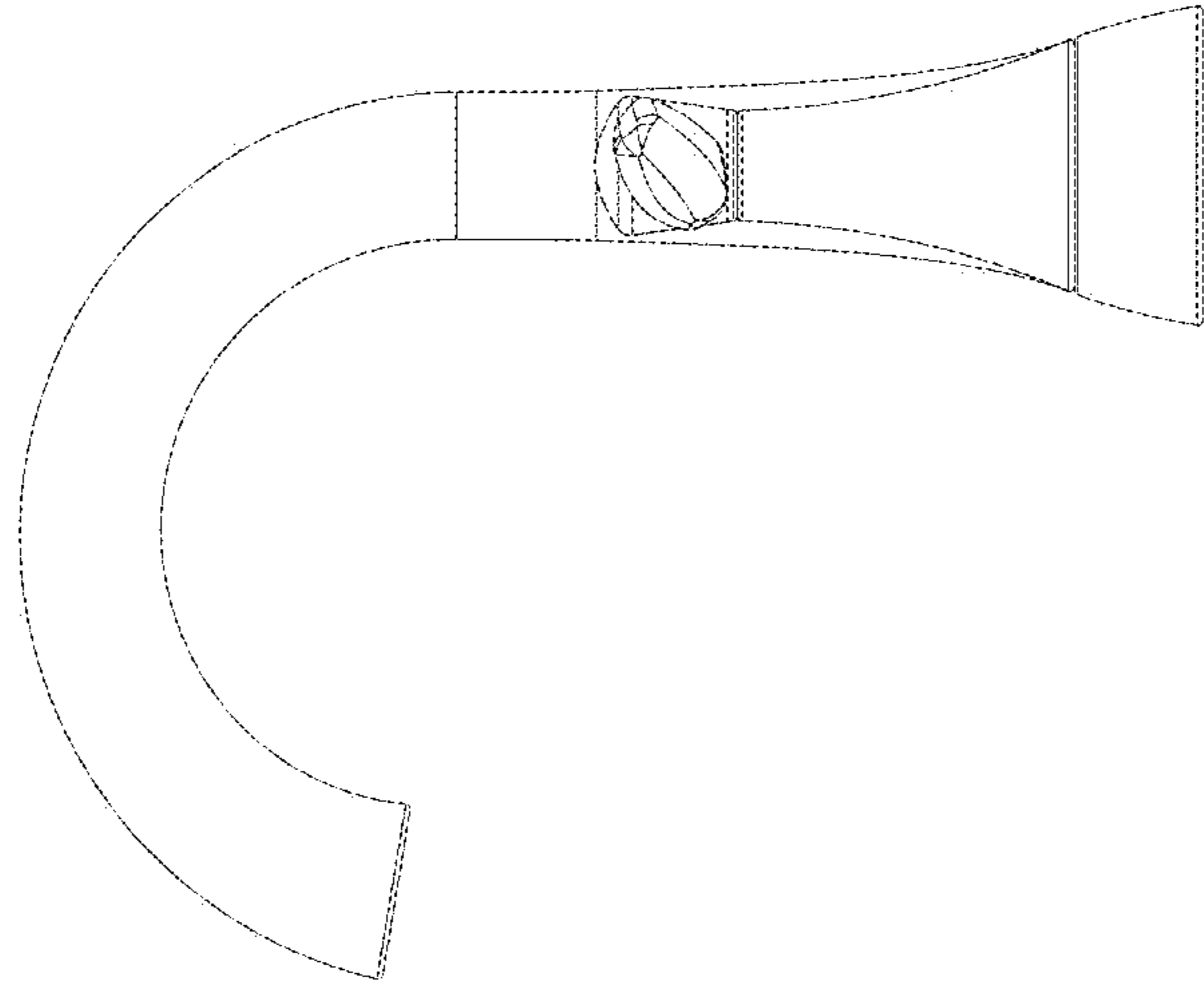


FIG-4

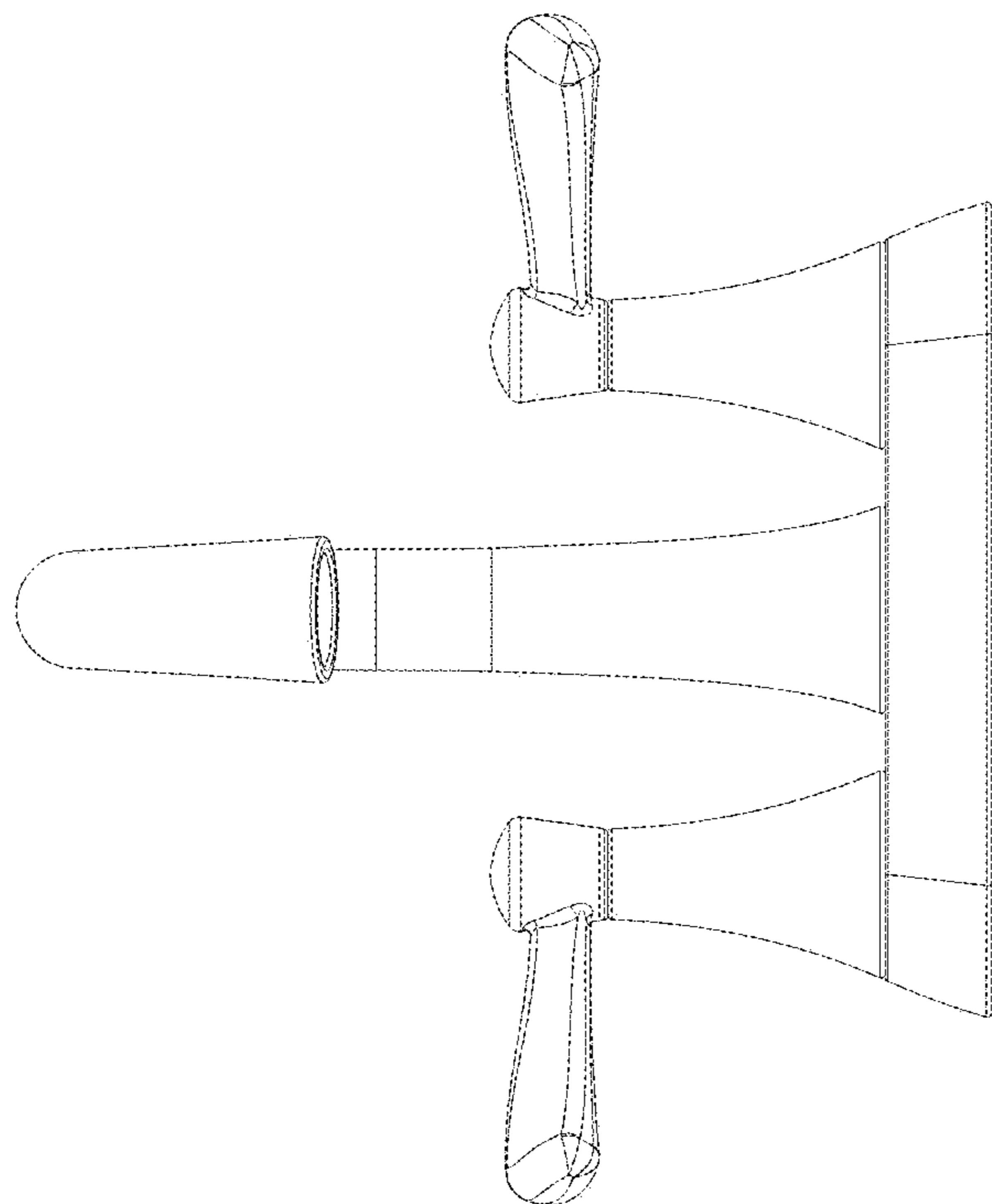


FIG-3

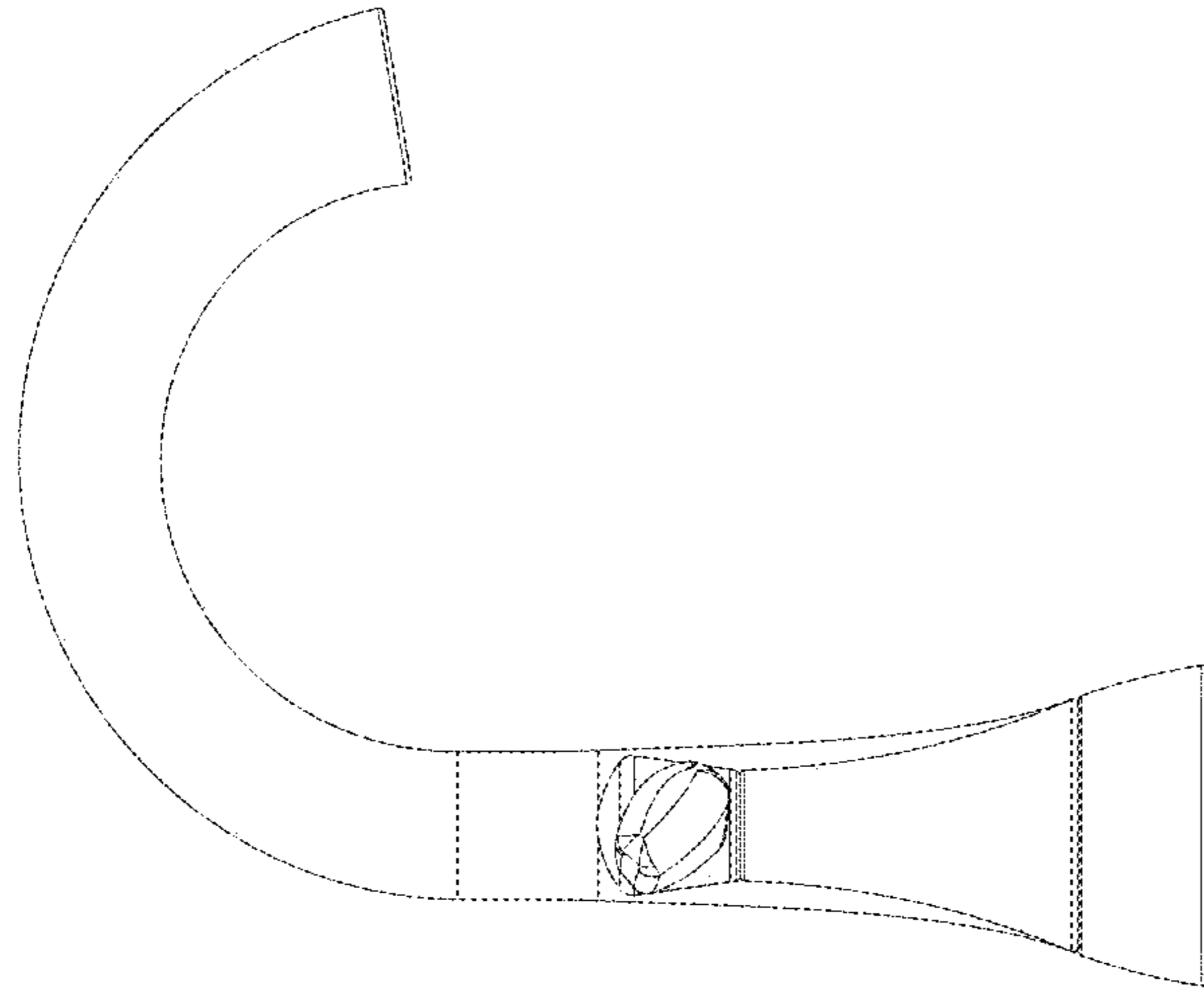


FIG-6

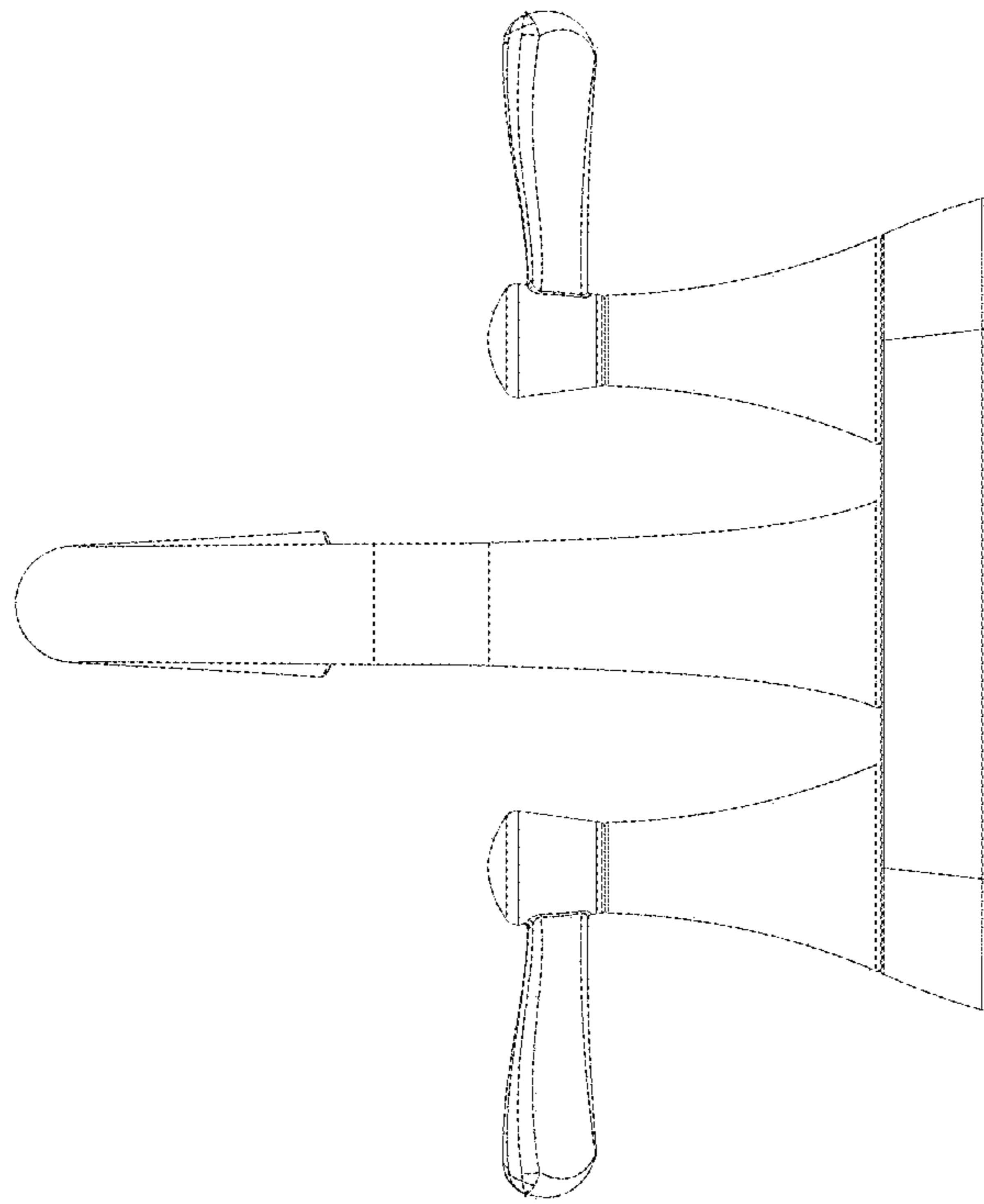


FIG-5

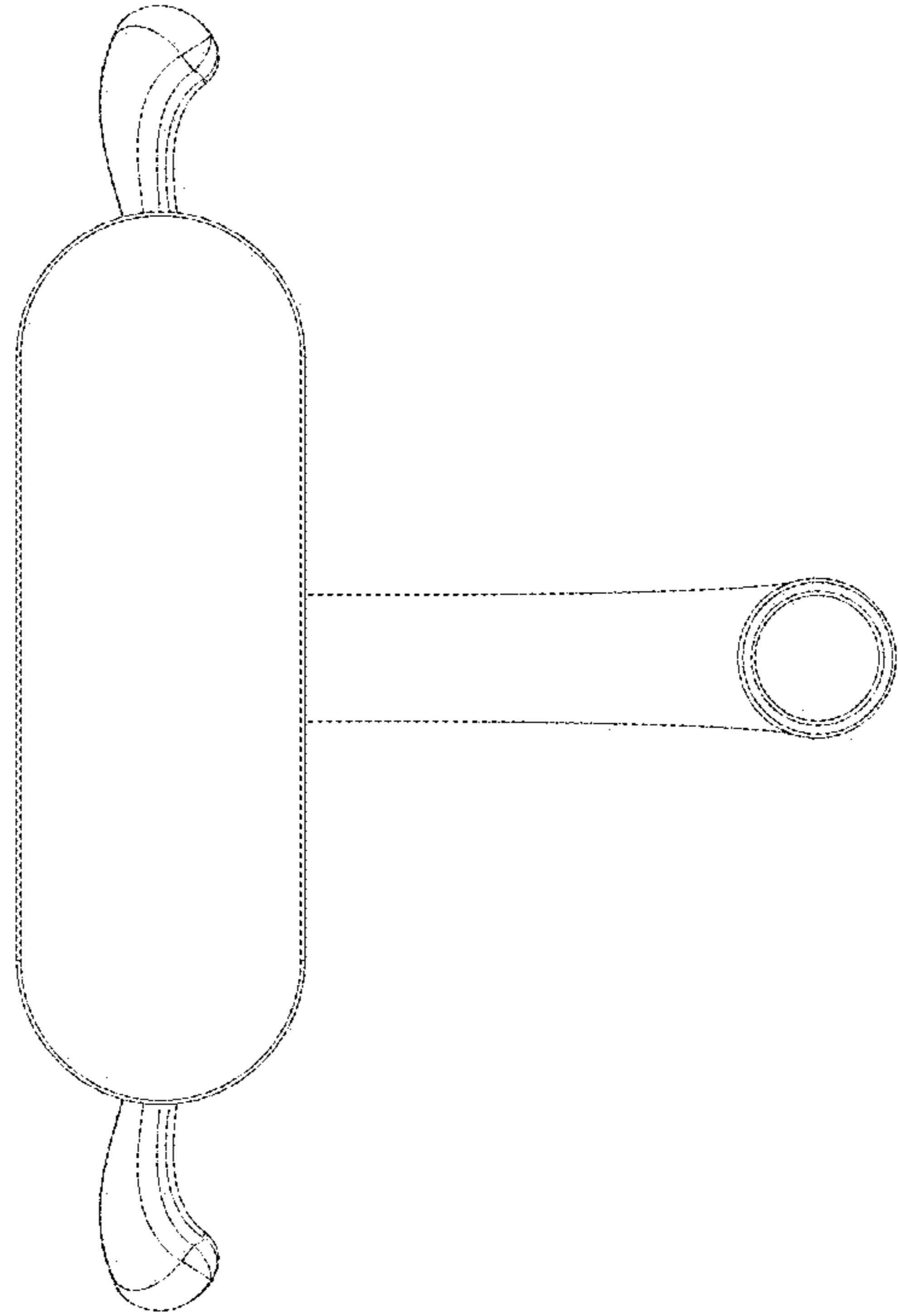


FIG-8

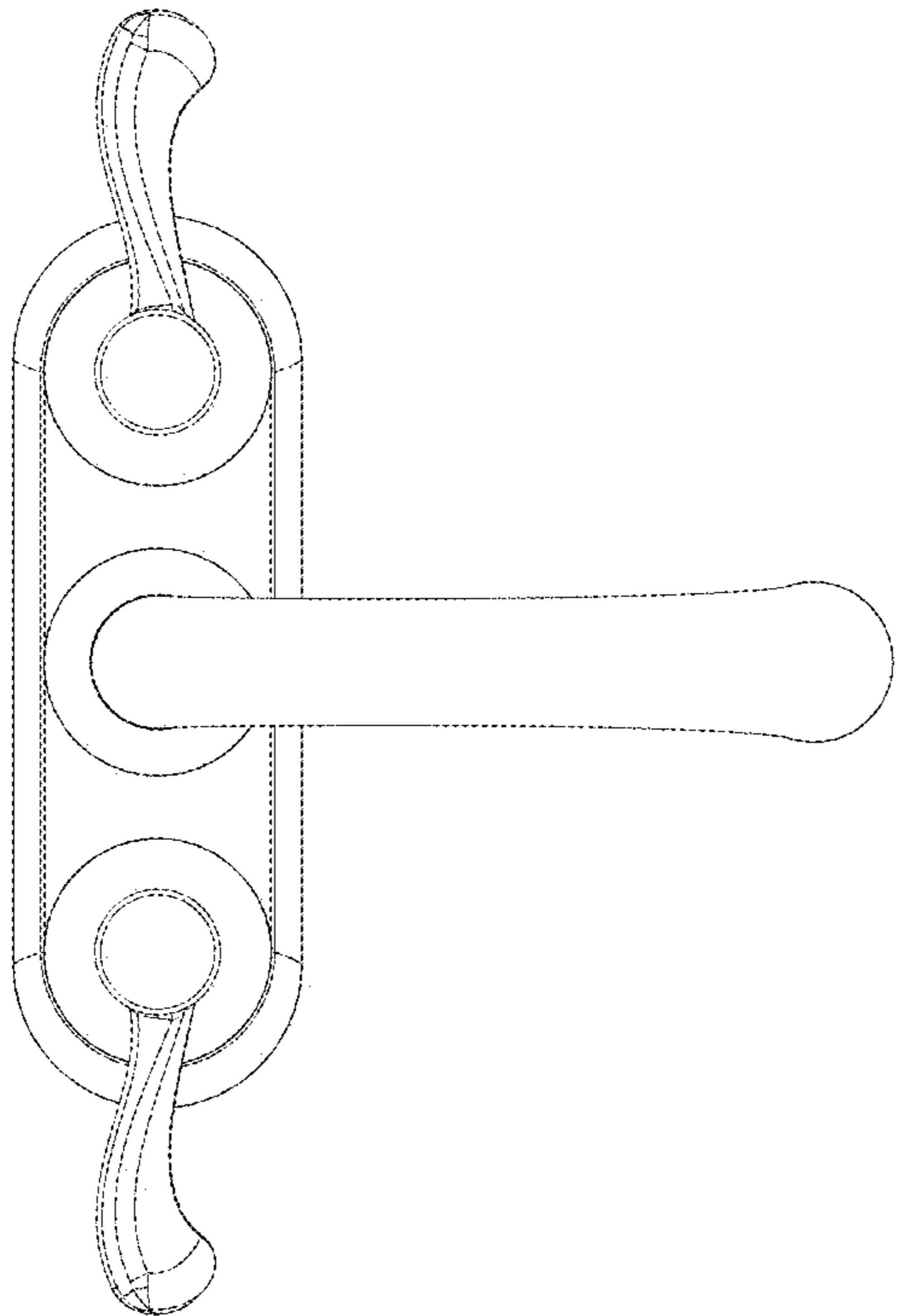


FIG-7