

US00D940830S

(12) **United States Design Patent**
Kliwer et al.

(10) **Patent No.:** **US D940,830 S**

(45) **Date of Patent:** **** Jan. 11, 2022**

(54) **FAUCET**

D888,897 S * 6/2020 Soulier D23/253
D912,780 S * 3/2021 Levi D23/242

(71) Applicant: **Waterstone, LLC**, Murietta, CA (US)

* cited by examiner

(72) Inventors: **Steve Kliwer**, Whittier, CA (US);
Chris Kuran, Fallbrook, CA (US);
Oguz Mutluer, Temecula, CA (US);
Samuel McDaniels, Fallbrook, CA (US)

Primary Examiner — Robert A Delehanty

(74) *Attorney, Agent, or Firm* — Myers Andras LLP;
Joseph C. Andras

(73) Assignee: **WATERSTONE, LLC**, Murietta, CA (US)

(57) **CLAIM**

The ornamental design for the faucet, as shown and described.

(**) Term: **15 Years**

(21) Appl. No.: **29/727,481**

(22) Filed: **Mar. 11, 2020**

(51) **LOC (13) Cl.** **23-01**

(52) **U.S. Cl.**
USPC **D23/242**

(58) **Field of Classification Search**
USPC D23/238–243, 250, 252–254, 245, 249,
D23/255–257; D8/307–308
See application file for complete search history.

DESCRIPTION

FIG. 1 is a front perspective view of the faucet according to my design, the brackets indicating that the precise spacing between the illustrated elements is not claimed; FIG. 2 is a rear perspective view of the faucet; FIG. 3 is a front elevational view of the faucet; FIG. 4 is a top plan view of the faucet; FIG. 5 is a bottom plan view of the faucet; FIG. 6 is a left elevational view of the faucet, the right side view being a mirror image thereof; and, FIG. 7 is a rear elevational view of the faucet.

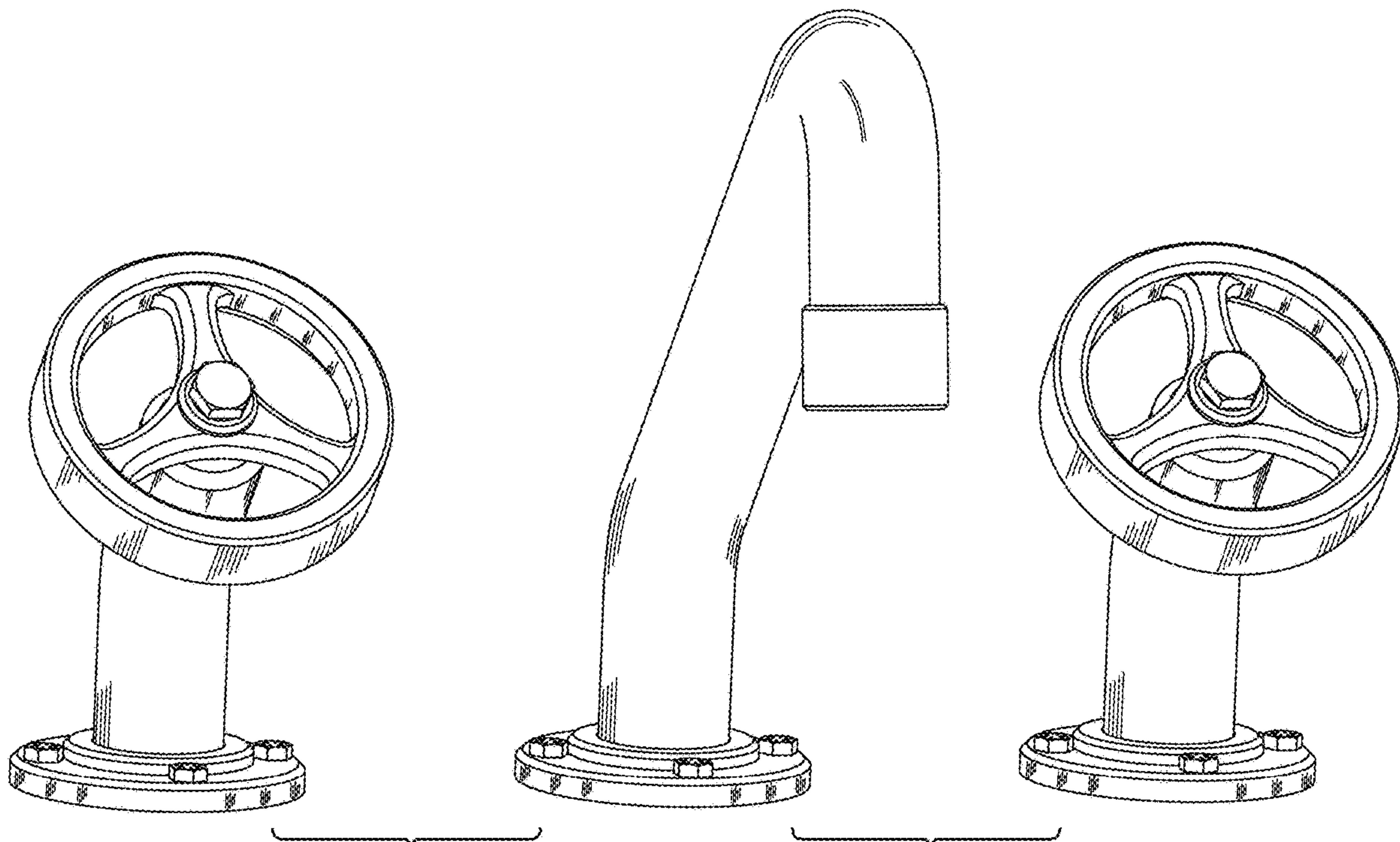
The fluid flow ports are shown in broken lines for illustrative purposes only and form no part of the claimed design.

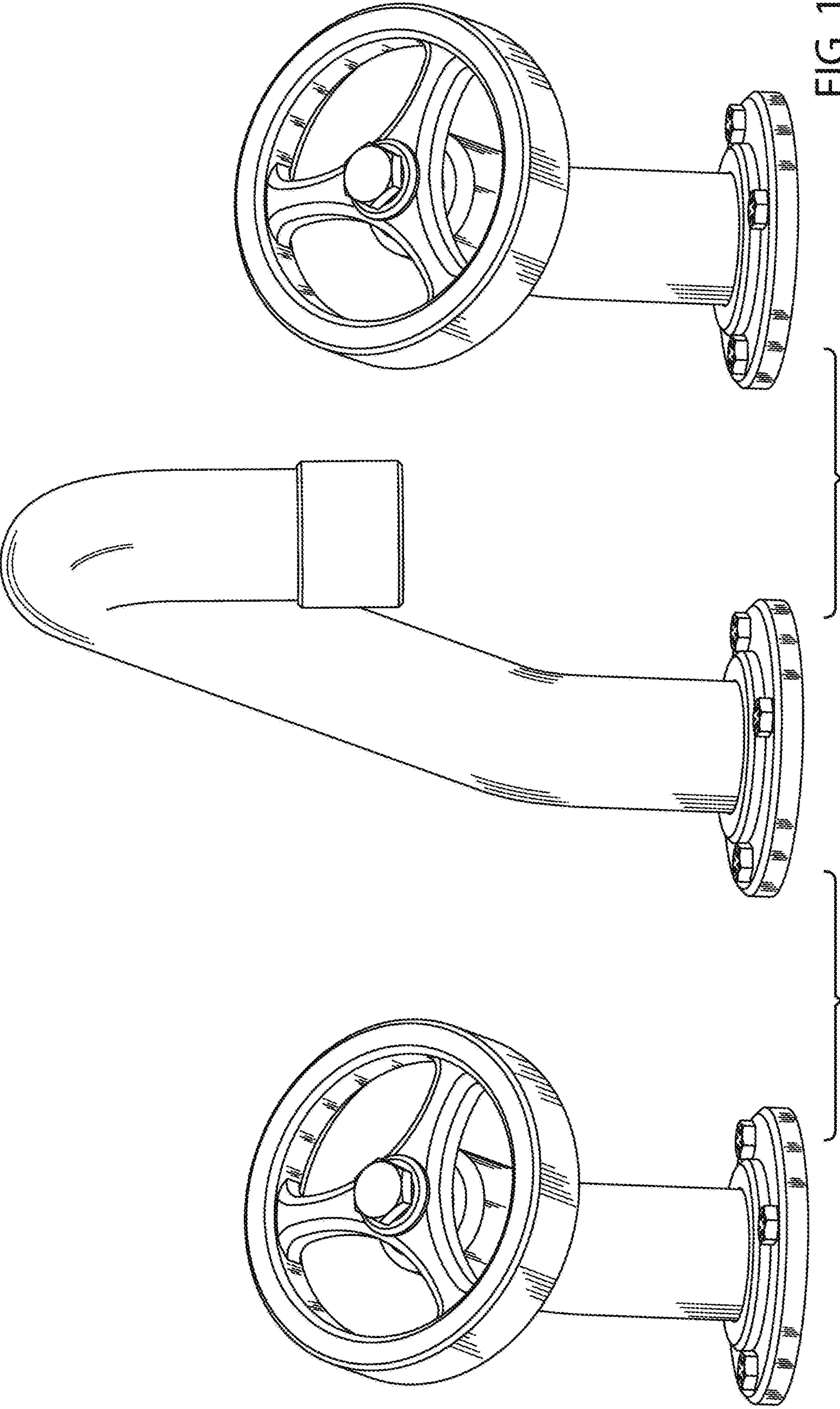
(56) **References Cited**

U.S. PATENT DOCUMENTS

D652,899 S * 1/2012 Citterio D23/255
D862,662 S * 10/2019 Kulig D23/253

1 Claim, 7 Drawing Sheets





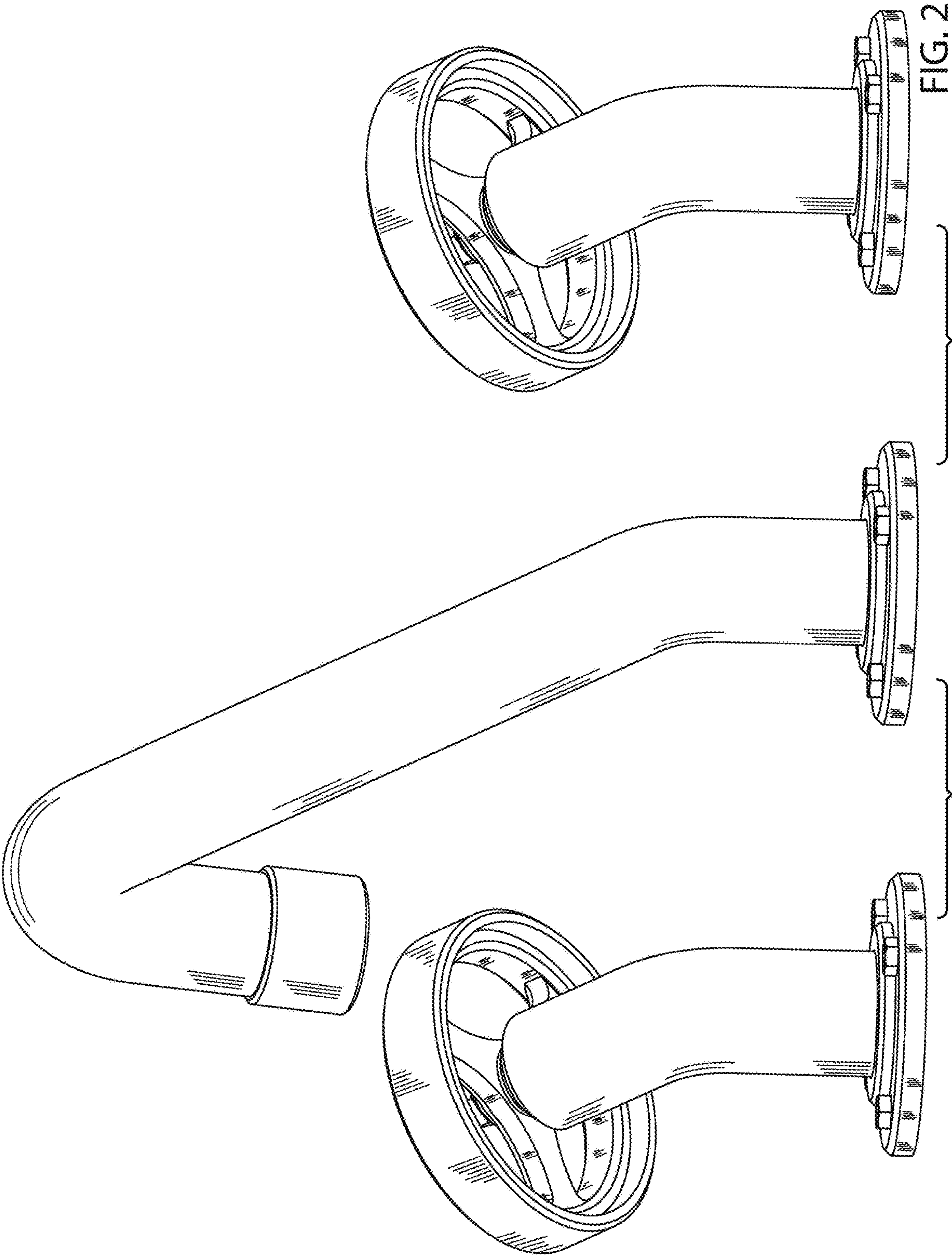
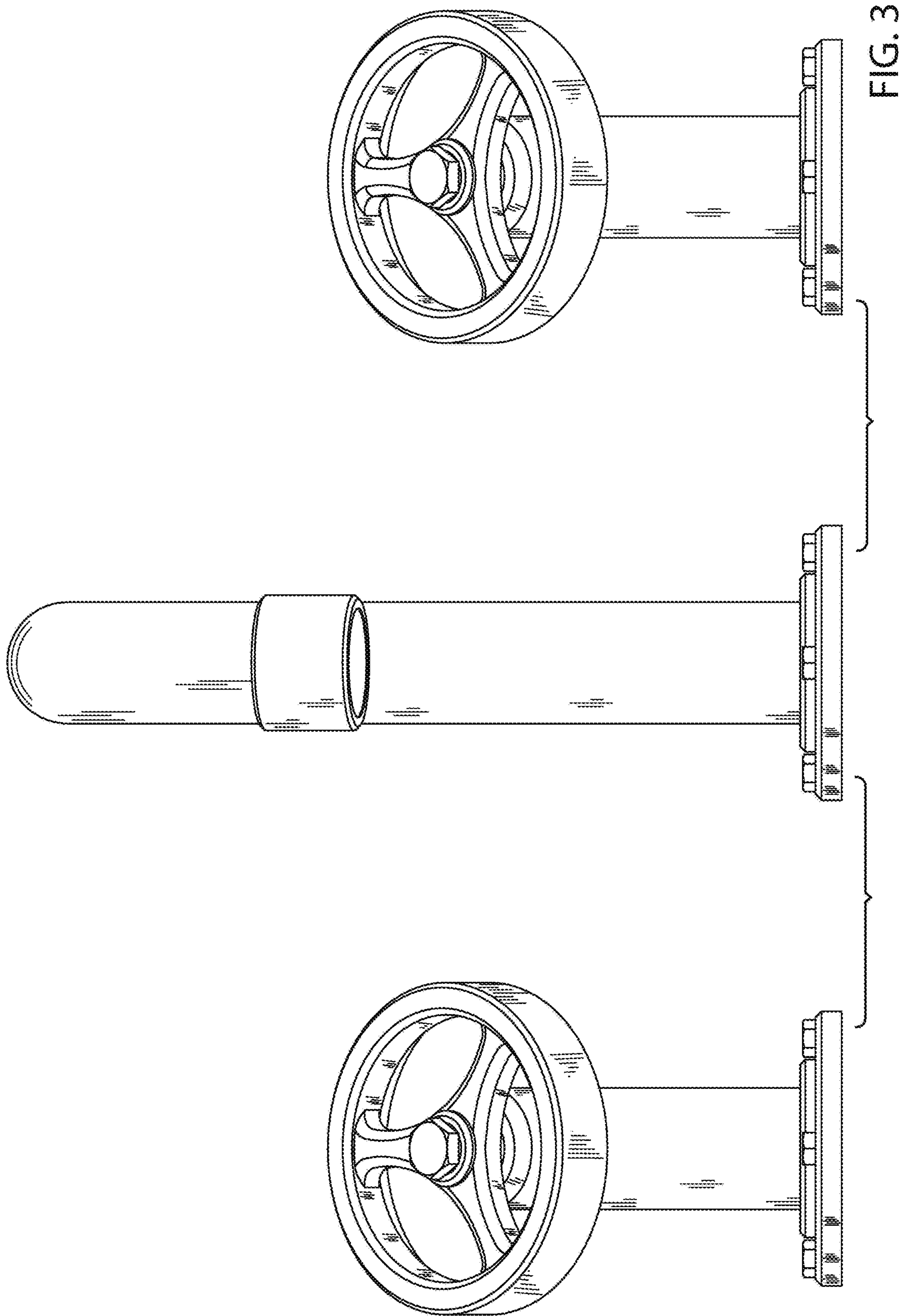


FIG. 2



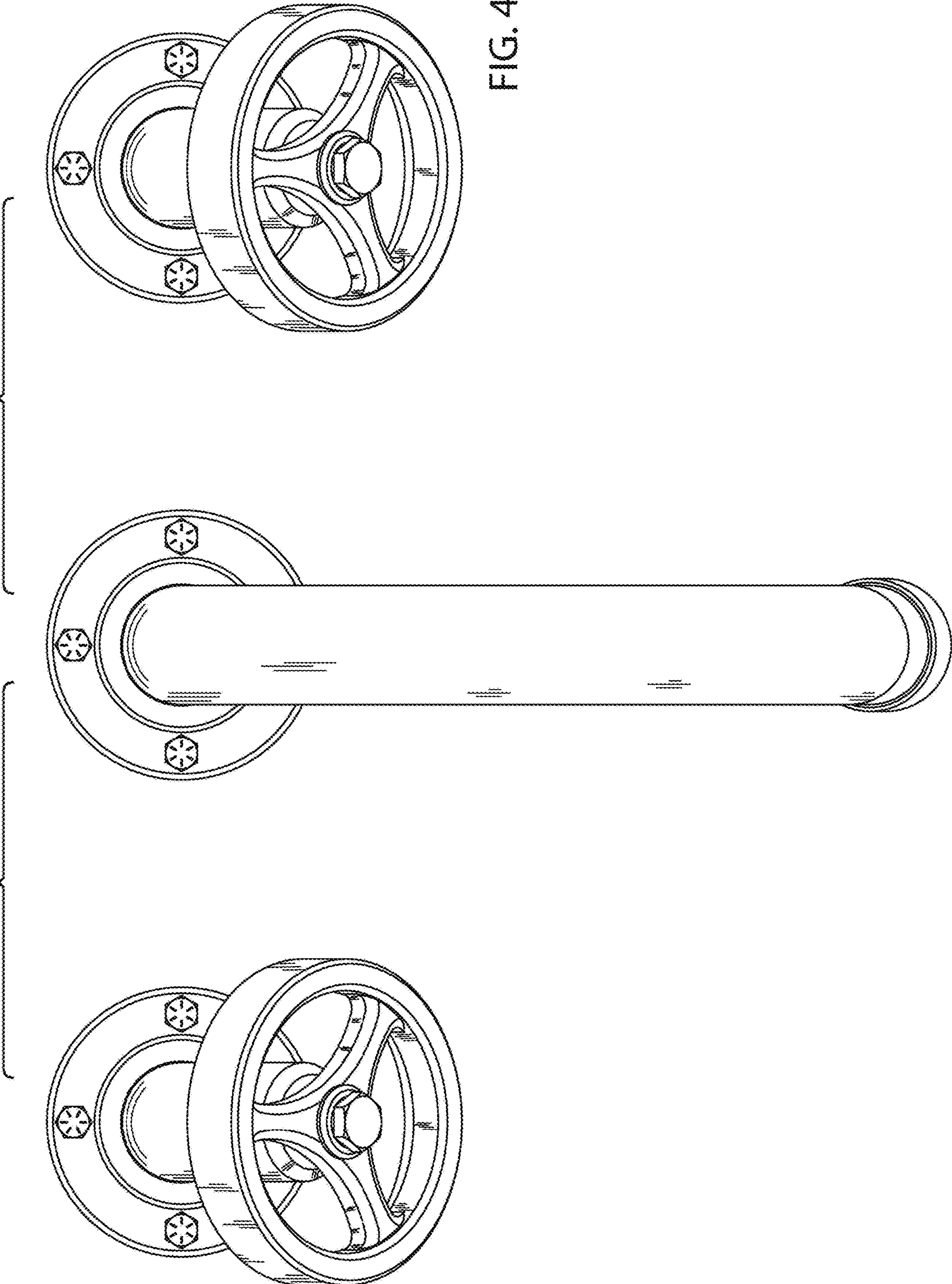


FIG. 4

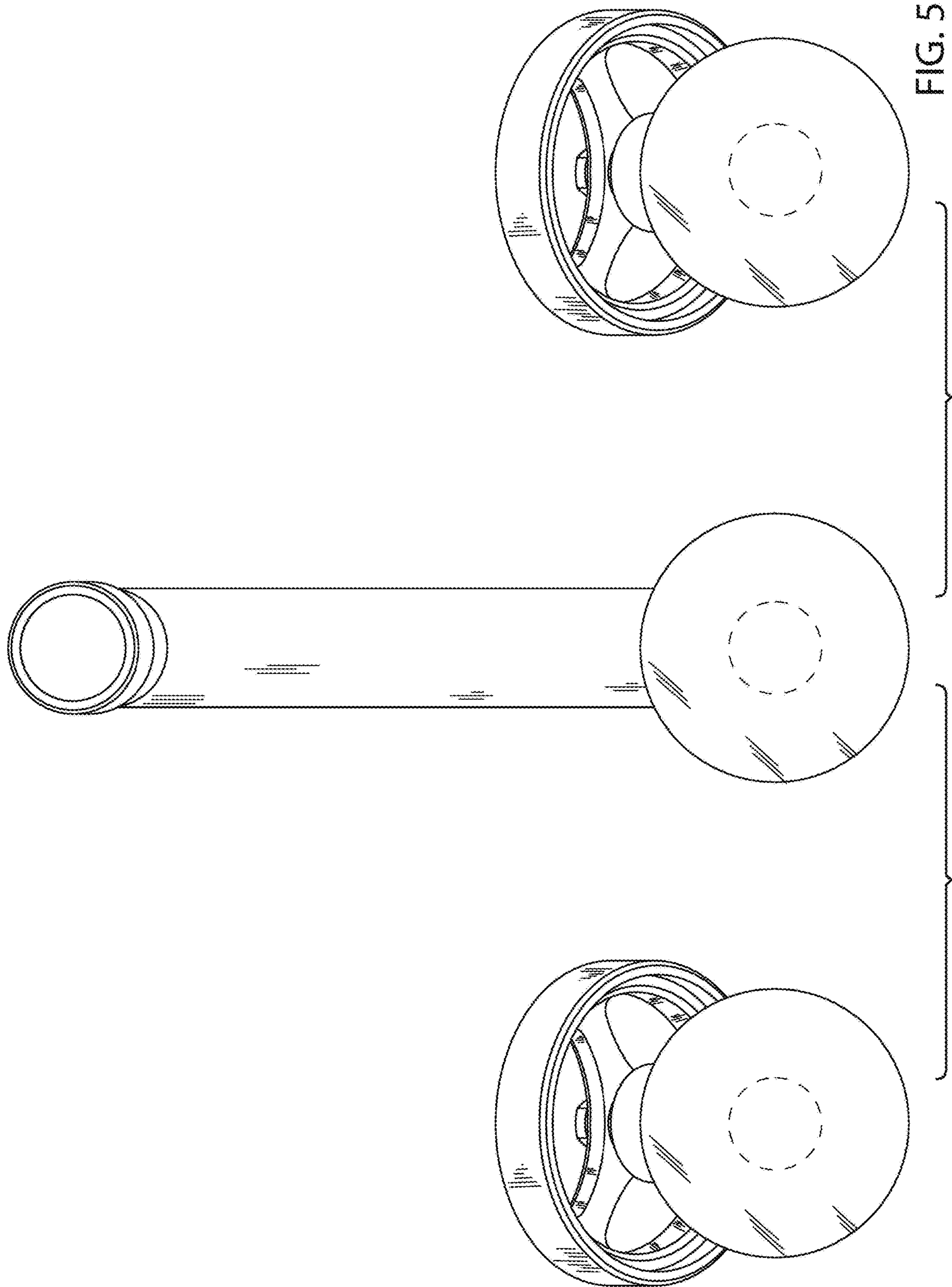


FIG. 6

