



US00D940829S

(12) **United States Design Patent**
Downey et al.

(10) **Patent No.:** **US D940,829 S**
(45) **Date of Patent:** **** Jan. 11, 2022**

(54) **FAUCET**

(71) Applicant: **Spectrum Brands, Inc.**, Middleton, WI (US)

(72) Inventors: **David Downey**, Lake Forest, CA (US); **Bingo Wang**, Xiamen (CN); **Wei Hsu**, Lake Forest, CA (US)

(73) Assignee: **Spectrum Brands, Inc.**, Middleton, WI (US)

(**) Term: **15 Years**

(21) Appl. No.: **29/721,073**

(22) Filed: **Jan. 17, 2020**

(51) **LOC (13) Cl.** **23-01**

(52) **U.S. Cl.**
USPC **D23/238**

(58) **Field of Classification Search**
USPC D23/238–244, 252, 254–255, 257; D8/307–308
CPC F16K 31/602; F16K 31/605; F16K 31/607; E03C 1/0412
See application file for complete search history.

(56) **References Cited**

U.S. PATENT DOCUMENTS

D636,061 S *	4/2011	Kulig	D23/238
D636,062 S *	4/2011	Rubin	D23/238
D644,300 S *	8/2011	Yokoyama	D23/238
D662,183 S *	6/2012	Sieger	D23/238
D684,243 S *	6/2013	Lord	D23/238
D750,203 S *	2/2016	Flowers	D23/238
D771,224 S *	11/2016	Flowers	D23/238
D809,104 S *	1/2018	Schoenherr	D23/238
D809,628 S *	2/2018	Schoenherr	D23/238
D811,529 S *	2/2018	Schoenherr	D23/238
D811,532 S *	2/2018	Schoenherr	D23/238
D828,502 S *	9/2018	Schoenherr	D23/238
D828,505 S *	9/2018	Schoenherr	D23/238

D846,701 S *	4/2019	Liu	D23/238
D862,649 S *	10/2019	Meyers	D23/238
D862,650 S *	10/2019	Meyers	D23/238
D873,964 S *	1/2020	Soulier	D23/238
D900,968 S *	11/2020	Garland	D23/238
D908,193 S *	1/2021	Rockwell	D23/238

(Continued)

FOREIGN PATENT DOCUMENTS

CN 305251117 * 11/2018

OTHER PUBLICATIONS

Moen 6190 Align One-Handle Modern Bathroom Faucet, first available Feb. 19, 2014[online], [site visited Jun. 1, 2021]. Available from internet, URL:<<https://www.amazon.com/Moen-6190-One-Handle-High-Arc-Bathroom/dp/B00IJHNJB8>> (Year: 2014).*

(Continued)

Primary Examiner — Barbara Fox
Assistant Examiner — Jamaal Rasheed
(74) *Attorney, Agent, or Firm* — Merchant & Gould P.C.

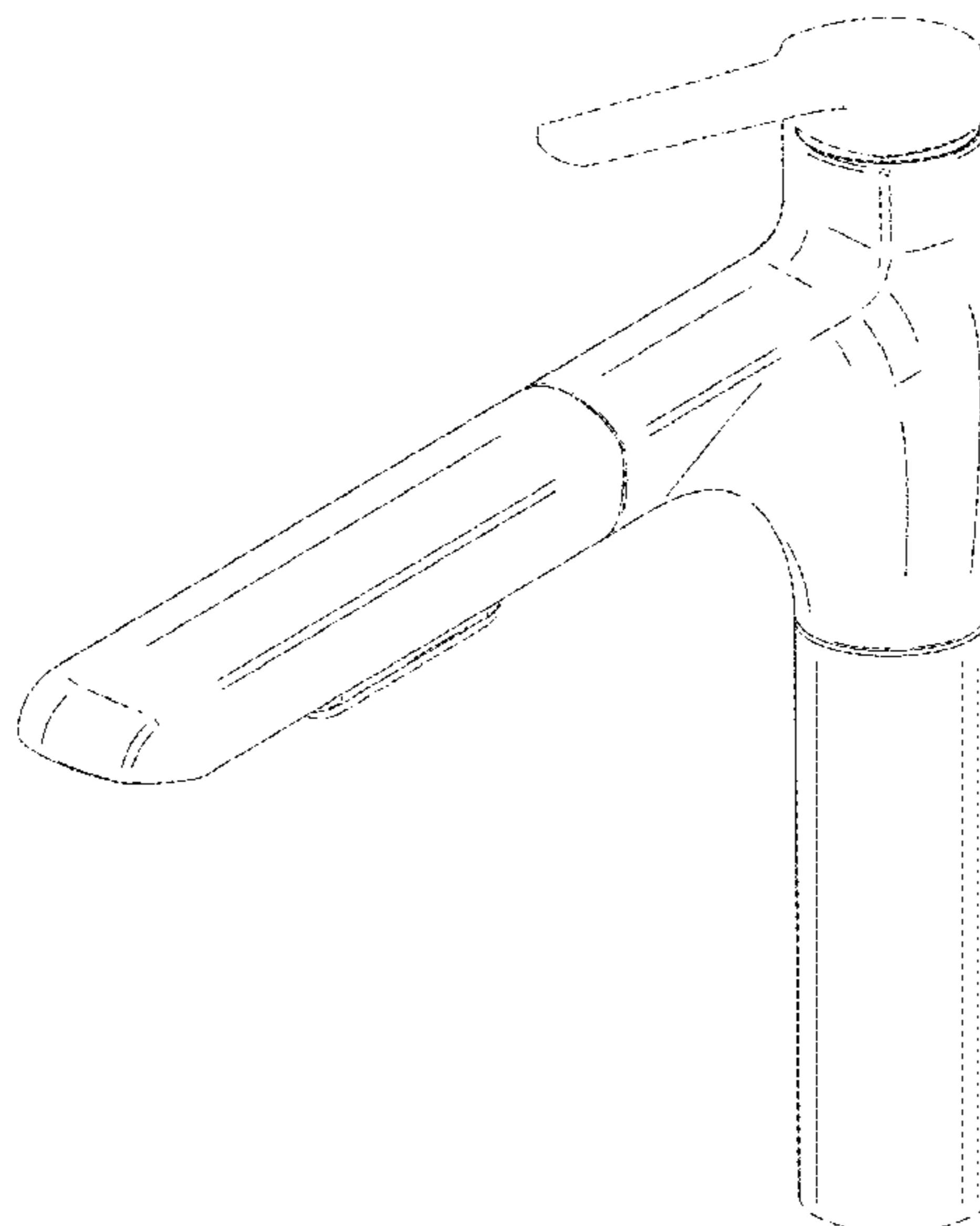
(57) **CLAIM**

The ornamental design for a faucet, as shown and described.

DESCRIPTION

FIG. 1 is a front perspective view of a faucet showing our new design;
FIG. 2 is rear perspective view thereof;
FIG. 3 is a left side view thereof;
FIG. 4 is a right side view thereof;
FIG. 5 is a front view thereof;
FIG. 6 is a rear view thereof;
FIG. 7 is a top view thereof; and,
FIG. 8 is a bottom view thereof.
The broken lines shown in the drawings depict portions of the faucet that form no part of the claimed design.

1 Claim, 8 Drawing Sheets



(56)

References Cited

U.S. PATENT DOCUMENTS

D914,142 S * 3/2021 Zhu D23/238
D914,845 S * 3/2021 Garland D23/238

OTHER PUBLICATIONS

Moen 6710 Vichy One-Handle Single Hole Modern Bathroom Faucet, first available Dec. 22, 2016[online], [site visited May 5, 2021]. Available from internet, URL:<<https://www.amazon.com/Moen-6710-One-Handle-Single-Bathroom/dp/B01N0TDSIB>> (Year: 2016).*

Grohe 31453DC1 Concetto Single-Handle Pull-Out Kitchen Faucet, first available Aug. 5, 2015[online], [site visited May 4, 2021]. Available from internet, URL:<<https://www.amazon.com/31453DC1-Concetto-Single-Handle-Pull-Out-Kitchen/dp/B013SJRI9A>> (Year: 2015).*

* cited by examiner

FIG. 1

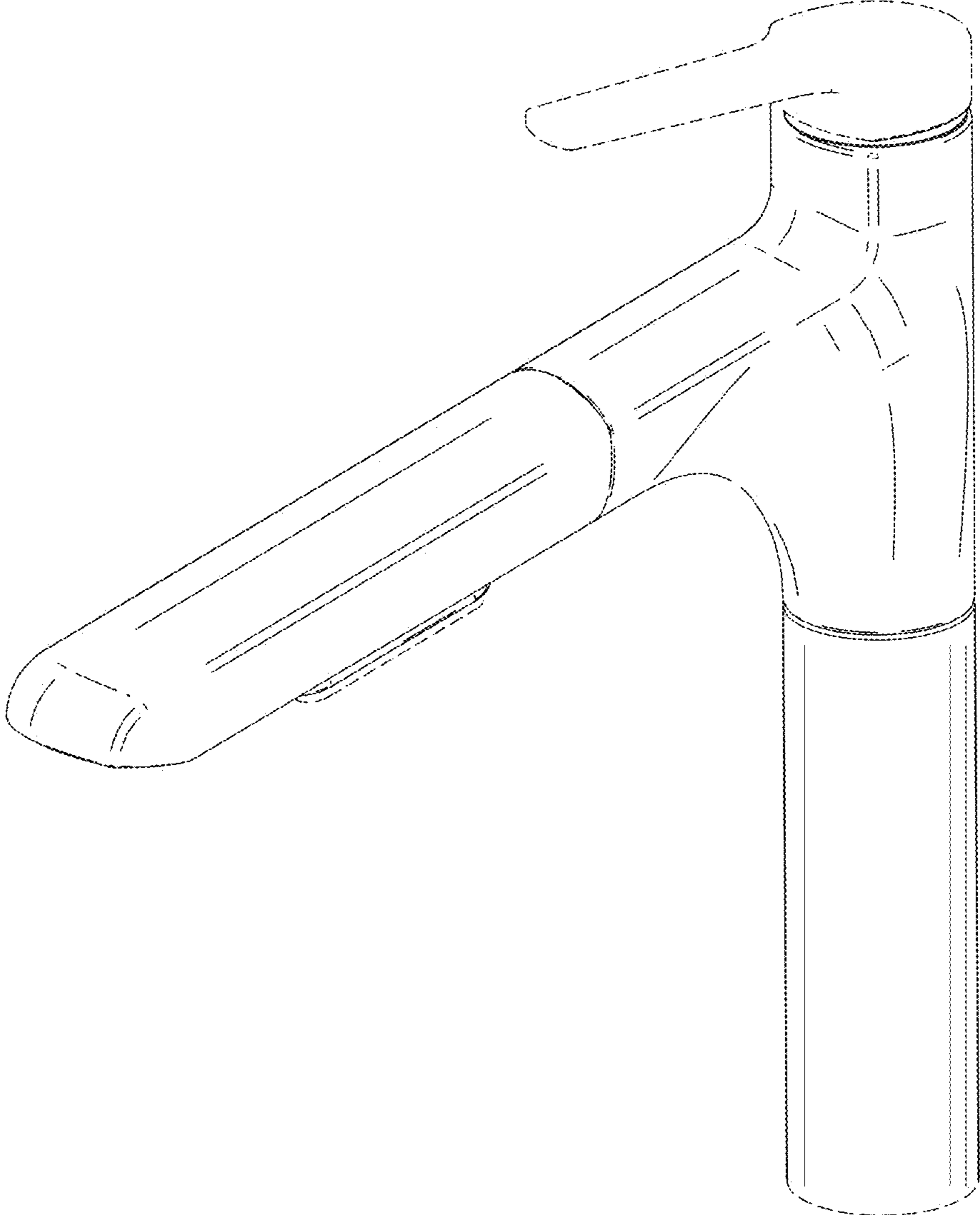


FIG. 2

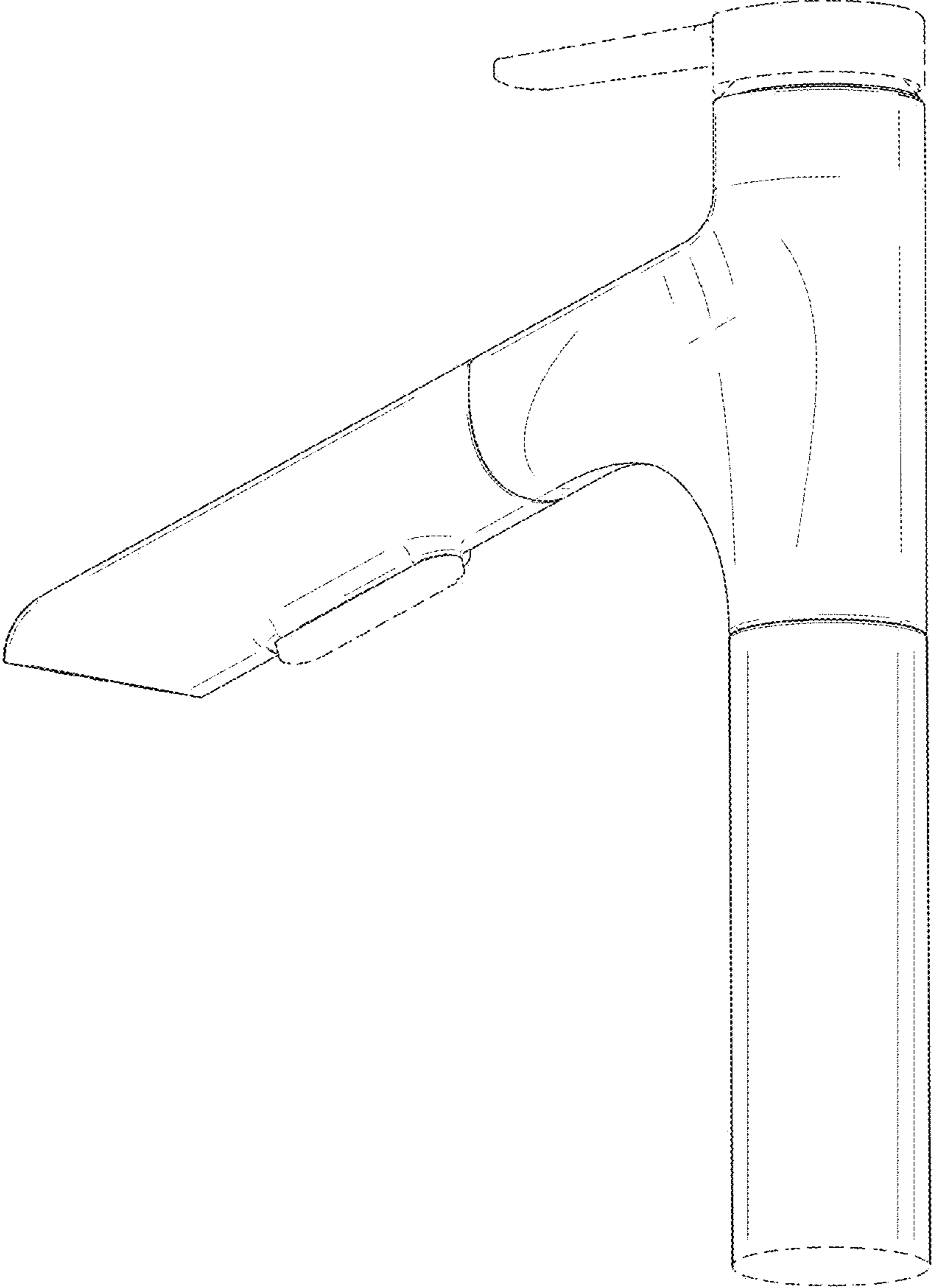


FIG. 3

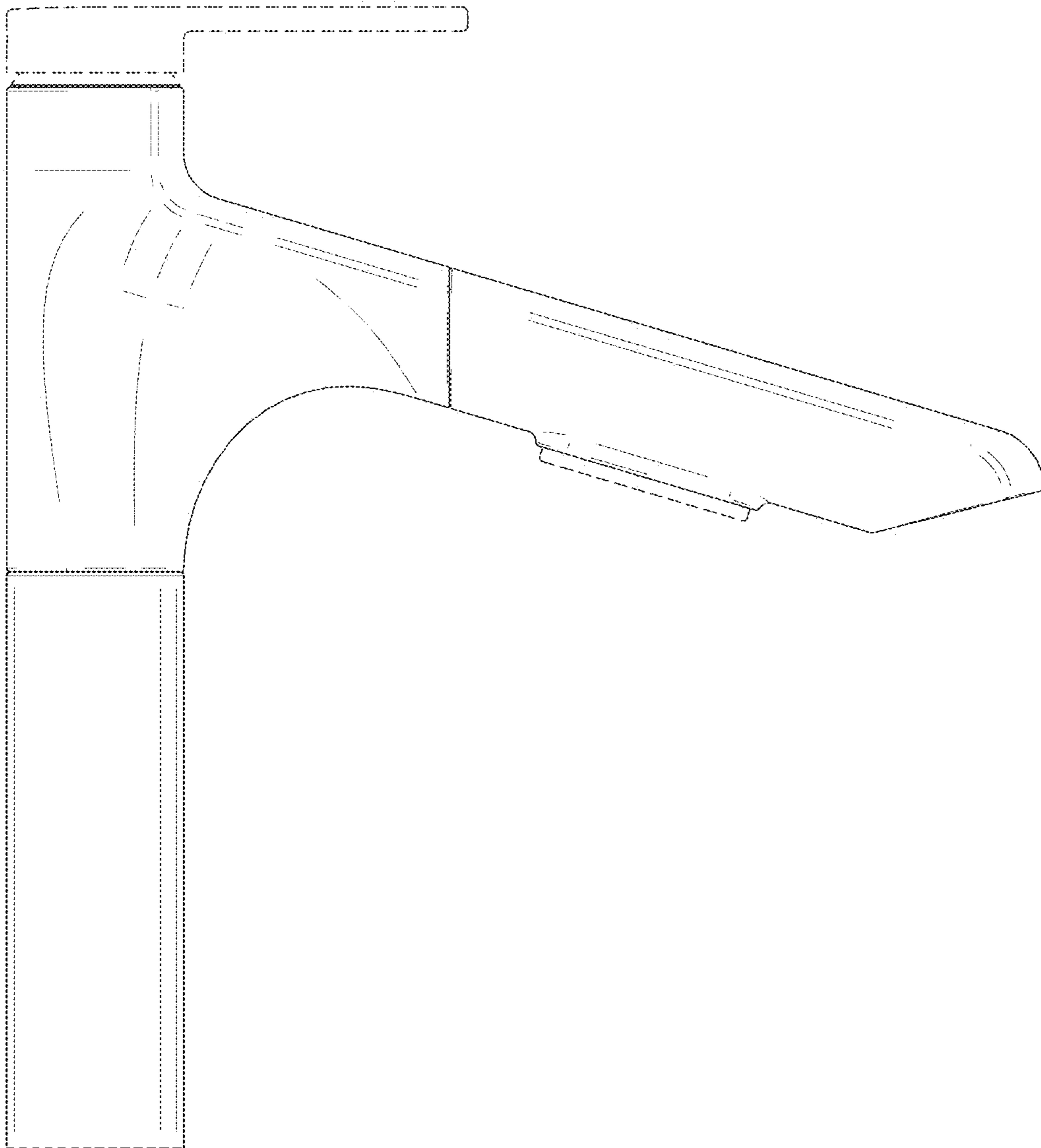


FIG. 4

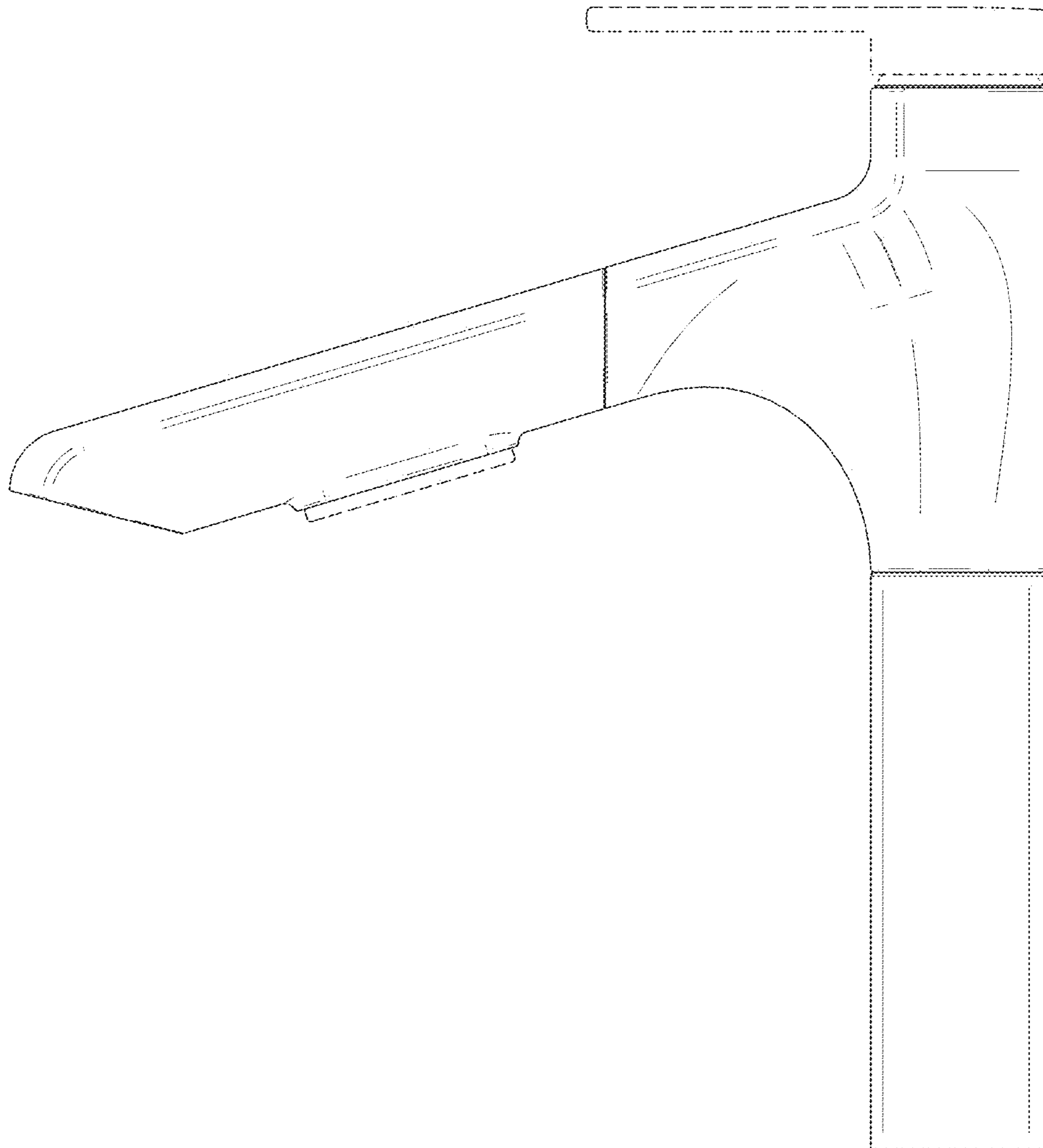


FIG. 5

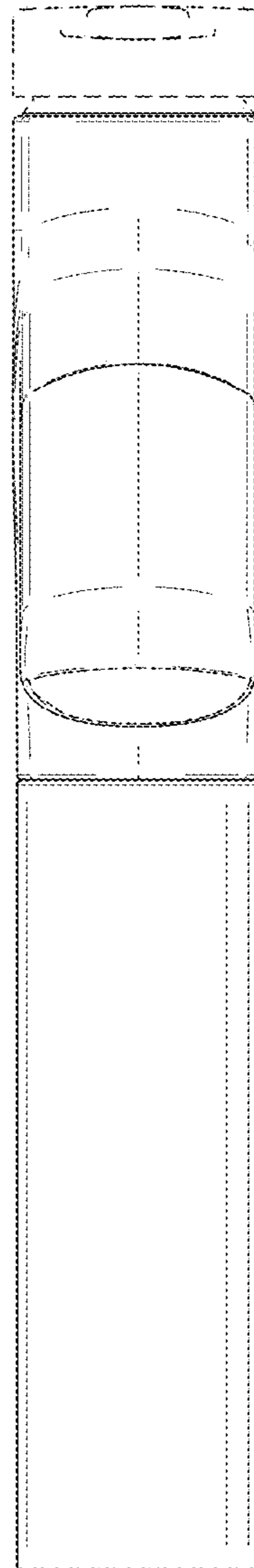


FIG. 6

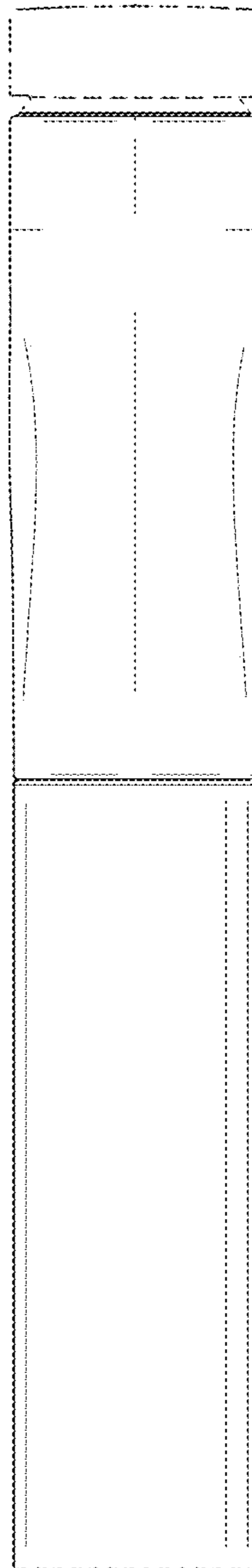


FIG. 7

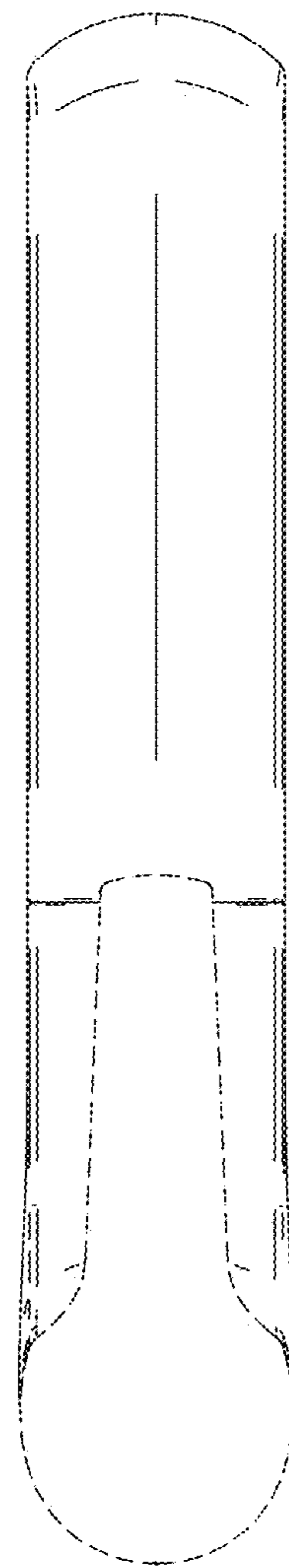


FIG. 8

