



US00D940828S

(12) **United States Design Patent**
Garland

(10) **Patent No.:** **US D940,828 S**

(45) **Date of Patent:** **** Jan. 11, 2022**

(54) **FAUCET**

(71) Applicant: **DELTA FAUCET COMPANY,**
Indianapolis, IN (US)

(72) Inventor: **Celine Kwok Garland,** Zionsville, IN
(US)

(73) Assignee: **DELTA FAUCET COMPANY,**
Indianapolis, IN (US)

(**) Term: **15 Years**

(21) Appl. No.: **29/719,992**

(22) Filed: **Jan. 9, 2020**

(51) **LOC (13) Cl.** **23-01**

(52) **U.S. Cl.**
USPC **D23/238**

(58) **Field of Classification Search**
USPC D23/238–244, 252, 254–255, 257;
D8/307–308
CPC F16K 31/602; F16K 31/605; F16K 31/607;
E03C 1/0412

See application file for complete search history.

(56) **References Cited**

U.S. PATENT DOCUMENTS

D626,198 S * 10/2010 Lammel D23/238
D655,784 S * 3/2012 Fukasawa D23/238
D680,627 S * 4/2013 Lord D23/255
D685,878 S * 7/2013 Fritz D23/238
D757,220 S * 5/2016 Schoenherr D23/238
D771,226 S * 11/2016 Schoenherr D23/255

D803,357 S * 11/2017 Lucchese D23/238
D803,987 S * 11/2017 Ruzza D23/239
D820,399 S * 6/2018 Garland D23/238
D825,719 S * 8/2018 Seum D23/238
D857,176 S * 8/2019 Spangler D23/255

OTHER PUBLICATIONS

Roca Insignia Medium Height Monobloc Basin Mixer, announced date unavailable [online], [site visited May 17, 2021]. Available from internet, URL:< <https://www.bathroomplanet.com/product/roca-insignia-medium-height-monobloc-basin-mixer-tap.html>> (Year: 2021).*

* cited by examiner

Primary Examiner — Barbara Fox

Assistant Examiner — Jamaal Rasheed

(74) *Attorney, Agent, or Firm* — Nirav D. Parikh; Edgar A. Zarins

(57) **CLAIM**

The ornamental design for a faucet, as shown and described.

DESCRIPTION

FIG. 1 is a front perspective view of a faucet showing my new design;

FIG. 2 is a rear perspective view thereof;

FIG. 3 is a front elevational view thereof;

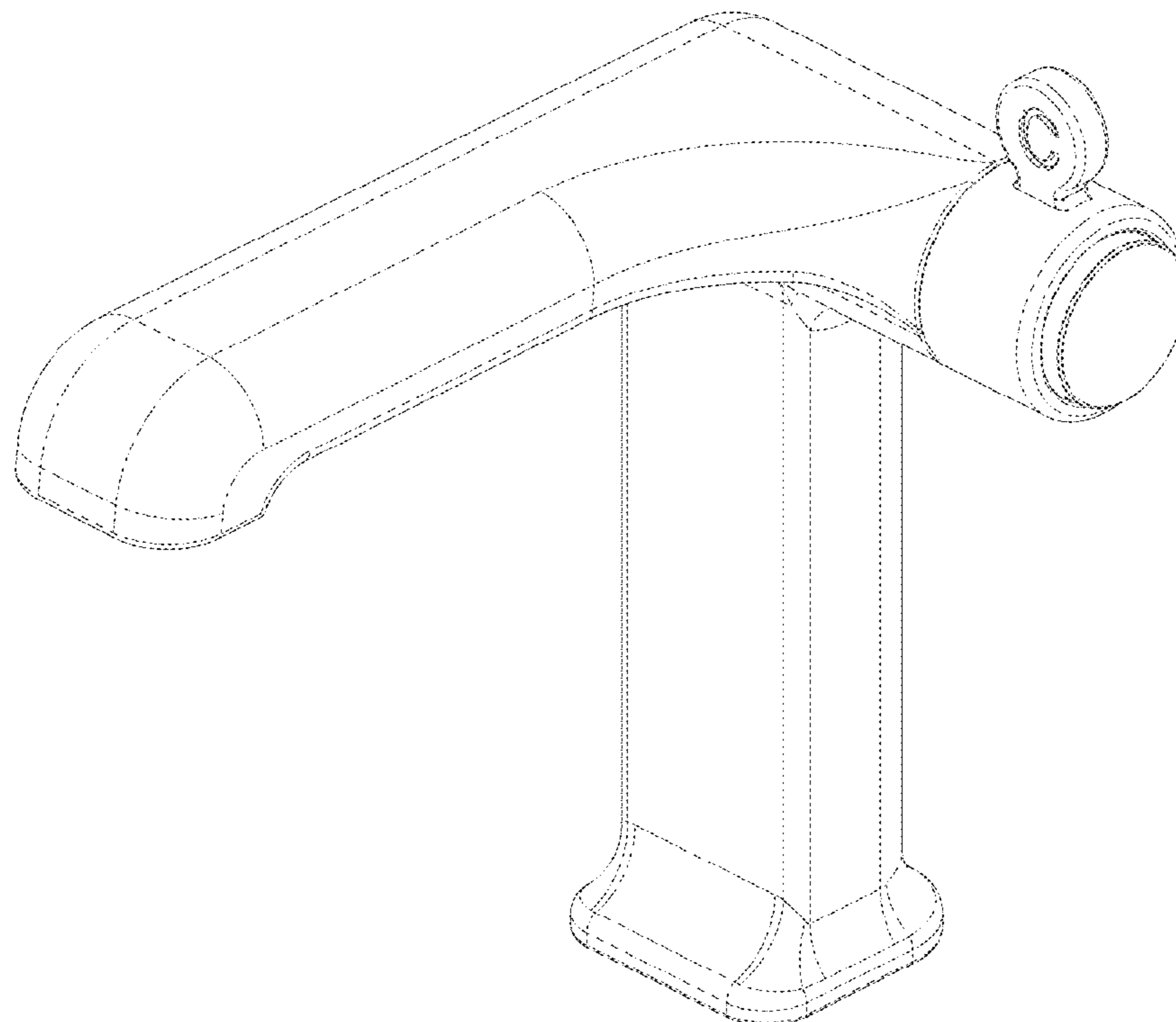
FIG. 4 is a left side view thereof;

FIG. 5 is a rear view thereof;

FIG. 6 is a right side view thereof; and,

FIG. 7 is a top plan view thereof.

1 Claim, 4 Drawing Sheets



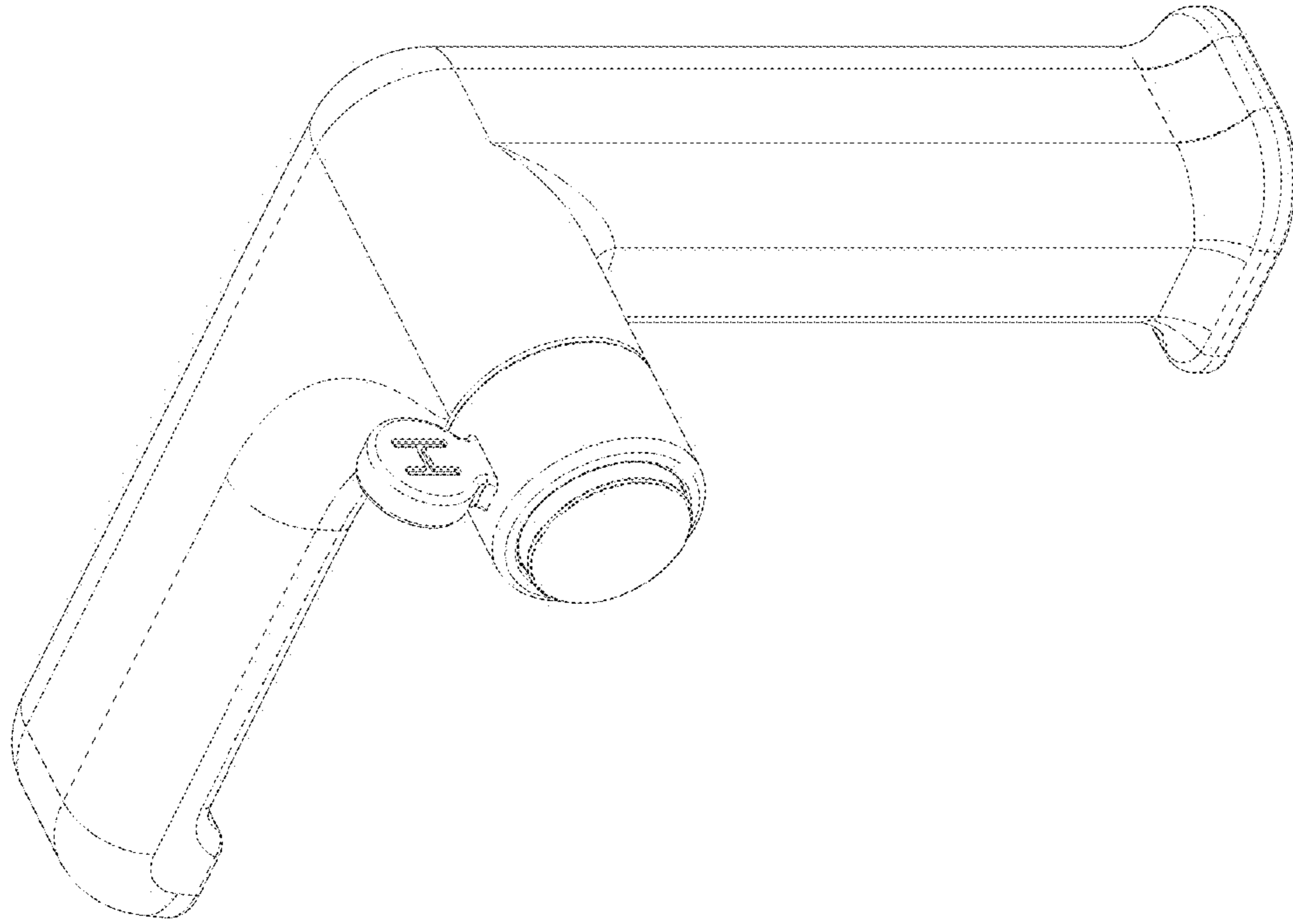


FIG - 2

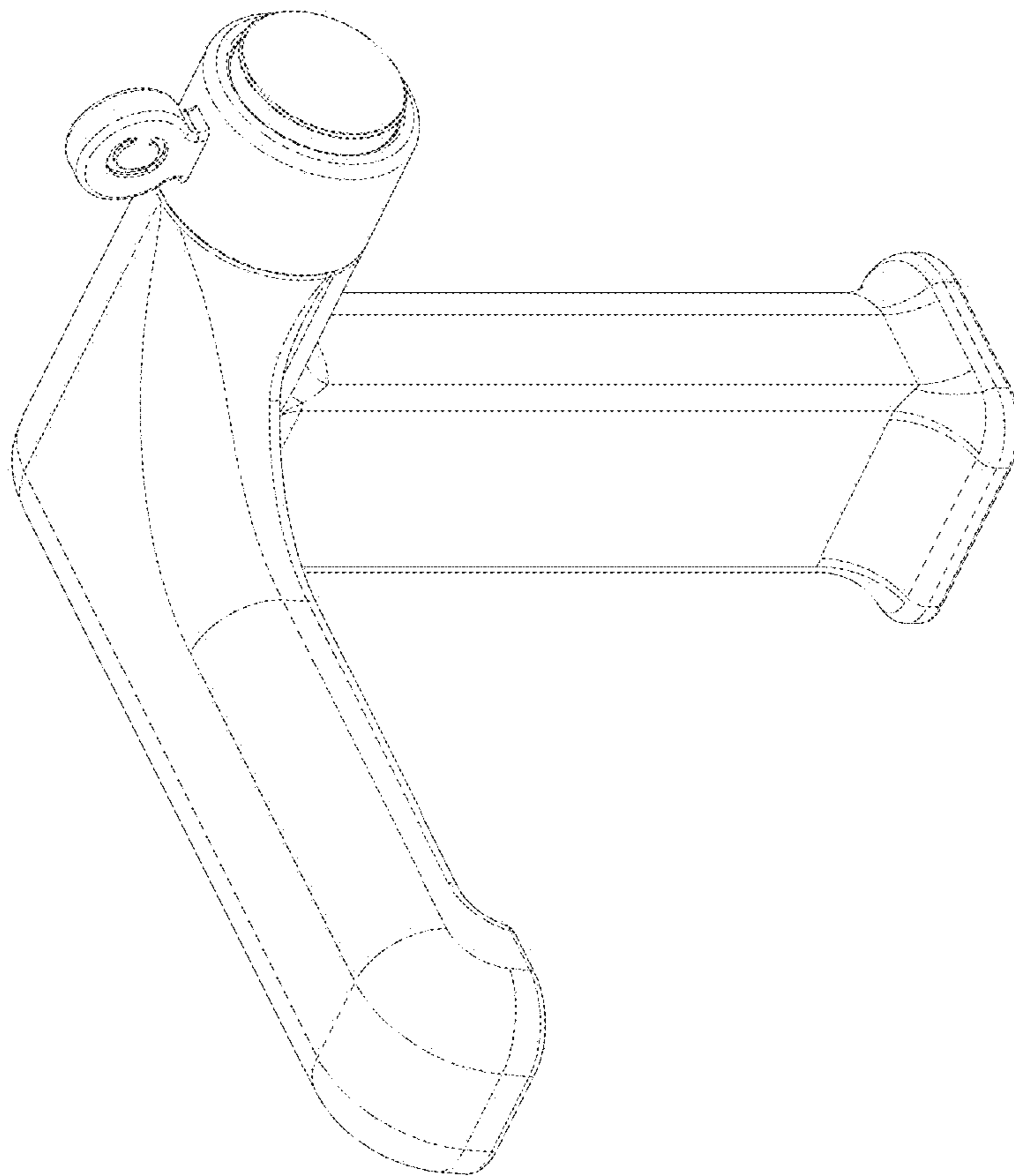


FIG - 1

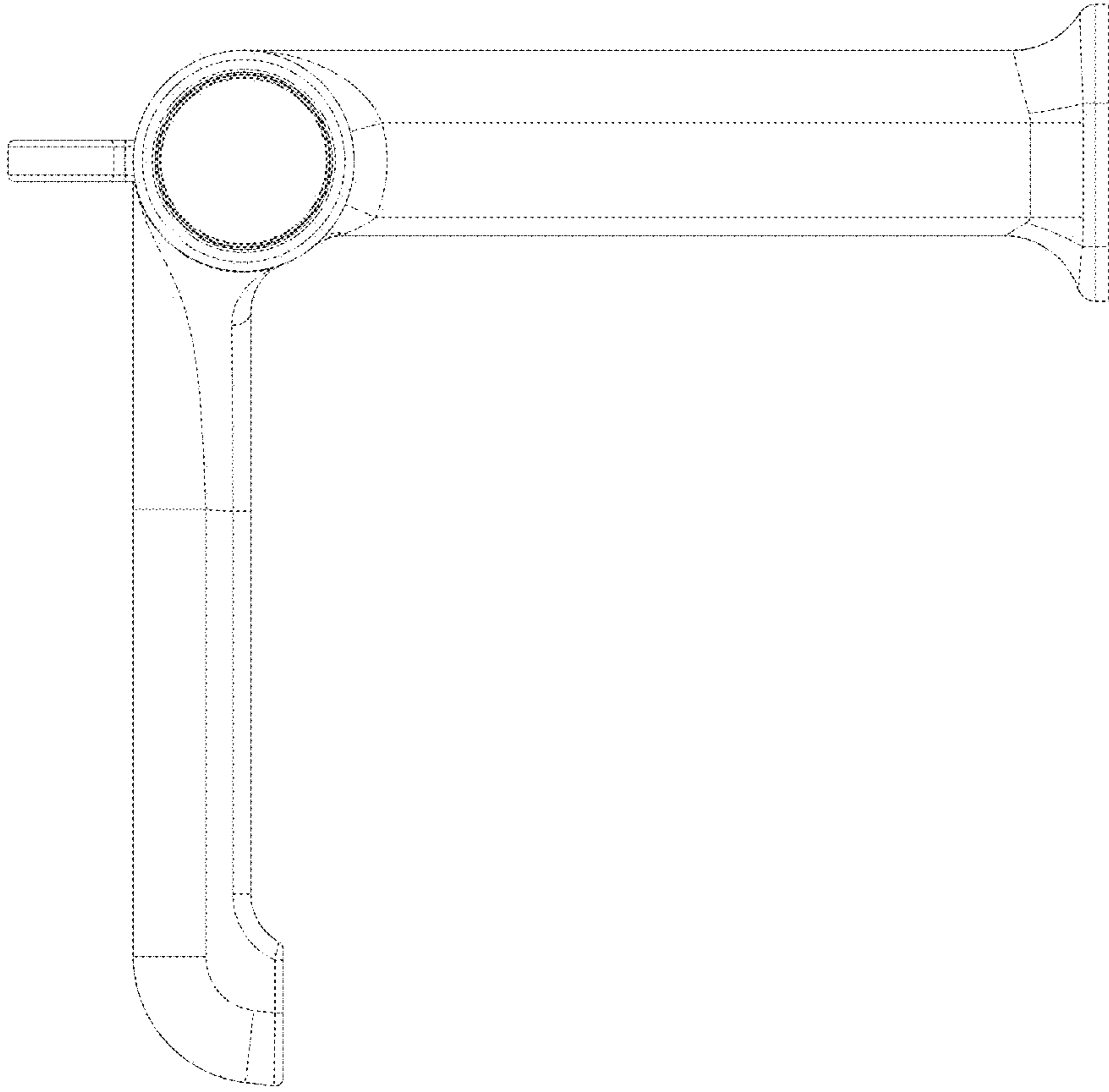


FIG -4

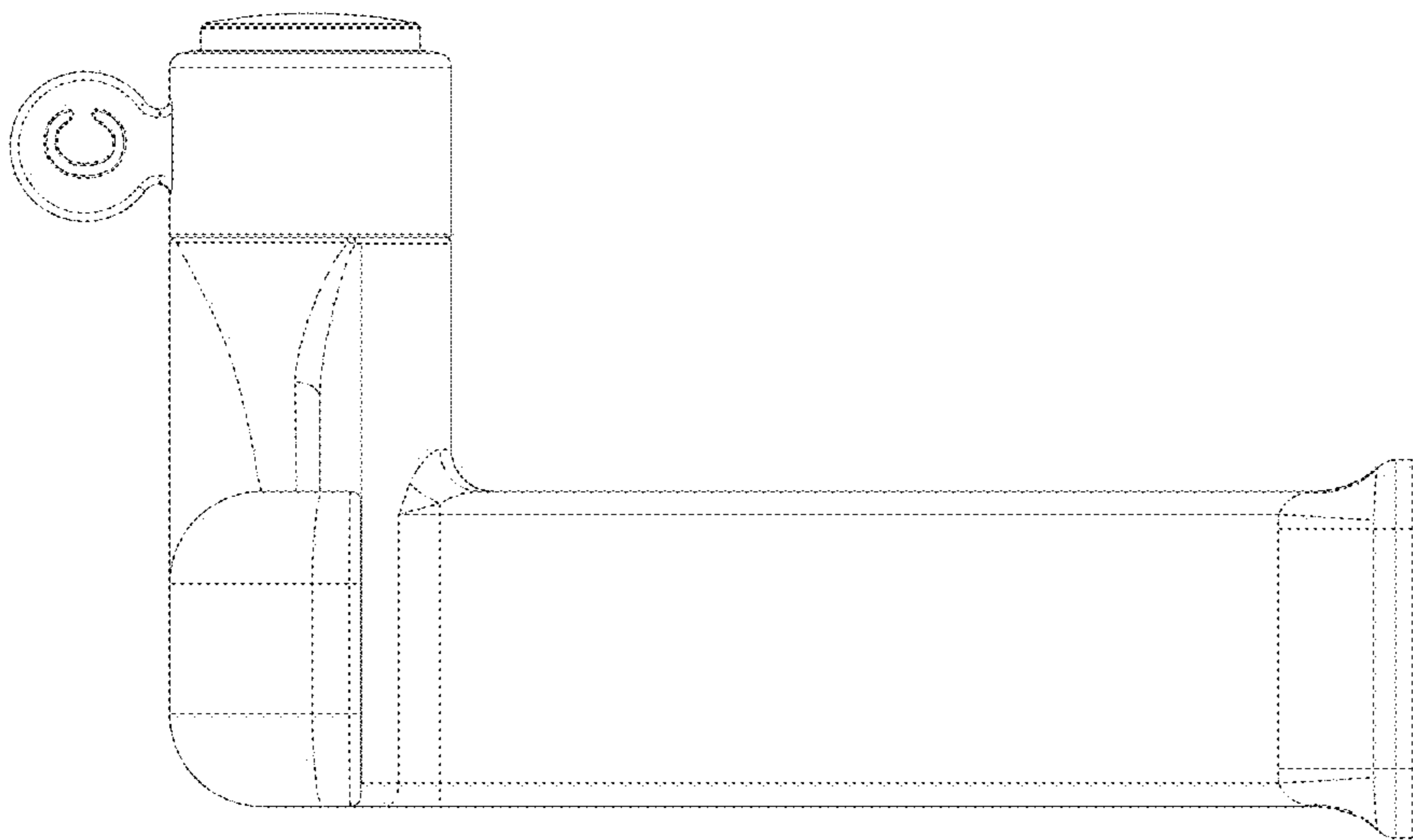


FIG -3

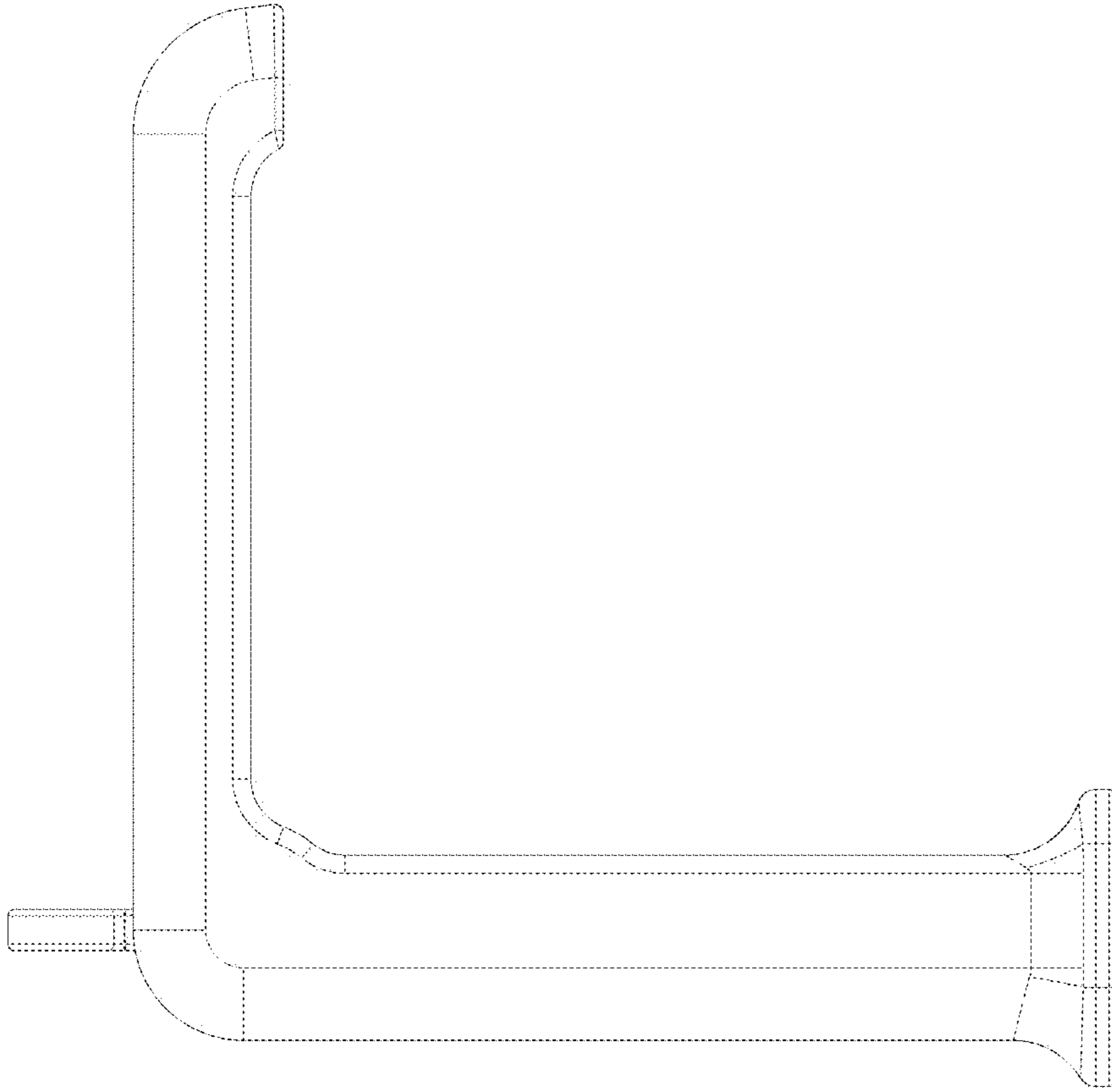


FIG-6

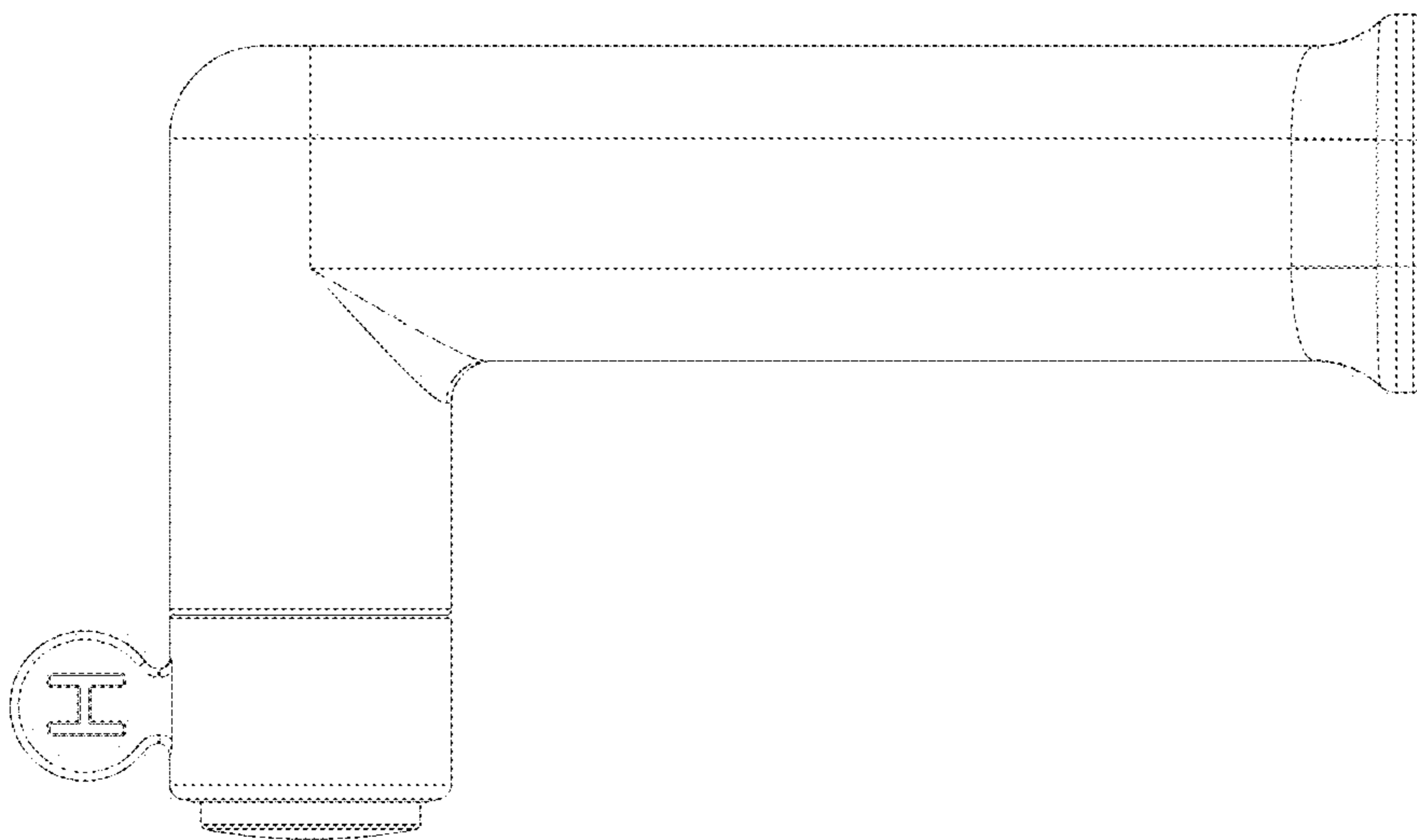


FIG-5

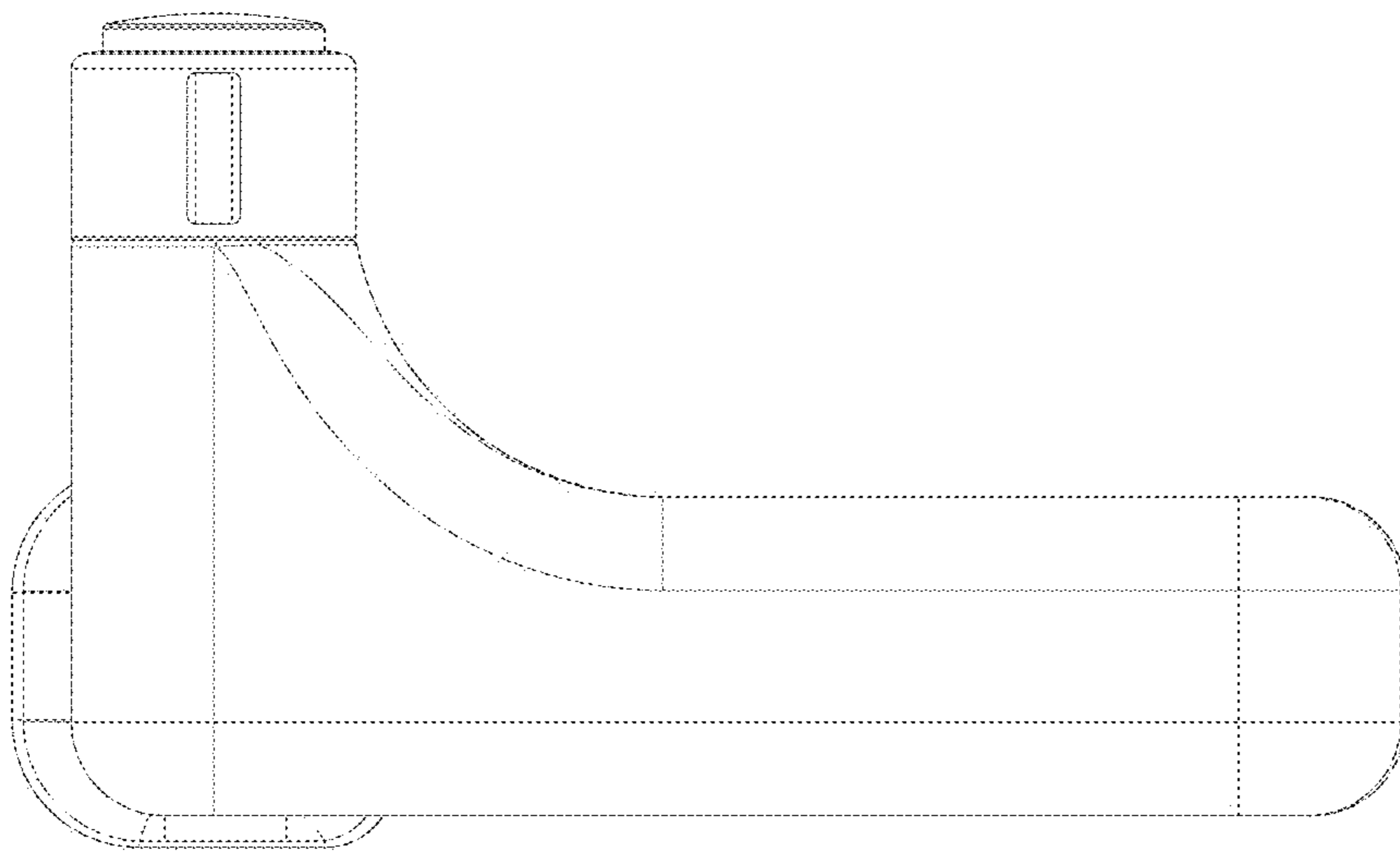


FIG -7