



US00D940827S

(12) **United States Design Patent** (10) **Patent No.:** **US D940,827 S**  
**Shieh** (45) **Date of Patent:** **\*\* Jan. 11, 2022**

(54) **FAUCET**

FOREIGN PATENT DOCUMENTS

(71) Applicant: **Horng Lai Industrial Co., Ltd.**, Chang Hua Hsien (TW)

CN 303980093 \* 12/2016

(72) Inventor: **Ming-Dang Shieh**, Chang Hua Hsien (TW)

OTHER PUBLICATIONS

(73) Assignee: **Horng Lai Industrial Co., Ltd.**, Chang Hua-Hsien (TW)

Kingston Brass CC1008T1 Heritage 3<sup>3</sup>/<sub>8</sub>-Inch Wall-Mount Vintage Leg Tub Filler with Hand Shower, first available Aug. 28, 2008 [online], [site visited Aug. 23, 2021 ]. Available from internet, URL:< https://www.amazon.com/Kingston-Brass-CC1008T1-Heritage-Wall-Mount/dp/B001F0OCLW> (Year: 2008).\*

(\*\*) Term: **15 Years**

Quick Fitting Inc.\_ Push-To-Connect Pipe Fittings, announce date Jul. 14, 2008 [online], [site visited Aug. 23, 2021 ]. Available from internet, URL:< https://www.achrnews.com/articles/107638-quick-fitting-inc-push-to-connect-pipe-fittings> (Year: 2008).\*

(21) Appl. No.: **29/717,577**

(22) Filed: **Dec. 18, 2019**

(Continued)

(51) **LOC (13) Cl.** ..... **23-01**

(52) **U.S. Cl.**  
USPC ..... **D23/238; D23/259; D23/262**

(58) **Field of Classification Search**  
USPC ..... D23/238-244, 252, 254-255, 257, 259, D23/262  
CPC .... F16K 31/602; F16K 31/605; F16K 31/607; E03C 1/0412

*Primary Examiner* — Barbara Fox  
*Assistant Examiner* — Jamaal Rasheed  
(74) *Attorney, Agent, or Firm* — Alan D. Kamrath; Karin L. Williams; Mayer & Williams PC

See application file for complete search history.

(57) **CLAIM**

The ornamental design for a faucet, as shown and described.

(56) **References Cited**

**DESCRIPTION**

U.S. PATENT DOCUMENTS

D516,686 S *	3/2006	Wilk, Jr. ....	D23/262
D517,176 S *	3/2006	Wilk, Jr. ....	D23/262
D591,830 S *	5/2009	Shieh .....	D23/238
D630,305 S *	1/2011	Adams .....	D23/259
D731,628 S *	6/2015	Guest .....	D23/262
D746,951 S *	1/2016	Gledhill .....	D23/259
D746,954 S *	1/2016	Gledhill .....	D23/259
D746,956 S *	1/2016	Castrigno .....	D23/262
D823,988 S *	7/2018	Soulier .....	D23/238
D886,246 S *	6/2020	Wilson .....	D23/259
D924,375 S *	7/2021	Decaria .....	D23/262
2017/0152649 A1 *	6/2017	Chang .....	E03C 1/08

FIG. 1 is a perspective view of a faucet showing my new design;

FIG. 2 is a front elevational view thereof;

FIG. 3 is a rear elevational view thereof;

FIG. 4 is a left side elevational view thereof;

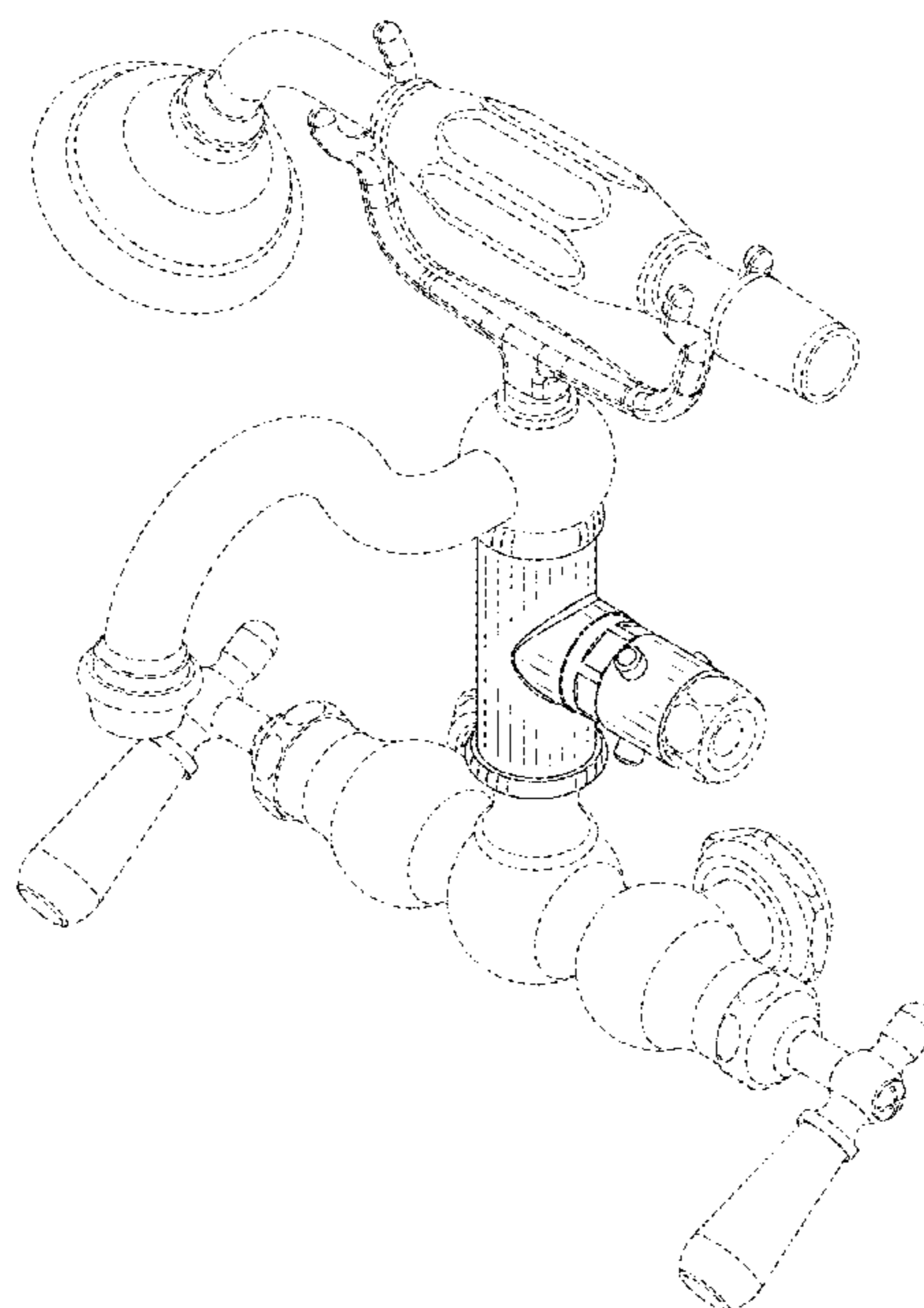
FIG. 5 is a right side elevational view thereof;

FIG. 6 is a top plan view thereof; and,

FIG. 7 is a bottom plan view thereof.

The broken lines in the drawings depict portions of the faucet that form no part of the claimed design.

**1 Claim, 7 Drawing Sheets**



(56)

**References Cited**

OTHER PUBLICATIONS

Tailonz Pneumatic Black  $\frac{3}{8}$  inch OD Tee Plastic Push to Connect Fittings, first available Apr. 24, 2019 [online], [site visited Aug. 23, 2021]. Available from internet, URL:< <https://www.amazon.com/Tailonz-Pneumatic-Plastic-Connect-Fittings/dp/B07R2CQKKJ>> (Year: 2019).\*

\* cited by examiner

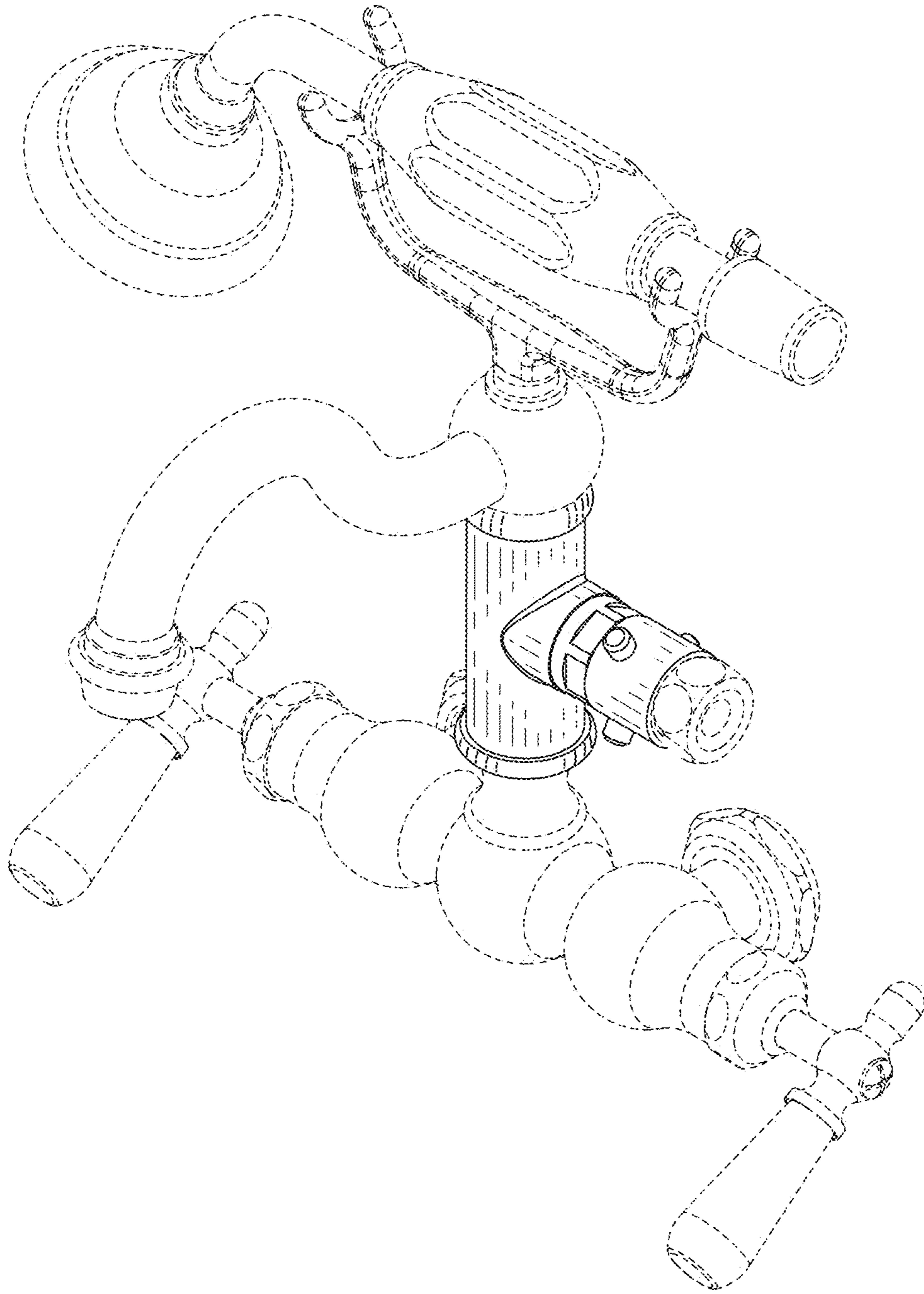


FIG. 1

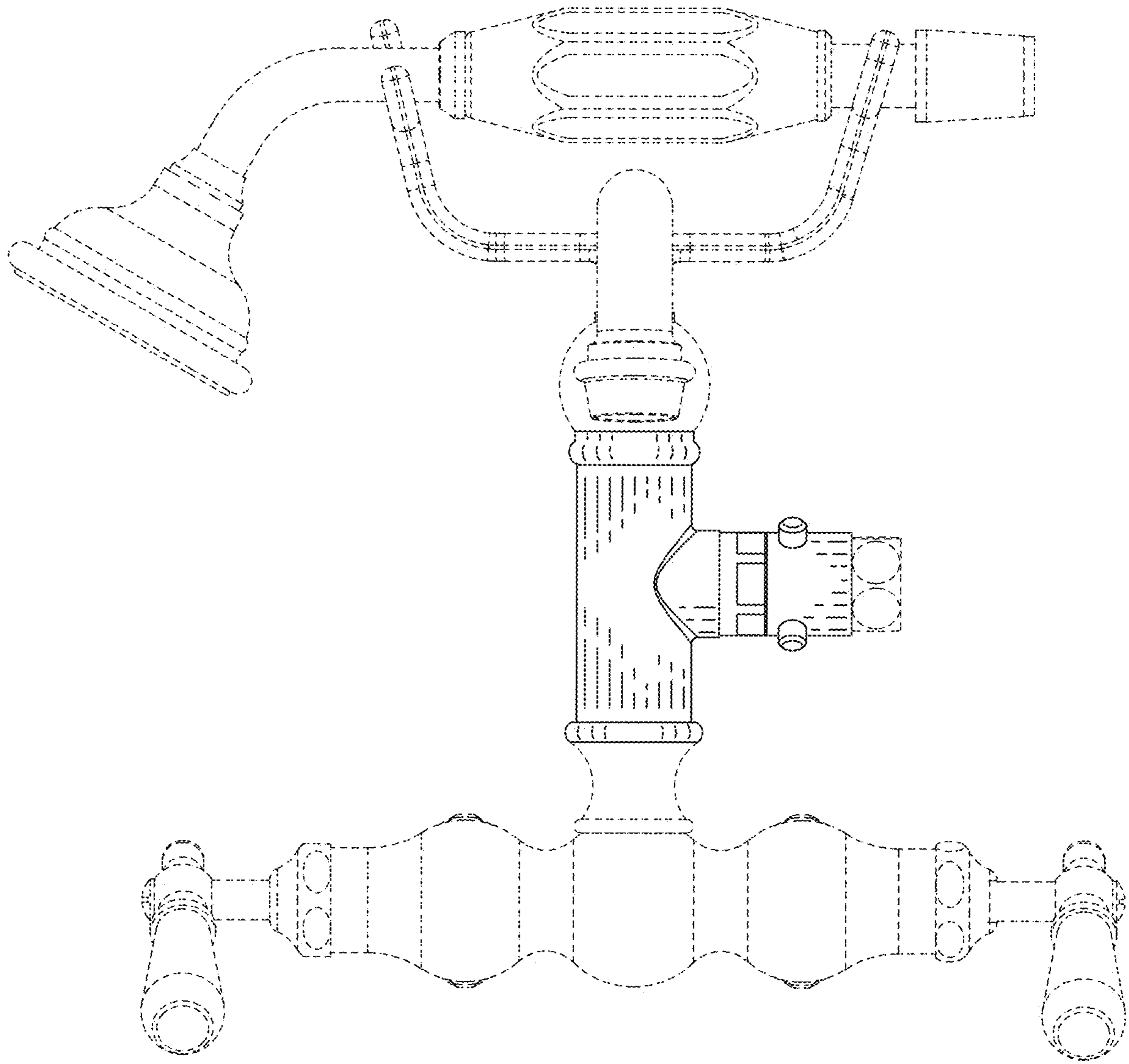


FIG. 2

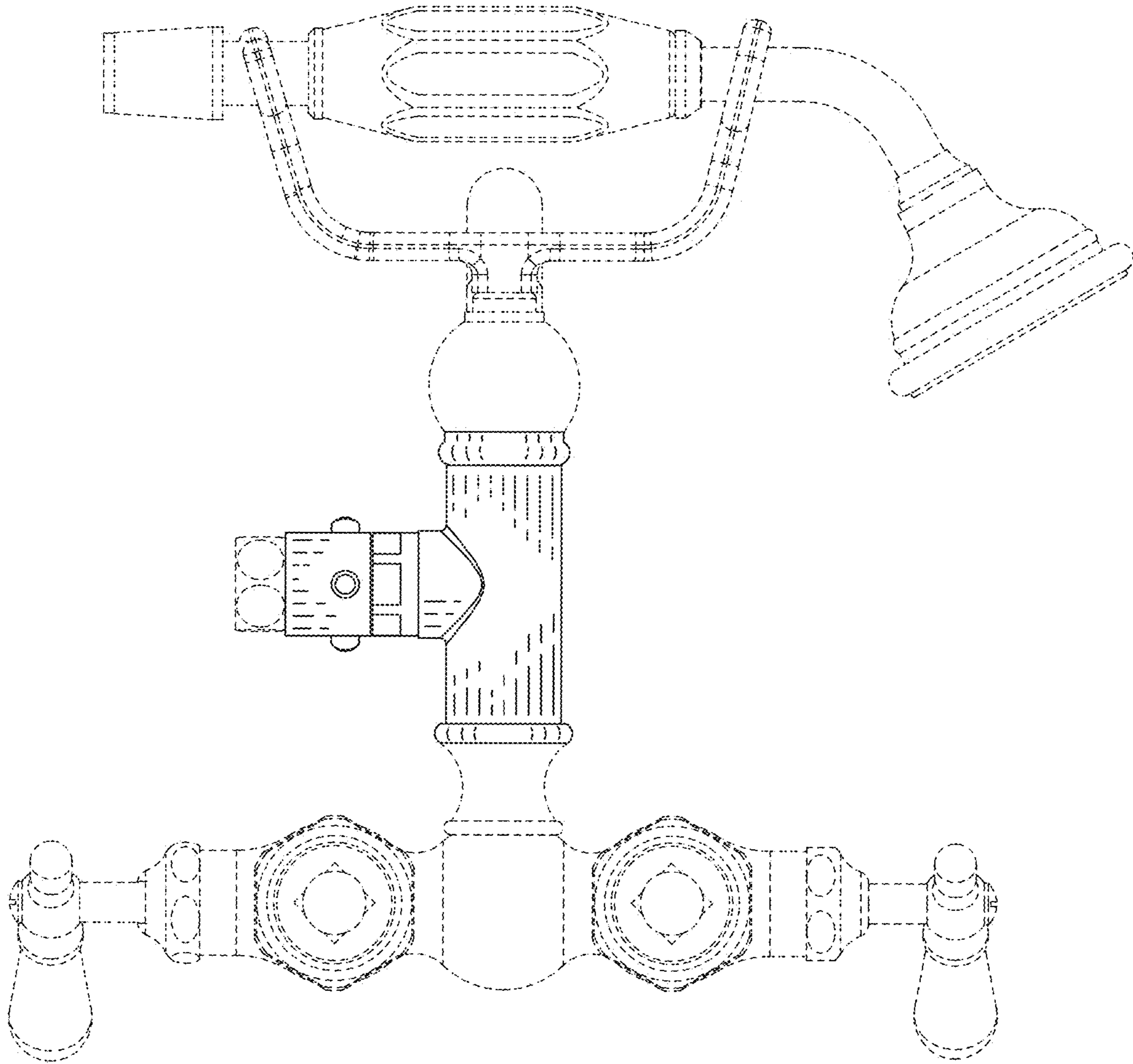


FIG. 3

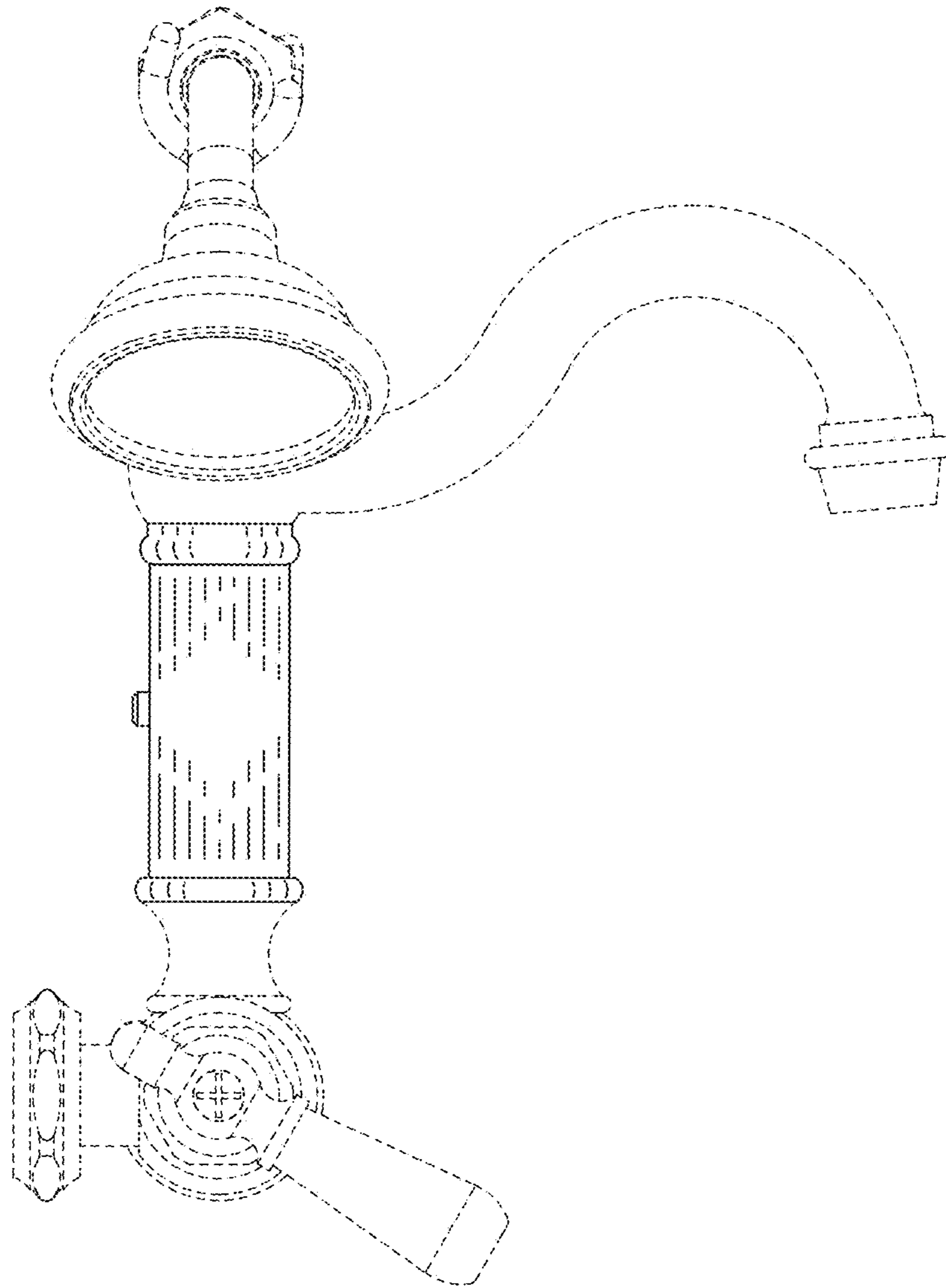


FIG. 4

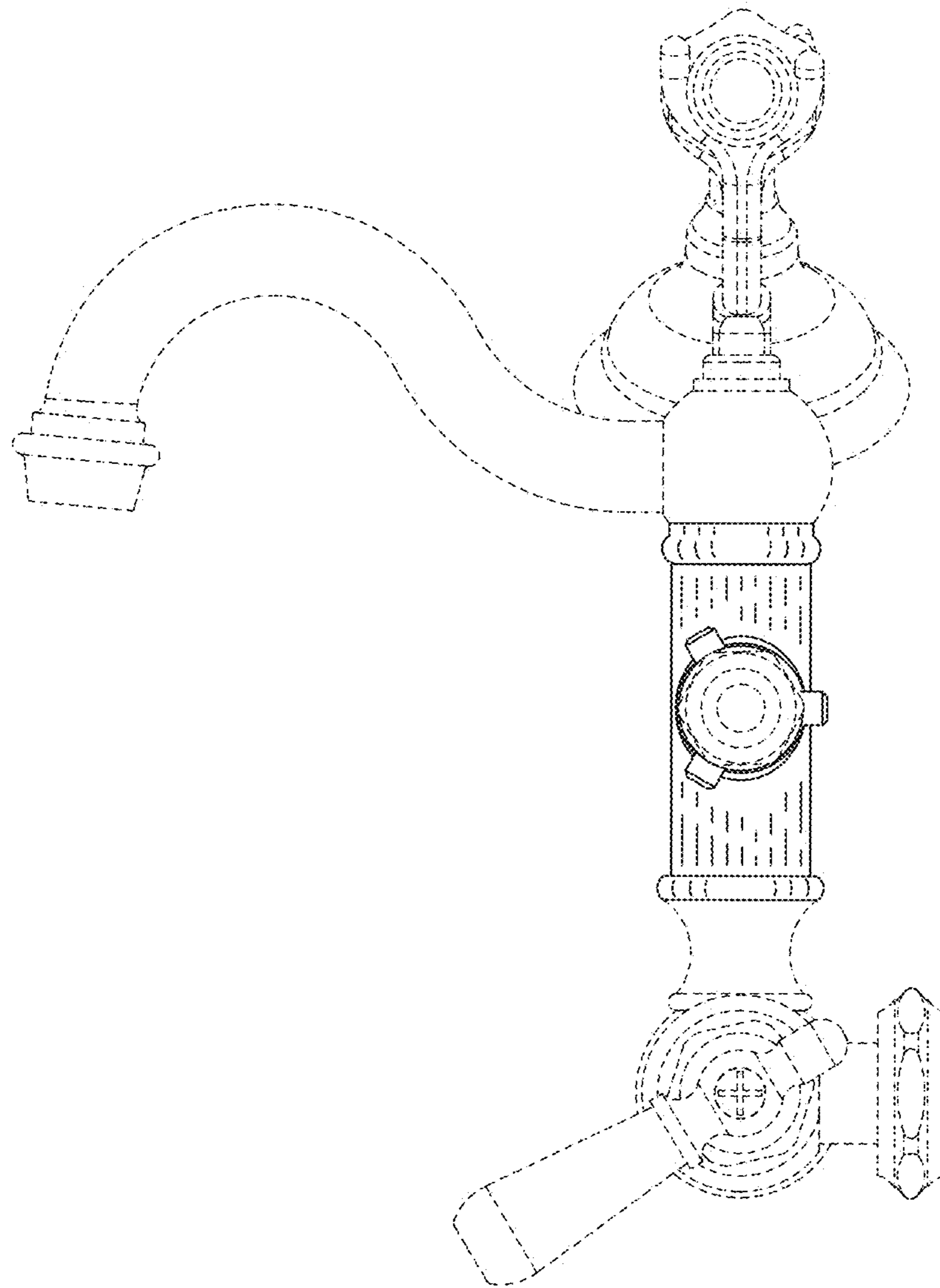


FIG. 5

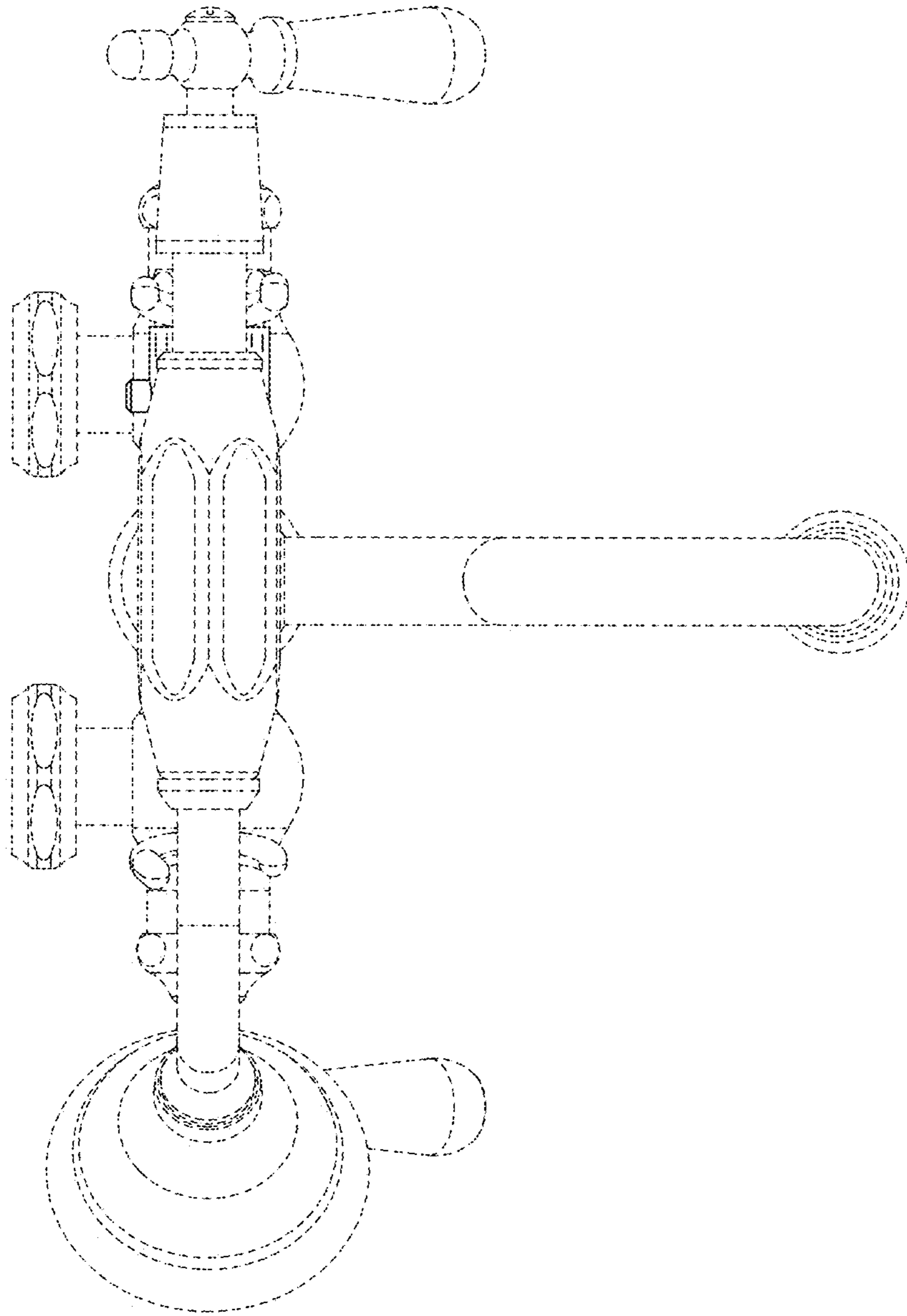


FIG. 6



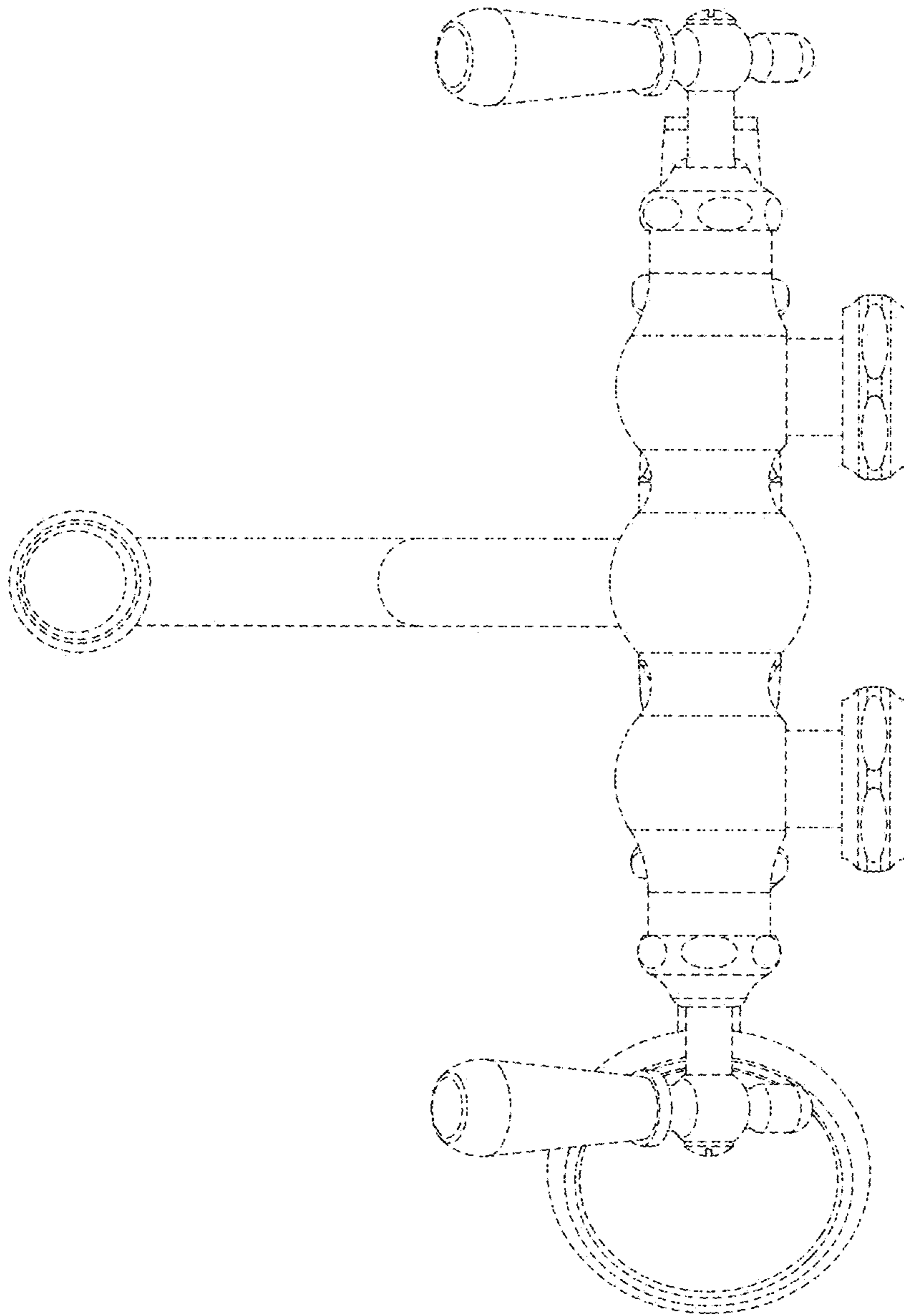


FIG. 7