



US00D940826S

(12) **United States Design Patent** (10) **Patent No.:** **US D940,826 S**
Lazarini et al. (45) **Date of Patent:** **** Jan. 11, 2022**

(54) **FAUCET**

D840,513 S * 2/2019 Chen D23/255
D861,133 S * 9/2019 Chen D23/238
D861,138 S * 9/2019 Chen D23/255

(71) Applicant: **DELTA FAUCET COMPANY,**
Indianapolis, IN (US)

FOREIGN PATENT DOCUMENTS

(72) Inventors: **Alejandra Lazarini,** Carmel, IN (US);
Kristen Weber, Park Ridge, IL (US)

CA 146996 * 8/2012
CA 157195 * 6/2014
IN 248213-0001 * 9/2012

(73) Assignee: **DELTA FAUCET COMPANY,**
Indianapolis, IN (US)

OTHER PUBLICATIONS

(**) Term: **15 Years**

Delta Faucet Cassidy Single Hole Bathroom Faucet, announced Jul. 21, 2012[online], [site visited Mar. 8, 2021]. Available from internet, URL:<<https://www.amazon.com/Single-Handle-Waterfall-Bathroom-Stainless-598LF-SSMPU/dp/B008JVLJVQ>> (Year: 2012).*

(21) Appl. No.: **29/710,387**

* cited by examiner

(22) Filed: **Oct. 23, 2019**

(51) **LOC (13) Cl.** **23-01**

(52) **U.S. Cl.**
USPC **D23/238**

(58) **Field of Classification Search**
USPC D23/238-244, 252, 254-255, 257;
D8/307-308
CPC F16K 31/602; F16K 31/605; F16K 31/607;
E03C 1/0412
See application file for complete search history.

Primary Examiner — Barbara Fox

Assistant Examiner — Jamaal Rasheed

(74) *Attorney, Agent, or Firm* — Nirav D. Parikh; Edgar A. Zarins

(57) **CLAIM**

The ornamental design for a faucet, as shown and described.

DESCRIPTION

(56) **References Cited**

U.S. PATENT DOCUMENTS

D576,710 S * 9/2008 Fritz D23/238
D586,429 S * 2/2009 Fritz D23/238
D594,532 S * 6/2009 Schoenherr D23/238
D680,622 S * 4/2013 Berger D23/238
D683,428 S * 5/2013 Kwok D23/238
D683,823 S * 6/2013 Kwok D23/238
D717,401 S * 11/2014 Fritz D23/238
D827,106 S * 8/2018 Rexach D23/255
D839,998 S * 2/2019 Chen D23/255

FIG. 1 is a front perspective view of a faucet showing our new design;

FIG. 2 is a rear perspective view thereof;

FIG. 3 is a front elevational view thereof;

FIG. 4 is a left side view thereof;

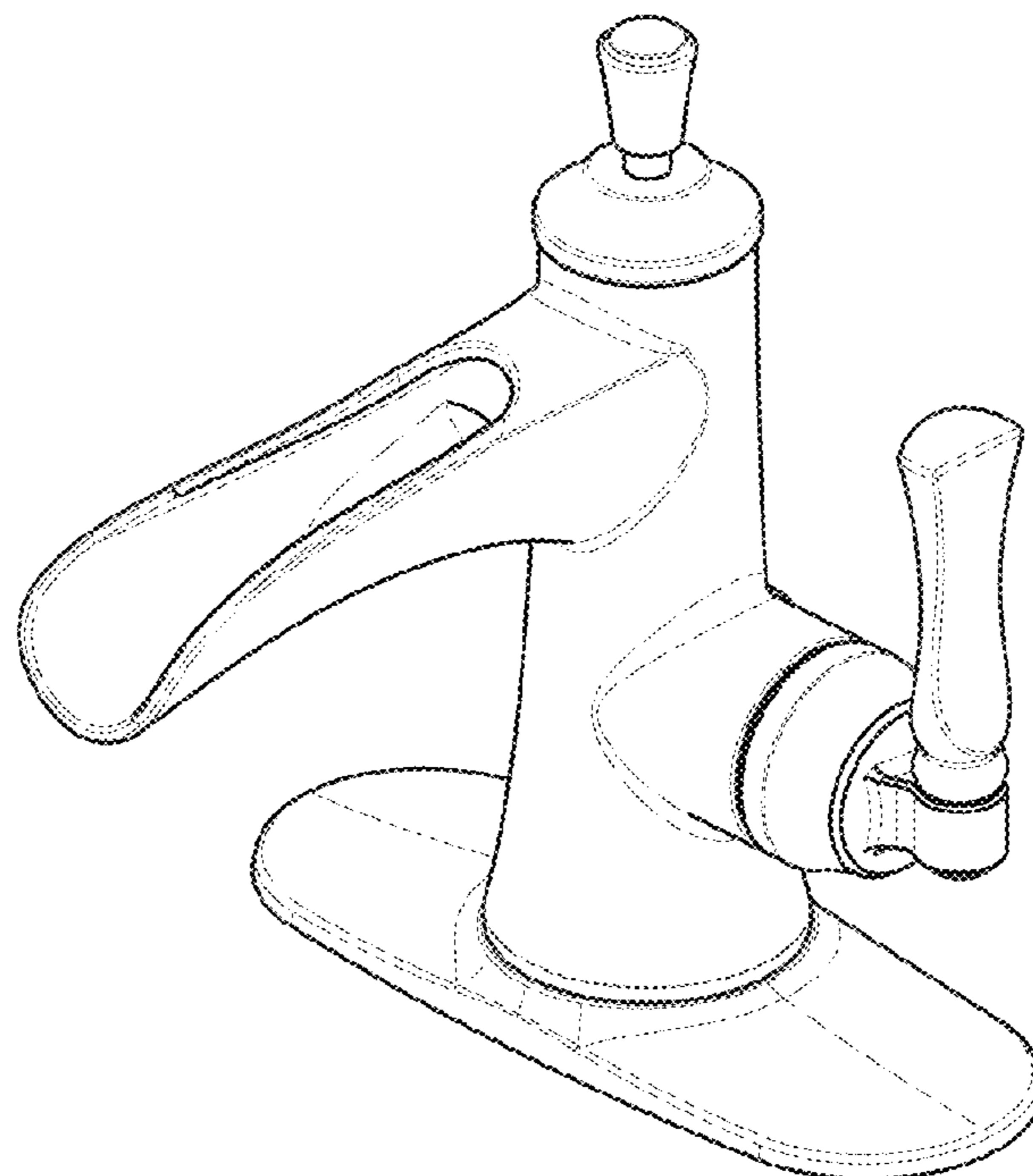
FIG. 5 is a rear view thereof;

FIG. 6 is a right side view thereof;

FIG. 7 is a top plan view thereof; and,

FIG. 8 is a bottom view thereof.

1 Claim, 4 Drawing Sheets



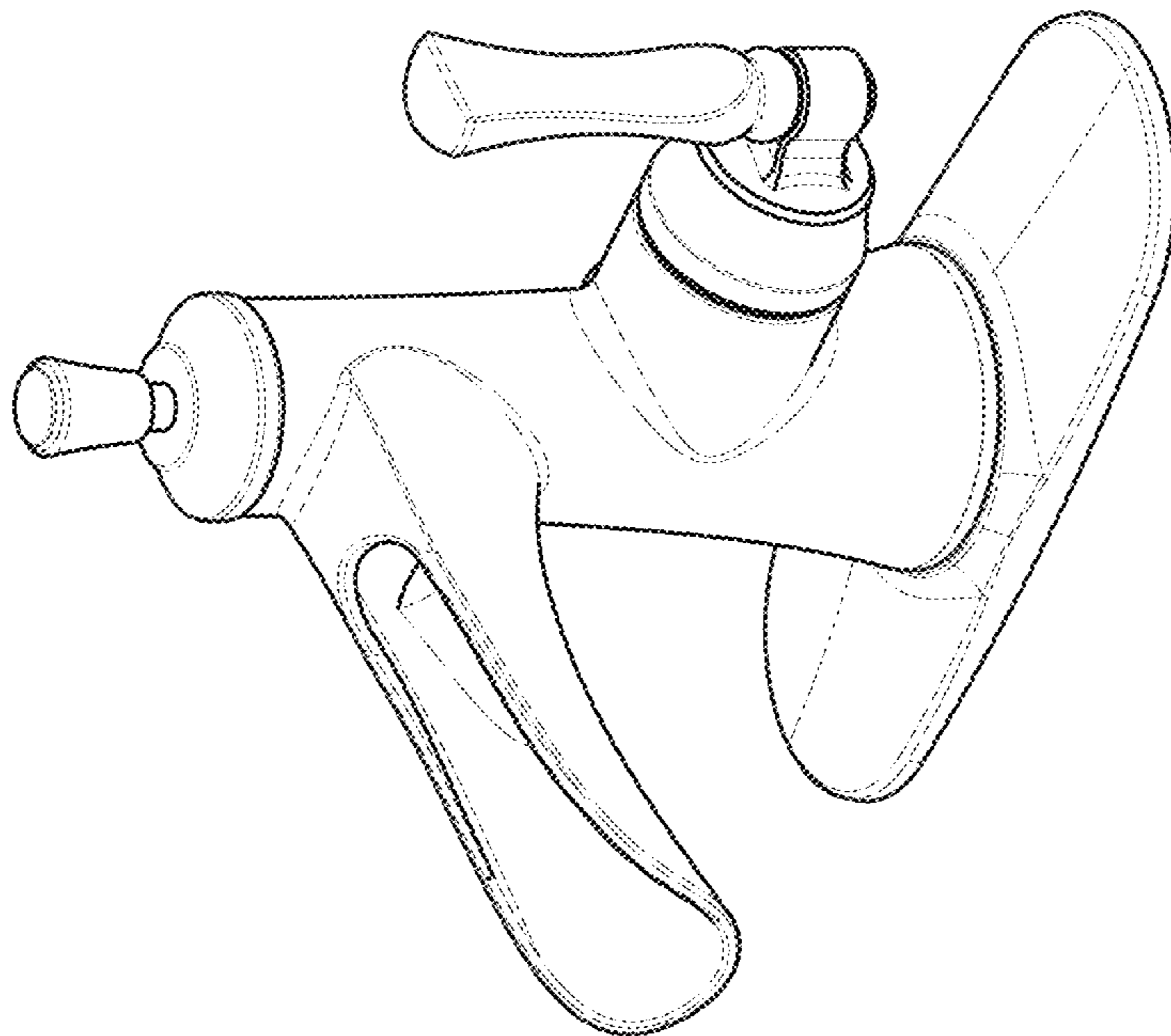


FIG - 1

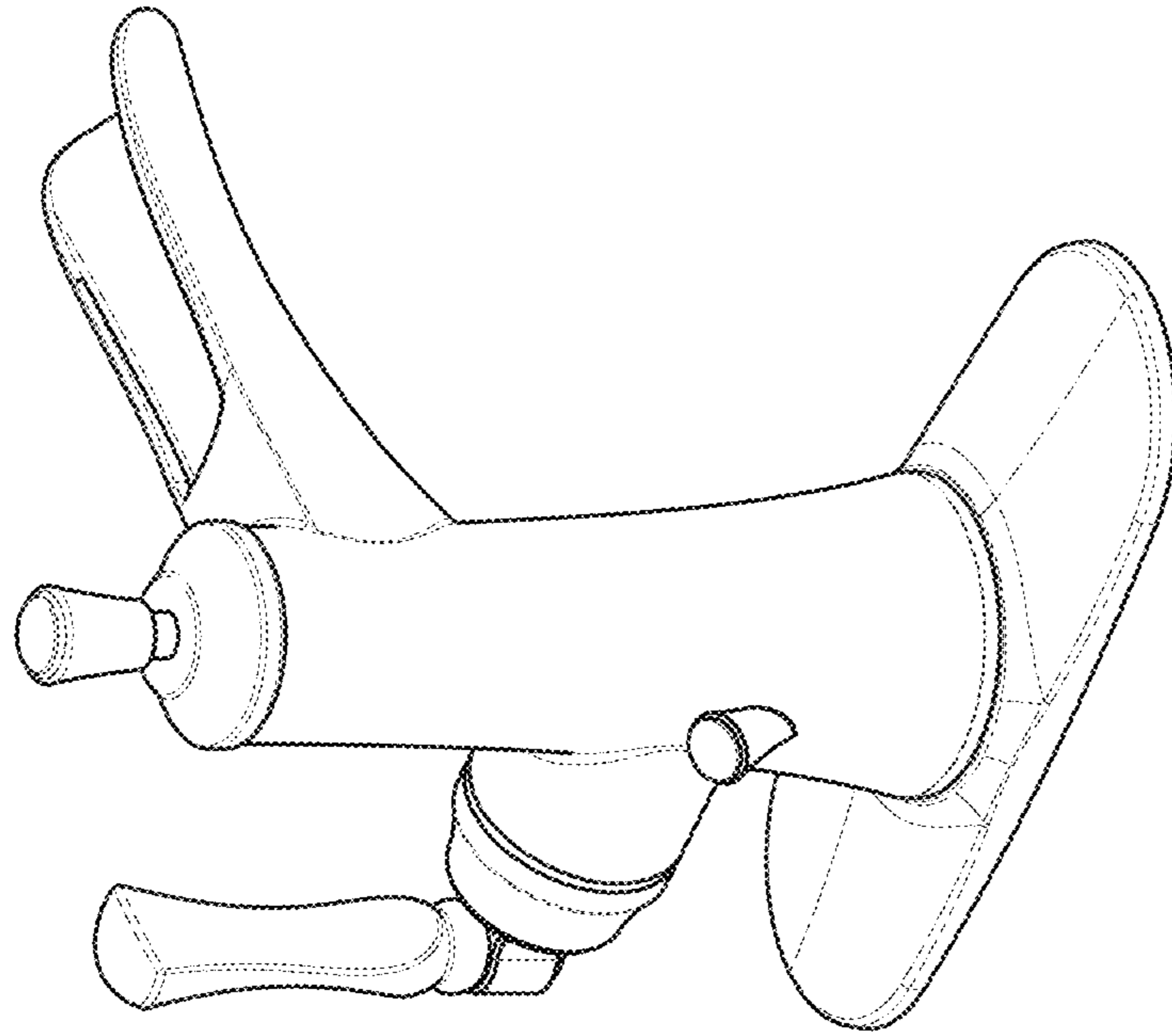


FIG - 2

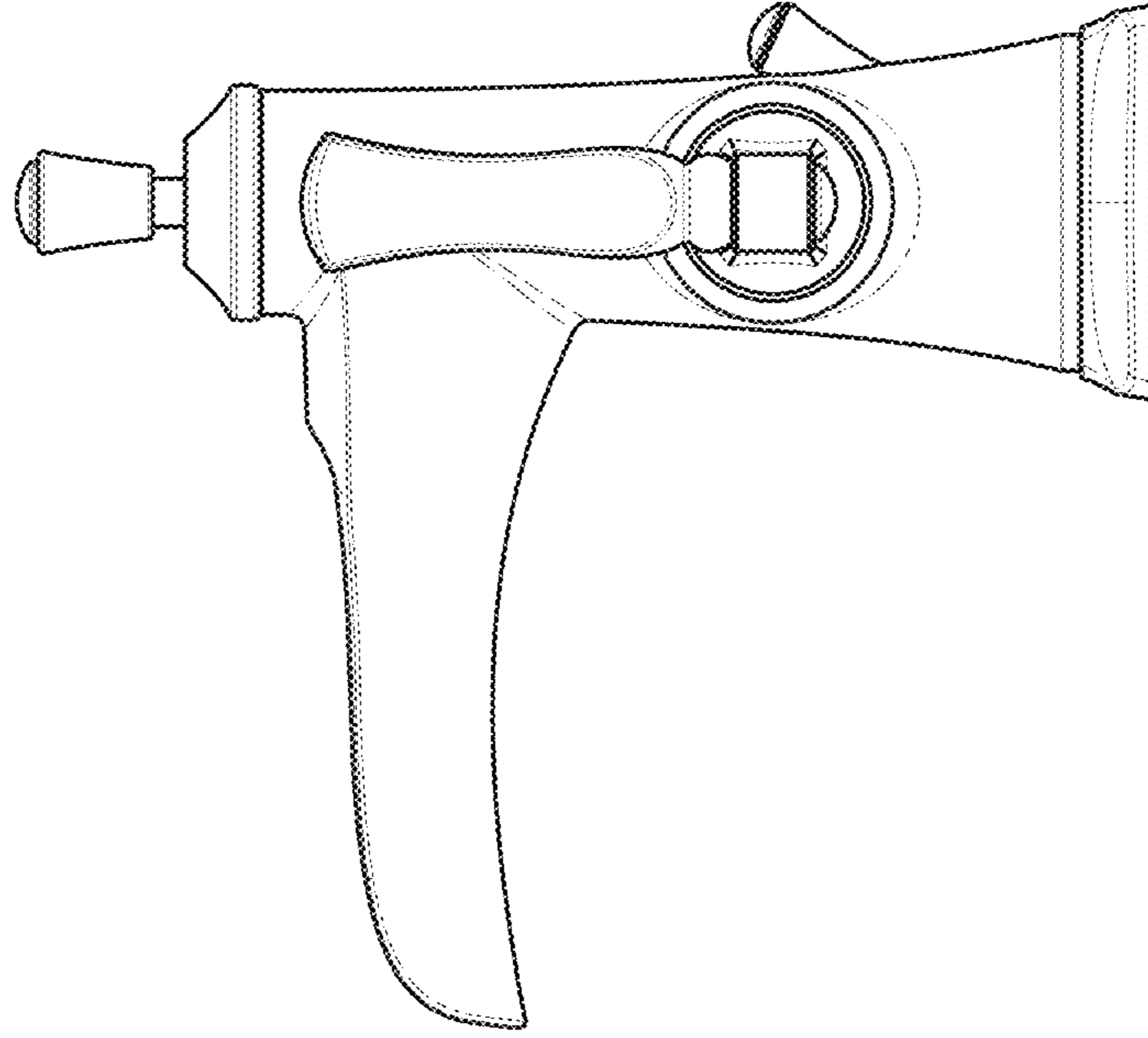


FIG - 4

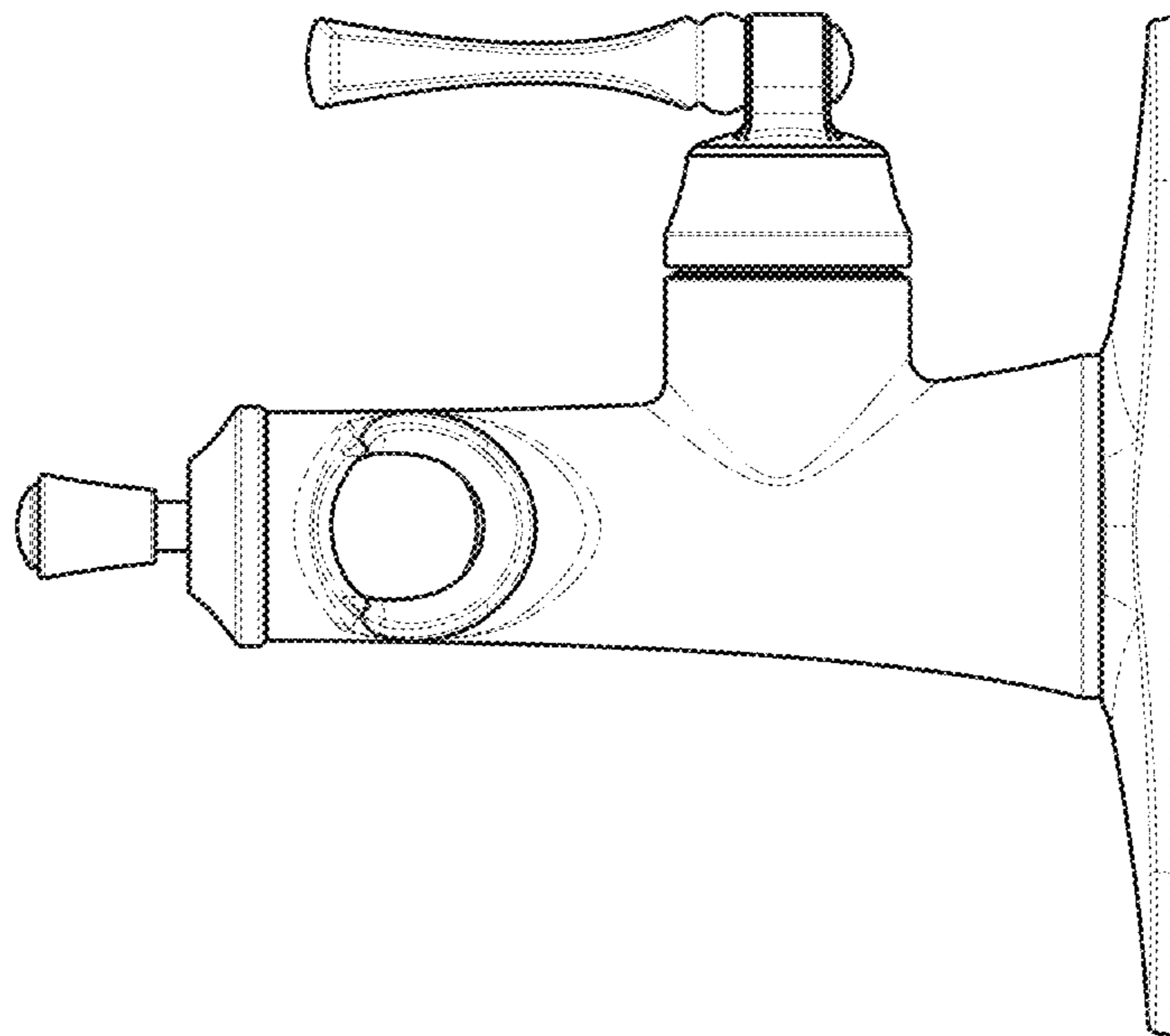


FIG - 3

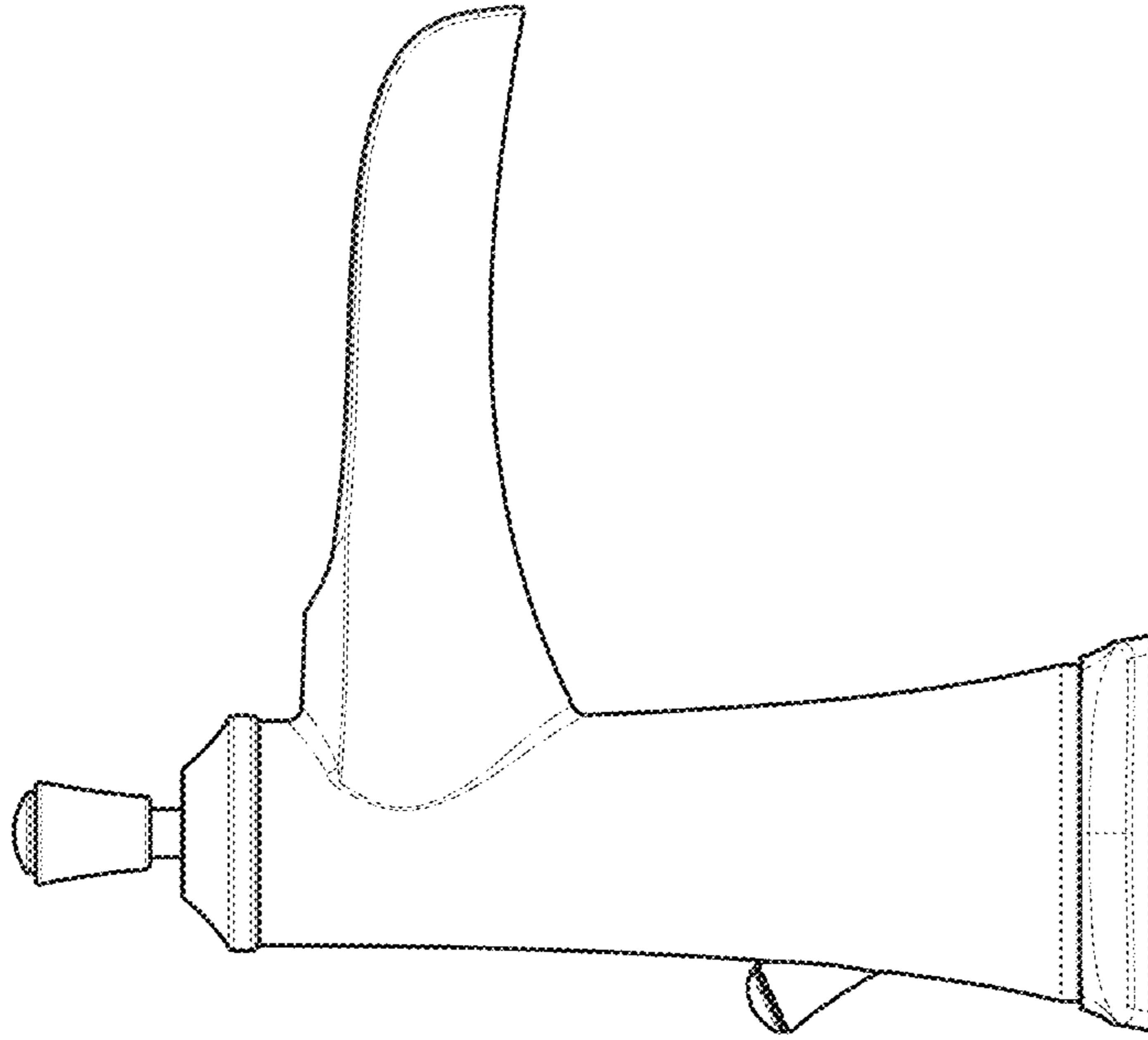


FIG - 6

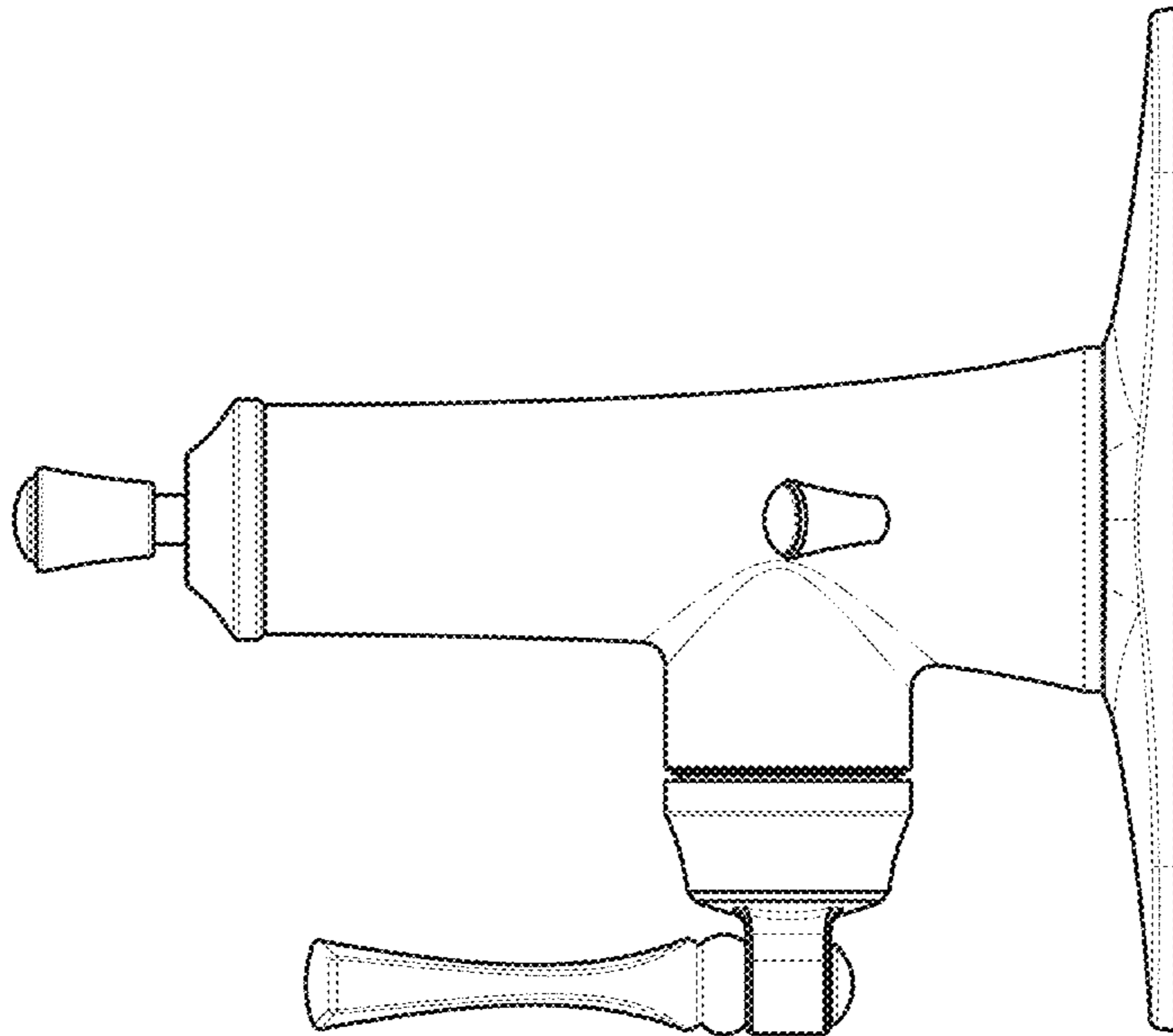


FIG - 5

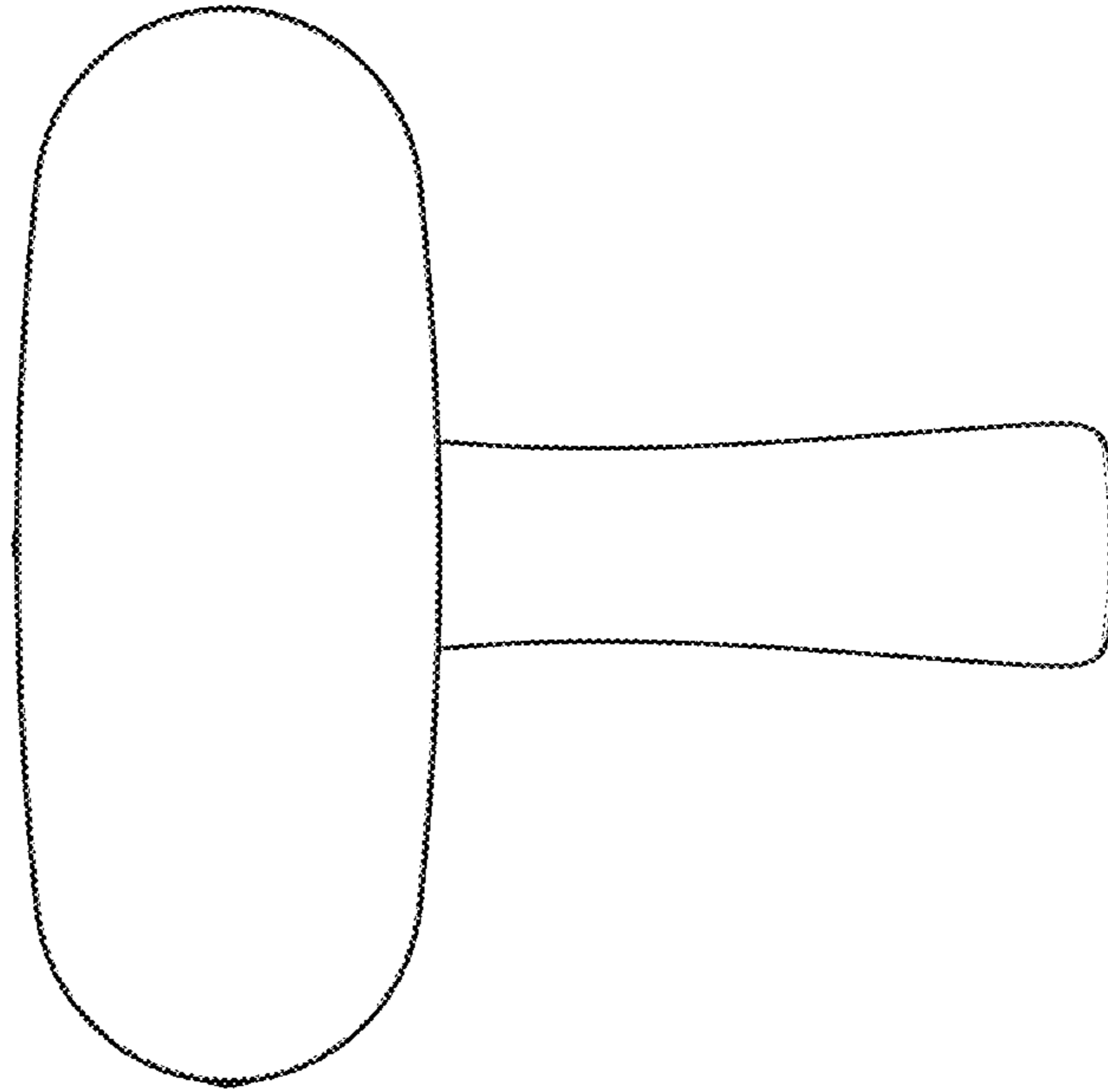


FIG - 8

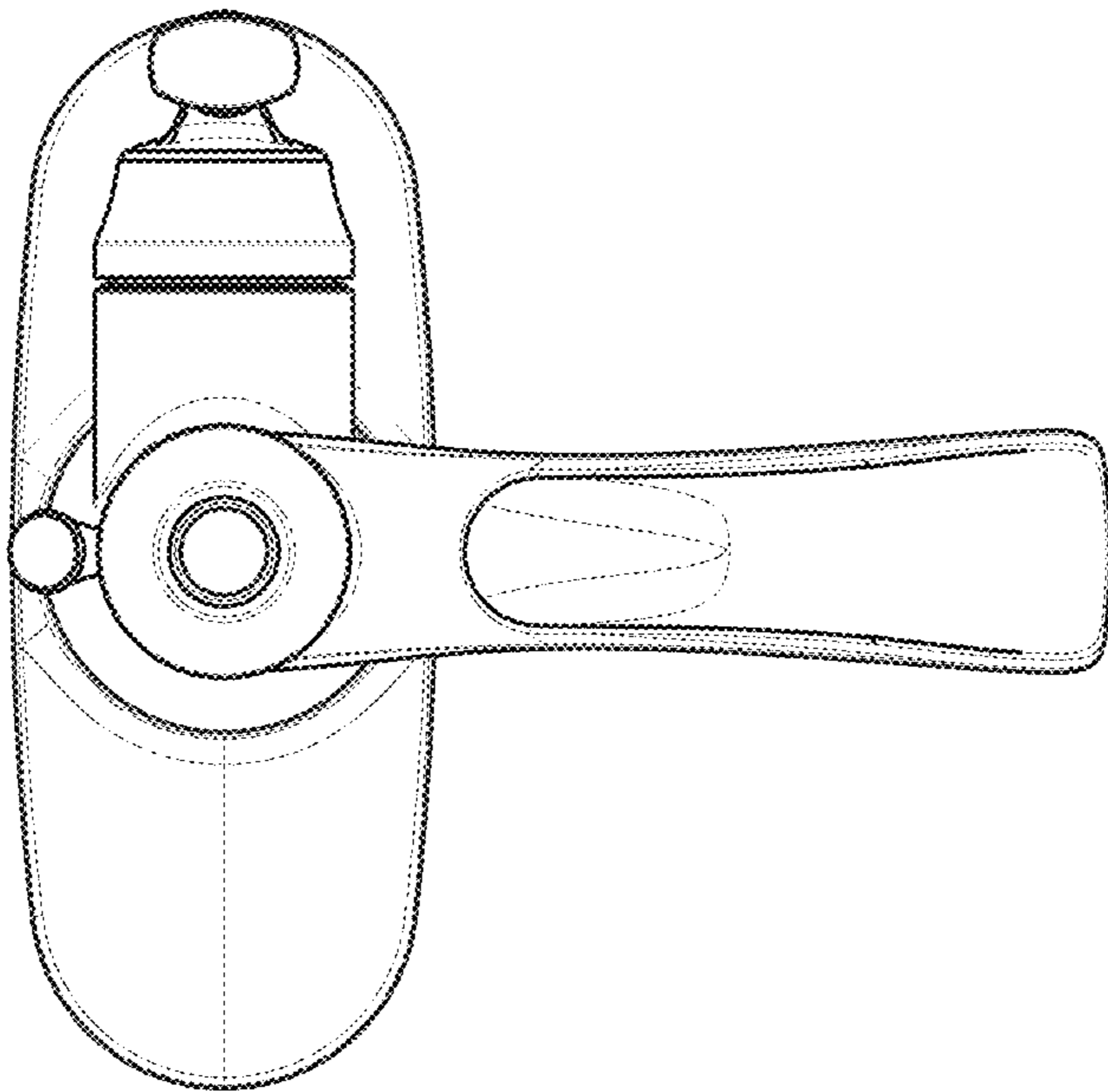


FIG - 7