



US00D940825S

(12) **United States Design Patent**  
**Qiao**

(10) **Patent No.:** **US D940,825 S**  
(45) **Date of Patent:** **\*\* Jan. 11, 2022**

(54) **SPRAYER WITH BLOWER**

(71) Applicant: **INTRADIN (SHANGHAI)**  
**MACHINERY CO., LTD.**, Shanghai  
(CN)

(72) Inventor: **Xuetao Qiao**, Shanghai (CN)

(73) Assignee: **INTRADIN (SHANGHAI)**  
**MACHINERY CO., LTD.**, Shanghai  
(CN)

(\*\*) Term: **15 Years**

(21) Appl. No.: **29/745,870**

(22) Filed: **Aug. 10, 2020**

(30) **Foreign Application Priority Data**

Jul. 28, 2020 (CN) ..... 202030418065.4

(51) **LOC (13) Cl.** ..... **23-01**

(52) **U.S. Cl.**  
USPC ..... **D23/226**

(58) **Field of Classification Search**

USPC ..... D23/207, 213, 223, 225, 226, 356, 360;  
D32/15

CPC .. B05B 5/025; B05B 5/03; B05B 5/16; B05B  
5/1691; B05B 7/00; B05B 7/0018; B05B  
7/0093; B05B 7/02; B05B 7/06; B05B  
7/062; B05B 7/064; B05B 7/12; B05B

(Continued)

(56) **References Cited**

**U.S. PATENT DOCUMENTS**

D130,838 S \* 12/1941 Guild ..... D23/356  
3,656,254 A \* 4/1972 Schmedes ..... A01M 13/00  
43/129

(Continued)

**OTHER PUBLICATIONS**

SuperHandy Fogger Machine Blower, Sep. 30, 2020, Amazon, site visited Aug. 23, 2021: <https://www.amazon.co.uk/dp/B08J84T2D8/> (Year: 2020).\*

(Continued)

*Primary Examiner* — Jack Reickel  
*Assistant Examiner* — Bobby W Jones, II

(57) **CLAIM**

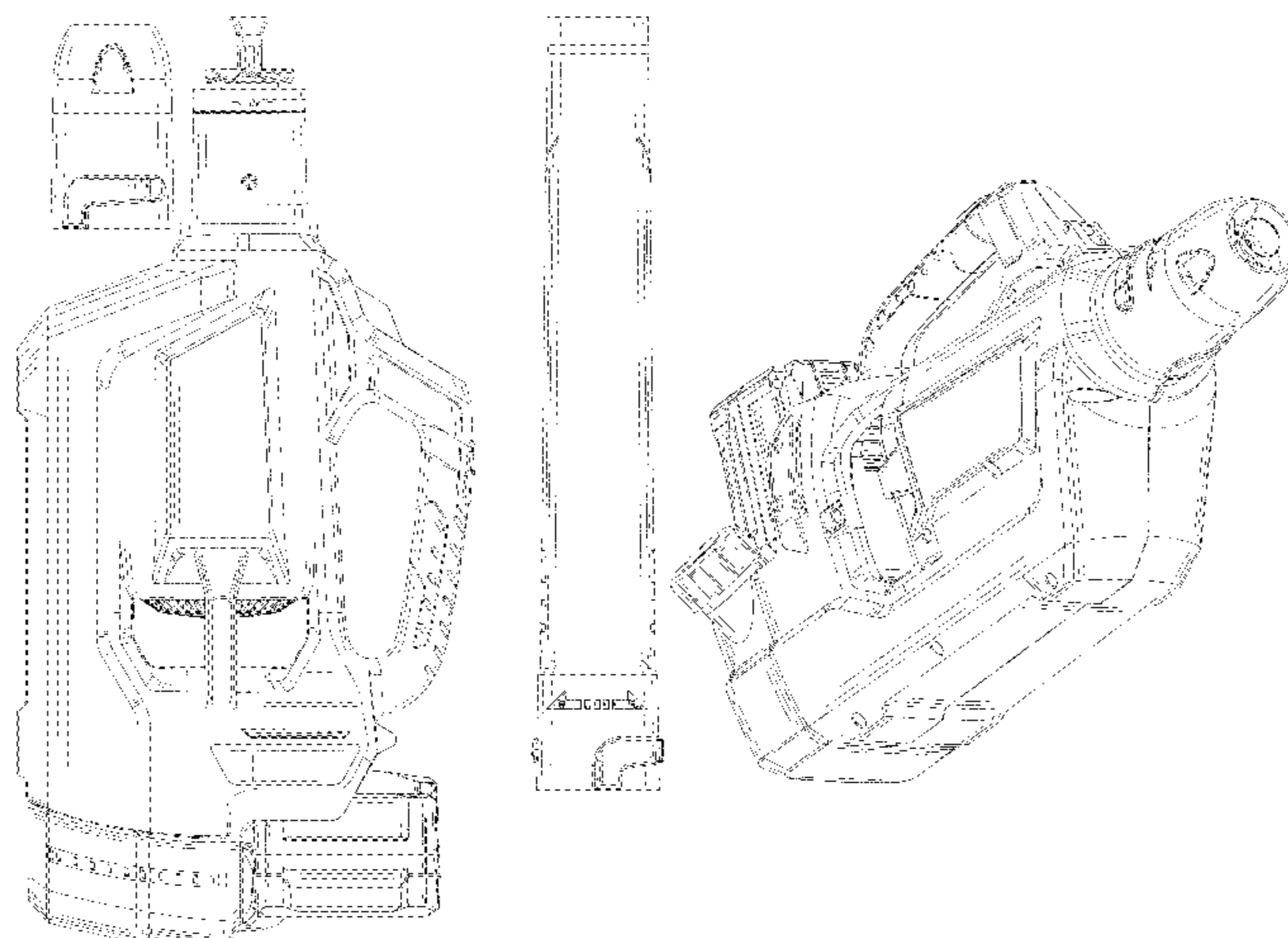
The ornamental design for a sprayer with blower, as shown and described.

**DESCRIPTION**

FIG. 1 is a perspective view of a sprayer with blower showing my new design;  
FIG. 2 is a front elevation view thereof;  
FIG. 3 is a back elevation view thereof;  
FIG. 4 is a left side view thereof;  
FIG. 5 is a right side view thereof;  
FIG. 6 is a top plan view thereof;  
FIG. 7 is a bottom plan view thereof;  
FIG. 8 is a perspective view of a sprayer with blower showing my new design in an assembled state;  
FIG. 9 is a front elevation view in an assembled state;  
FIG. 10 is a back elevation view in the assembled state;  
FIG. 11 is a left side view in the assembled state;  
FIG. 12 is a right side view in the assembled state;  
FIG. 13 is a enlarged top plan view in the assembled state;  
and,  
FIG. 14 is an enlarged bottom plan view in the assembled state.

The broken lines in the drawing depict environmental subject matter only and form no part of the claimed design.  
The assembled state is the assembly drawing of the upper left short pipe and the middle host in the front view, as shown in FIG. 8-14; another assembled state is the assembly drawing of the right long pipe and the middle host in the front view, which are not shown as the assembly method is the same.

**1 Claim, 14 Drawing Sheets**



(58) **Field of Classification Search**

CPC ..... 7/1272; B05B 7/129; B05B 7/24; B05B  
7/2475; B05B 7/2478; B05B 15/60; B05B  
15/63

See application file for complete search history.

(56) **References Cited**

U.S. PATENT DOCUMENTS

D299,571 S \* 1/1989 Kiyooka ..... D23/213  
6,622,341 B2 \* 9/2003 Jong ..... E01H 1/0809  
15/338  
6,837,447 B1 \* 1/2005 Clark ..... A01M 7/0003  
239/142  
D529,243 S \* 9/2006 Noma ..... D32/15  
D637,774 S \* 5/2011 Li ..... D32/15  
D668,822 S \* 10/2012 Tinius ..... D32/15  
D729,999 S \* 5/2015 Aoi ..... D32/15  
D746,004 S \* 12/2015 Murray ..... D32/15  
9,414,580 B2 \* 8/2016 Franks ..... A01M 1/2022  
D798,513 S \* 9/2017 Tinius ..... D32/15  
D809,100 S \* 1/2018 Hong ..... D23/225  
D809,227 S \* 1/2018 Tinius ..... D32/15  
D853,061 S \* 7/2019 Dretzka ..... D32/15  
D853,669 S \* 7/2019 Qiu ..... D32/15

D854,264 S \* 7/2019 Tucker ..... D32/15  
D854,265 S \* 7/2019 Wachter ..... D32/15  
D877,779 S \* 3/2020 Dretzka ..... D15/12  
D882,191 S \* 4/2020 Baxter ..... D32/15  
D922,523 S \* 6/2021 Havlovitz ..... D23/223  
D926,397 S \* 7/2021 Dretzka ..... D32/15  
11,067,087 B2 \* 7/2021 Tirone ..... A01G 20/47  
2007/0029407 A1 \* 2/2007 Rappin ..... B05B 7/2475  
239/340  
2016/0332174 A1 \* 11/2016 Leslie ..... A61D 1/025  
2021/0169063 A1 \* 6/2021 Cowan ..... A01M 21/04

OTHER PUBLICATIONS

Greenworks Pro GBL80320, Jan. 27, 2015, Amazon, site visited  
Aug. 23, 2021: <https://www.amazon.ca/dp/B00SU75KOQ> (Year:  
2015).\*  
RYOBI Cordless Fogger Mister, Jan. 1, 2019, Home Depot, site  
visited Aug. 23, 2021: [https://www.homedepot.com/p/RYOBI-ONE-  
18V-Cordless-Battery-Fogger-Mister-with-2-0-Ah-Battery-and-  
Charger-P2850/307244559](https://www.homedepot.com/p/RYOBI-ONE-18V-Cordless-Battery-Fogger-Mister-with-2-0-Ah-Battery-and-Charger-P2850/307244559) (Year: 2019).\*  
Sun Joe iON100V-550JB-CT, Mar. 25, 2019, Amazon, site visited  
Aug. 23, 2021: <https://www.amazon.ca/dp/B07NW6GPG6/> (Year:  
2019).\*

\* cited by examiner

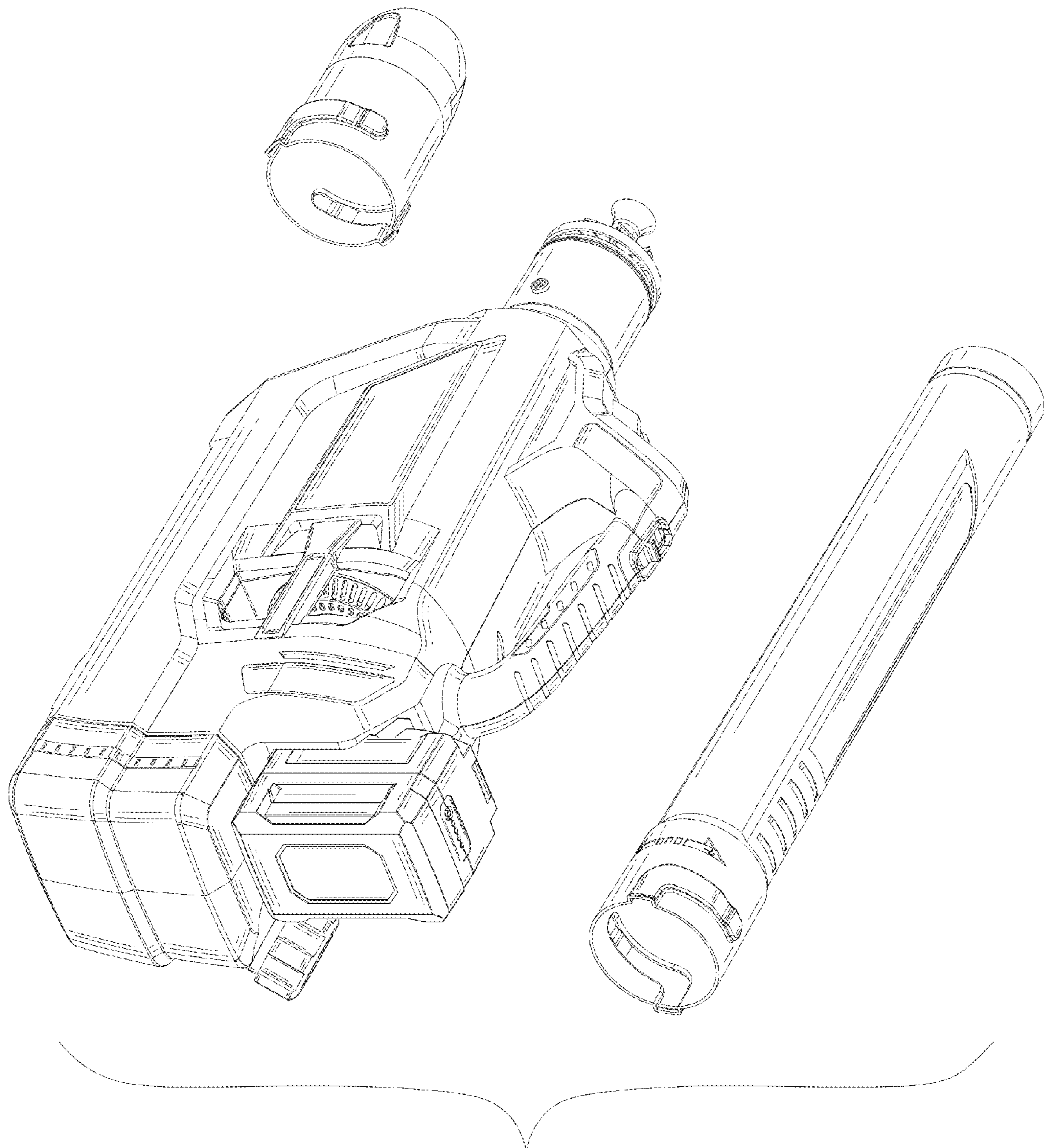


FIG. 1

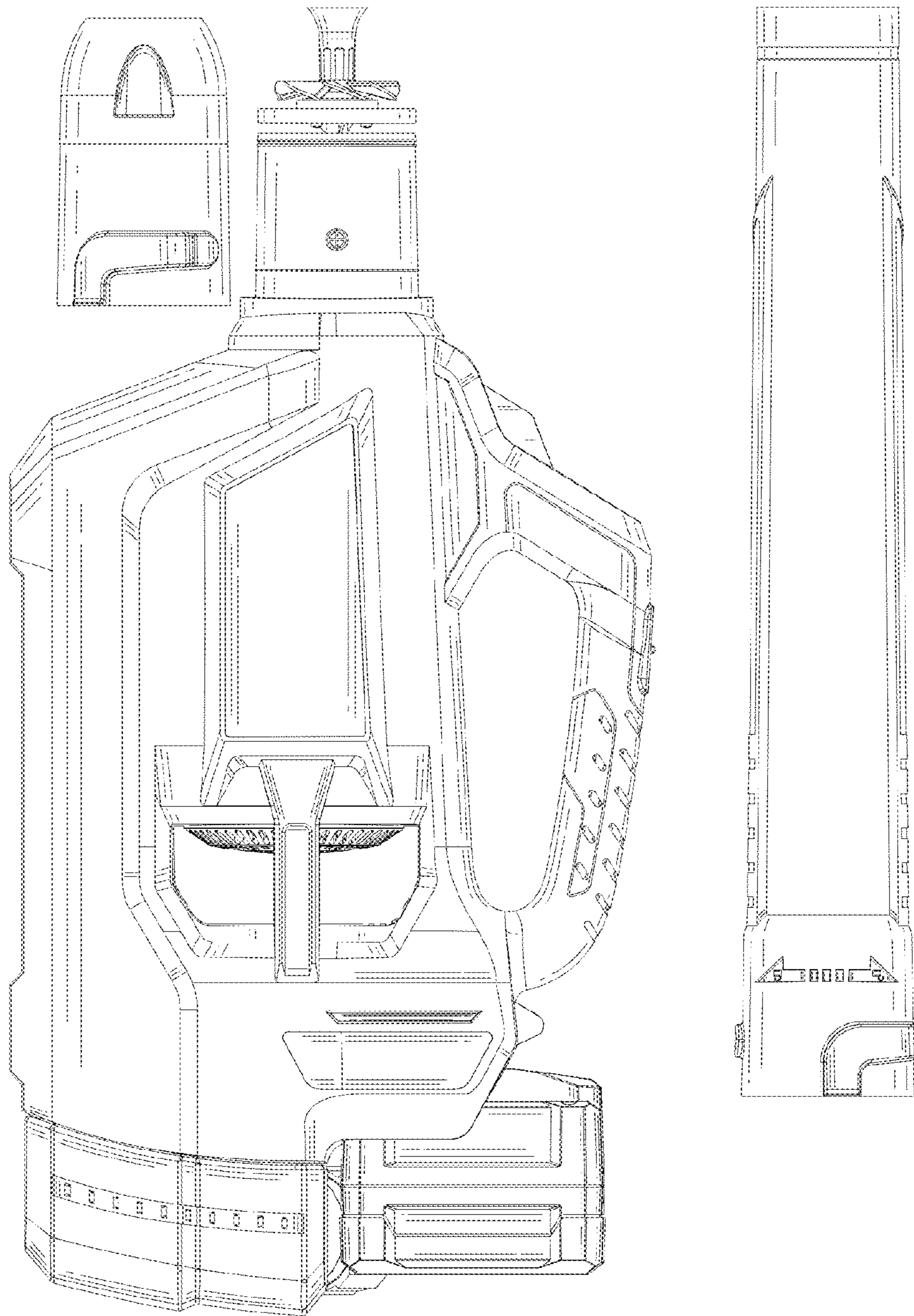


FIG. 2

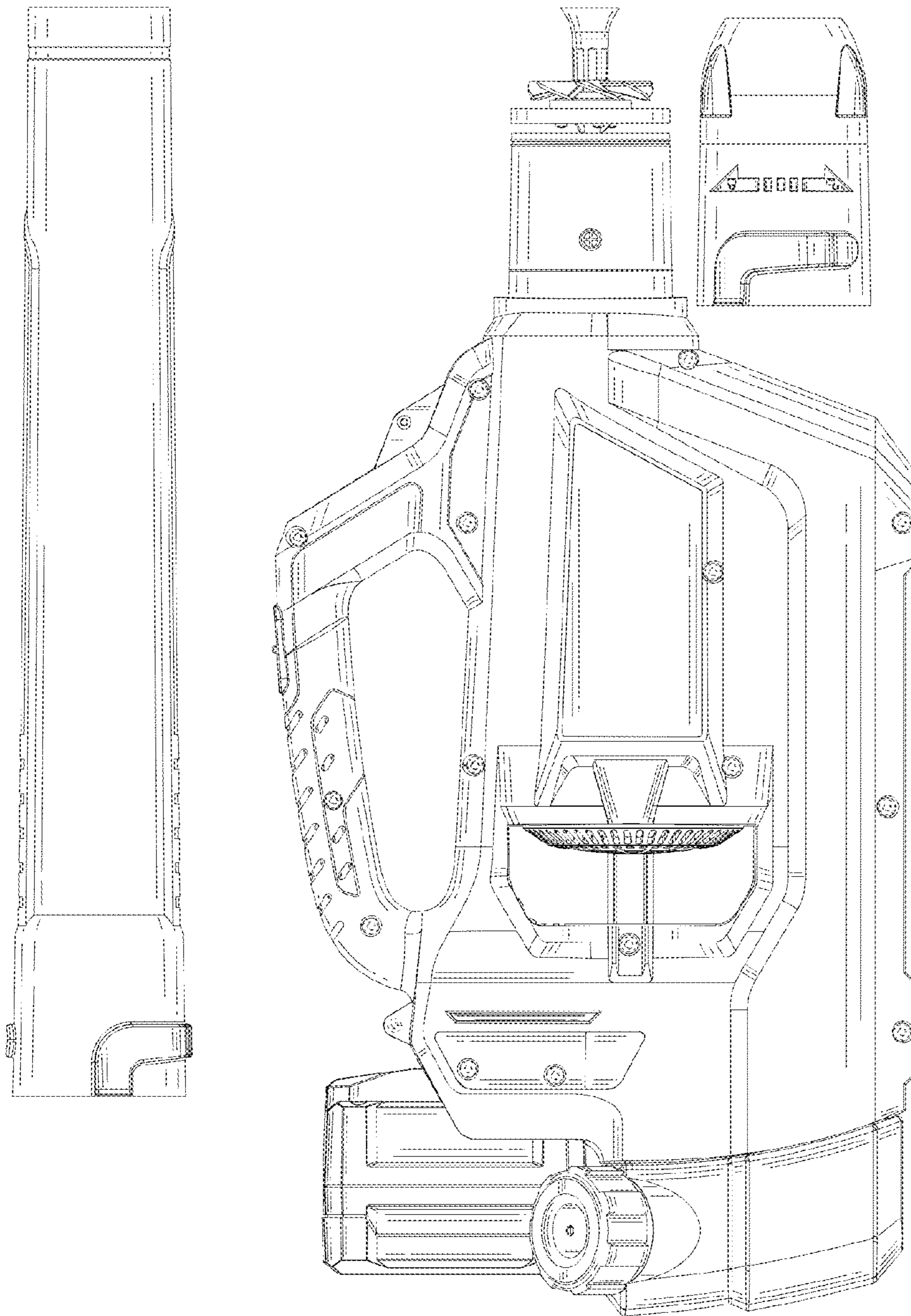


FIG. 3

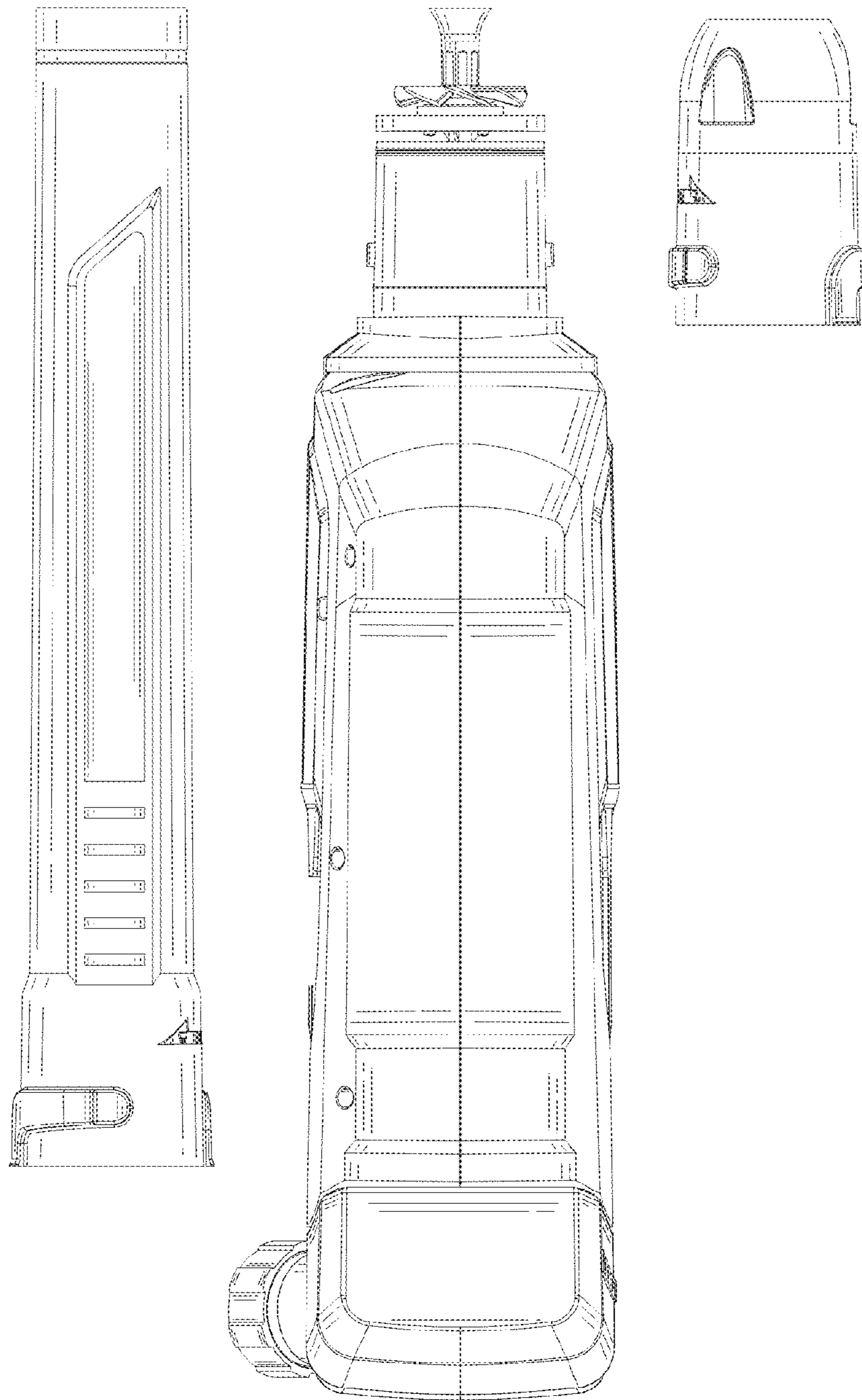


FIG. 4

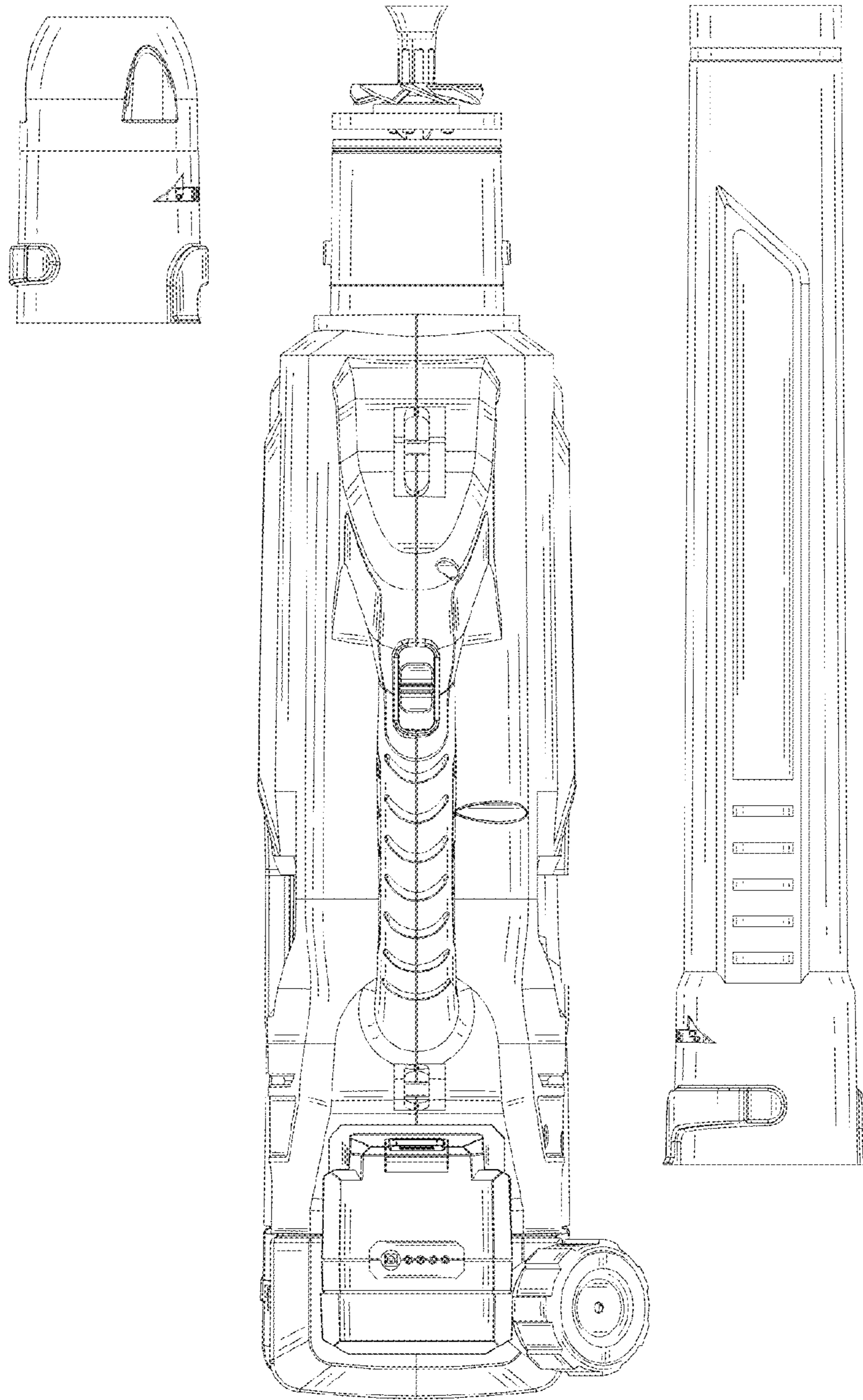


FIG. 5

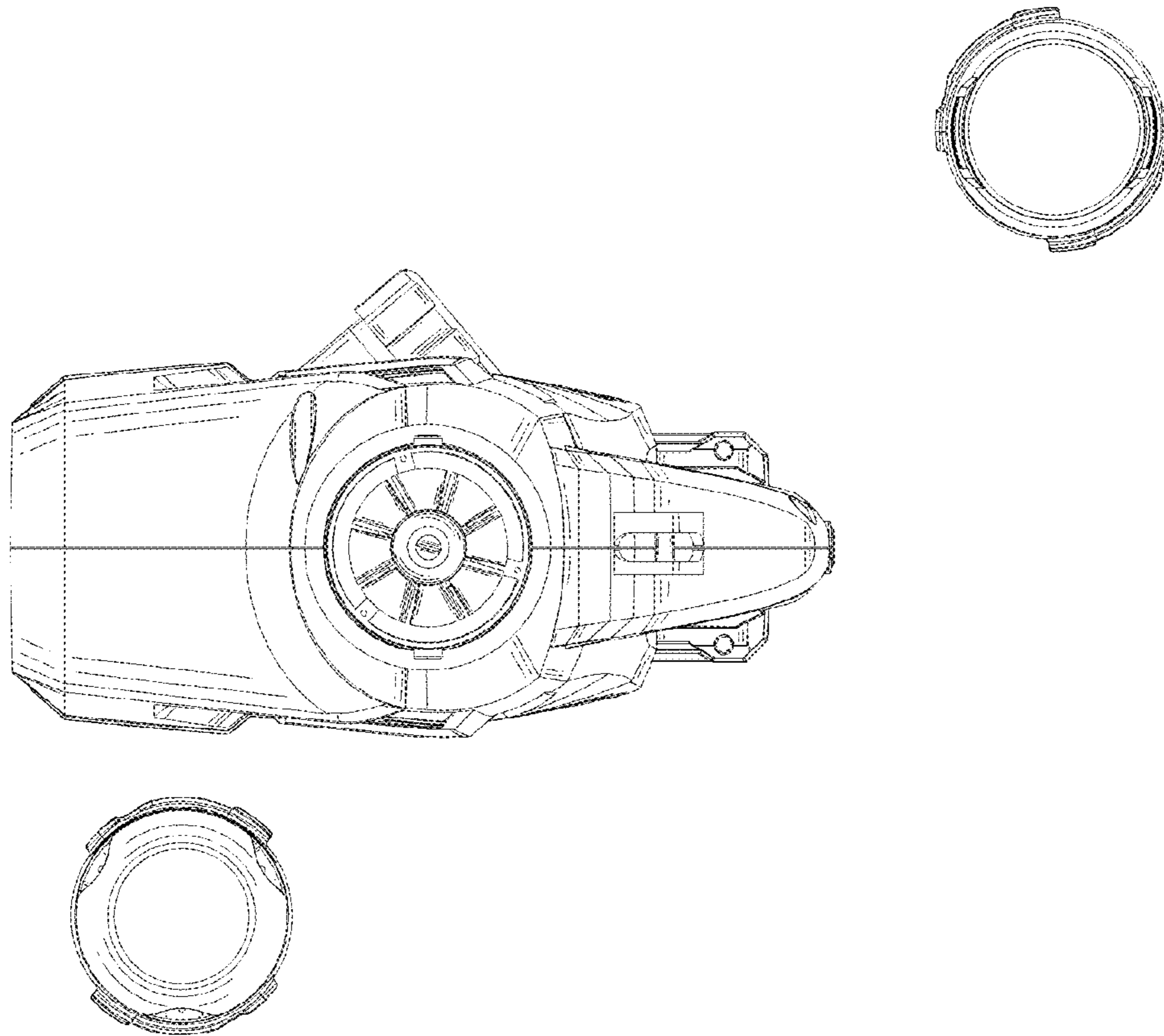


FIG. 6



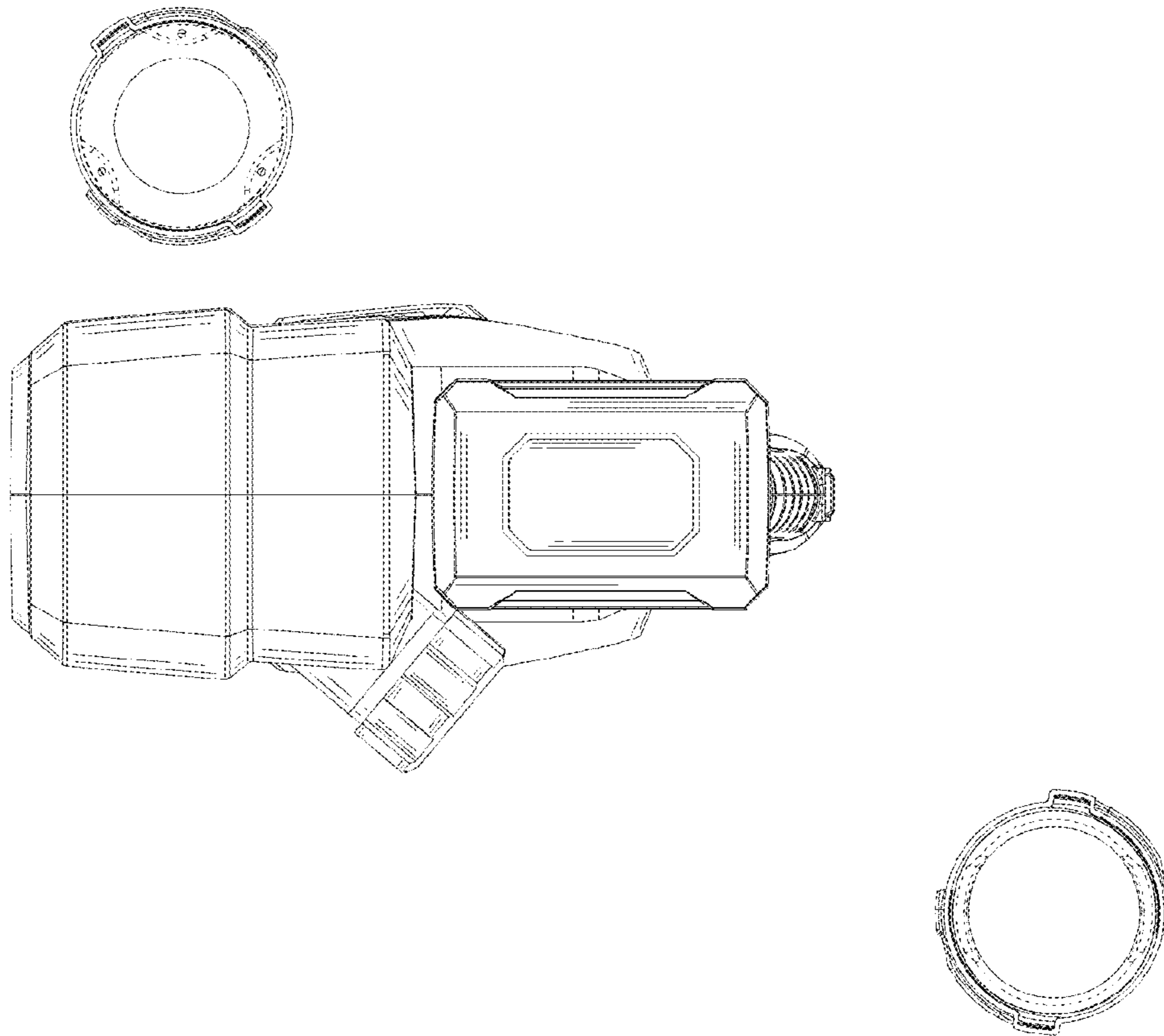


FIG. 7

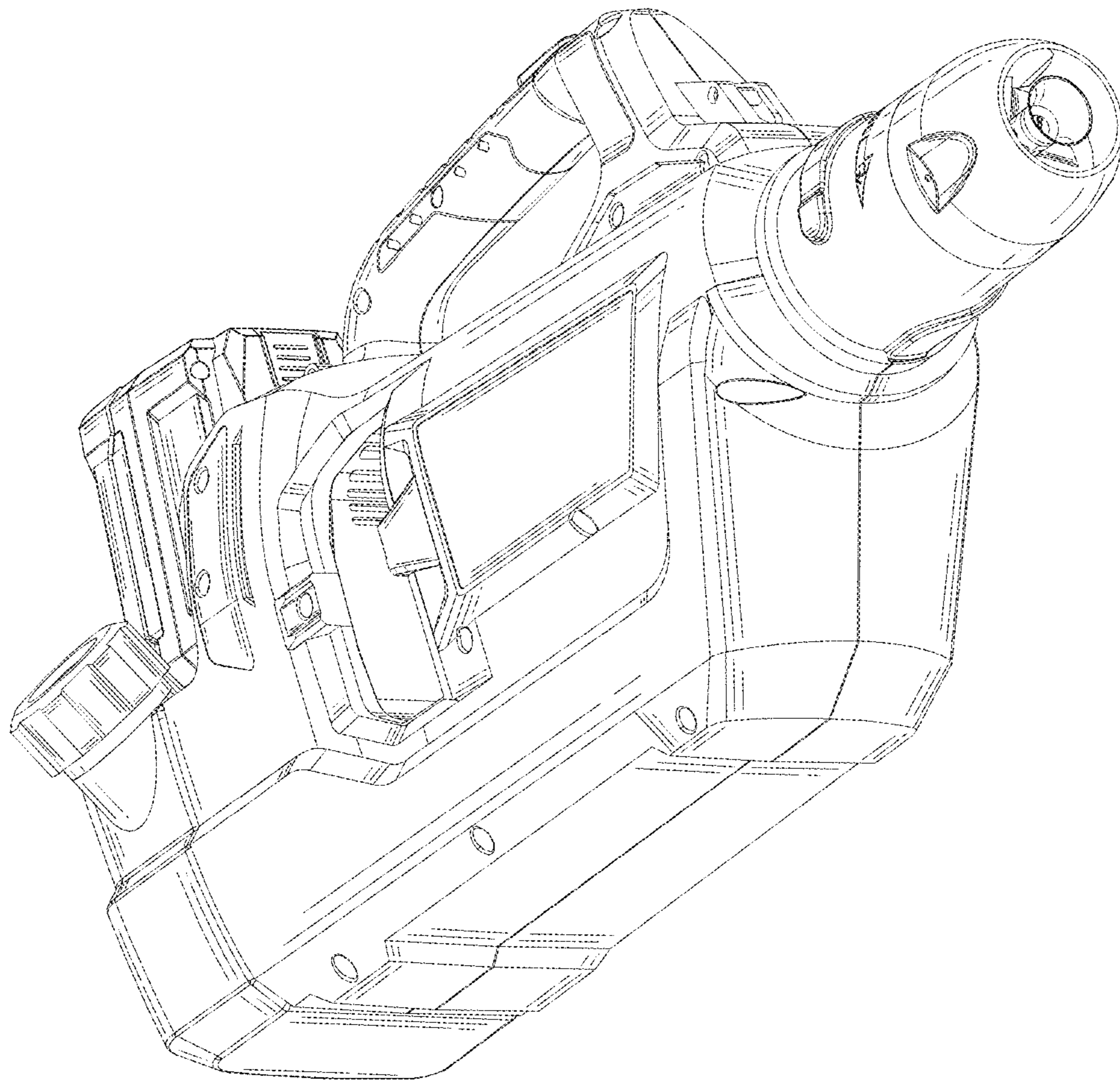


FIG. 8

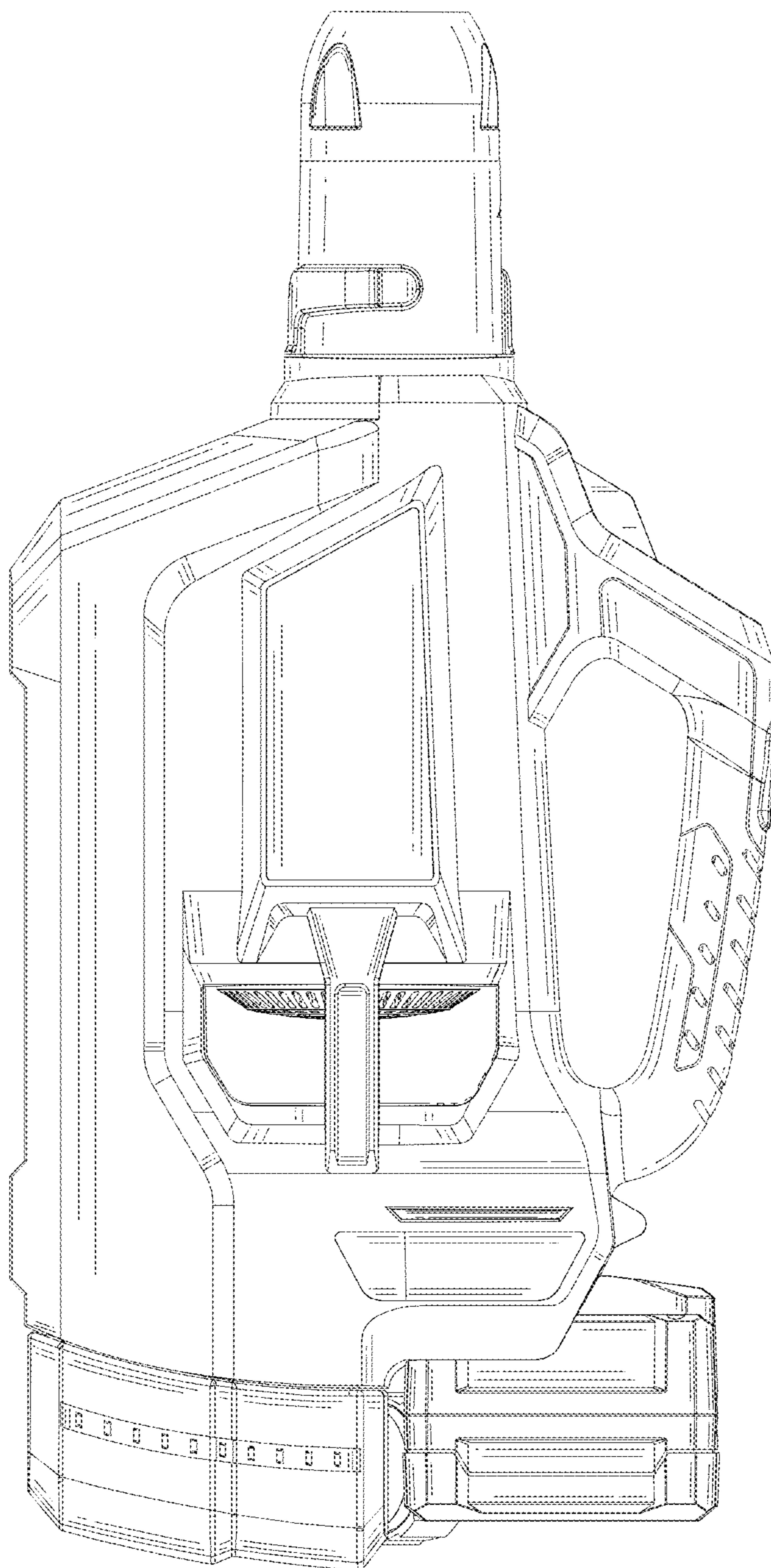


FIG. 9

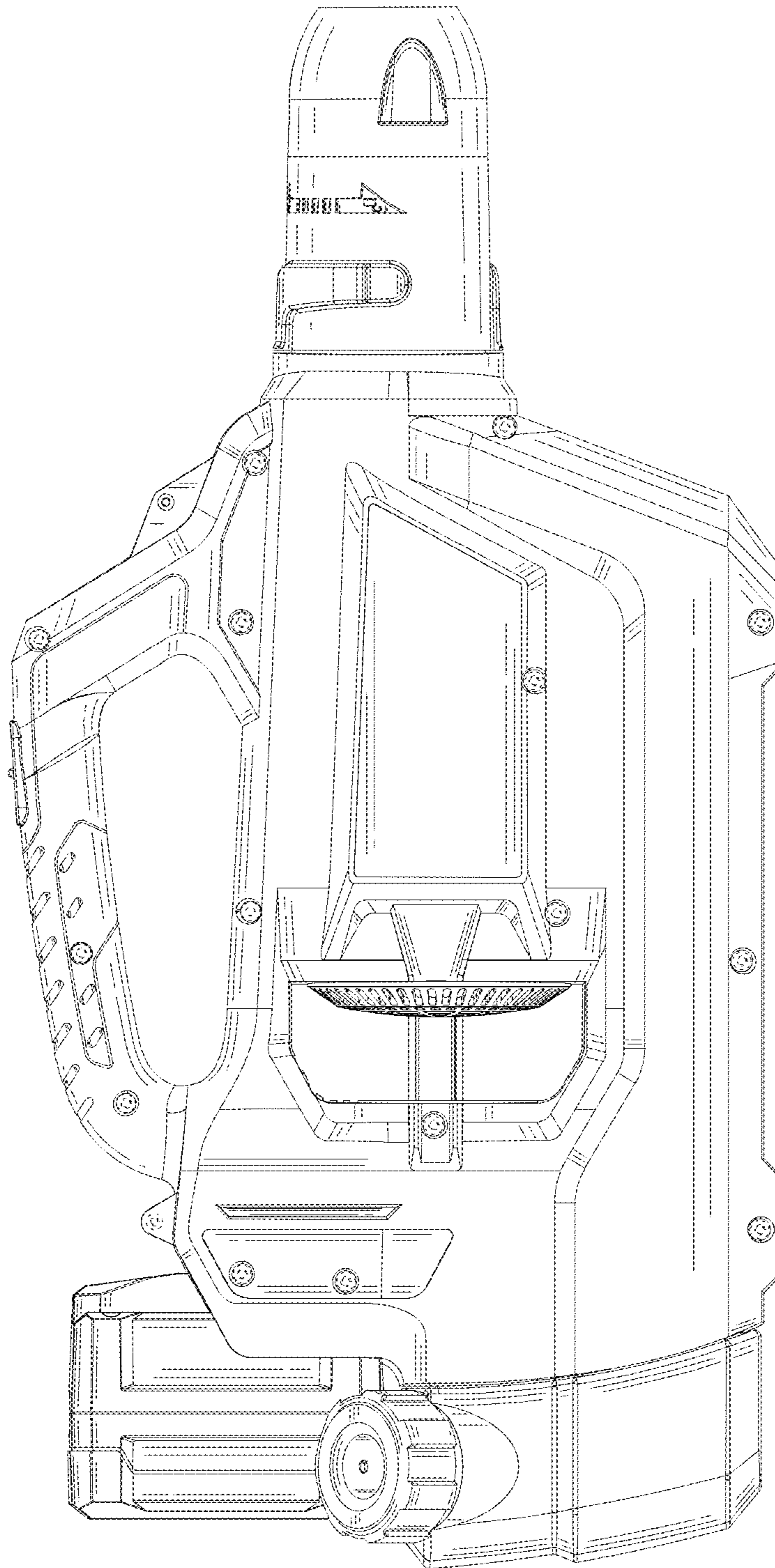


FIG. 10

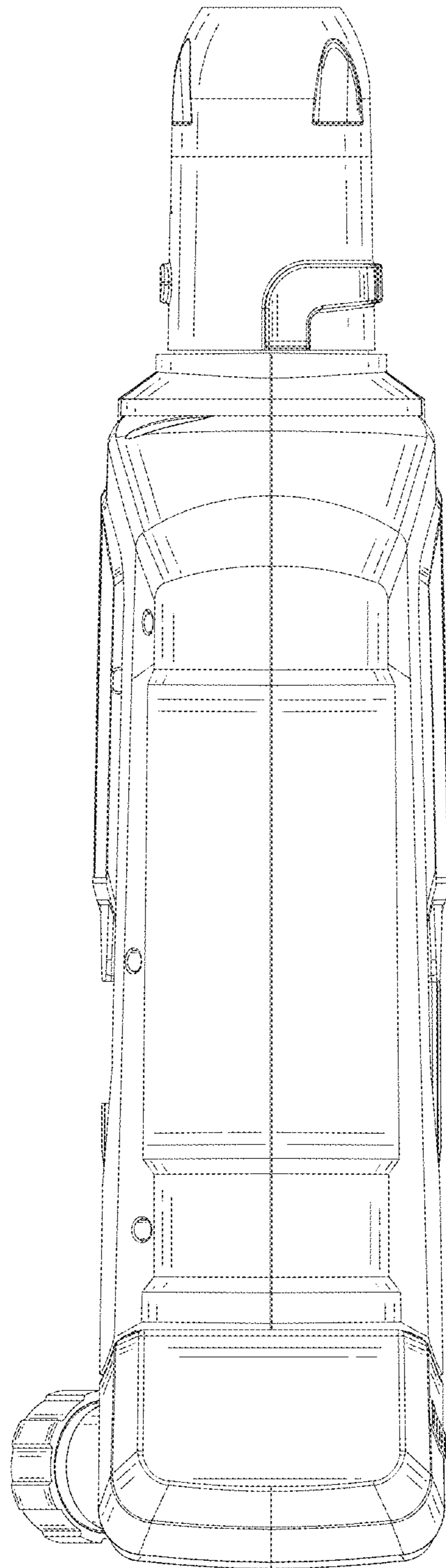


FIG. 11

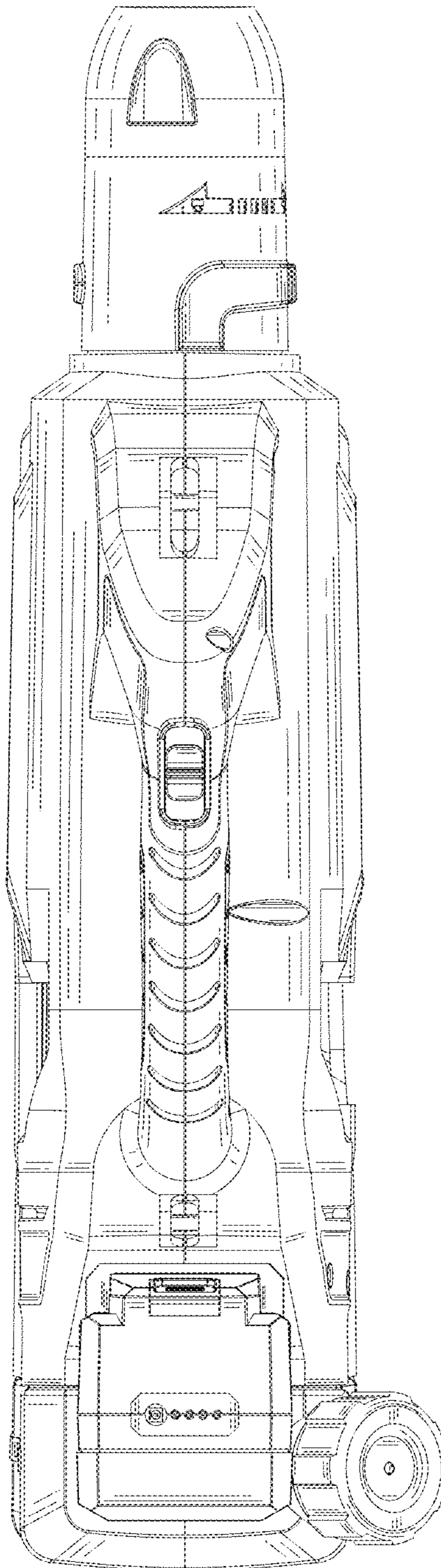


FIG. 12

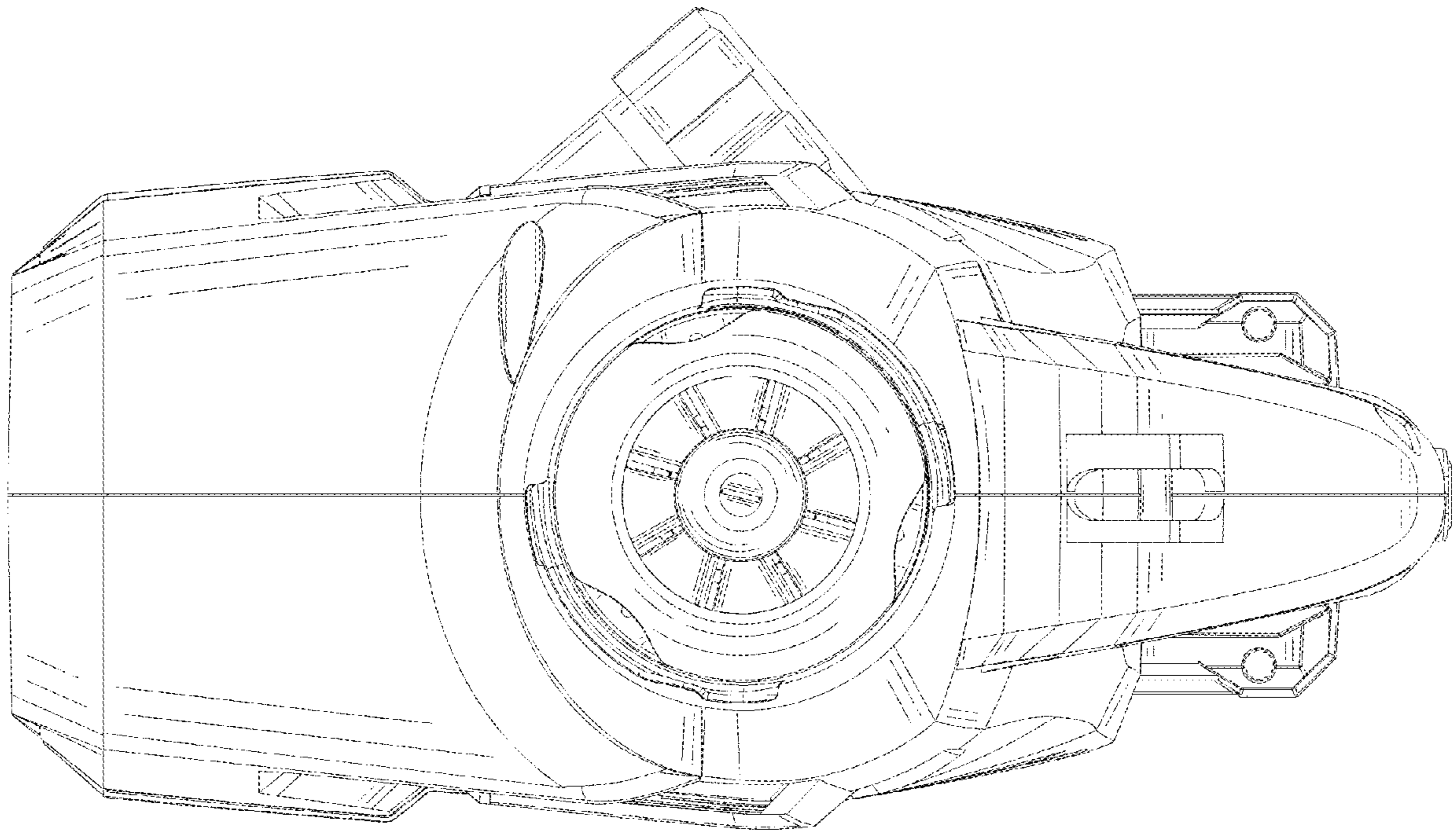


FIG. 13

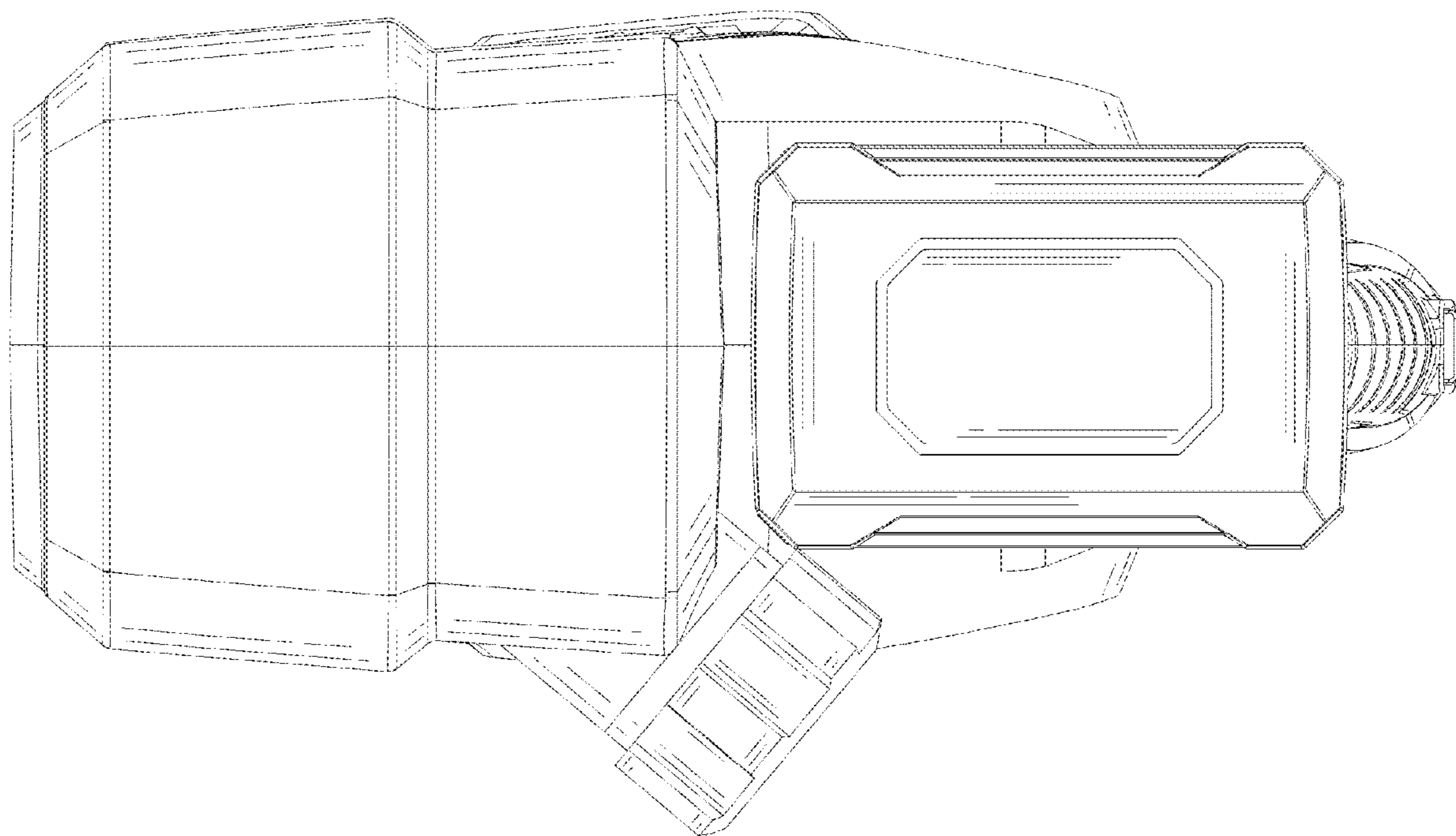


FIG. 14