



US00D940824S

(12) **United States Design Patent** (10) **Patent No.:** **US D940,824 S**  
**Lai et al.** (45) **Date of Patent:** **\*\* Jan. 11, 2022**

(54) **REFILLABLE PRESSURE SPRAYER**

(71) Applicant: **JEN SIAN INDUSTRIAL CO., LTD.**,  
Taichung (TW)

(72) Inventors: **Cheng-Wei Lai**, Taichung (TW);  
**Fu-Kai Chuang**, Taichung (TW)

(73) Assignee: **JEN SIAN INDUSTRIAL CO., LTD.**,  
Taichung (TW)

(\*\*) Term: **15 Years**

(21) Appl. No.: **29/721,136**

(22) Filed: **Jan. 17, 2020**

(51) **LOC (13) Cl.** ..... **23-01**

(52) **U.S. Cl.**  
USPC ..... **D23/225**

(58) **Field of Classification Search**  
USPC ..... D23/213, 214, 215, 223, 224, 226, 229;  
D9/685-691  
CPC ..... A61H 9/0021; A61H 33/00; B05B 1/00;  
B05B 1/14; B05B 1/185; B05B 1/08;  
B05B 1/02; B05B 1/26; B05B 12/002;  
B05B 1/18; B05B 9/01  
See application file for complete search history.

(56) **References Cited**

**U.S. PATENT DOCUMENTS**

D286,906	S	*	11/1986	Gibbs	.....	D23/225
D365,515	S	*	12/1995	Boykin	.....	D9/685
D405,353	S	*	2/1999	Buskie	.....	D9/685
D472,459	S	*	4/2003	Stadermann	.....	D7/300.1
D636,272	S	*	4/2011	Pearson	.....	D9/685
D641,251	S	*	7/2011	Pearson	.....	D9/685
D641,252	S	*	7/2011	Butler	.....	D9/690
D669,362	S	*	10/2012	Lam	.....	D9/680
D676,760	S	*	2/2013	Baranowski	.....	D9/685
D688,562	S	*	8/2013	Baranowski	.....	D9/685
D744,351	S	*	12/2015	Hansen	.....	D9/685
D881,342	S	*	4/2020	Chou	.....	D23/225

D902,050	S	*	11/2020	Begier	.....	D9/685
10,961,027	B1	*	3/2021	Laible	.....	B67D 7/0294
D915,218	S	*	4/2021	Capper	.....	D9/686
D918,730	S	*	5/2021	Van Den Bergh	.....	D9/685
11,014,099	B2	*	5/2021	Hasday	.....	B05B 12/06
D923,748	S	*	6/2021	Lo	.....	D23/225
11,020,755	B2	*	6/2021	Hirata	.....	B05B 11/3001

(Continued)

**OTHER PUBLICATIONS**

EWK Aerosol Refillable Spray Can Aluminum Compressed Air Bottle Pneumatic, Mar. 18, 2014, Amazon.com, Jun. 30, 2021, URL: <https://www.amazon.com/EWK-Aluminum-Pneumatic-Refillable-Compressed/dp/B00JKED4MS> (Year: 2014).\*

(Continued)

*Primary Examiner* — Jack Reickel

*Assistant Examiner* — Keith J Wilson

(74) *Attorney, Agent, or Firm* — Guice Patents PLLC

(57) **CLAIM**

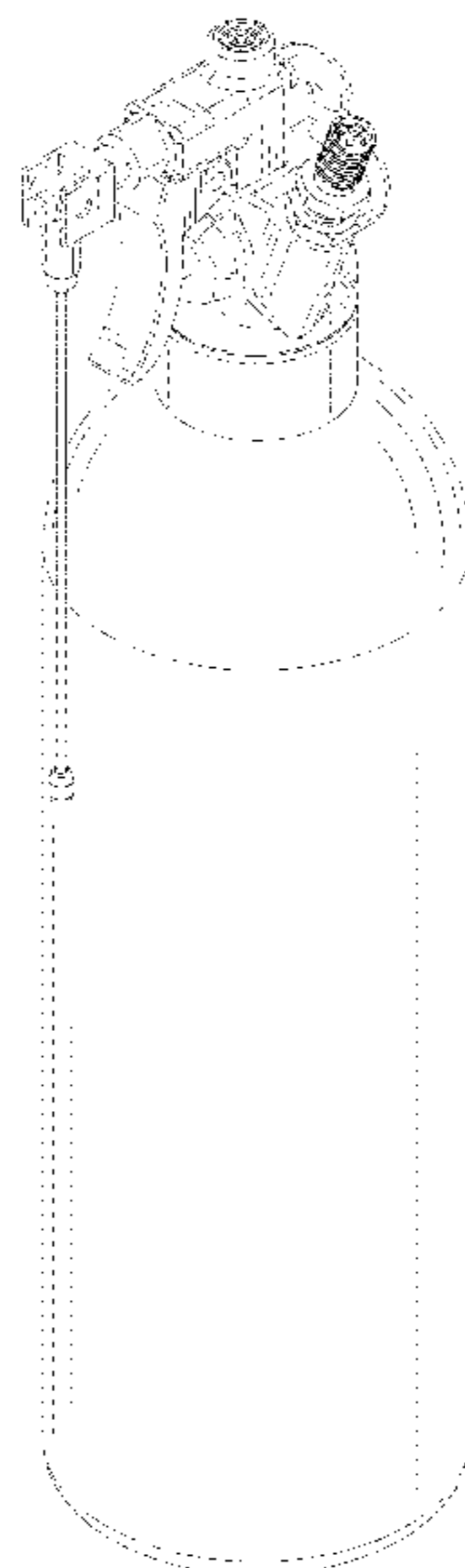
We claim the ornamental design for a refillable pressure sprayer, as shown and described.

**DESCRIPTION**

FIG. 1 is a perspective view showing the front, right and top of the design for the refillable pressure sprayer; FIG. 2 is a front elevational view thereof; FIG. 3 is a rear elevational view thereof; FIG. 4 is a left side elevational view thereof; FIG. 5 is a right side elevational view thereof; FIG. 6 is a top plan view thereof; FIG. 7 is a bottom plan view thereof; and, FIG. 8 is a perspective view showing the refillable pressure sprayer in an alternative view.

The broken lines shown on the drawings are included for the purpose of illustrating unclaimed features of the refillable pressure sprayer and form no part of the claimed design.

**1 Claim, 6 Drawing Sheets**



(56)

**References Cited**

U.S. PATENT DOCUMENTS

2004/0245208 A1\* 12/2004 Dennison ..... B65D 1/023  
 215/379  
 2016/0159017 A1\* 6/2016 Chou ..... B29C 73/166  
 141/38  
 2019/0344954 A1\* 11/2019 Chou ..... B65D 85/00

OTHER PUBLICATIONS

Firstinfo Aerosol Refillable Fluid Oil Pressure Storage Sprayer Can Aluminum Pneumatic, May 28, 2015, Amazon.com, Jun. 30, 2021, URL: <https://www.amazon.com/FIRSTINFO-Aluminum-Pneumatic-Refillable-Pressure/dp/B00YF7Q1TI> (Year: 2015).\*

Vaper 19426 Refillable Aluminum Spray Bottle—7.7 oz, Feb. 13, 2019, Amazon.com, Jun. 30, 2021, URL: <https://www.amazon.com/Vaper-19426-Refillable-Aluminum-Bottle/dp/B07NPKHLKF> (Year: 2019).\*

Pistol Pump Oiler, High Pressure Hand Pump Oiler Can Metal Flexible Manual Oil Lubrication Bottle, Apr. 28, 2020, Amazon.com, Jun. 30, 2021, URL: <https://www.amazon.com/Pressure-Flexible-Lubrication-Capacity-Refillable/dp/B087RFRHYW> (Year: 2020).\*

Vaper 19426 Refillable Aluminum Spray Bottle—7.7 oz, Feb. 13, 2019, amazon.com, Oct. 20, 2021, URL: <https://www.amazon.com/Vaper-19426-Refillable-Aluminum-Bottle/dp/B07NPKHLKF> (Year: 2019).\*

Jounjip Reusable Refillable Multipurpose Aerosol Compressed Air Spray Bottle, Sep. 9, 2019, amazon.com, Oct. 20, 2021, URL: <https://www.amazon.com/Gino-Development-Refillable-Multipurpose-Replacements/dp/B07LB8KMGN> (Year: 2019).\*

Vivosun 0.2Gallon Handheld Garden Sprayer Pump Pressure Water Sprayers, Aug. 24, 2019, amazon.com, Oct. 20, 2021, URL: [https://www.amazon.com/VIVOSUN-0-2Gallon-Sprayer-Pressure-Sprayers/dp/B07QTHYLZV/ref=psdc\\_492090011\\_t1\\_B09223CW6J?th=1](https://www.amazon.com/VIVOSUN-0-2Gallon-Sprayer-Pressure-Sprayers/dp/B07QTHYLZV/ref=psdc_492090011_t1_B09223CW6J?th=1) (Year: 2019).\*

\* cited by examiner

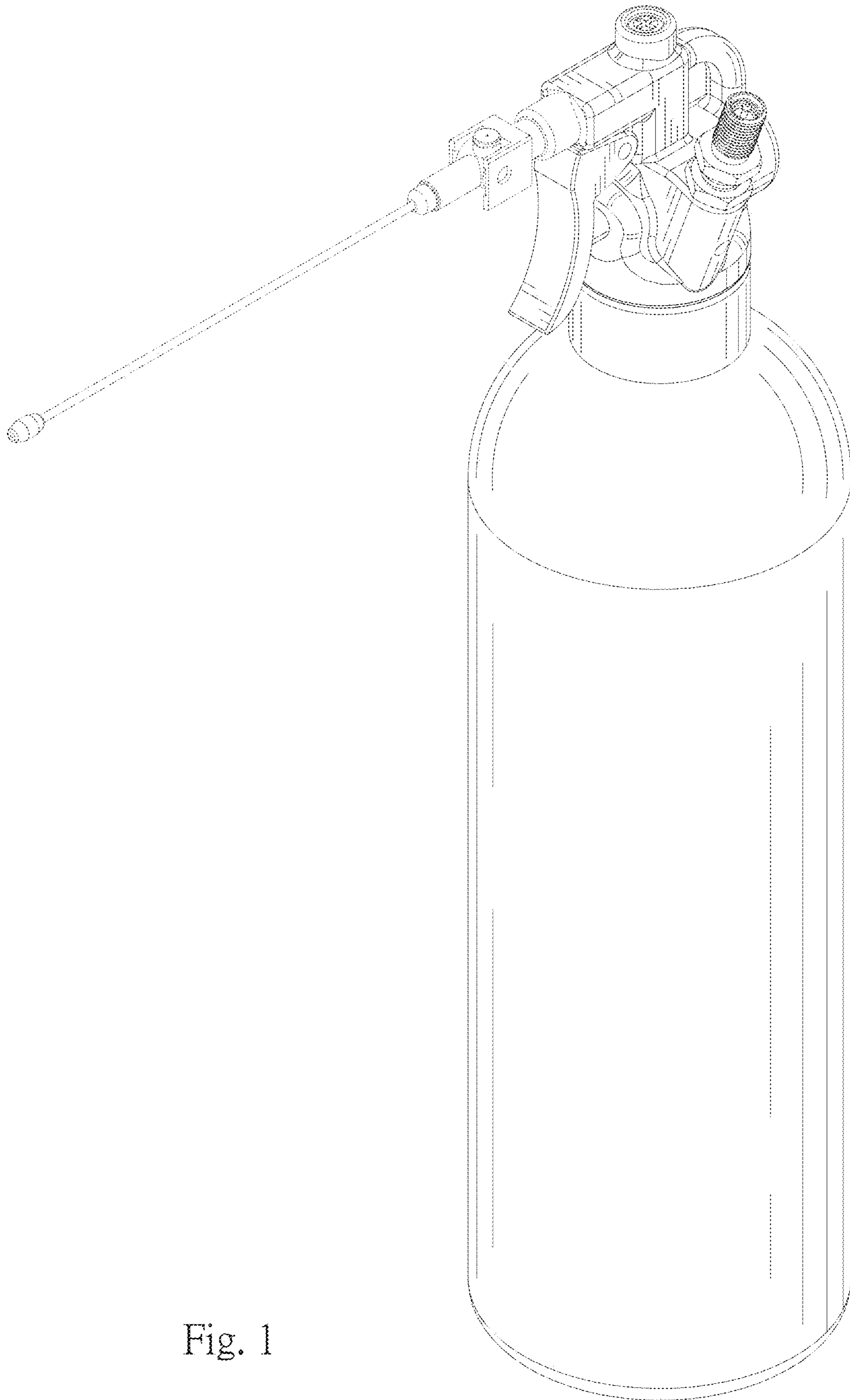


Fig. 1

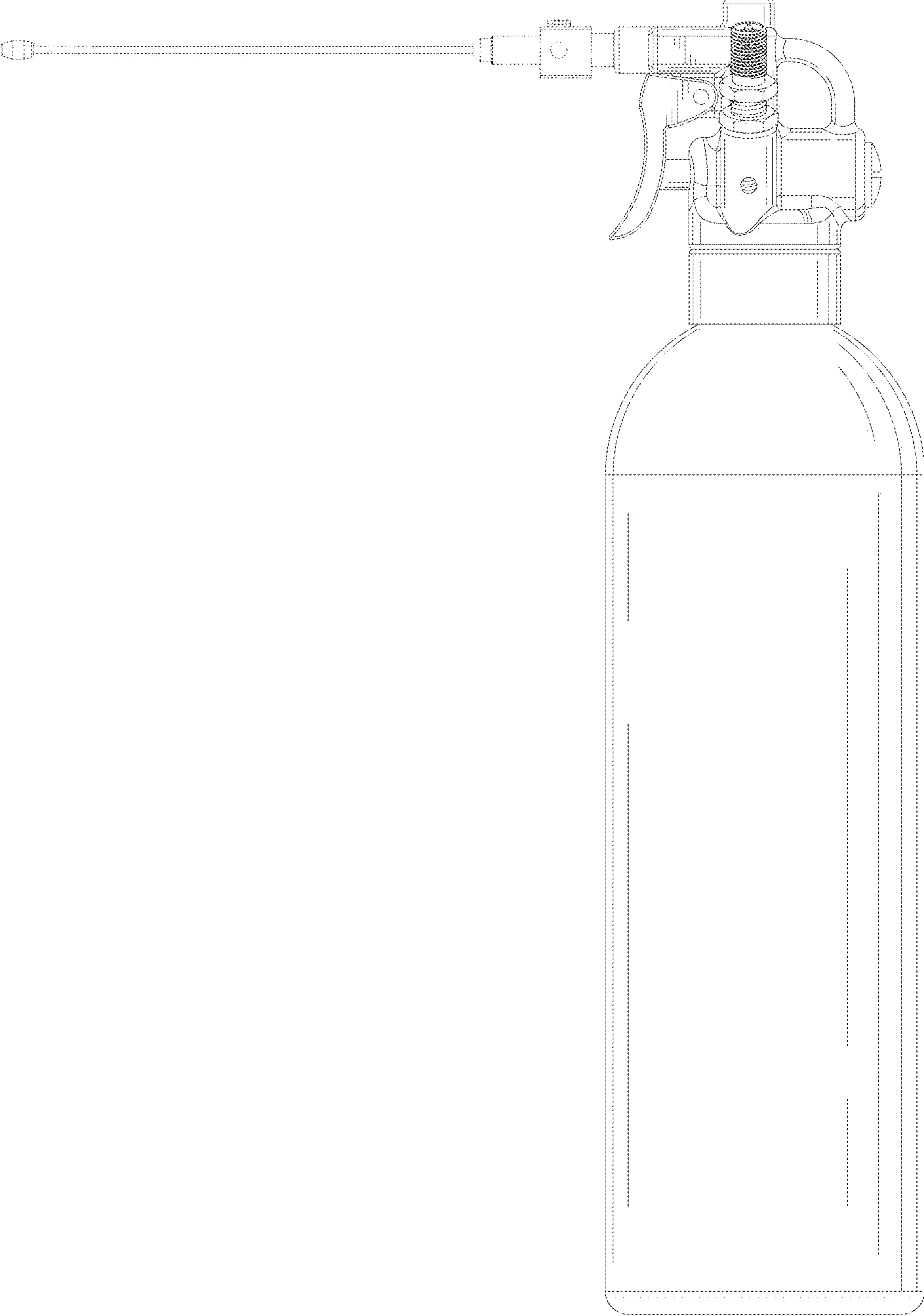


Fig. 2



Fig. 3

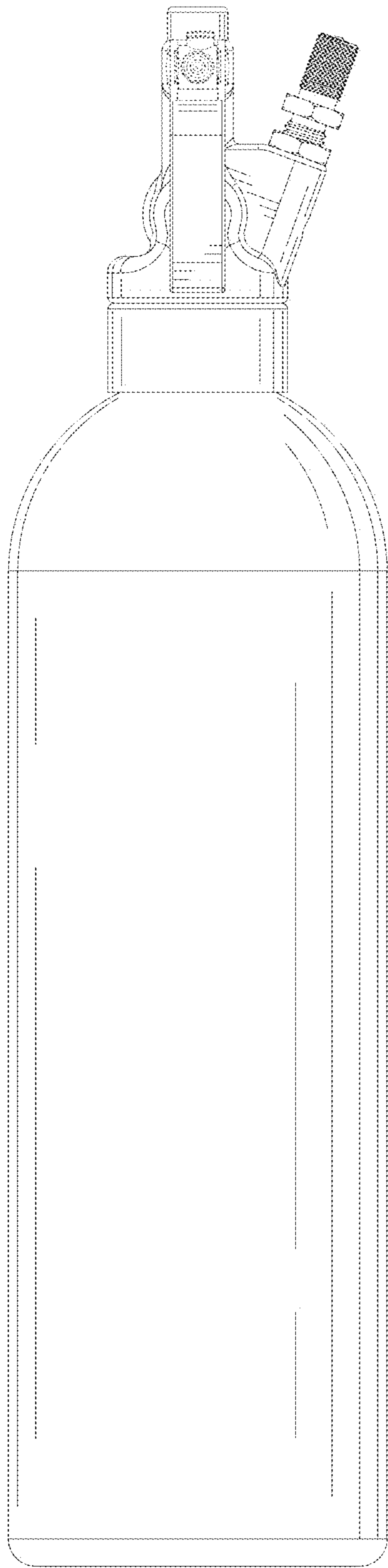


Fig. 4

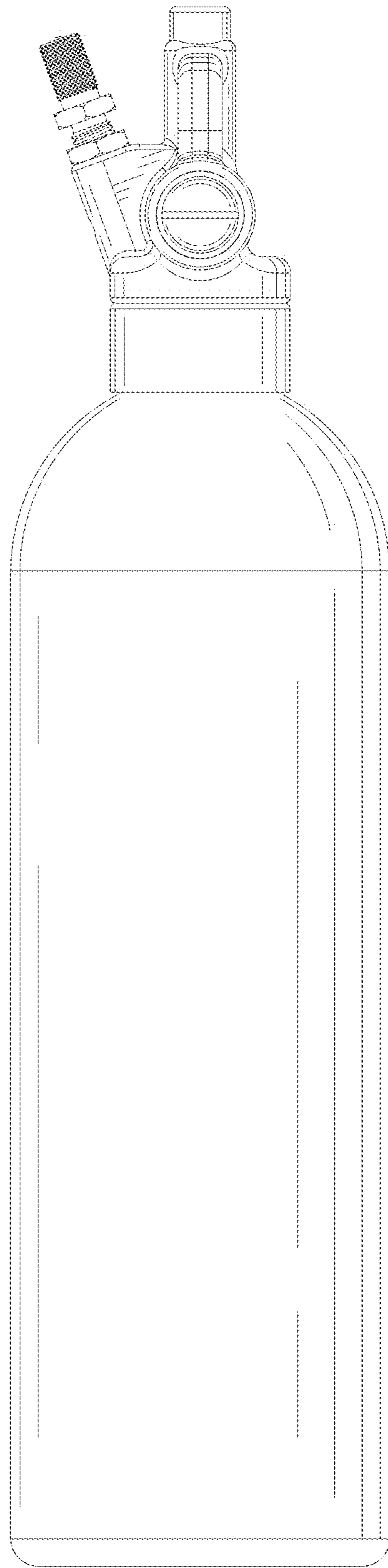


Fig. 5

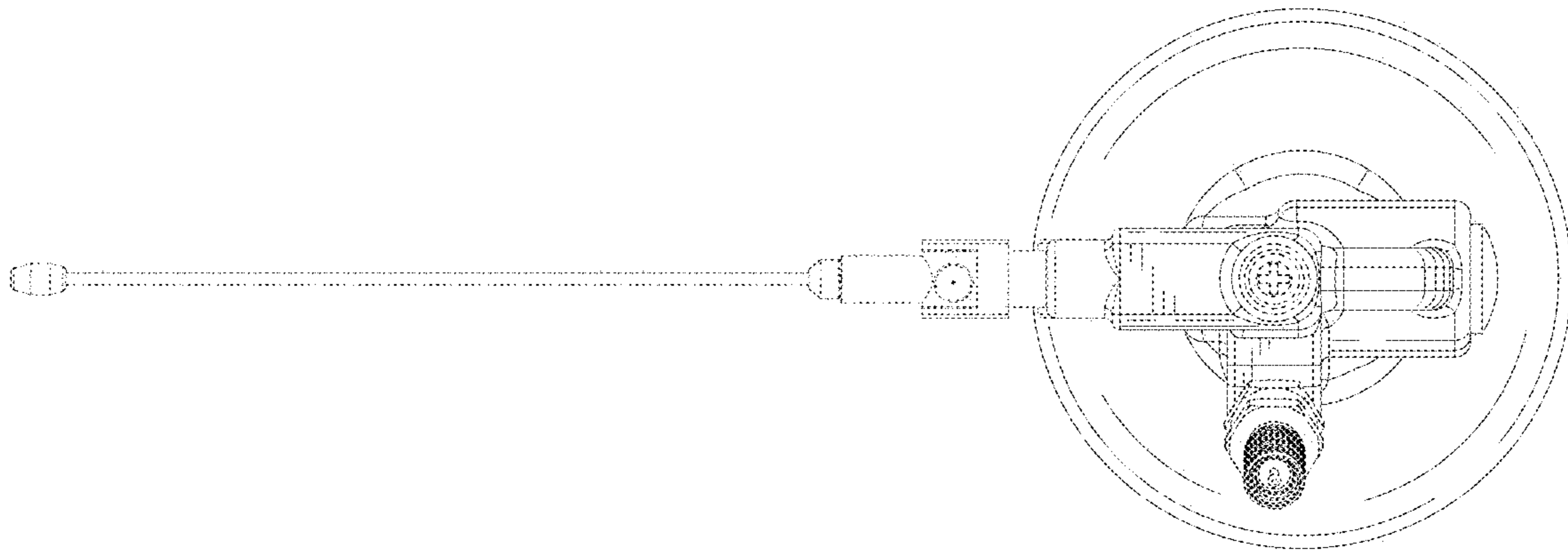


Fig. 6

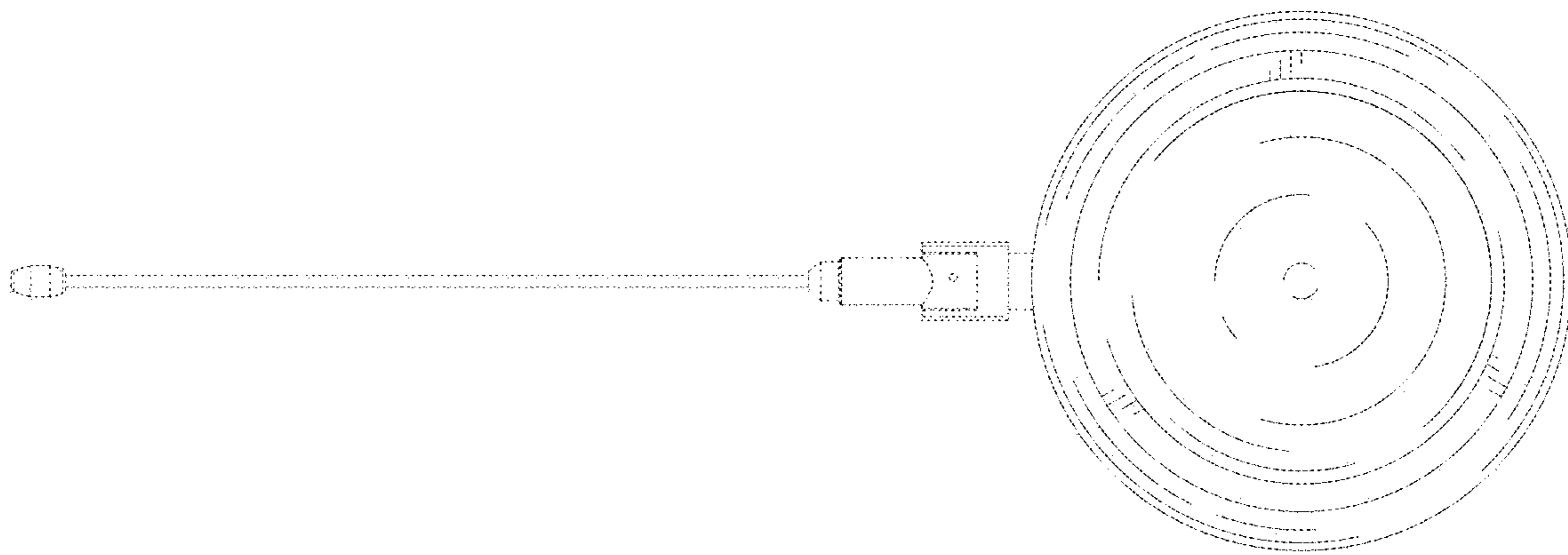


Fig. 7

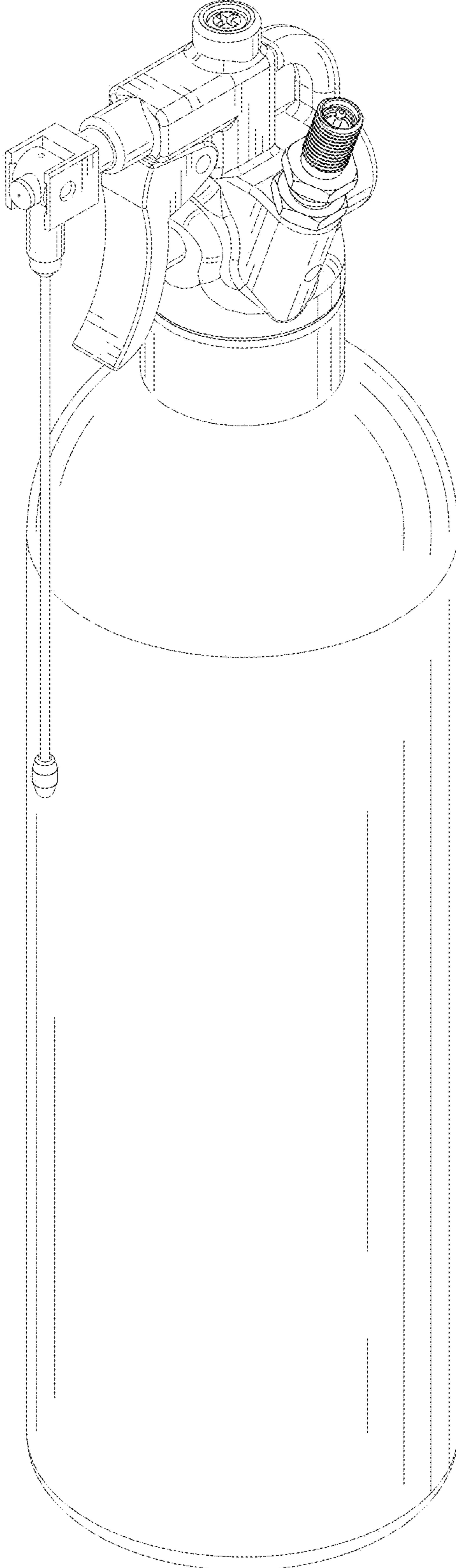


Fig. 8