

US00D940823S

(12) **United States Design Patent**
Fujinami et al.

(10) **Patent No.:** **US D940,823 S**
(45) **Date of Patent:** **** Jan. 11, 2022**

(54) **FLUID EMITTING DEVICE**

(71) Applicant: **KAO CORPORATION**, Tokyo (JP)

(72) Inventors: **Susumu Fujinami**, Tokyo (JP); **Yohei Shimura**, Tokyo (JP); **Nobuko Kusumi**, Tokyo (JP)

(73) Assignee: **KAO CORPORATION**, Tokyo (JP)

(**) Term: **15 Years**

(21) Appl. No.: **29/701,654**

(22) Filed: **Aug. 13, 2019**

(30) **Foreign Application Priority Data**

Feb. 15, 2019 (JP) 2019-003089

(51) **LOC (13) Cl.** **23-01**

(52) **U.S. Cl.**
USPC **D23/223**

(58) **Field of Classification Search**

USPC D23/207, 213, 223, 225, 226, 356, 360
CPC .. B05B 5/025; B05B 5/03; B05B 5/16; B05B 5/1691; B05B 7/00; B05B 7/0018; B05B 7/0093; B05B 7/02; B05B 7/06; B05B 7/062; B05B 7/064; B05B 7/12; B05B 7/1272; B05B 7/129; B05B 7/24; B05B

(Continued)

(56) **References Cited**

U.S. PATENT DOCUMENTS

D271,244 S * 11/1983 Martinez B05B 9/04
D28/5
D271,613 S * 11/1983 Watkins D23/225

(Continued)

FOREIGN PATENT DOCUMENTS

TW D143110 S1 10/2011
TW D147468 S1 6/2012
TW D195687 S1 1/2019

OTHER PUBLICATIONS

ANSIO Ultrasonic Cool Mist Humidifier, Sep. 22, 2018, Amazon, site visited Aug. 23, 2021: <https://www.amazon.co.uk/dp/B01NAFTLAI/> (Year: 2018).*

(Continued)

Primary Examiner — Jack Reickel

Assistant Examiner — Bobby W Jones, II

(74) *Attorney, Agent, or Firm* — Oblon, McClelland, Maier & Neustadt, L.L.P.

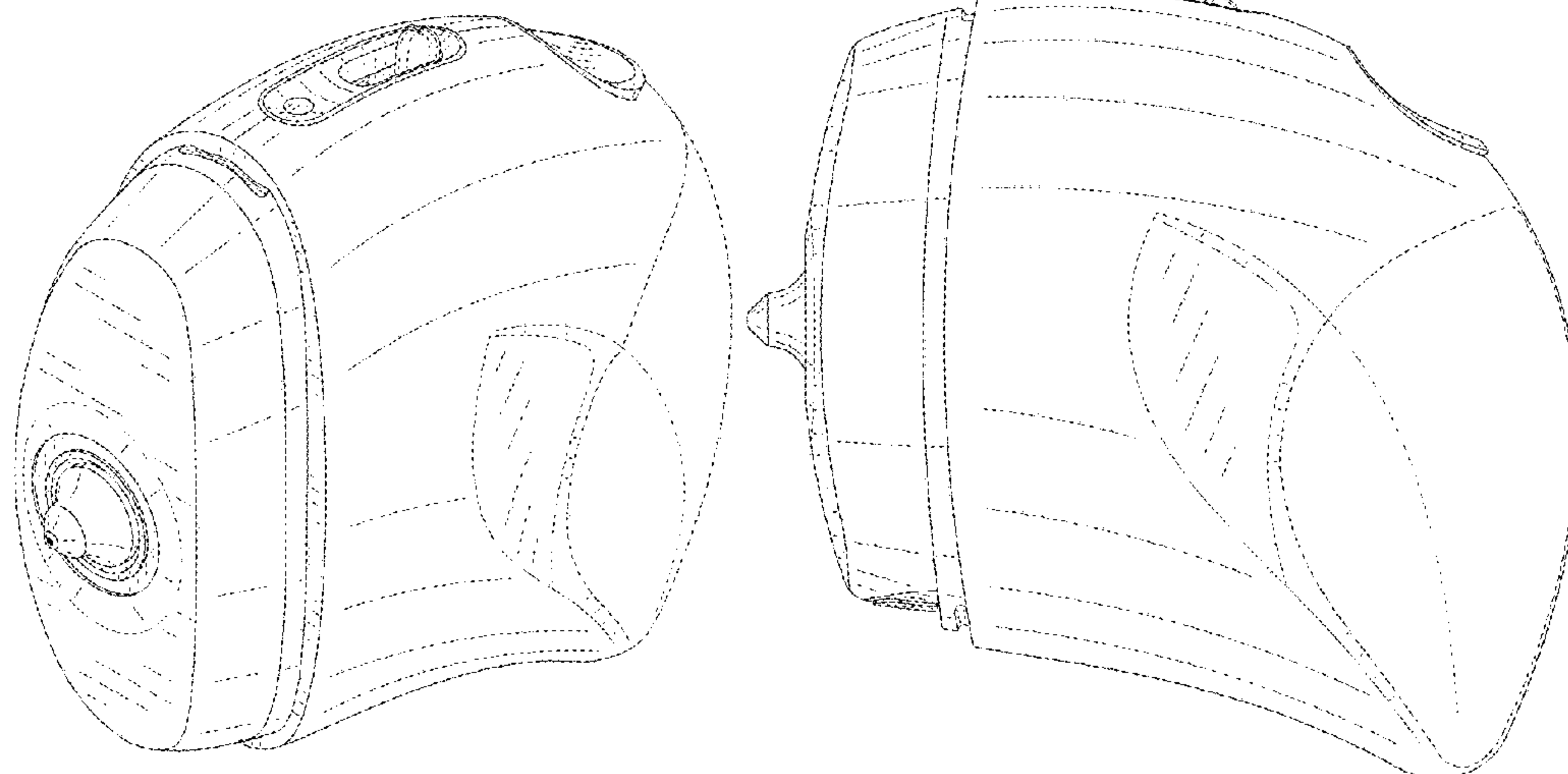
(57) **CLAIM**

The ornamental design for a fluid emitting device, as shown and described.

DESCRIPTION

FIG. 1 is a front, left side, top perspective view of a fluid emitting device showing our new design; FIG. 2 is a front elevational view thereof; FIG. 3 is a rear elevational view thereof; FIG. 4 is a left side view thereof; FIG. 5 is a right side view thereof; FIG. 6 is a top plan view thereof; FIG. 7 is a bottom plan view thereof; FIG. 8 is a reference perspective view thereof, showing a state in which a cover is attached to this article; FIG. 9 is a reference view thereof, showing a state in which this article is placed on a stand; and, FIG. 10 is a reference view thereof, showing a state in which this article with a cover attached is placed on a stand. The broken line showing of a fluid emitting device is included for the purpose of illustrating portions of the article and forms no part of the claimed design. The broken line showing of a cover and stand is included for the purpose of illustrating environmental structure and forms no part of the claimed design.

1 Claim, 9 Drawing Sheets



(58) **Field of Classification Search**
 CPC 7/2475; B05B 7/2478; B05B 15/60; B05B
 15/63
 See application file for complete search history.

(56) **References Cited**

U.S. PATENT DOCUMENTS

D433,193	S *	10/2000	Gaw	B05B 5/1691
					D28/91.1
D442,682	S *	5/2001	Choi	B05B 5/03
					D23/356
6,418,926	B1 *	7/2002	Chawla	A61M 15/0028
					128/203.12
D491,255	S *	6/2004	Glucksman	D23/356
D561,881	S *	2/2008	Huang	D23/356
8,603,397	B2 *	12/2013	Gruenbacher	B60H 3/0028
					422/124
D700,310	S *	2/2014	Brickner	B65D 85/54
					D23/356
D852,408	S *	6/2019	Nettenstrom	A61M 15/0028
					D27/101
2007/0152086	A1 *	7/2007	Yamaguchi	B05B 5/1691
					239/690
2010/0072309	A1 *	3/2010	Hodge	B05B 9/04
					239/690
2010/0163042	A1 *	7/2010	Bhowmick	A61M 15/0041
					128/203.15
2014/0000601	A1 *	1/2014	Arvidsson	A61M 15/0075
					128/203.15
2014/0076315	A1 *	3/2014	Von Schuckmann	A61M 15/0035
					128/203.15

2014/0083422	A1 *	3/2014	Arvidsson	A61M 15/0043
					128/203.21
2015/0059747	A1 *	3/2015	Von Schuckmann	A61M 15/0026
					128/203.15
2015/0343159	A1 *	12/2015	Farr	A61M 15/0026
					128/203.15
2016/0045684	A1 *	2/2016	Ono	A61M 15/0045
					128/203.15
2016/0158470	A1 *	6/2016	Esteve	A61M 15/0041
					128/203.15
2016/0367767	A1 *	12/2016	Cashman	A61N 5/0603
2017/0056608	A1 *	3/2017	McDerment	A61M 15/0091
2017/0064999	A1 *	3/2017	Perez	B65D 85/54
2017/0173607	A1 *	6/2017	Wright	B05B 5/03
2019/0046745	A1 *	2/2019	Nettenstrom	A24F 40/44

OTHER PUBLICATIONS

Revlon Ultimate Glow Facial Steamer RVSP3537UK, Jan. 6, 2018, Amazon, site visited Aug. 23, 2021: <https://www.amazon.co.uk/dp/B078HT57TT/> (Year: 2018).*

Kao Fine Fiber Technology Application Deployment Presentation, Nov. 1, 2019, YouTube, site visited Aug. 23, 2021: <https://www.youtube.com/watch?v=8v4InQS1s7A> (Year: 2019).*

Combined Taiwanese Office Action and Search Report dated Mar. 3, 2020 in Patent Application No. 108304859 (with English translation of categories of cited documents), citing documents AO-AQ therein, 5 pages.

* cited by examiner

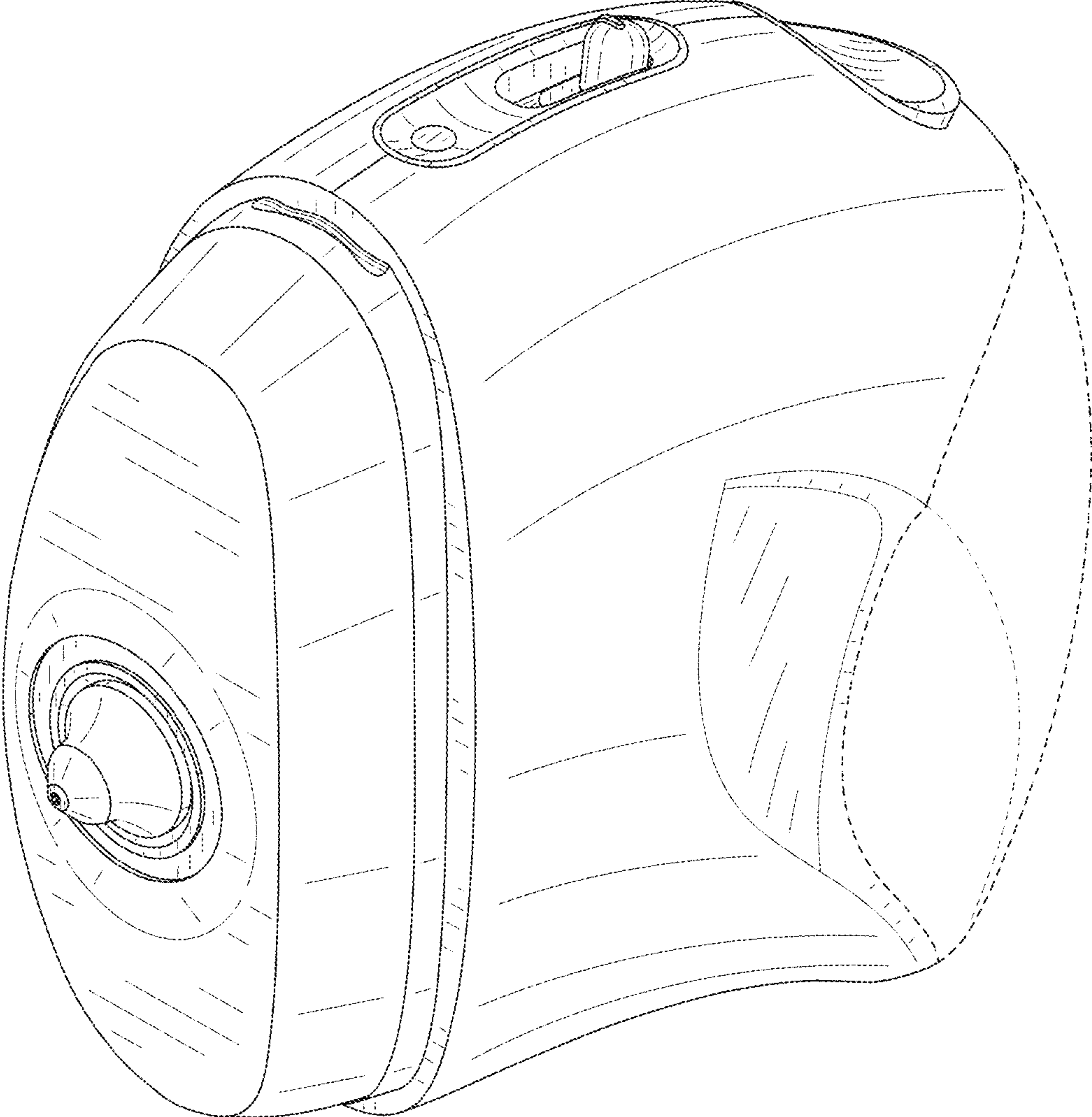


FIG. 1

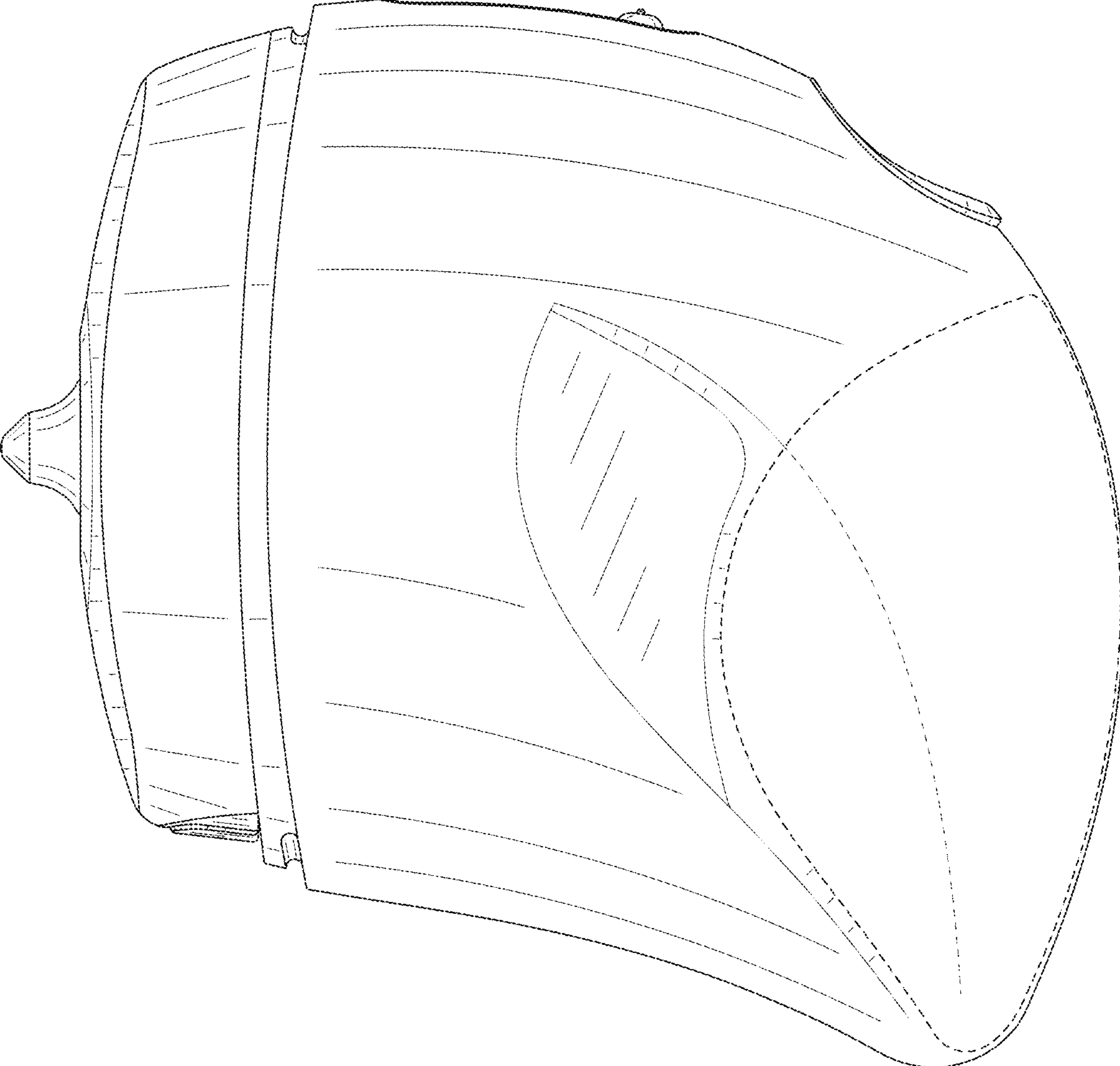


FIG. 2

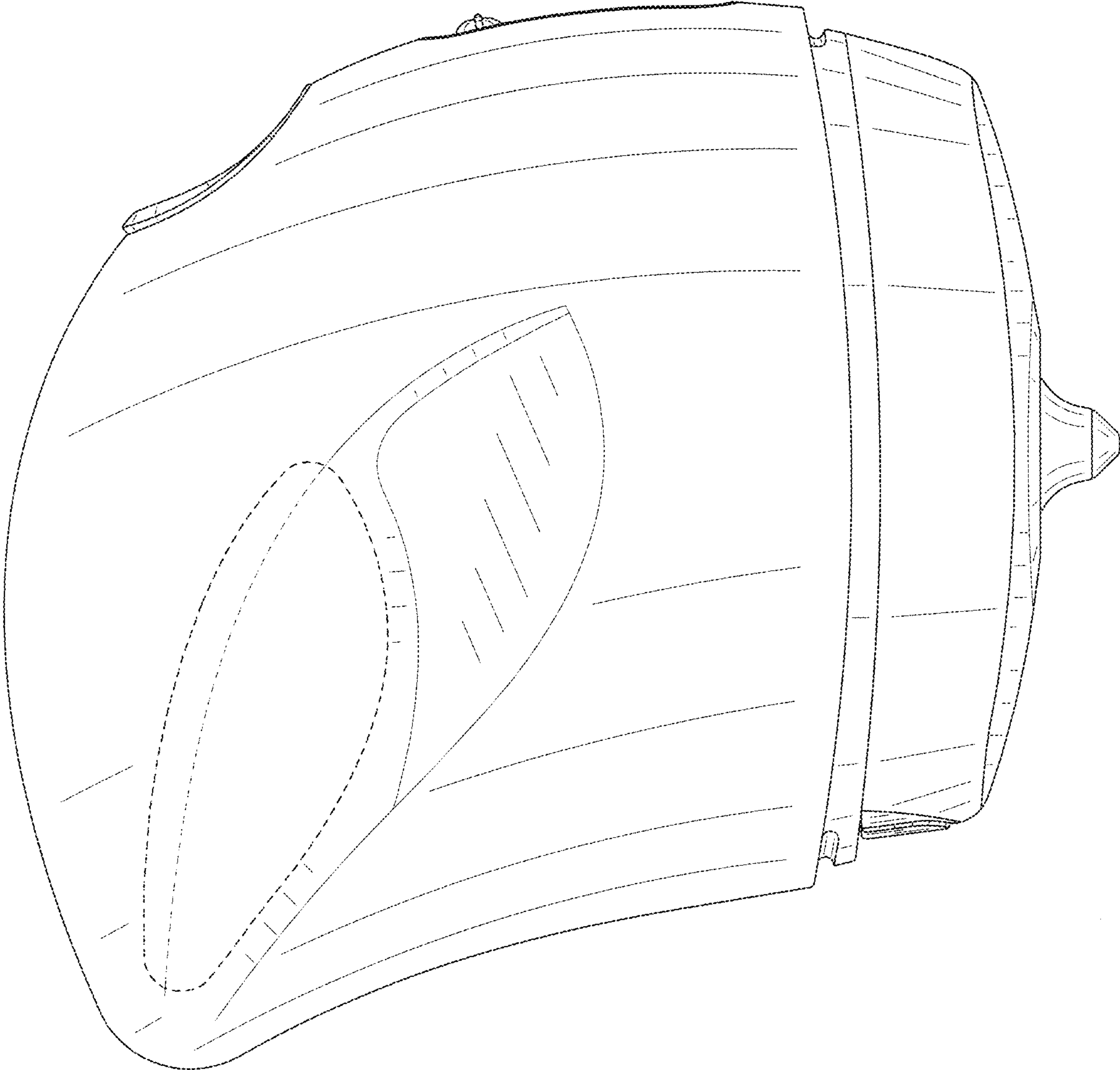


FIG. 3

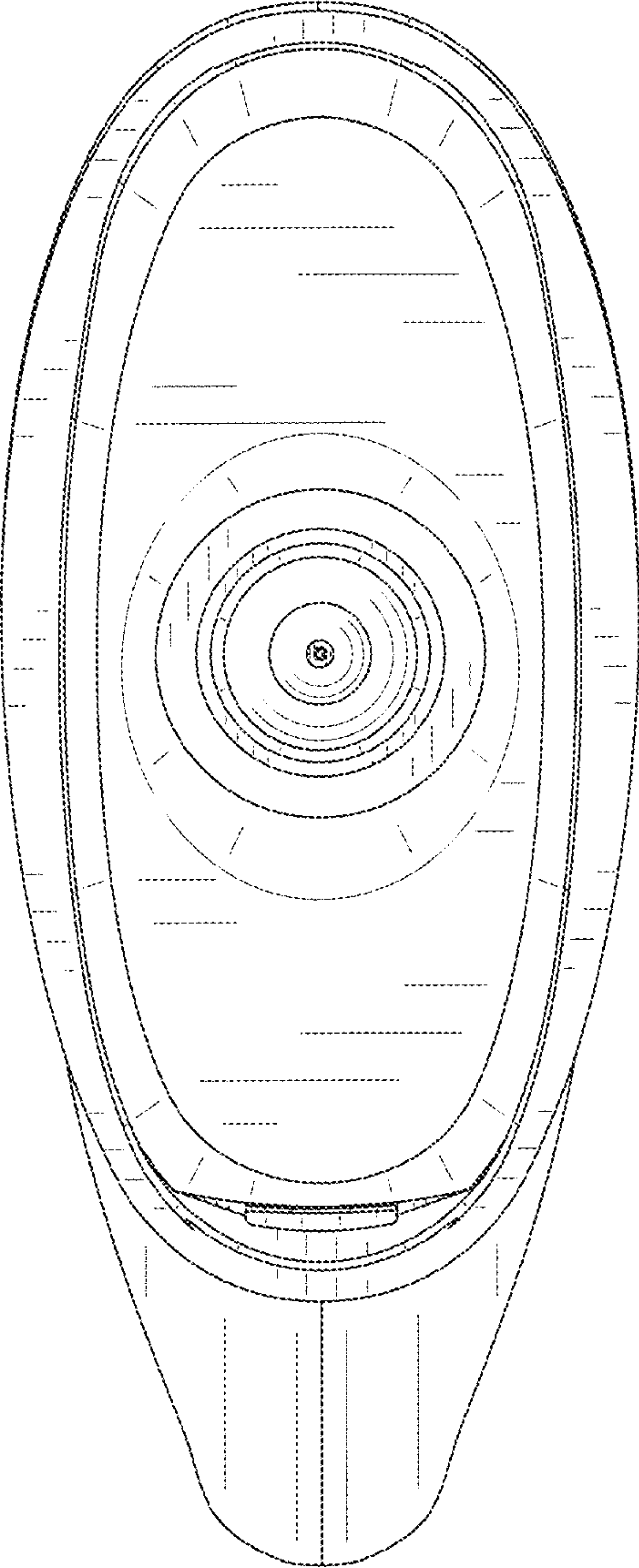


FIG. 4

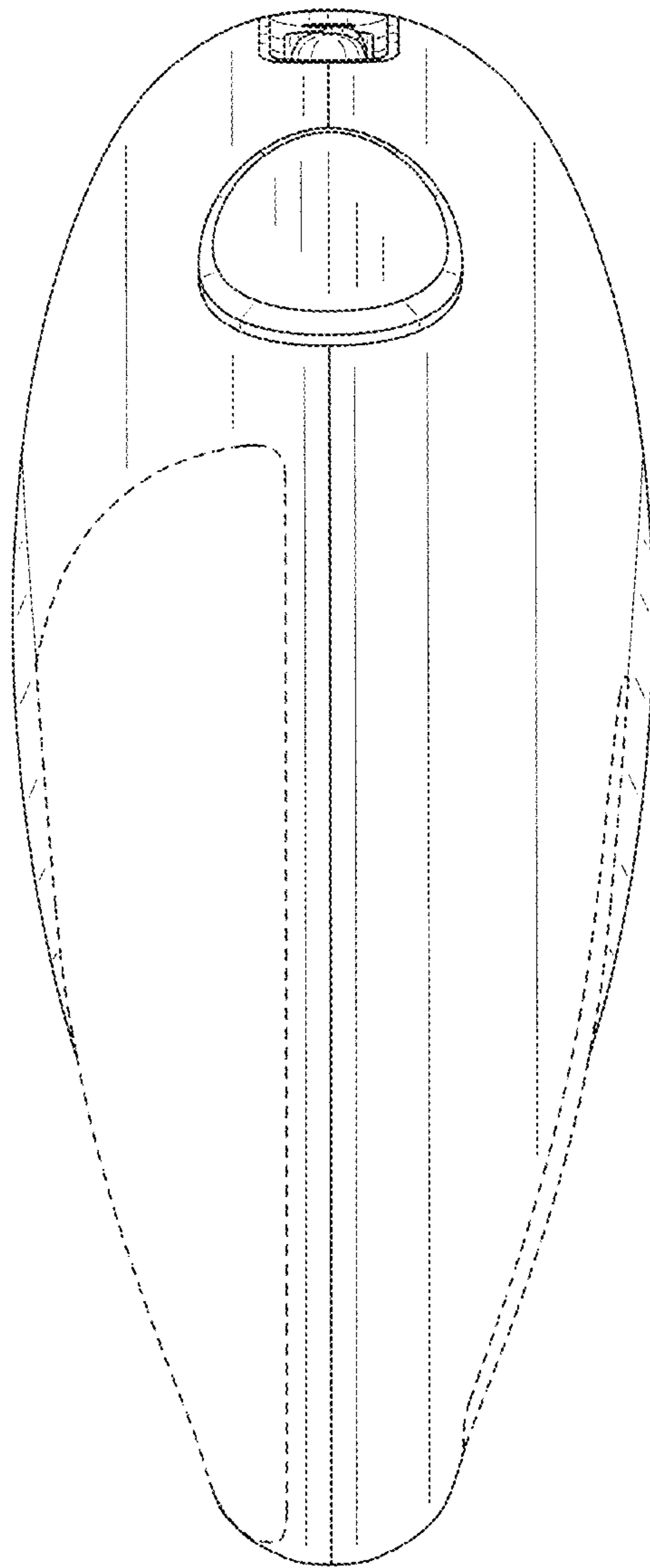


FIG. 5

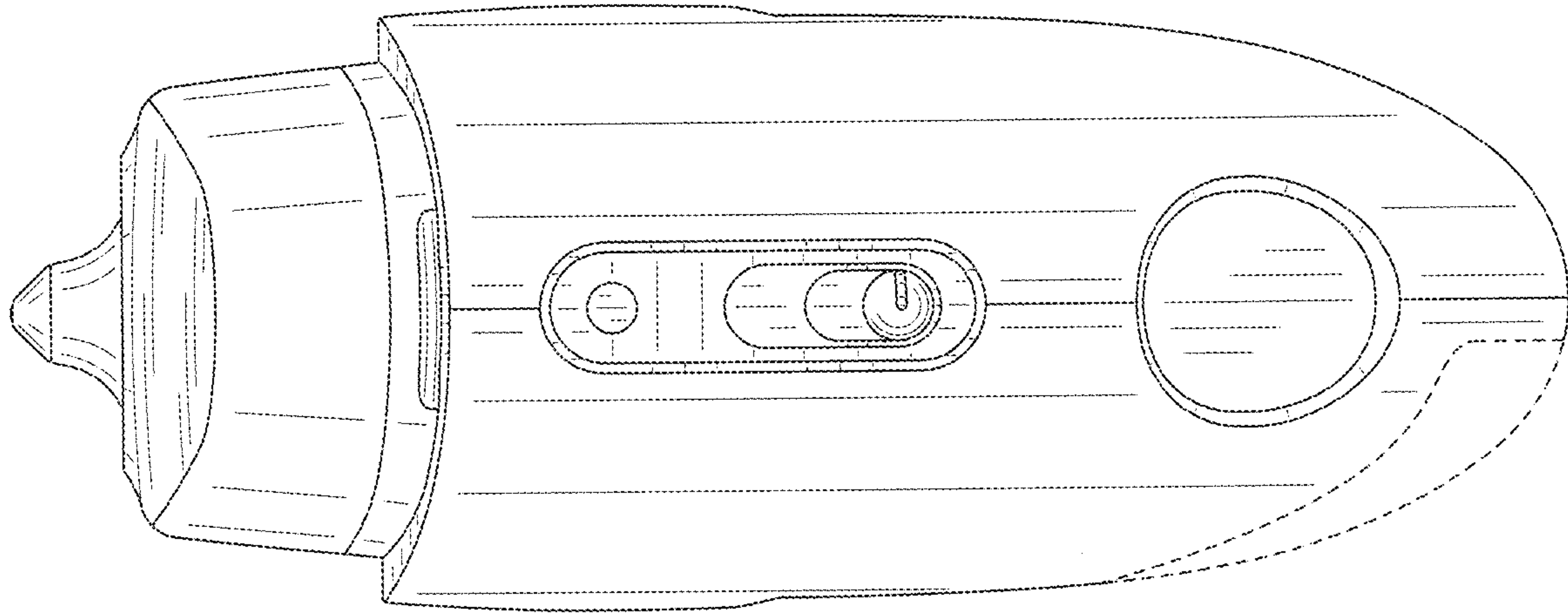


FIG. 6

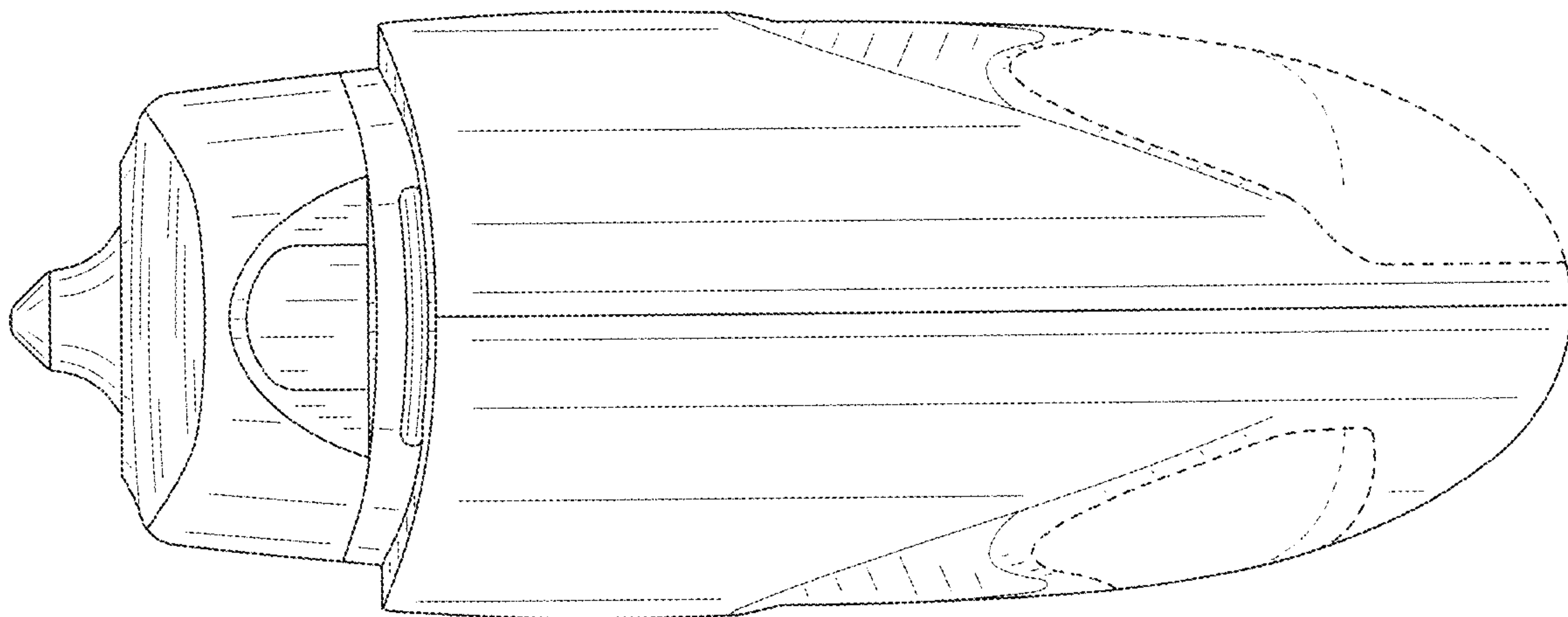


FIG. 7

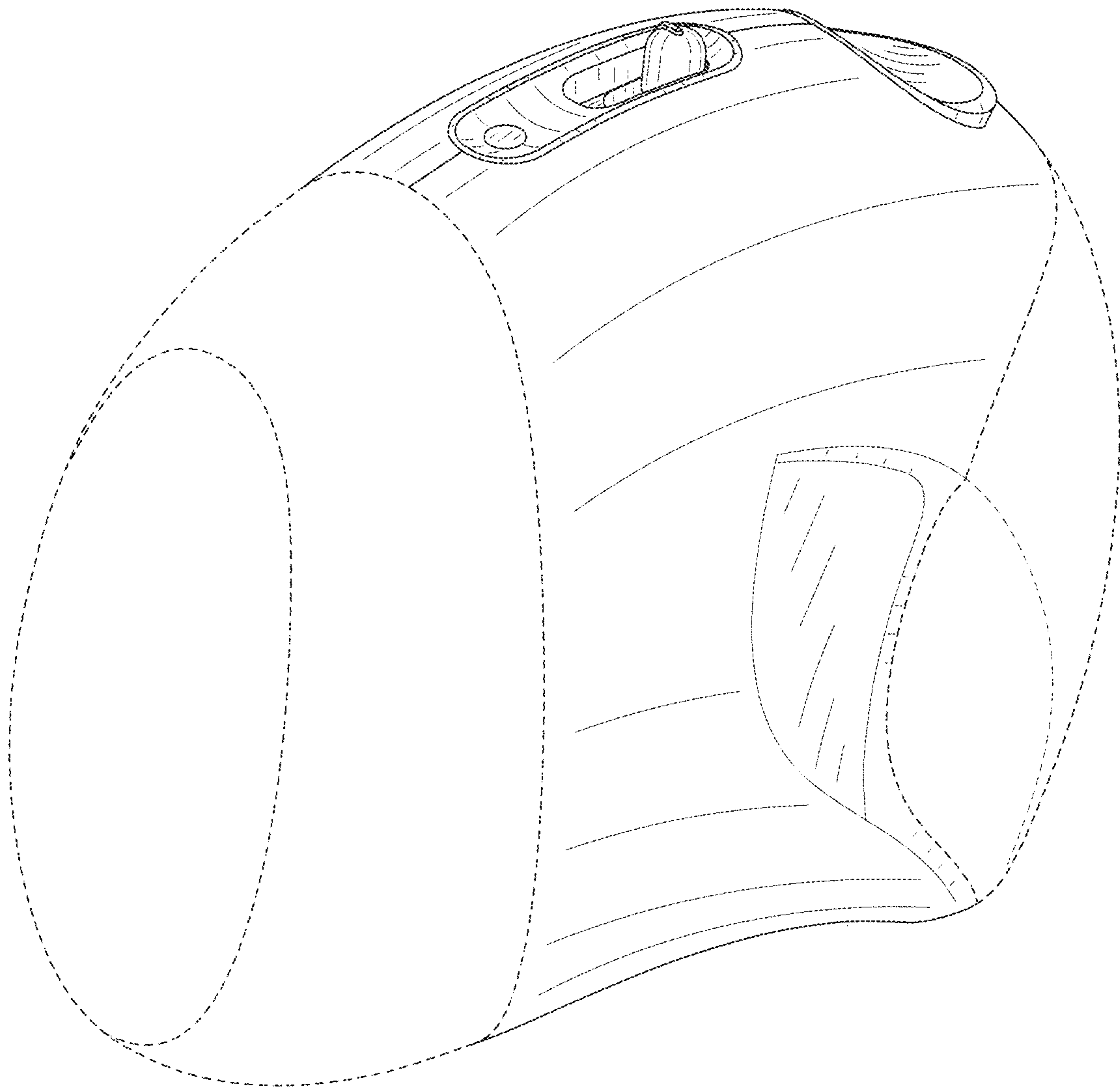


FIG. 8

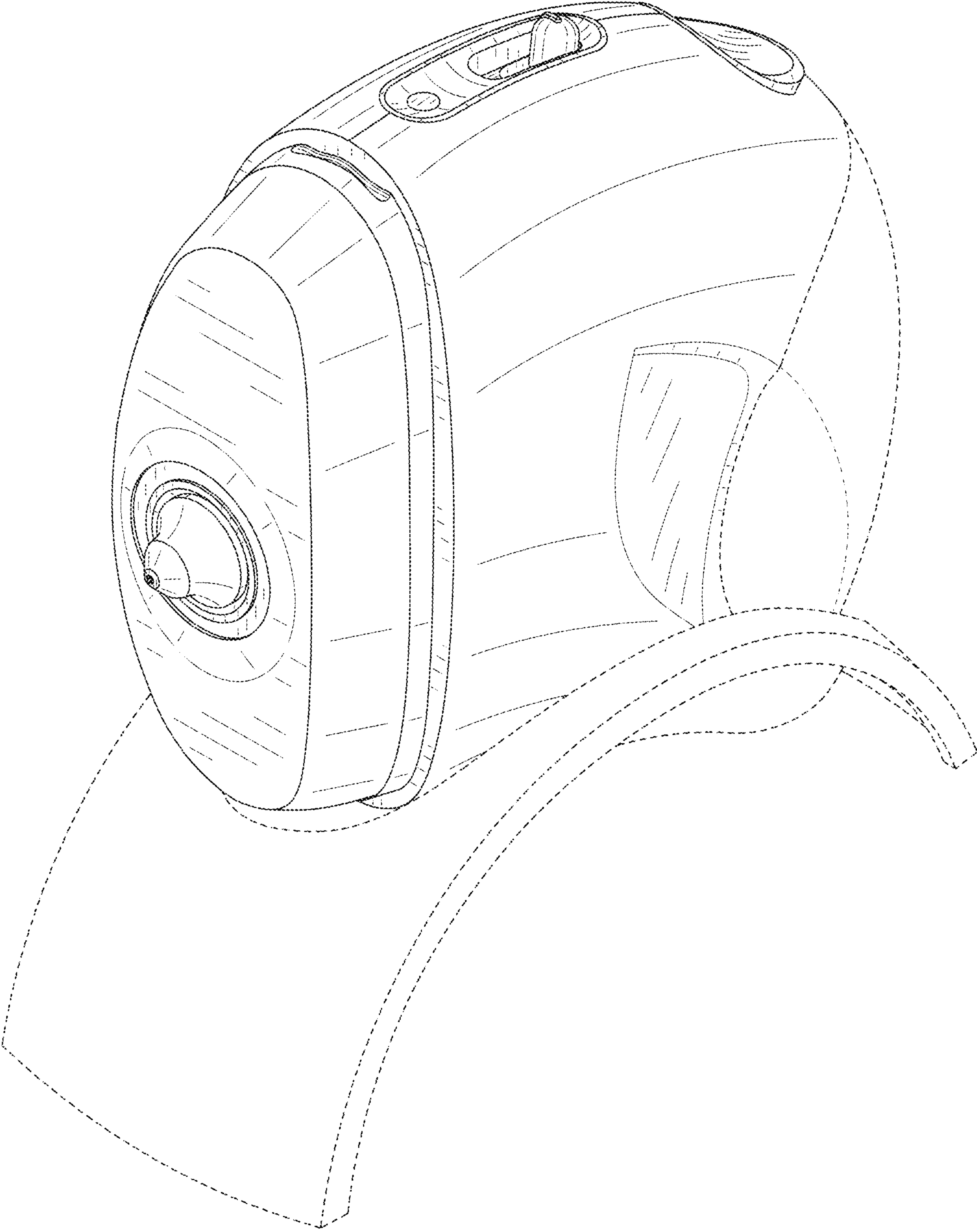


FIG. 9

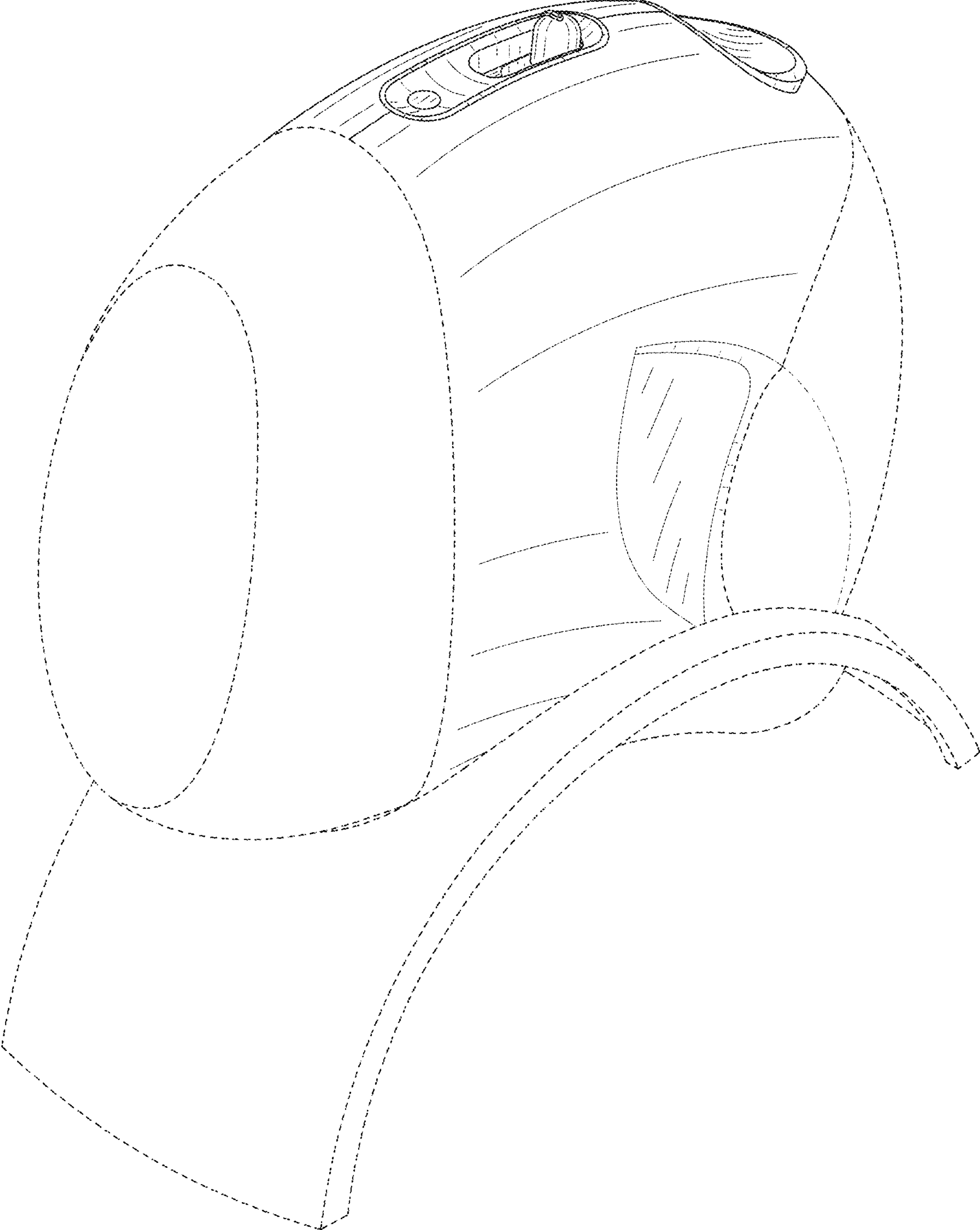


FIG. 10