



US00D940822S

(12) **United States Design Patent**
Chen

(10) **Patent No.:** **US D940,822 S**
(45) **Date of Patent:** **** Jan. 11, 2022**

(54) **GARDENING SPRINKLER ELEPHANT**

D868,207 S * 11/2019 Hsieh D23/214
10,849,465 B2 * 12/2020 Zeanah A47K 3/005
D927,641 S * 8/2021 Li D23/214

(71) Applicant: **Zhiwei Chen**, Guangdong (CN)

(72) Inventor: **Zhiwei Chen**, Guangdong (CN)

(**) Term: **15 Years**

(21) Appl. No.: **29/763,797**

(22) Filed: **Dec. 24, 2020**

(51) **LOC (13) Cl.** **23-01**

(52) **U.S. Cl.**
USPC **D23/215**

(58) **Field of Classification Search**
USPC D23/213, 214, 215, 222, 223, 224, 226,
D23/229, 230, 256; D21/616
CPC A61H 9/0021; A61H 33/00; B05B 1/00;
B05B 1/14; B05B 1/185; B05B 1/08;
B05B 1/02; B05B 1/26; B05B 12/002;
B05B 1/18; B05B 9/01

See application file for complete search history.

(56) **References Cited**

U.S. PATENT DOCUMENTS

D216,883 S * 3/1970 Katzman D23/215
D323,205 S * 1/1992 Klose D23/222
5,125,577 A * 6/1992 Frankel E03C 1/02
239/211
5,307,993 A * 5/1994 Simonetti B05B 3/06
239/247
D399,915 S * 10/1998 McEachen D23/214
6,082,633 A * 7/2000 Kephart B05B 15/625
239/211
D501,040 S * 1/2005 Gieson A47K 3/005
D23/222
D676,927 S * 2/2013 Svendsen D23/223
D691,699 S * 10/2013 Berger D23/213
D865,073 S * 10/2019 Weisman D21/473

OTHER PUBLICATIONS

Watering Pot, Household Flower Watering Pot, Cute Little Elephant, Sep. 3, 2020, amazon.co.uk. Oct. 22, 2021, URL: <https://www.amazon.co.uk/dp/B08HCMM9CM> (Year: 2020).*
EARSOON Kids Bath Toys Electric Elephant, Jul. 28, 2020, amazon.co.uk. Oct. 22, 2021, URL: <https://www.amazon.co.uk/EARSOON-Electric-Elephant-Children-Bathing/dp/B08DR85H82> (Year: 2020).*
Elephant Shaped Sprinkler Water Sprayer Toy, Mar. 21, 2019, amazon.co.uk. Oct. 22, 2021, URL: <https://www.amazon.co.uk/Plastic-Watering-Elephant-Sprinkler-Sprayer/dp/B07PVH5VKF> (Year: 2019).*

* cited by examiner

Primary Examiner — Jack Reickel
Assistant Examiner — Keith J Wilson

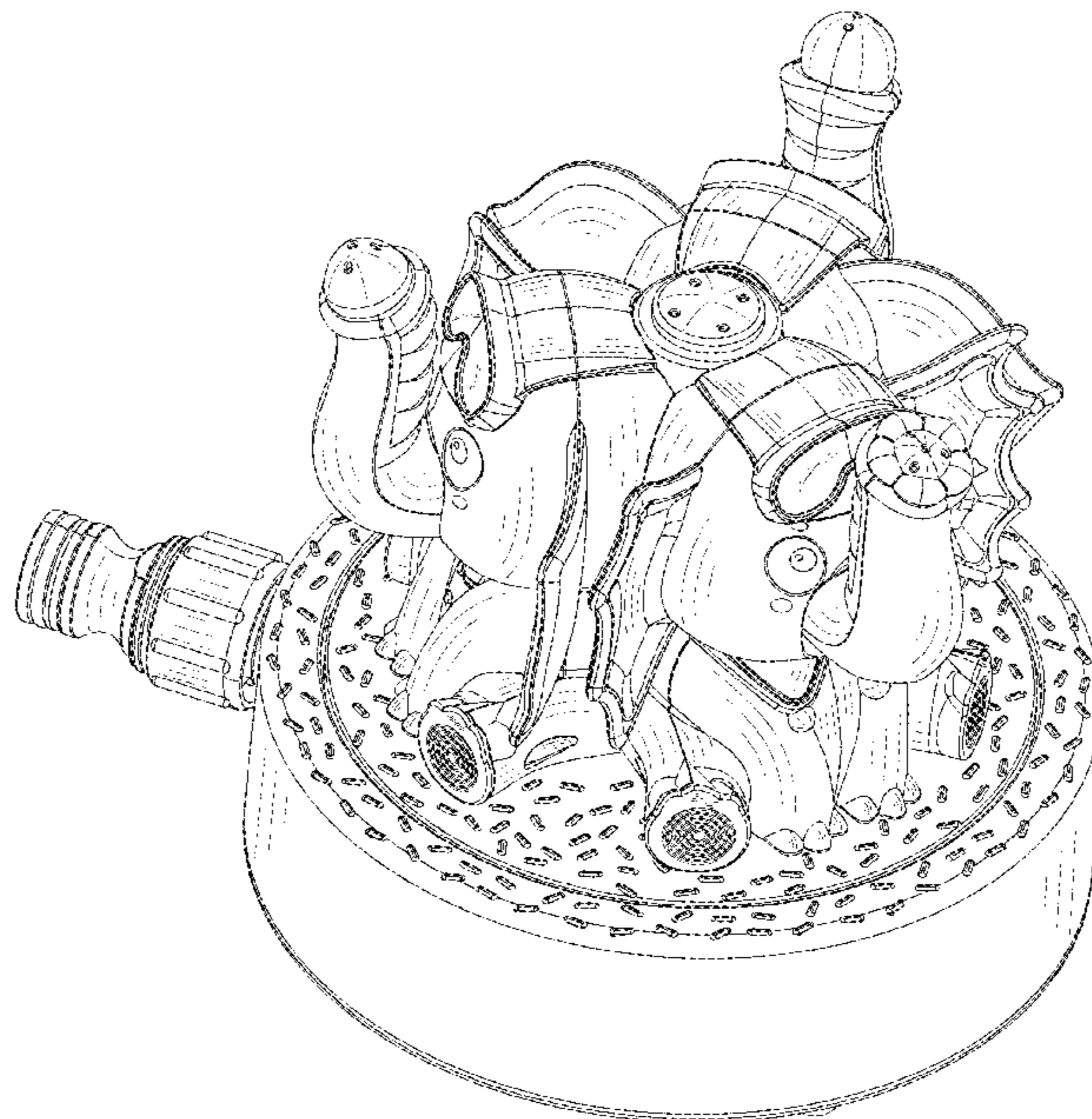
(57) **CLAIM**

The ornamental design for a gardening sprinkler elephant, as shown and described.

DESCRIPTION

FIG. 1 is a perspective view of a gardening sprinkler elephant showing my new design;
FIG. 2 is a front elevational view thereof;
FIG. 3 is a rear elevational view thereof;
FIG. 4 is a left side elevational view thereof;
FIG. 5 is a right side elevational view thereof;
FIG. 6 is a top plan view thereof; and,
FIG. 7 is a bottom plan view thereof.
The broken lines throughout the drawing figures depict portions of the gardening sprinkler elephant that form no part of the claimed design.

1 Claim, 7 Drawing Sheets



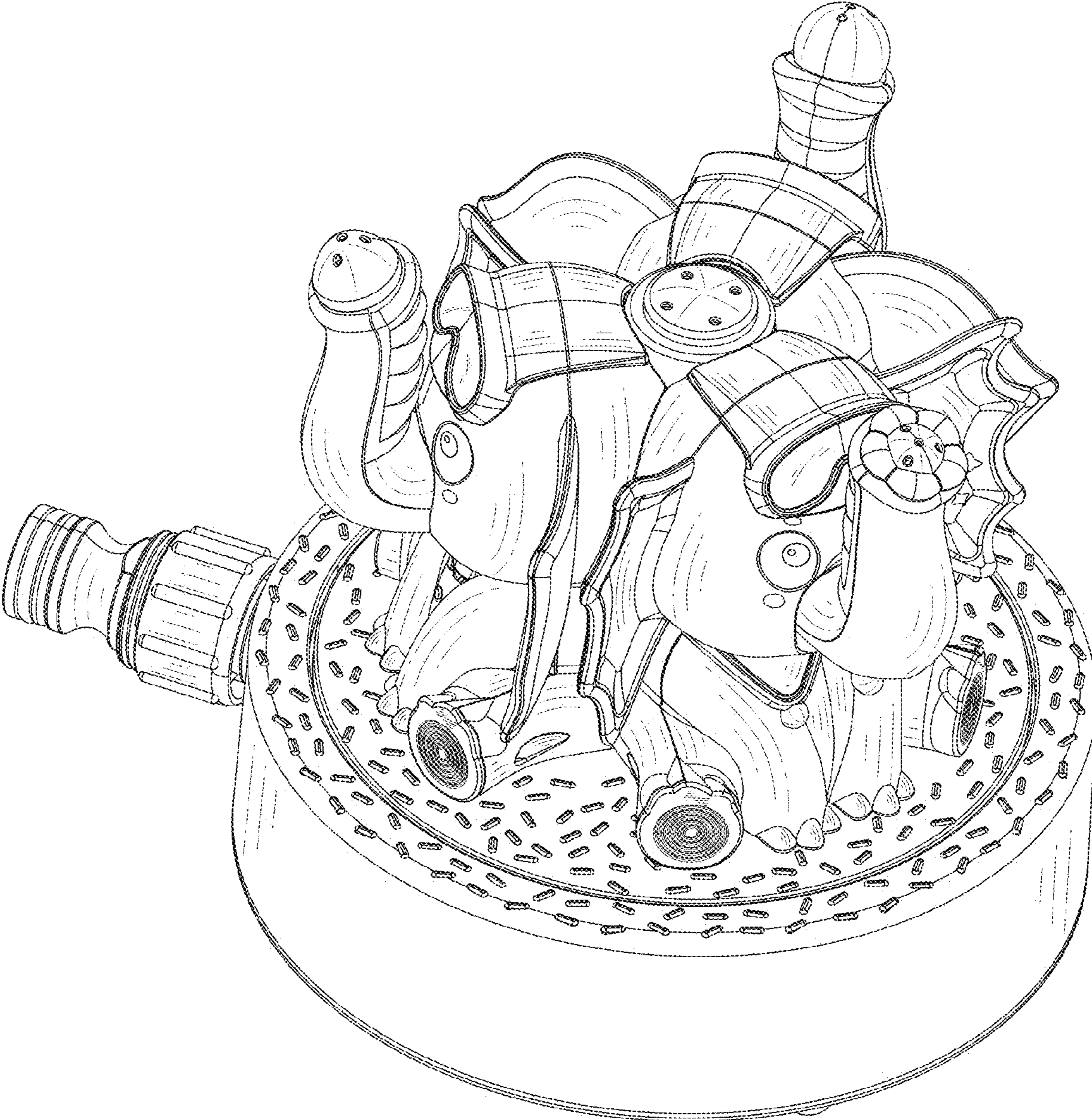


FIG.1

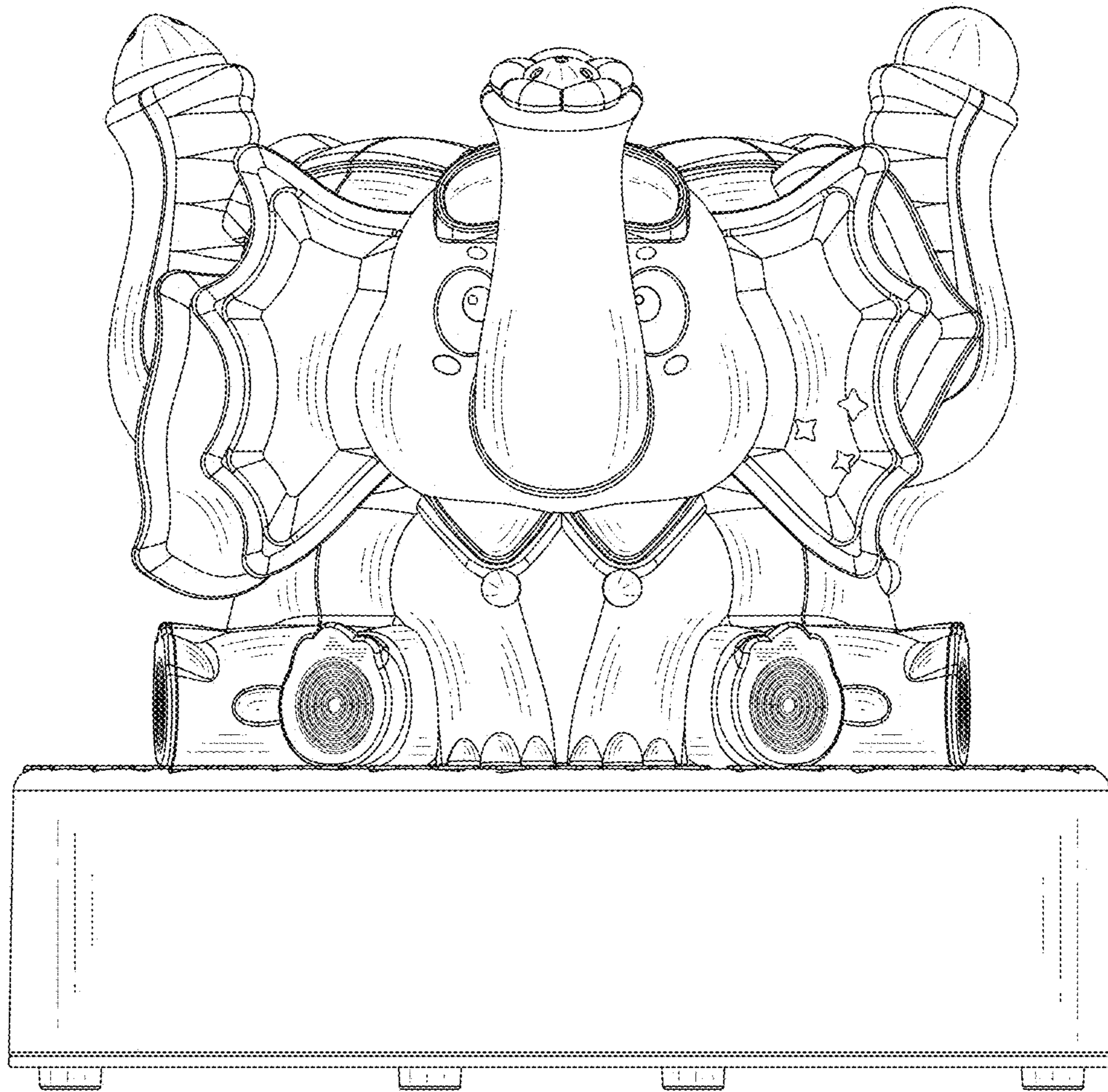


FIG.2

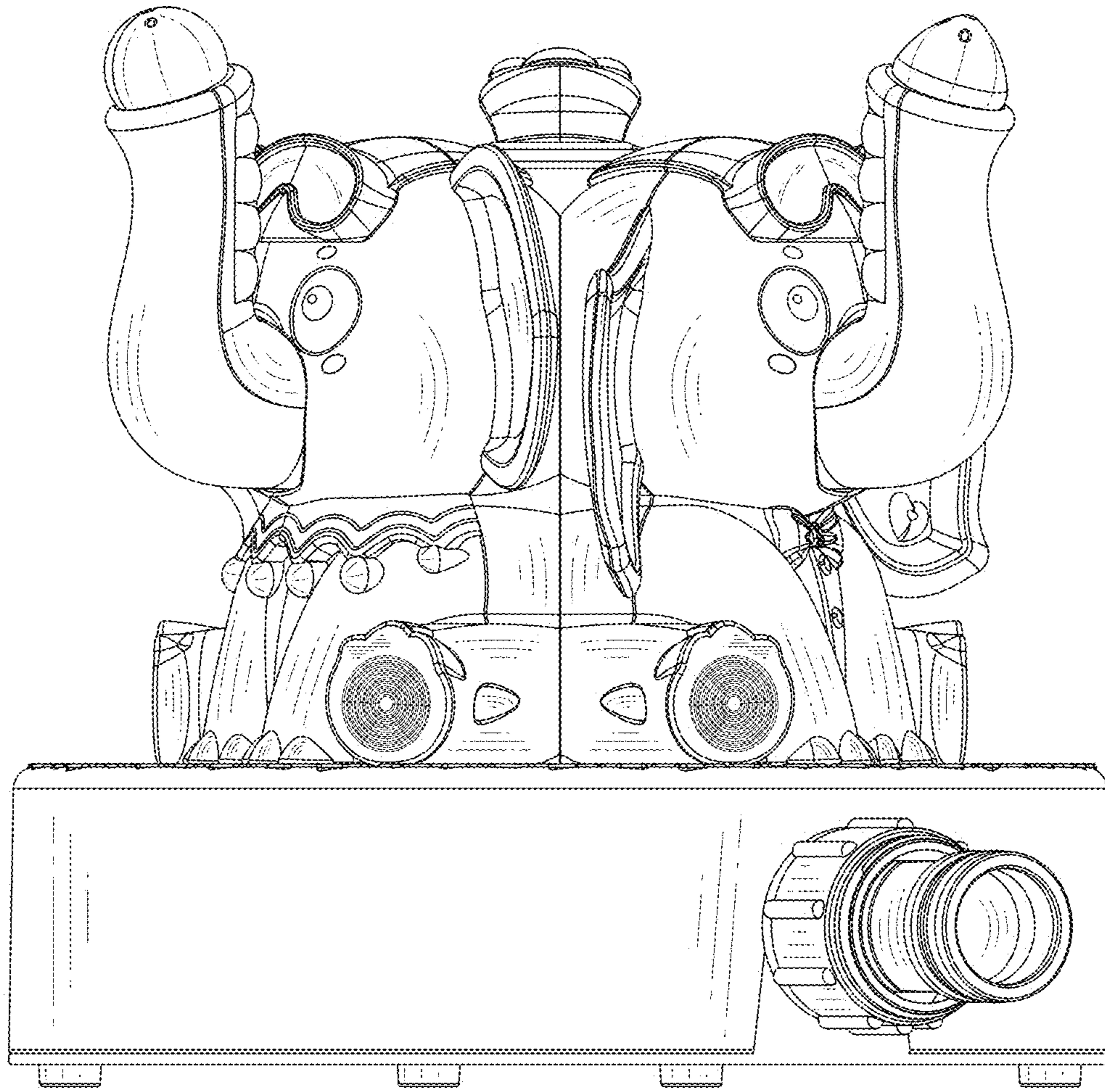


FIG.3

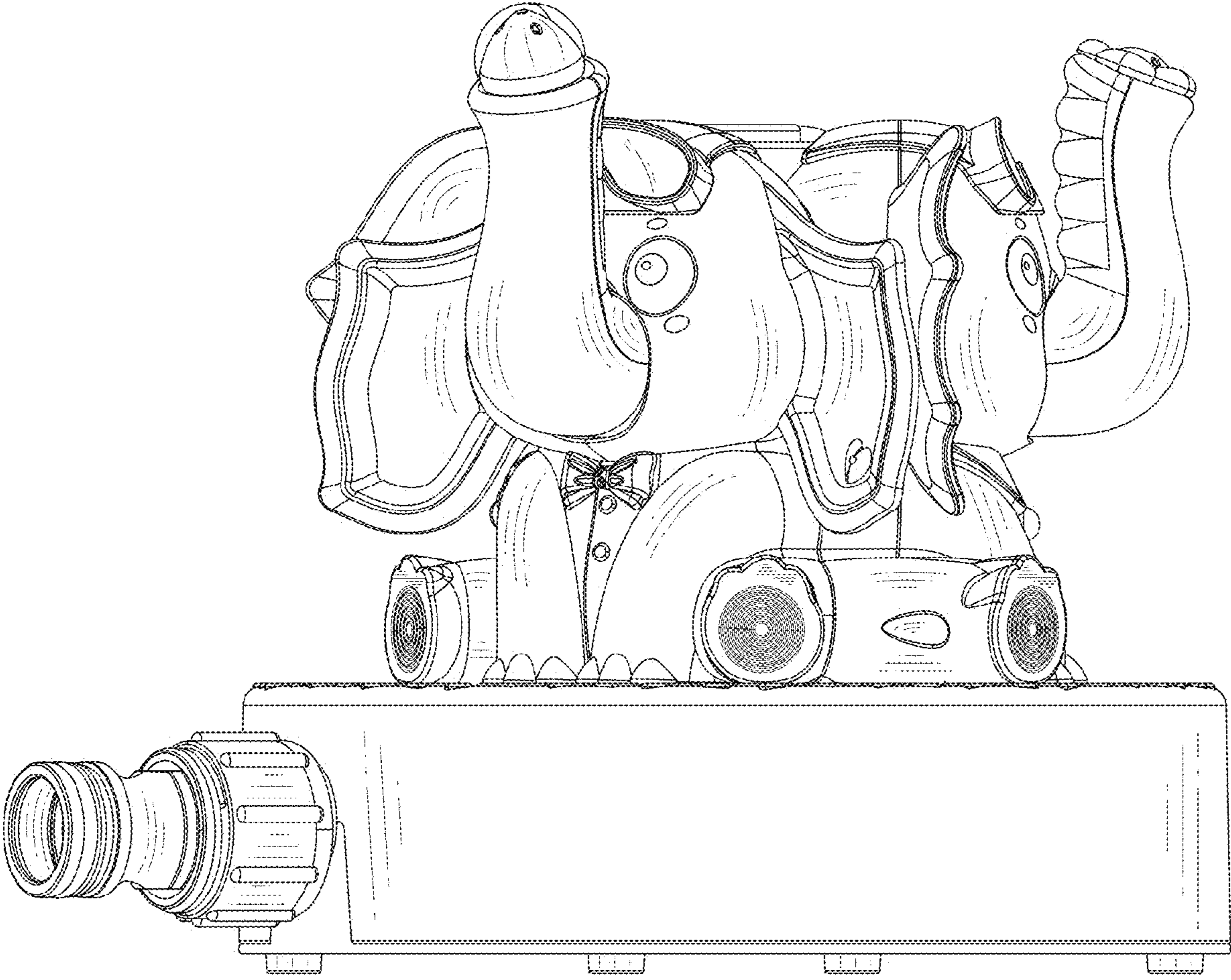


FIG.4

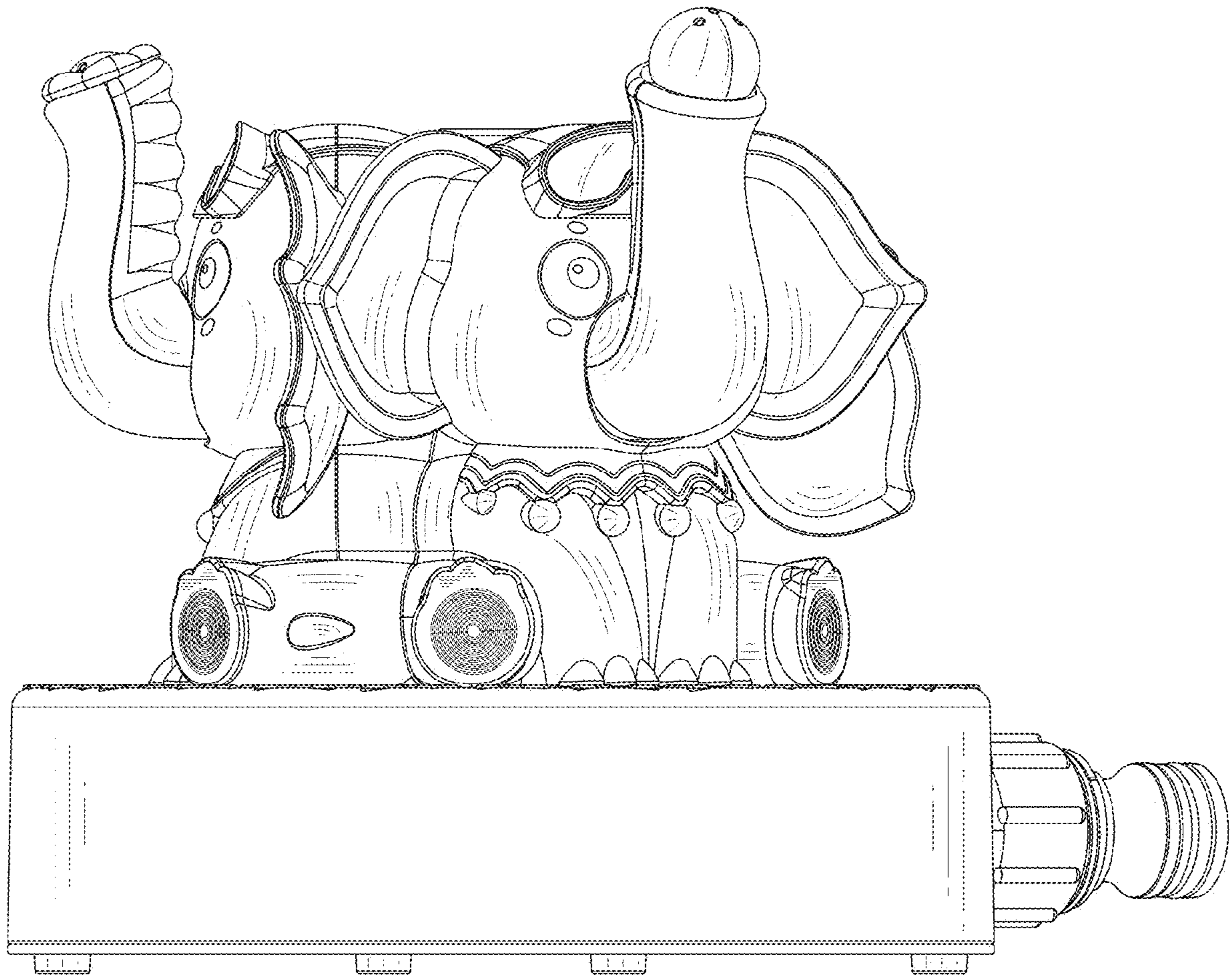


FIG.5

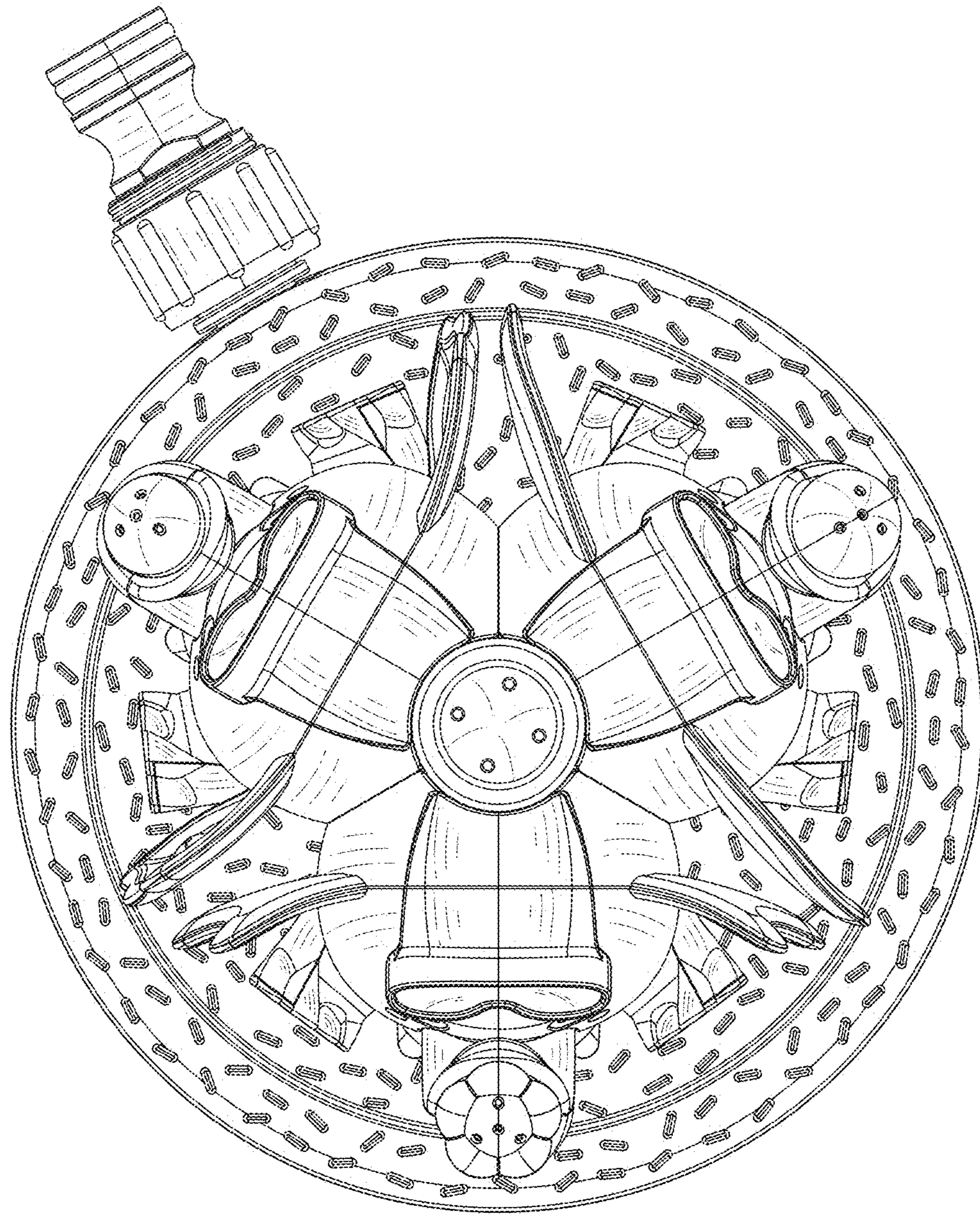


FIG.6

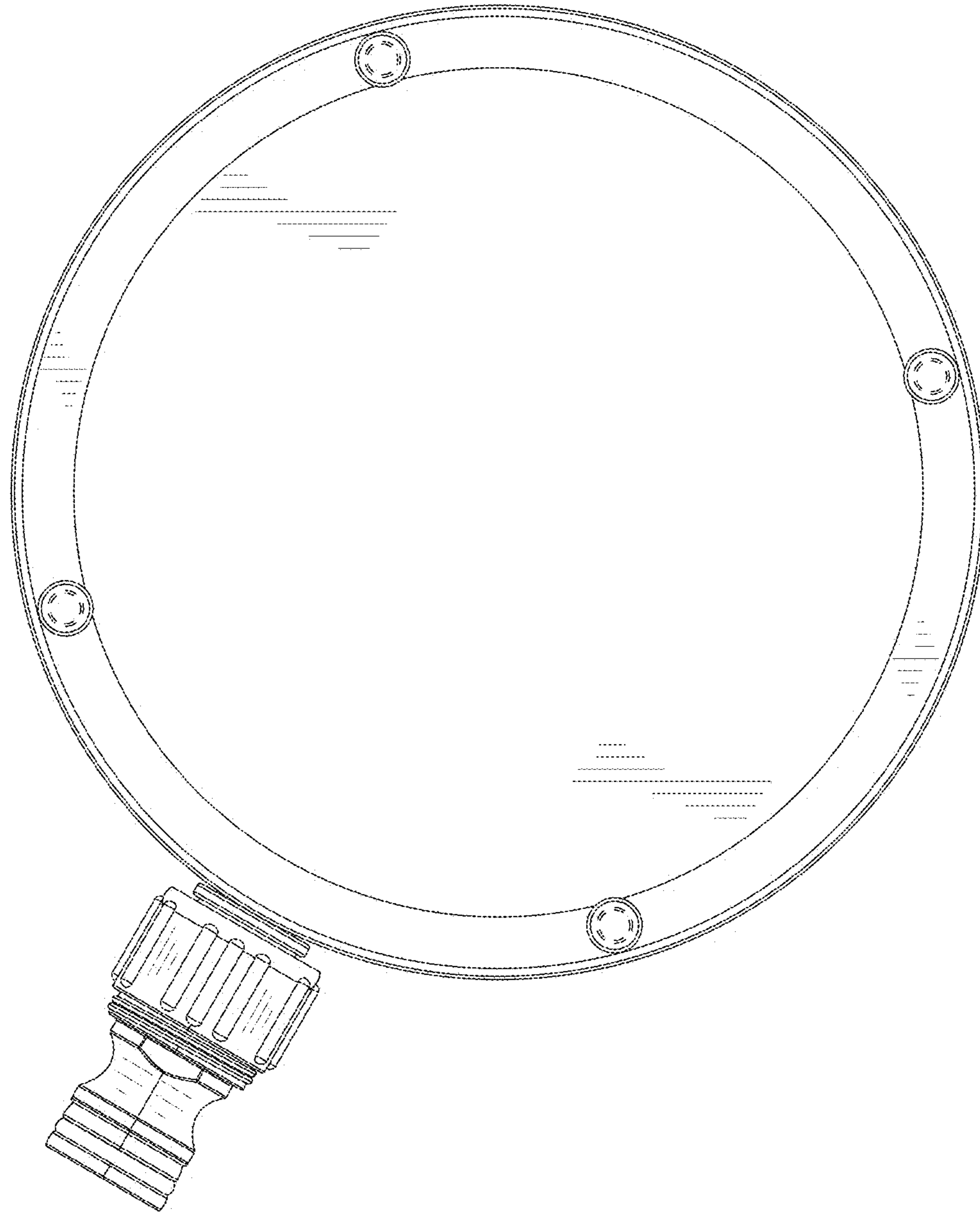


FIG.7