



US00D940821S

(12) **United States Design Patent** (10) **Patent No.:** **US D940,821 S**  
**Xu** (45) **Date of Patent:** **\*\* Jan. 11, 2022**

(54) **ELEPHANT SPRAYER**

OTHER PUBLICATIONS

(71) Applicant: **Zhu Xu**, Guangdong (CN)

Watering Pot, Household Flower Watering Pot, Cute Little Elephant, Sep. 3, 2020, amazon.co.uk. Oct. 22, 2021, URL: <https://www.amazon.co.uk/dp/B08HCMM9CM> (Year: 2020).\*

(72) Inventor: **Zhu Xu**, Guangdong (CN)

EARSOON Kids Bath Toys Electric Elephant, Jul. 28, 2020, amazon.co.uk. Oct. 22, 2021, URL: <https://www.amazon.co.uk/EARSOON-Electric-Elephant-Children-Bathing/dp/B08DR85H82> (Year: 2020).\*

(\*\*) Term: **15 Years**

Elephant Shaped Sprinkler Water Sprayer Toy, Mar. 21, 2019, amazon.co.uk. Oct. 22, 2021, URL: <https://www.amazon.co.uk/Plastic-Watering-Elephant-Sprinkler-Sprayer/dp/B07PVH5VKF> (Year: 2019).\*

(21) Appl. No.: **29/760,060**

(22) Filed: **Nov. 27, 2020**

(51) **LOC (13) Cl.** ..... **23-01**

(52) **U.S. Cl.**  
USPC ..... **D23/215**

\* cited by examiner

(58) **Field of Classification Search**

*Primary Examiner* — Jack Reickel  
*Assistant Examiner* — Keith J Wilson

USPC ..... D23/213, 214, 215, 222, 223, 224, 226,  
D23/229, 230, 256; D21/616  
CPC ..... A61H 9/0021; A61H 33/00; B05B 1/00;  
B05B 1/14; B05B 1/185; B05B 1/08;  
B05B 1/02; B05B 1/26; B05B 12/002;  
B05B 1/18; B05B 9/01

(57) **CLAIM**

The ornamental design for an elephant sprayer, as shown and described.

See application file for complete search history.

**DESCRIPTION**

(56) **References Cited**

FIG. 1 is a perspective view of an elephant sprayer showing my new design;

U.S. PATENT DOCUMENTS

FIG. 2 is a front elevational view thereof;

D216,883 S \* 3/1970 Katzman ..... D23/215  
D323,205 S \* 1/1992 Klose ..... D23/222  
5,125,577 A \* 6/1992 Frankel ..... E03C 1/02  
239/211  
D501,040 S \* 1/2005 Gieson ..... A47K 3/005  
D23/222  
D676,927 S \* 2/2013 Svendsen ..... D23/223  
D691,699 S \* 10/2013 Berger ..... D23/213  
D865,073 S \* 10/2019 Weisman ..... D21/473  
10,849,465 B2 \* 12/2020 Zeanah ..... A47K 3/005

FIG. 3 is a rear elevational view thereof;

FIG. 4 is a left side elevational view thereof;

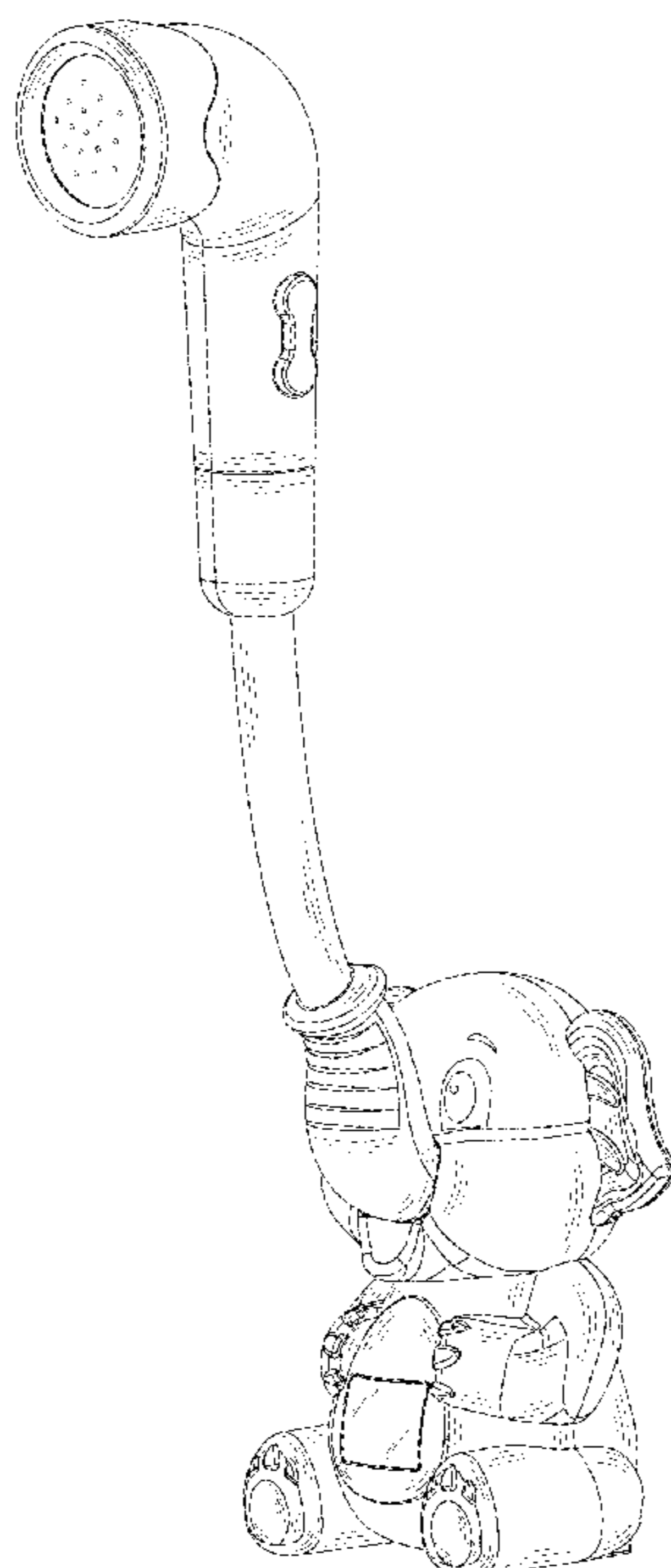
FIG. 5 is a right side elevational view thereof;

FIG. 6 is a top plan view thereof; and,

FIG. 7 is a bottom plan view thereof.

The broken lines throughout the drawing figures depict portions of the elephant sprayer that form no part of the claimed design.

**1 Claim, 7 Drawing Sheets**



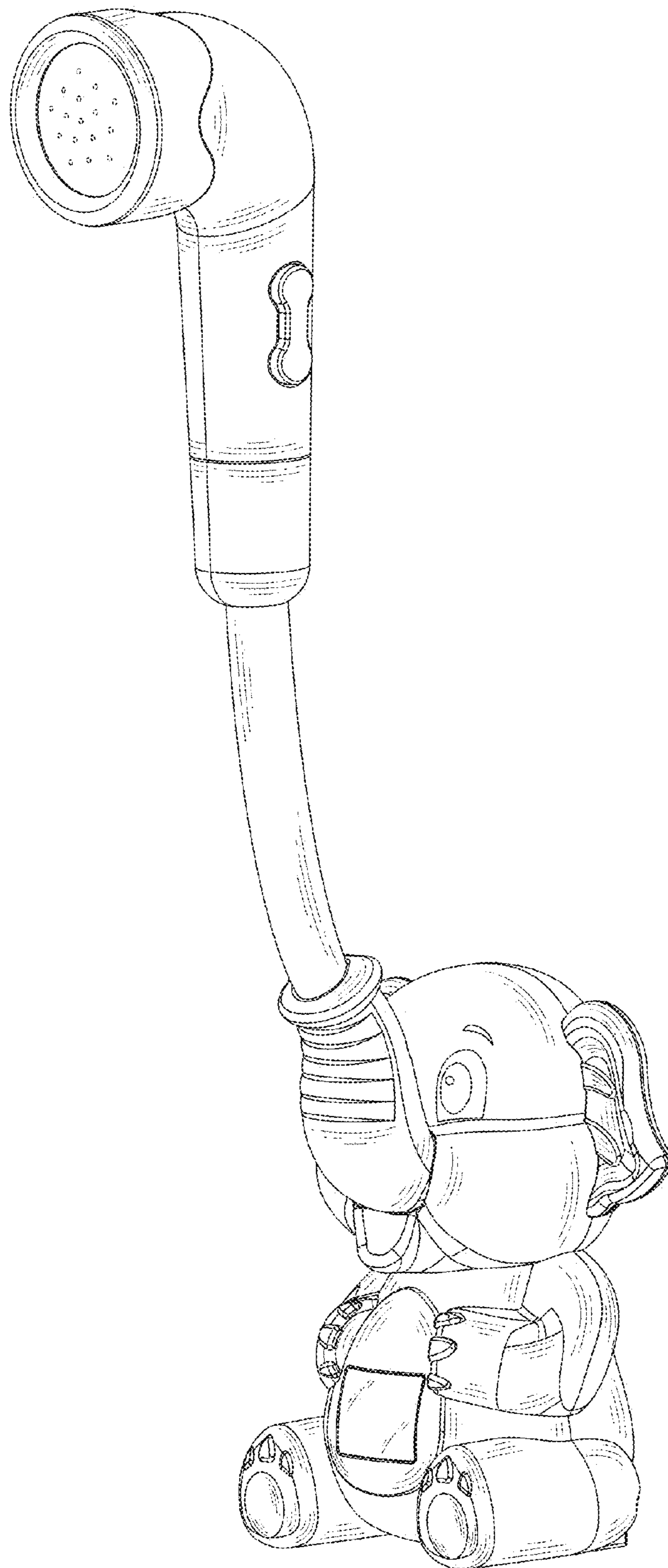


FIG.1

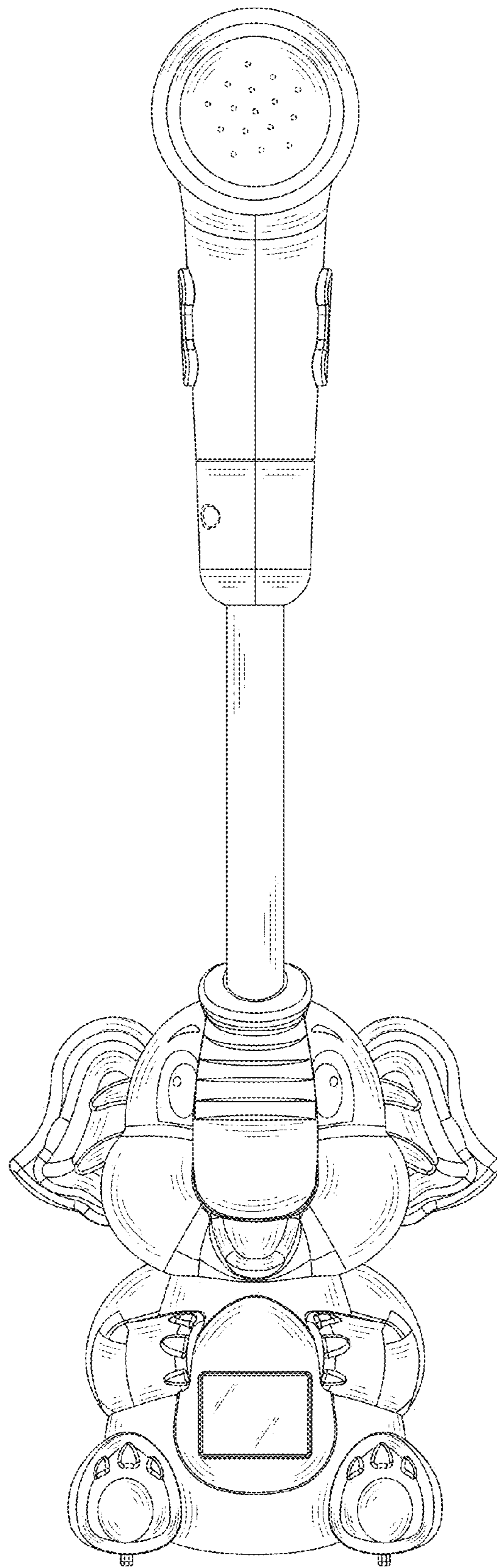


FIG.2

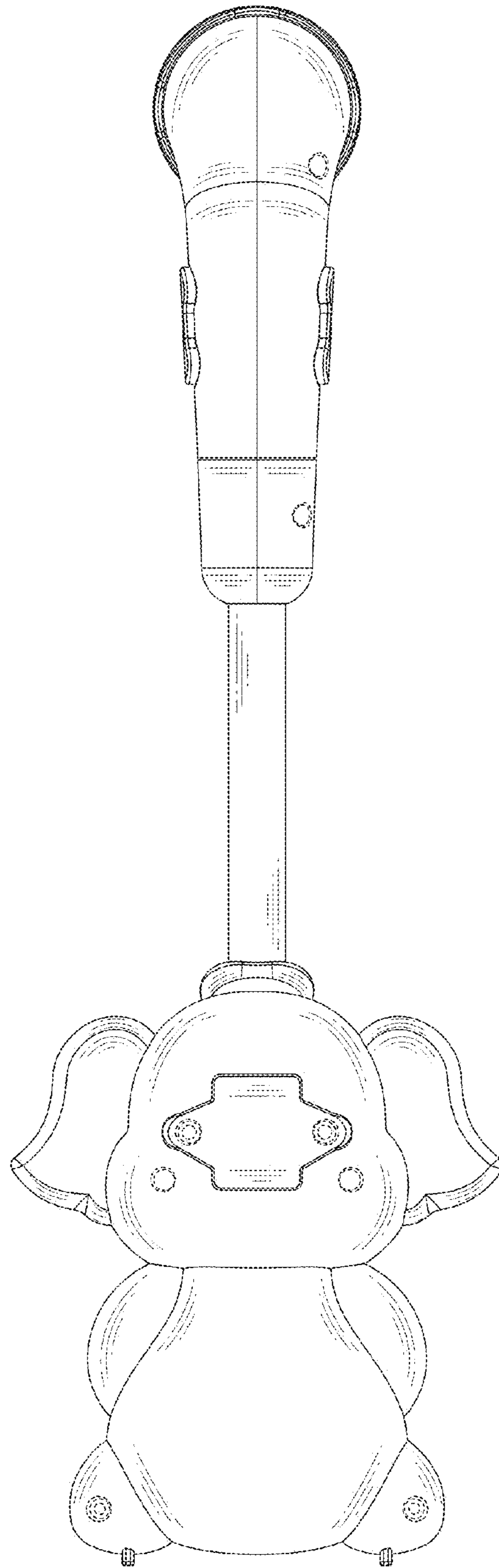


FIG.3

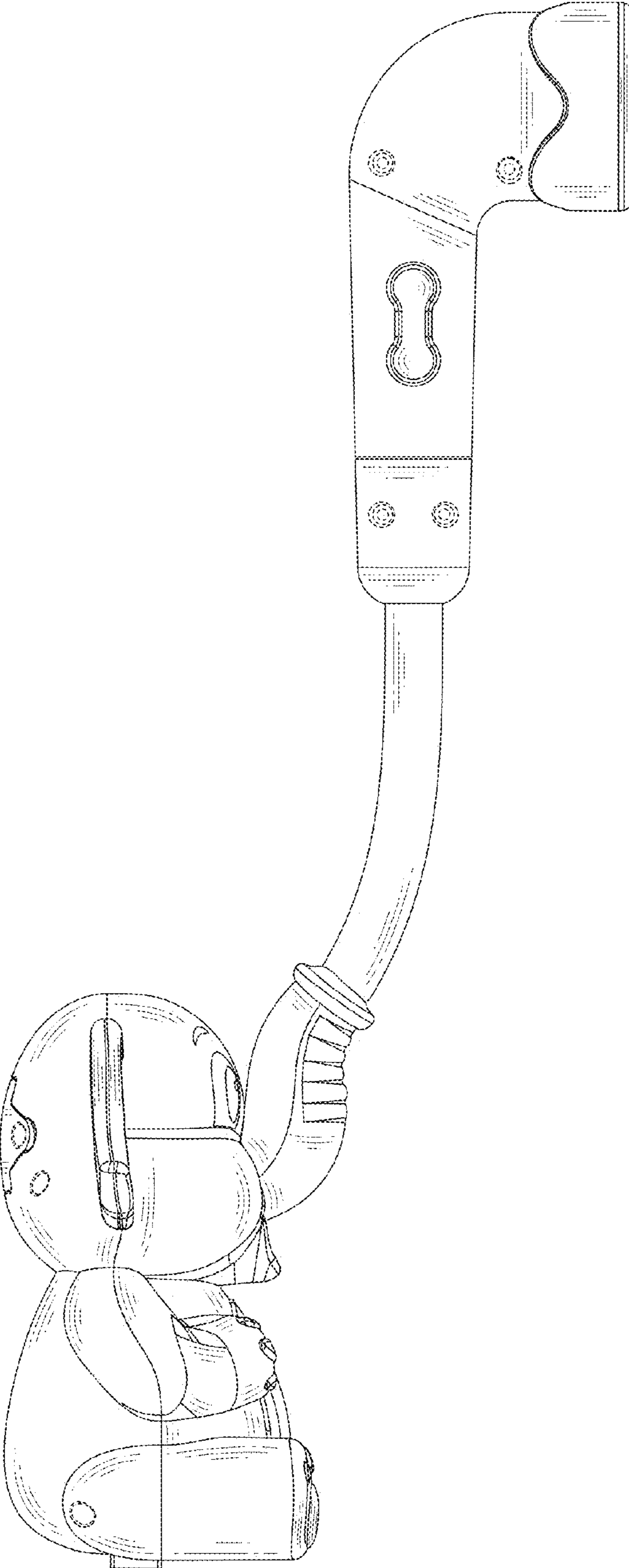


FIG.4

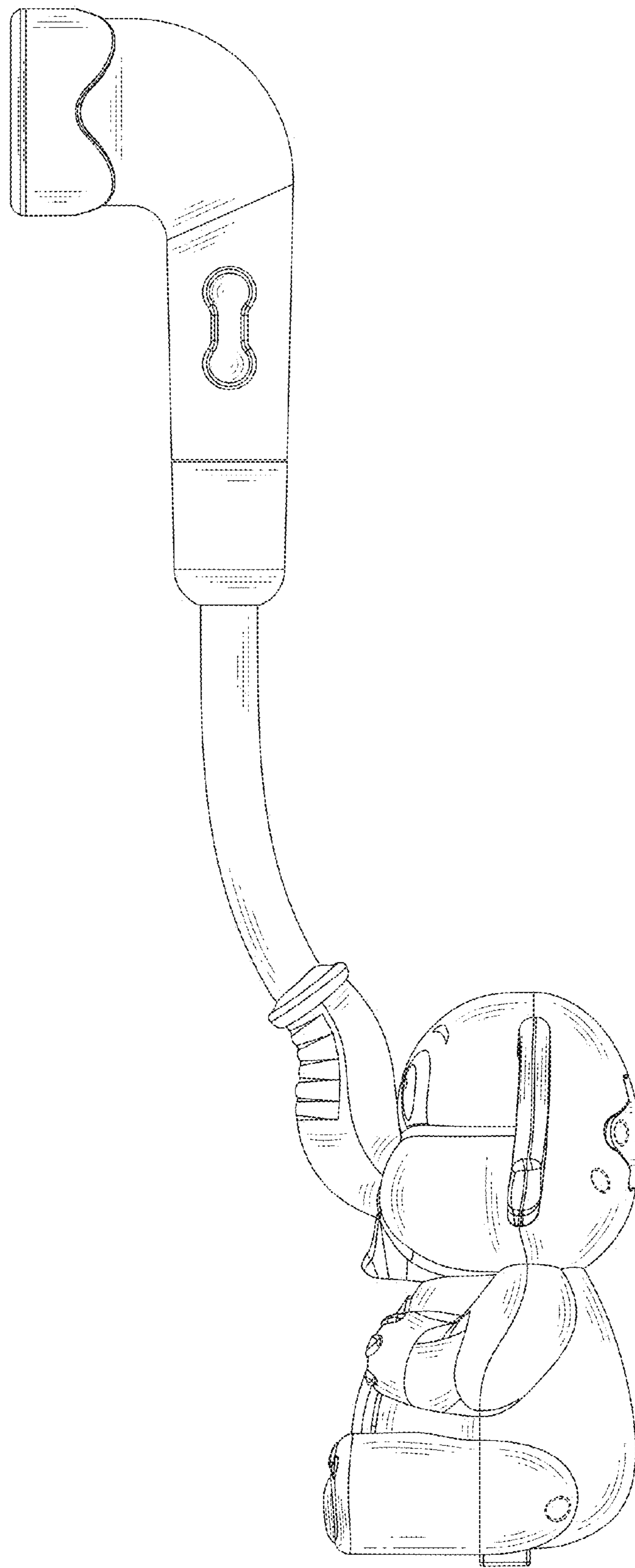


FIG.5

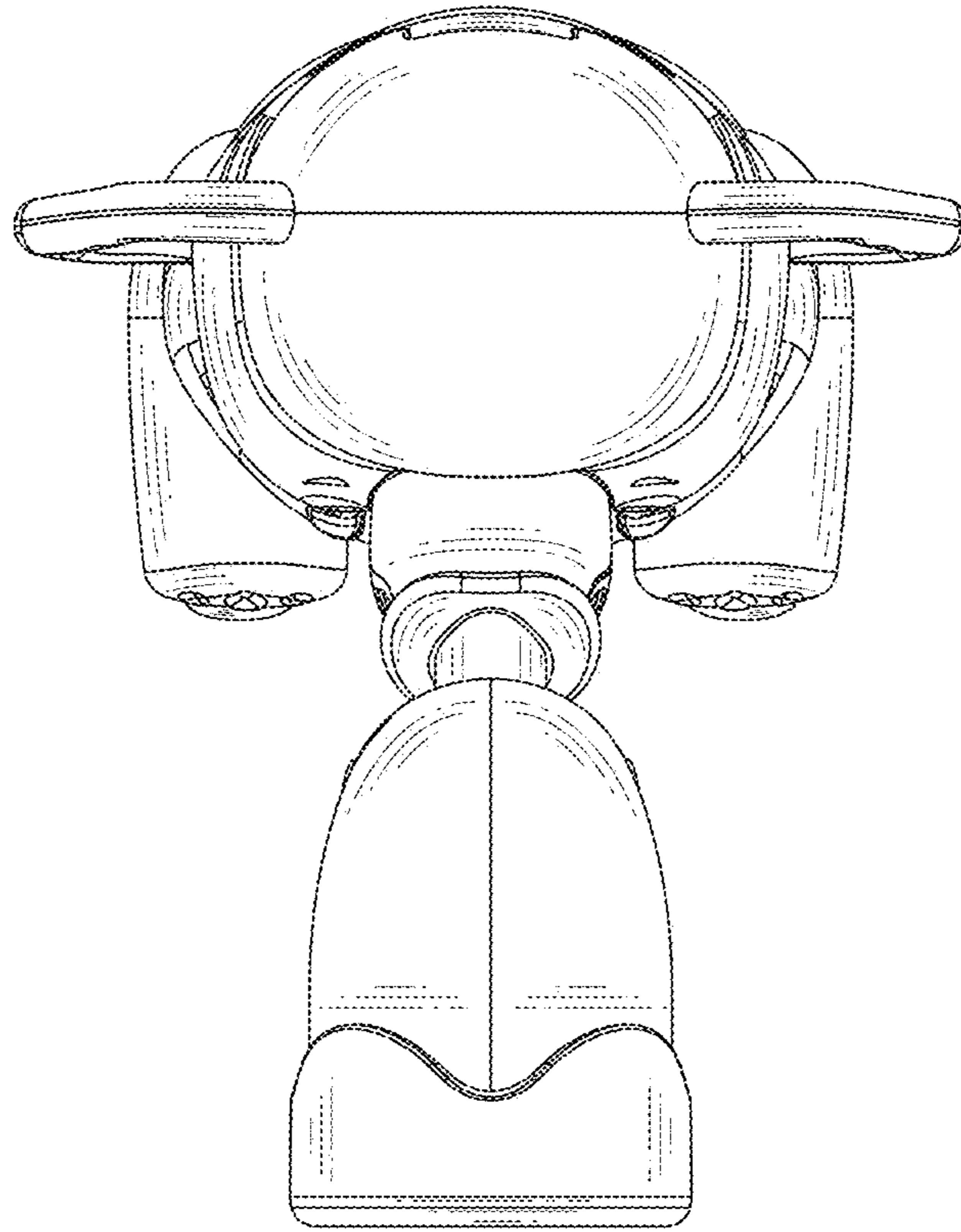


FIG. 6

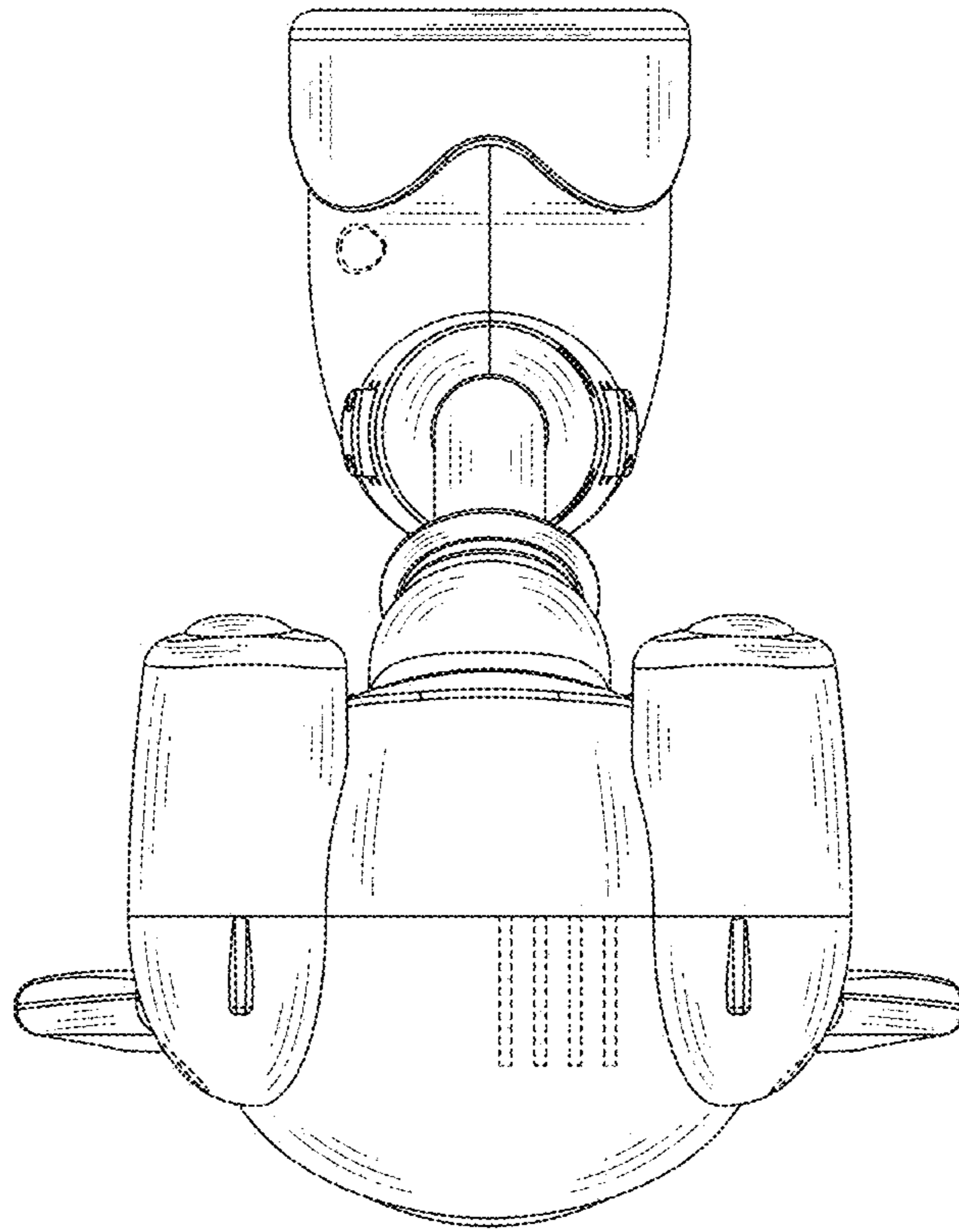


FIG.7