



US00D940820S

(12) **United States Design Patent** (10) **Patent No.:** **US D940,820 S**  
**Xu** (45) **Date of Patent:** **\*\* Jan. 11, 2022**

(54) **SUNFLOWER SPRAYER**  
(71) Applicant: **Zhu Xu**, Guangdong (CN)  
(72) Inventor: **Zhu Xu**, Guangdong (CN)  
(\*\*) Term: **15 Years**  
(21) Appl. No.: **29/758,234**  
(22) Filed: **Nov. 13, 2020**  
(51) **LOC (13) Cl.** ..... **23-01**  
(52) **U.S. Cl.**  
USPC ..... **D23/215**  
(58) **Field of Classification Search**  
USPC ..... D23/213, 214, 215, 222, 223, 224, 226,  
D23/229, 230  
CPC ..... A61H 9/0021; A61H 33/00; B05B 1/00;  
B05B 1/14; B05B 1/185; B05B 1/08;  
B05B 1/02; B05B 1/26; B05B 12/002;  
B05B 1/18; B05B 9/01  
See application file for complete search history.

Sunflower Shower Head, Oct. 29, 2018, Amazon.com, Aug. 10, 2021.URL: <https://www.amazon.com/Showerhead-Sunflower-shower-pressure-Novelty/dp/B07K13MZCJ> (Year: 2018).\*  
KinderUP Baby Bath Shower Toy, Jun. 1, 2020, Amazon.com, Aug. 10, 2021,URL: <https://www.amazon.com/Toddlers-Infants-Baby-Bath-Shower-Bathtub-Toy/dp/B07X74Q7H9> (Year: 2020).\*  
Flo 99351 Margarita Loca Garden Sprinkler, Aug. 22, 2013, amazon.co.uk, Oct. 22, 2021.URL: <https://www.amazon.co.uk/Flo-99351-Margarita-Loca-Garden-Sprinkler/dp/B005JPEKRU> (Year: 2013).\*

\* cited by examiner

*Primary Examiner* — Jack Reickel  
*Assistant Examiner* — Keith J Wilson

(57) **CLAIM**

The ornamental design for a sunflower sprayer, as shown and described.

(56) **References Cited**

**DESCRIPTION**

U.S. PATENT DOCUMENTS

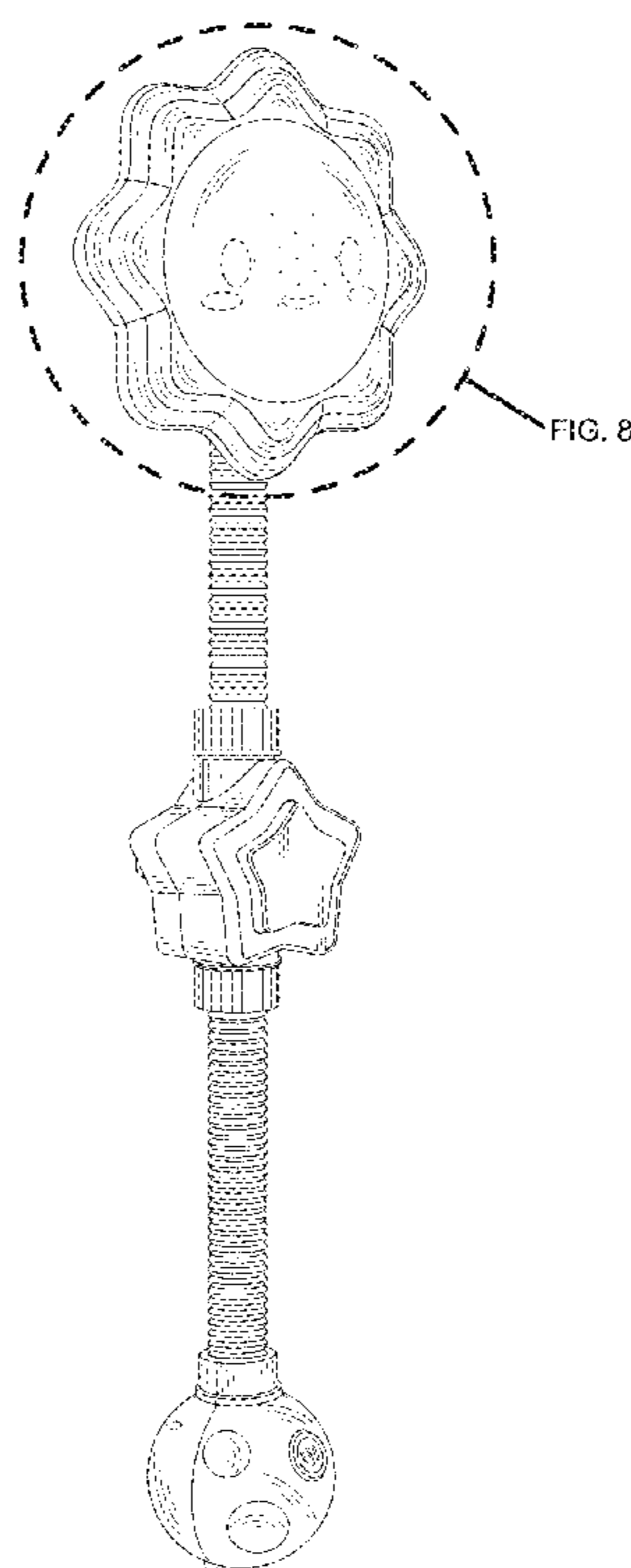
D317,332 S *	6/1991	Williams	.....	D21/483
D329,488 S *	9/1992	Santagada	.....	D23/213
D414,245 S *	9/1999	Watson	.....	D23/215
D610,227 S *	2/2010	Hunter	.....	D23/222
D732,645 S *	6/2015	Beall	.....	D23/267
D737,414 S *	8/2015	Beall	.....	D23/267
D810,233 S *	2/2018	Winter	.....	D23/213
D857,114 S *	8/2019	Fontaine	.....	D21/496
D923,109 S *	6/2021	Fang	.....	D21/473

OTHER PUBLICATIONS

Grohe Shower Flower, Oct. 6, 2014 <https://www.thewackyduo.com/2014/10/grohe-rainshower-flower-series-flower.html> (Year: 2014).\*

FIG. 1 is a perspective view of a sunflower sprayer showing my new design;  
FIG. 2 is a front elevational view thereof;  
FIG. 3 is a rear elevational view thereof;  
FIG. 4 is a left side elevational view thereof;  
FIG. 5 is a right side elevational view thereof;  
FIG. 6 is a top plan view thereof;  
FIG. 7 is a bottom plan view thereof; and,  
FIG. 8 is another enlarged perspective view thereof.  
The broken lines throughout the drawing figures depict portions of the sunflower sprayer that form no part of the claimed design.

**1 Claim, 8 Drawing Sheets**



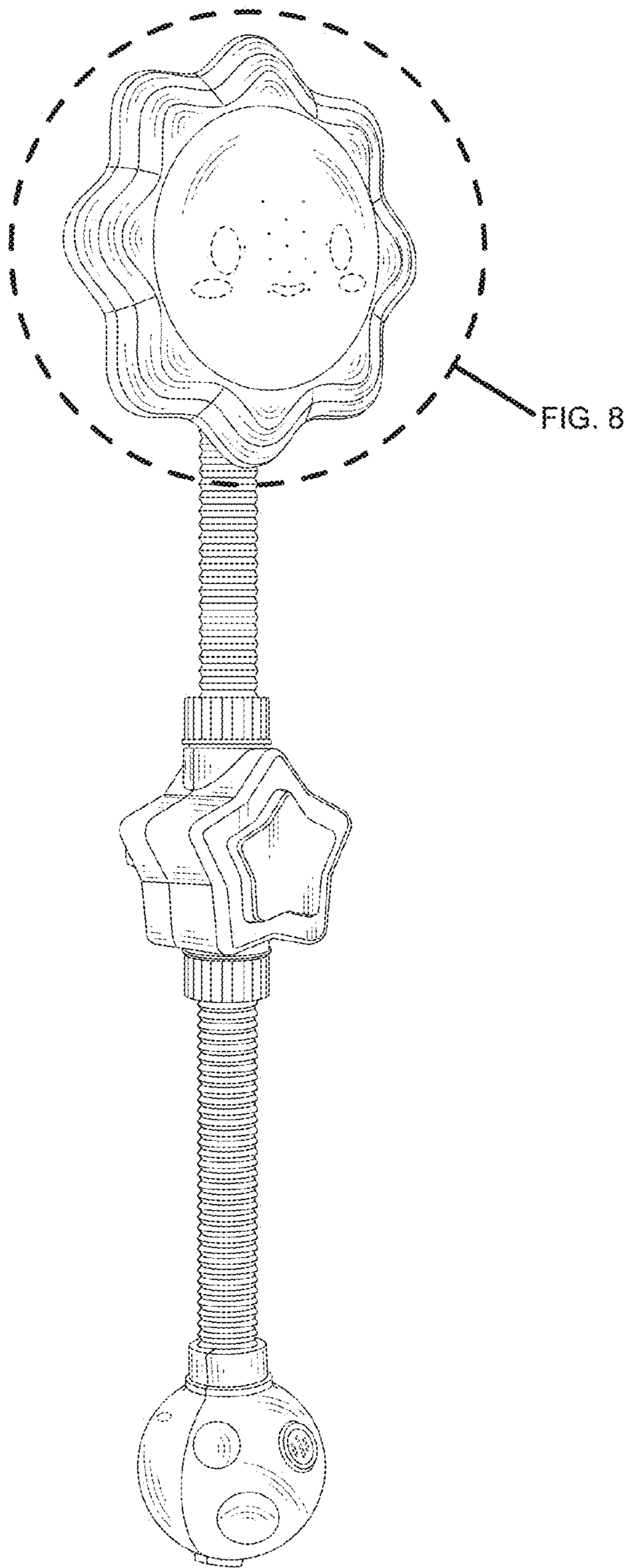


FIG. 8

FIG. 1

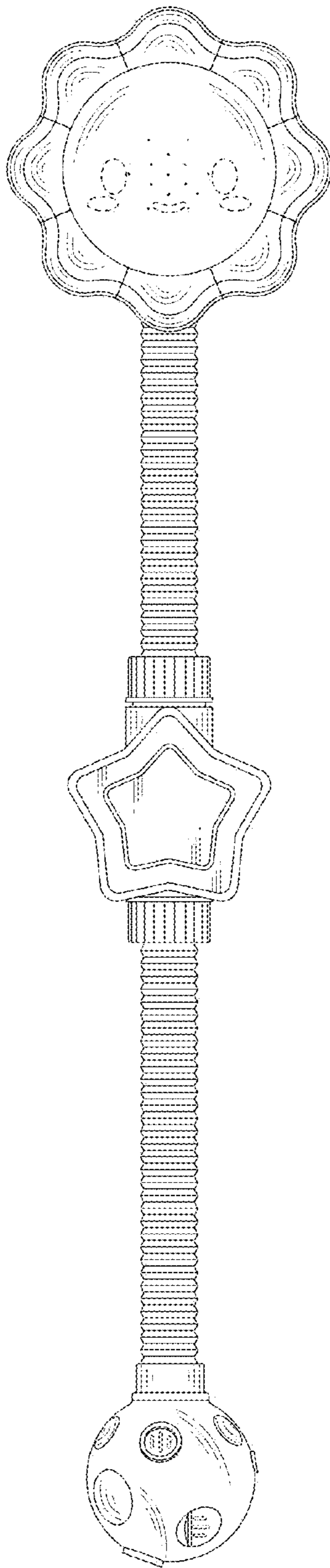


FIG.2

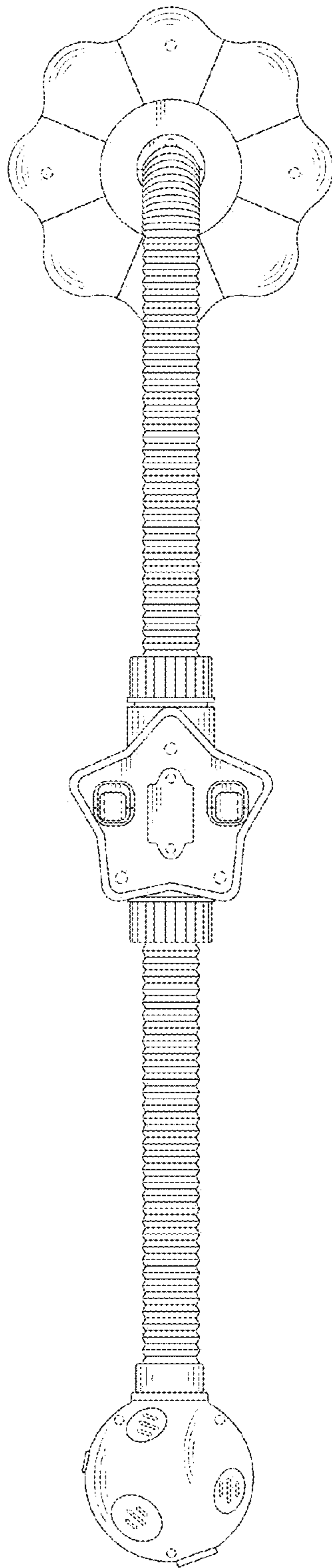


FIG.3

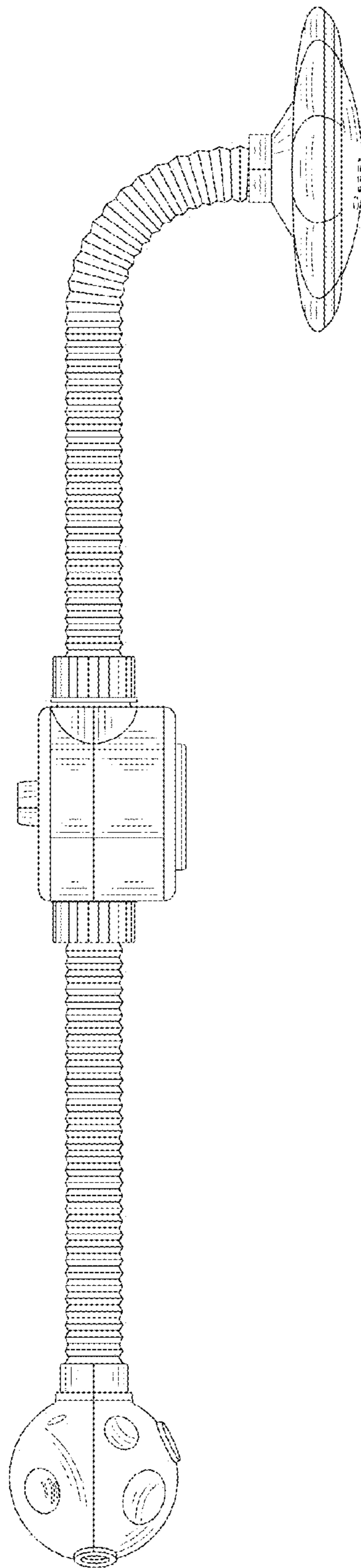


FIG.4

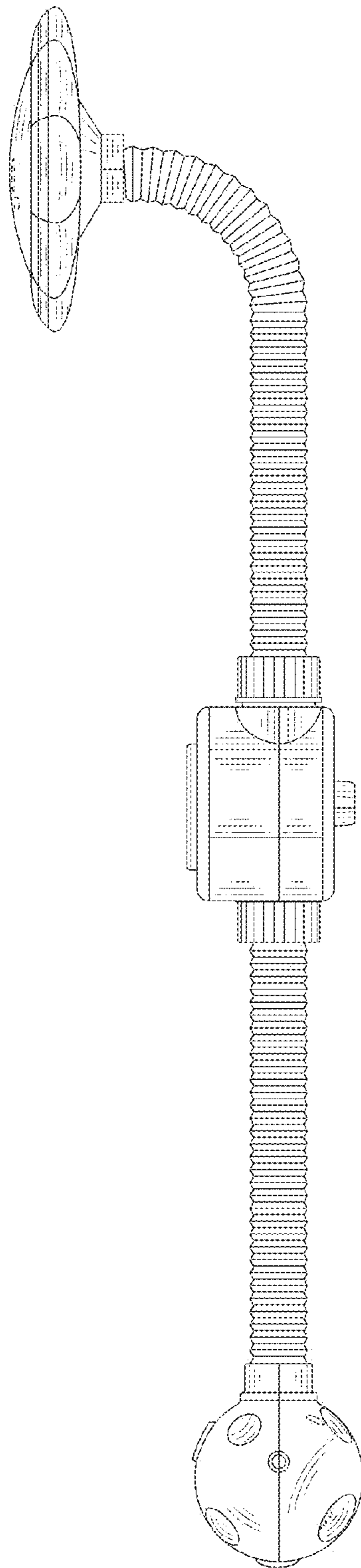


FIG.5

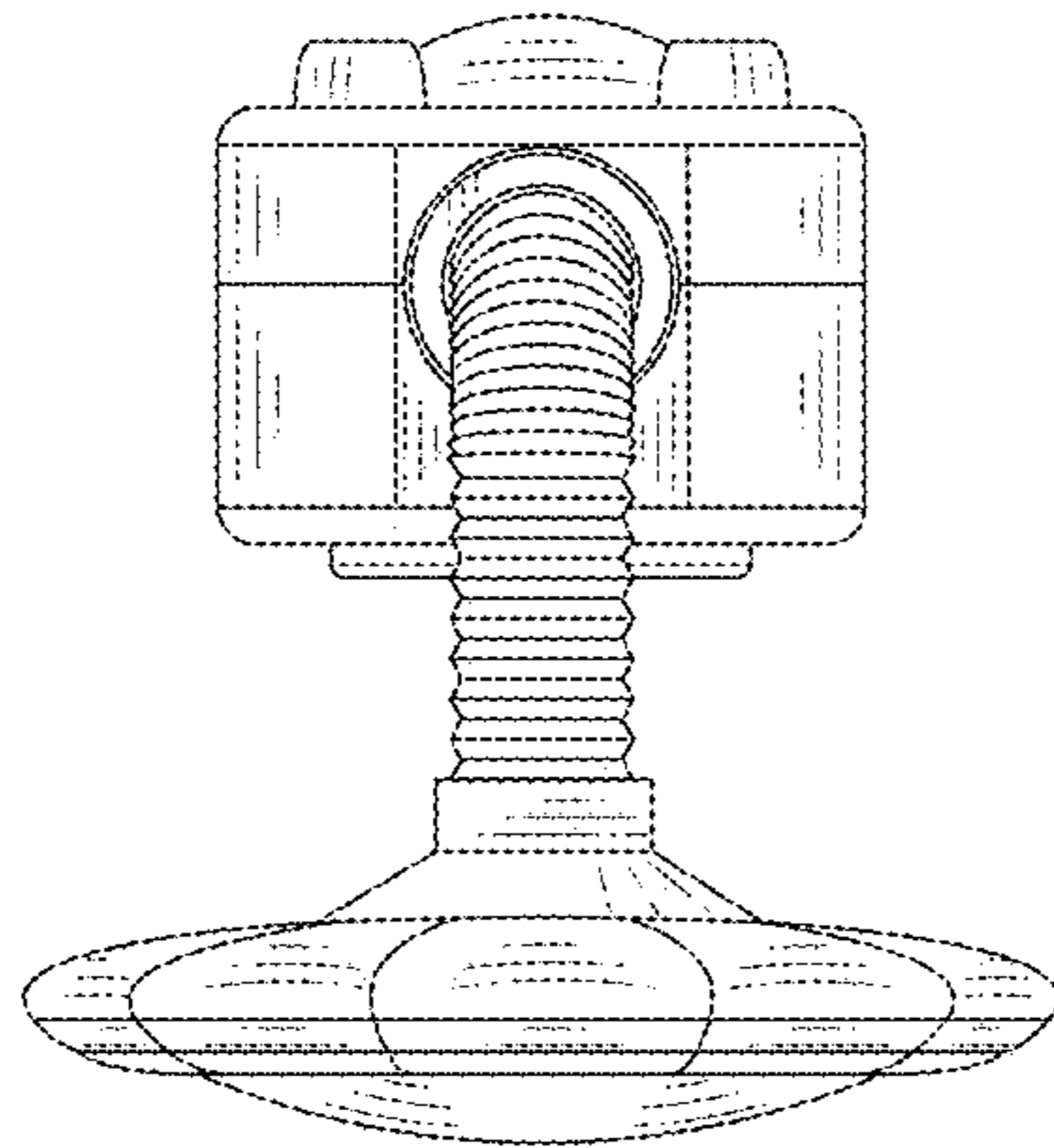


FIG.6

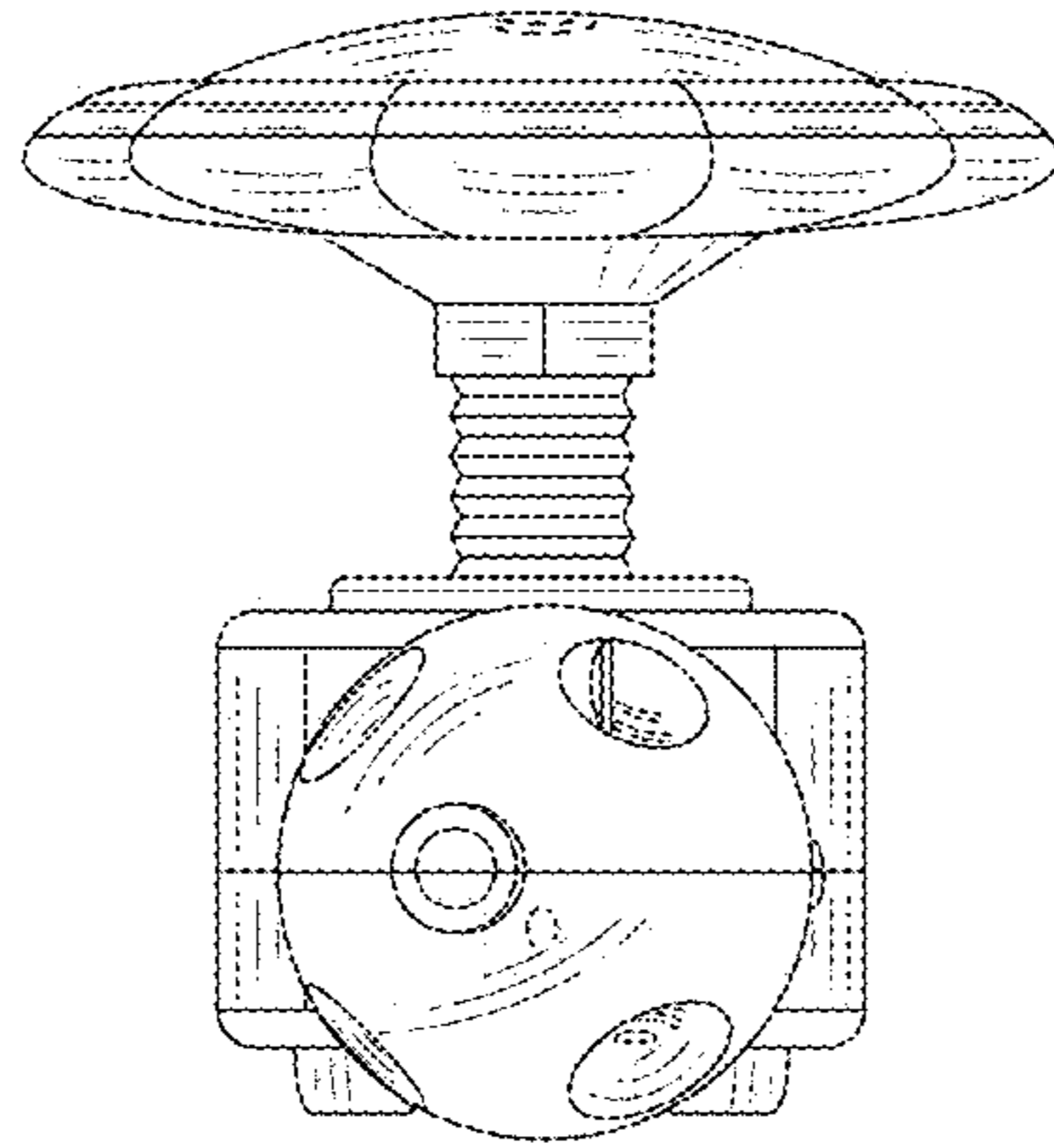


FIG. 7



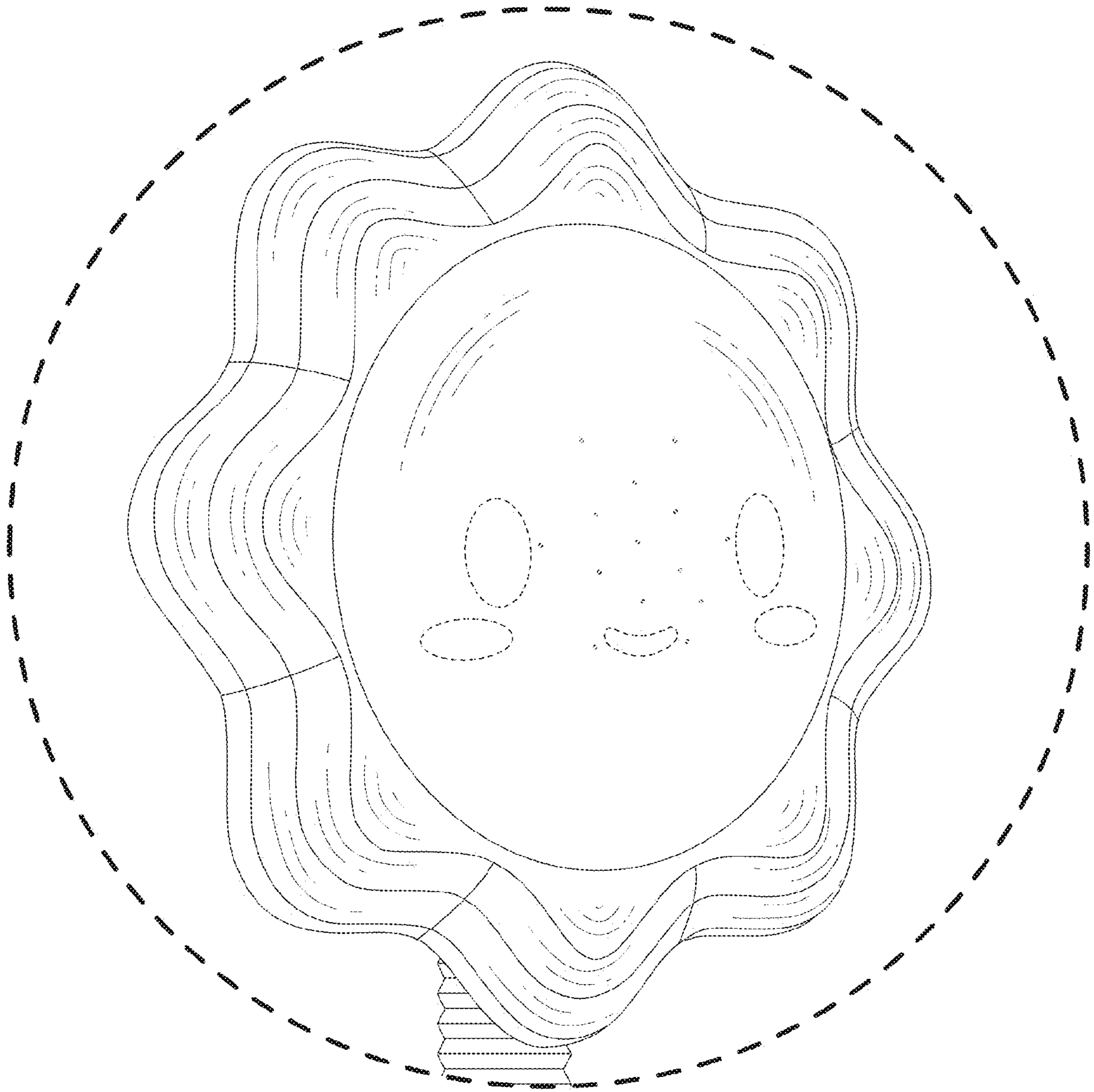


FIG.8