

US00D940816S

(12) **United States Design Patent**
Gao

(10) **Patent No.:** **US D940,816 S**

(45) **Date of Patent:** **** Jan. 11, 2022**

(54) **MOSQUITO-REPELLENT LAMP**

(71) Applicant: **Jingbo Gao**, Zhejiang (CN)

(72) Inventor: **Jingbo Gao**, Zhejiang (CN)

(**) Term: **15 Years**

(21) Appl. No.: **29/739,247**

(22) Filed: **Jun. 24, 2020**

(51) **LOC (13) Cl.** **22-06**

(52) **U.S. Cl.**
USPC **D22/122**

(58) **Field of Classification Search**
USPC D22/122–123; D26/37–38, 41
CPC A01M 1/04; A01M 1/08; A01M 1/023;
A01M 1/026; A01M 1/223; A01M
2200/012; F21L 2003/00; C25B 1/00;
C25B 9/06; C25B 11/12

See application file for complete search history.

(56) **References Cited**

U.S. PATENT DOCUMENTS

3,177,609	A *	4/1965	De Marco	A01M 1/04 43/112
3,473,251	A *	10/1969	Kahn	A01M 1/04 43/112
D426,613	S *	6/2000	Curtis	D22/123
D558,852	S *	1/2008	Chen	D22/123
D596,694	S *	7/2009	Chen	D22/123
D602,116	S *	10/2009	Chen	D22/123
D917,009	S *	4/2021	Wu	D22/123
D919,039	S *	5/2021	Luo	D22/123

OTHER PUBLICATIONS

White Kaiman Solar Powered Mosquito Killer Lamp for Outdoors—
Stainless Steel Portable 1.2W Lamp <https://www.amazon.com/White->

Kaiman-Powered-Mosquito-Outdoors/dp/B08B1TXT1B/ref=sr_1_1_sspa?crd=U595MMIYWWMFX&dchild=1&keywords=white+kaiman+solar+powered+mosquito+killer+lamp&qid=1629943711&srefix=white+kaiman+solar+po%2Caps%2C143&sr=8-1-spons&psc=1&spLa=ZW5jcnlwdGVkUXVhbGlmaWVyPUEyQzVzVVV0xaNIYwWDhKJmVuY3J5cHRIZEIkPUEwNDE5Nzg1MU5JRFAxSkJSVIFaTSZlbnNyeXB0ZWRBZEIkPUEwMTgyNjg4MVJTNDIGSUdSTzJTNSZ3aWRnZXROYW1IPXNwX2F0ZiZhY3Rpb249Y2xpY2tSZWRpcmVjdCZkb05vdExvZ0NsaWNrPXRydWU= (Year: 2020).*

* cited by examiner

Primary Examiner — Catherine R Oliver-Garcia

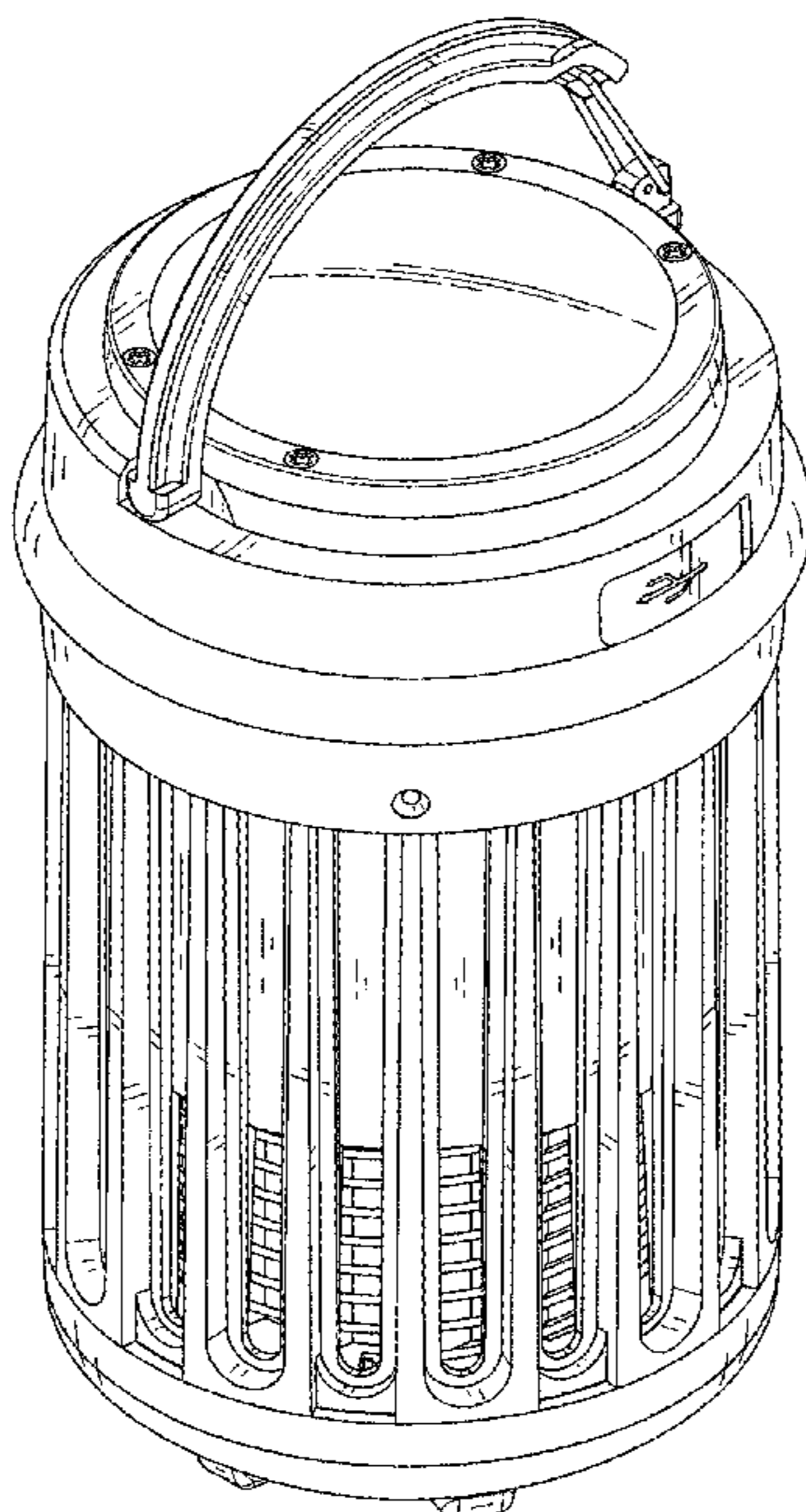
(57) **CLAIM**

The ornamental design for a mosquito-repellent lamp, as shown and described.

DESCRIPTION

FIG. 1 is a top perspective view of a mosquito-repellent lamp showing my new design;
FIG. 2 is front elevational view of thereof;
FIG. 3 is a rear elevational view thereof;
FIG. 4 is a left side elevational view thereof;
FIG. 5 is a right side elevational view thereof;
FIG. 6 is a top plan view thereof;
FIG. 7 is a bottom plan view thereof;
FIG. 8 is a bottom perspective view thereof;
FIG. 9 is a top perspective view thereof in an alternate position of use; and,
FIG. 10 a perspective view thereof in an alternate position of use.
The broken lines depict portions of the mosquito-repellent lamp in which the design is embodied that form no part of the claimed design.

1 Claim, 10 Drawing Sheets



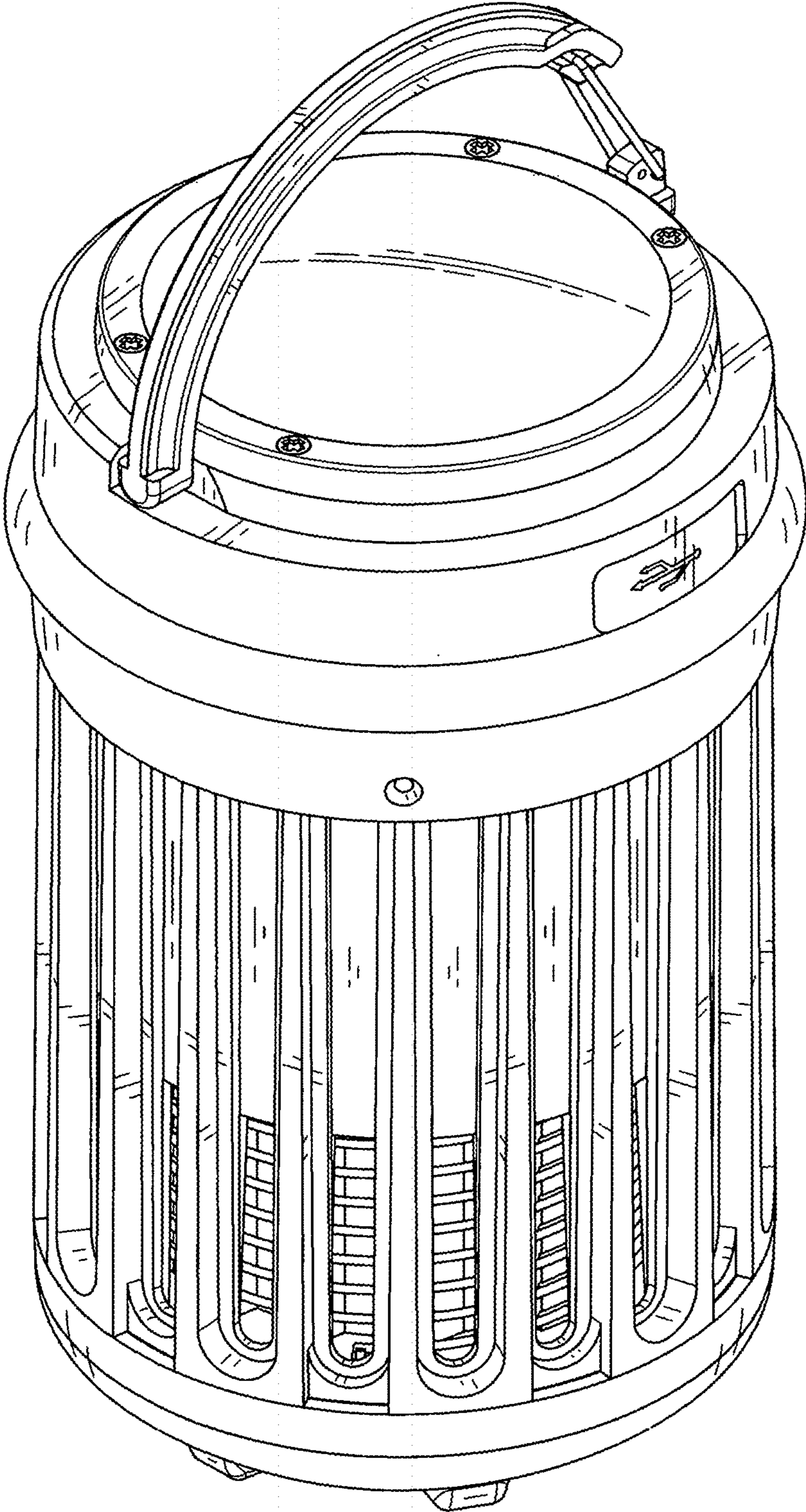


FIG. 1

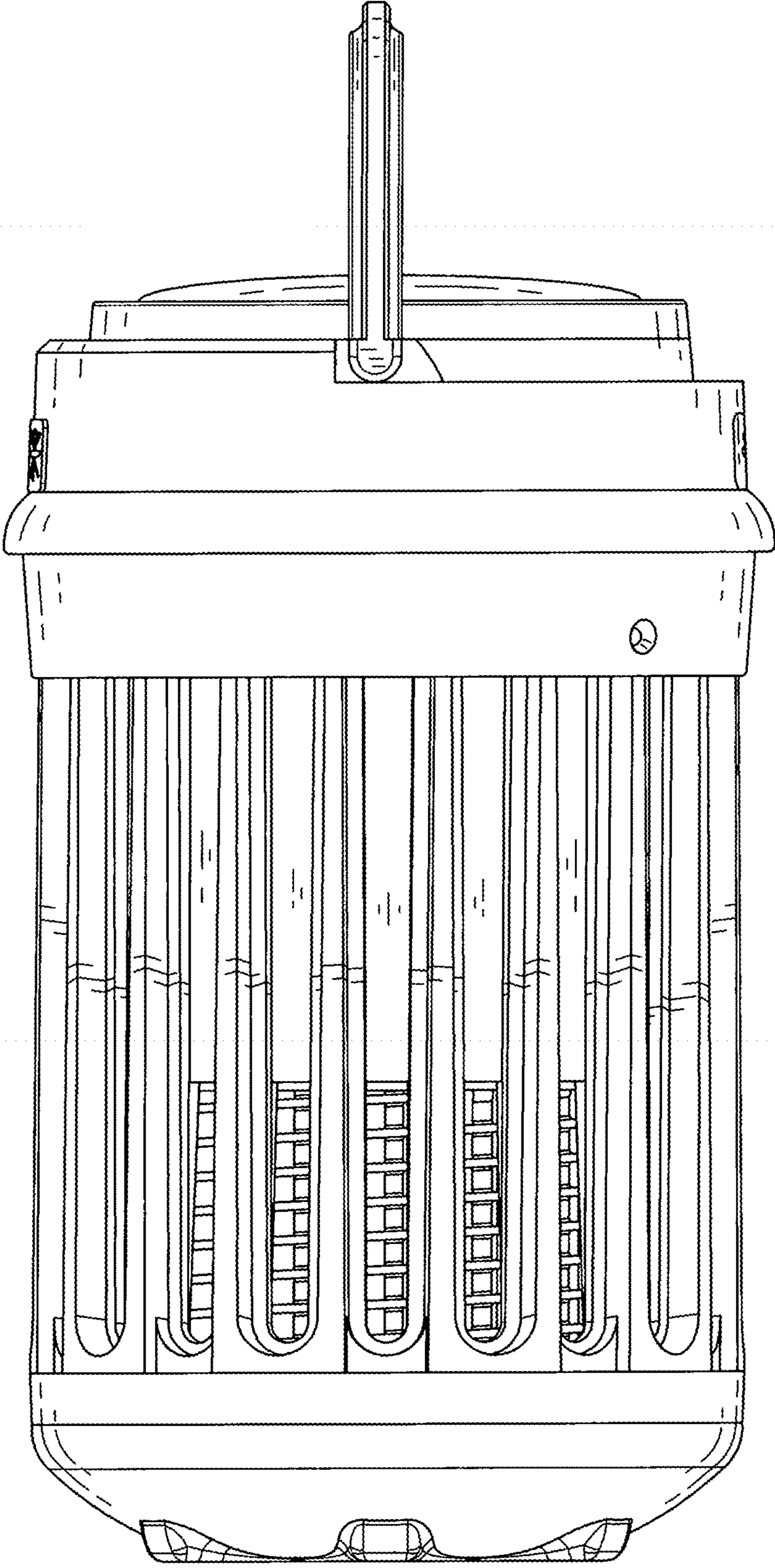


FIG. 2

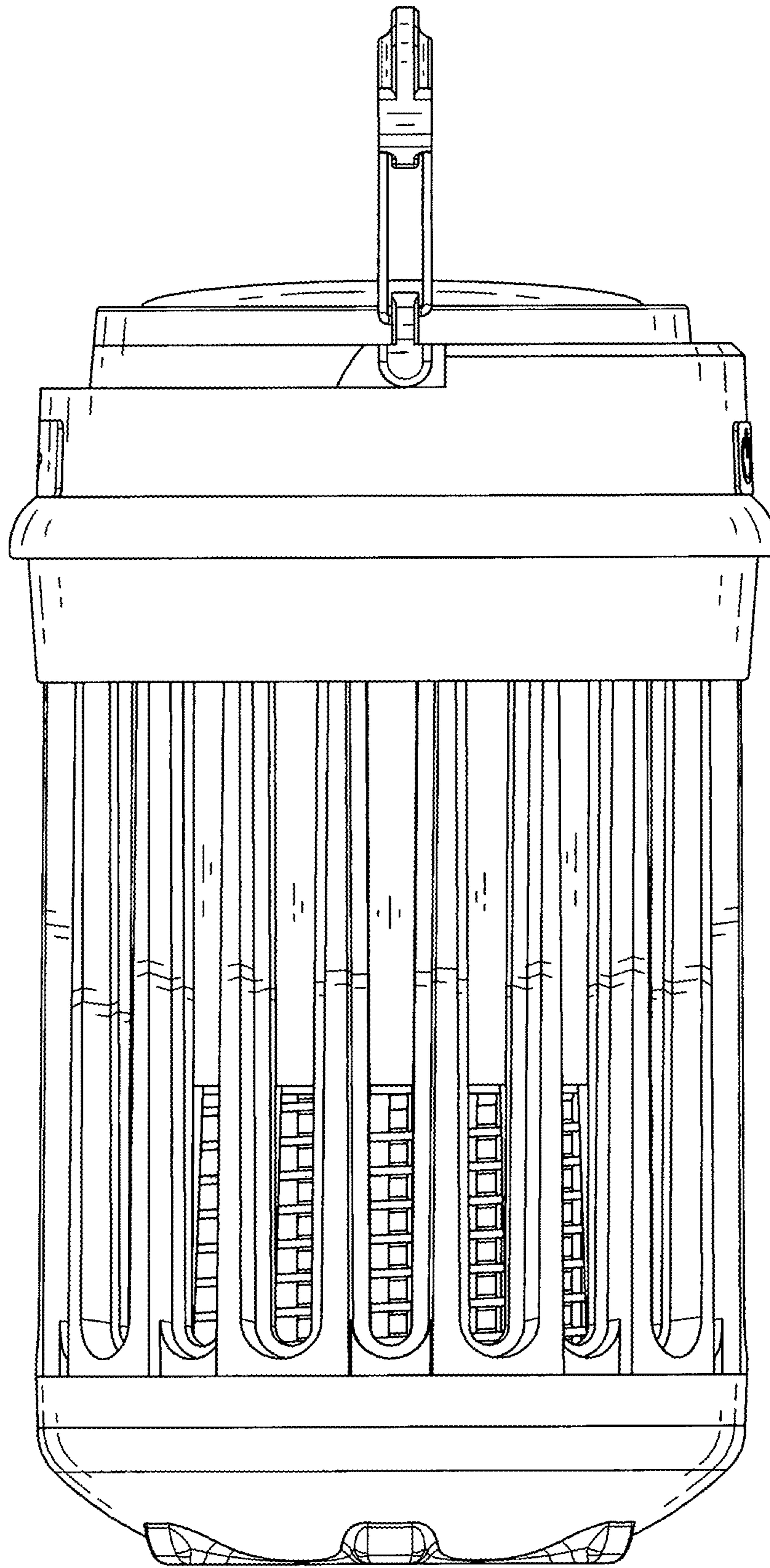


FIG. 3

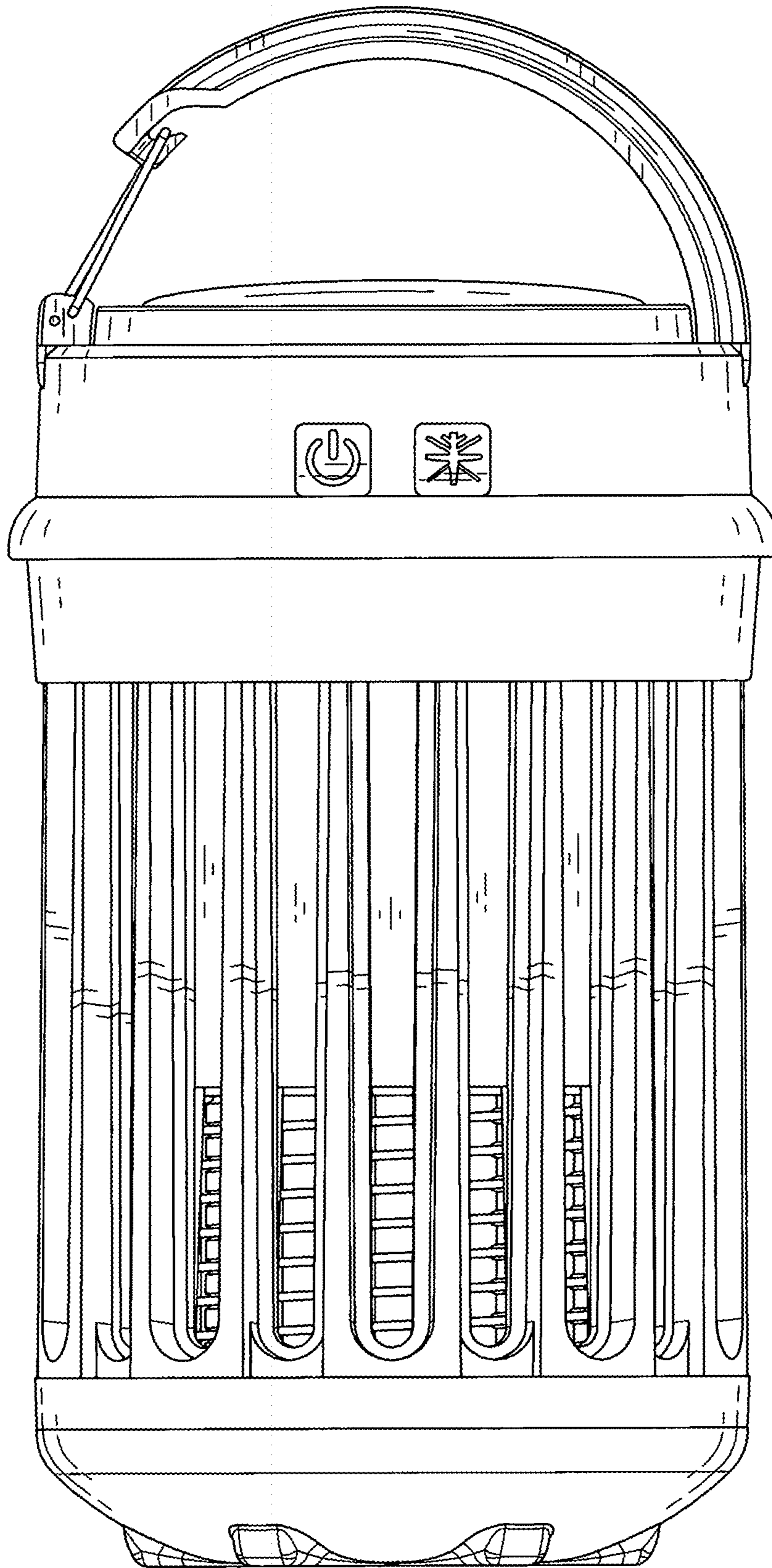


FIG. 4

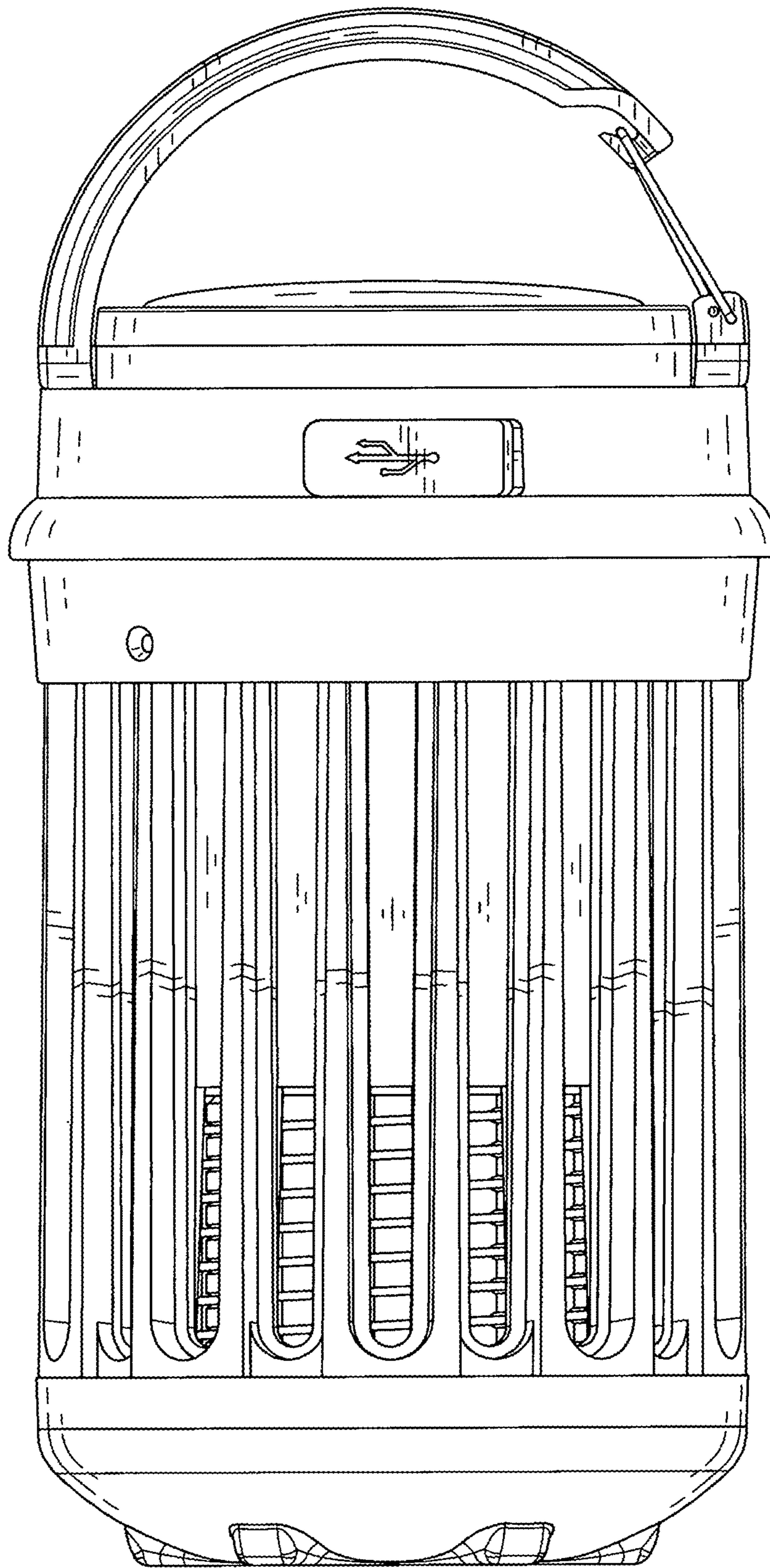


FIG. 5

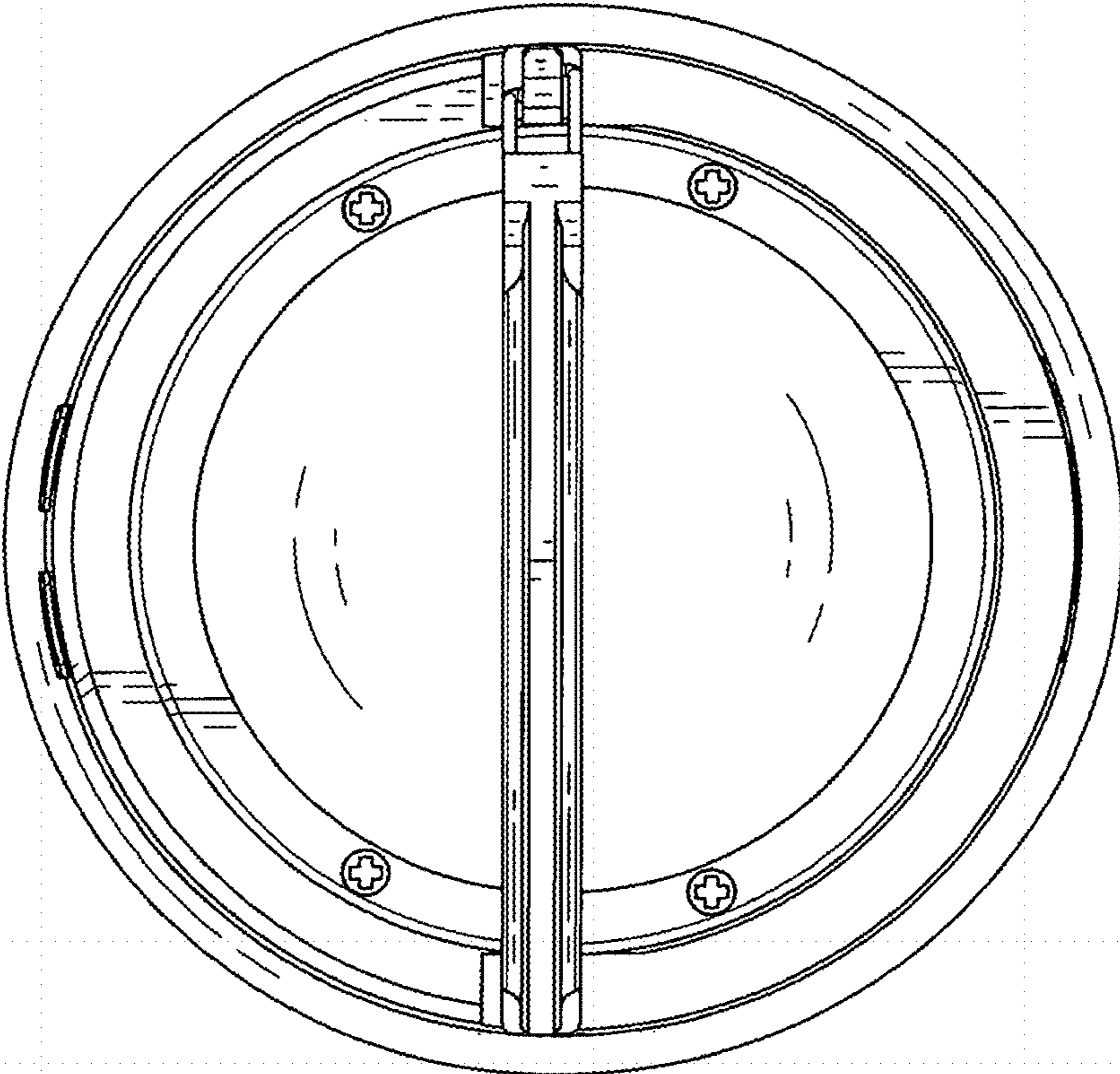


FIG. 6

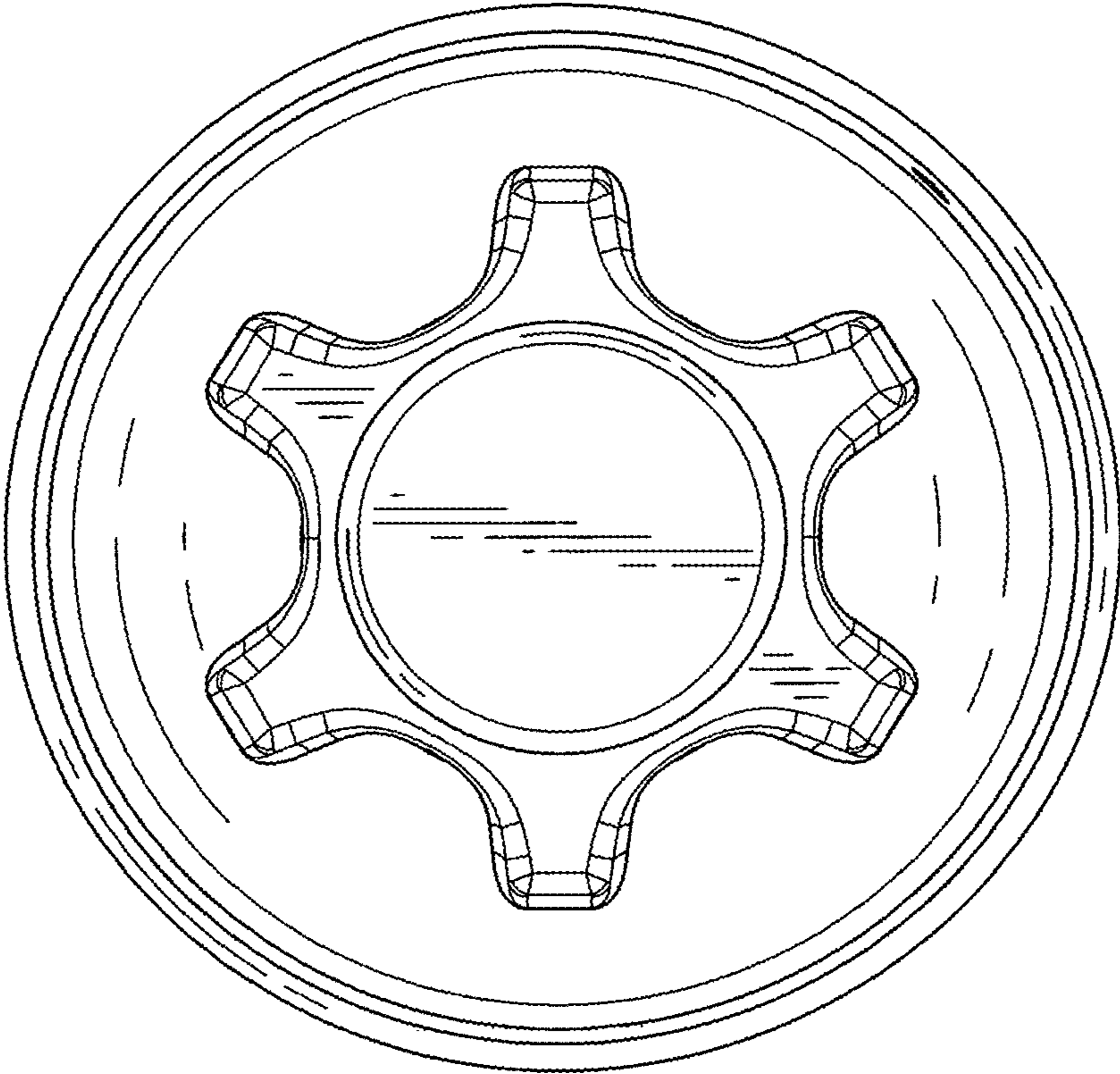


FIG. 7

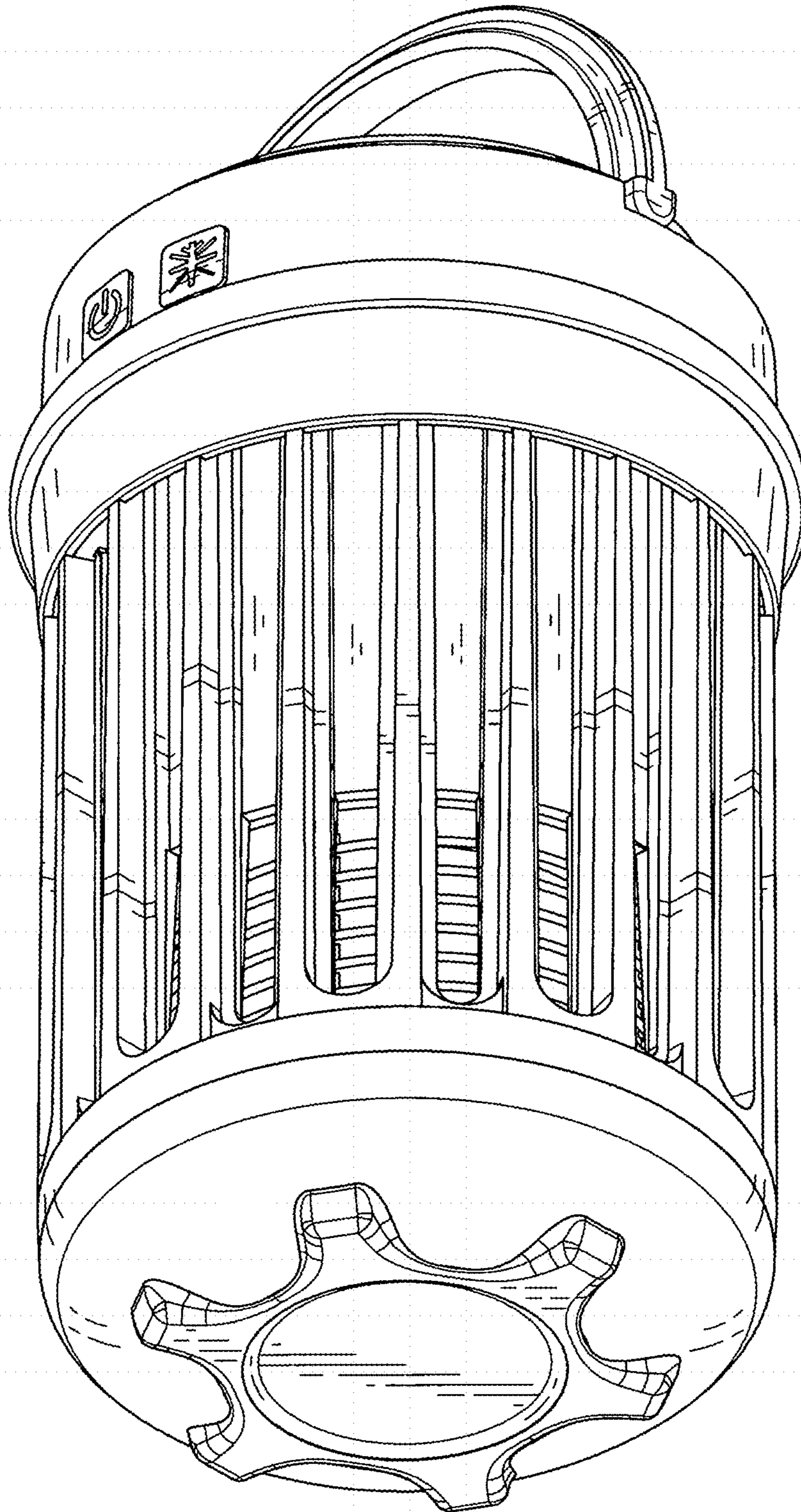


FIG. 8

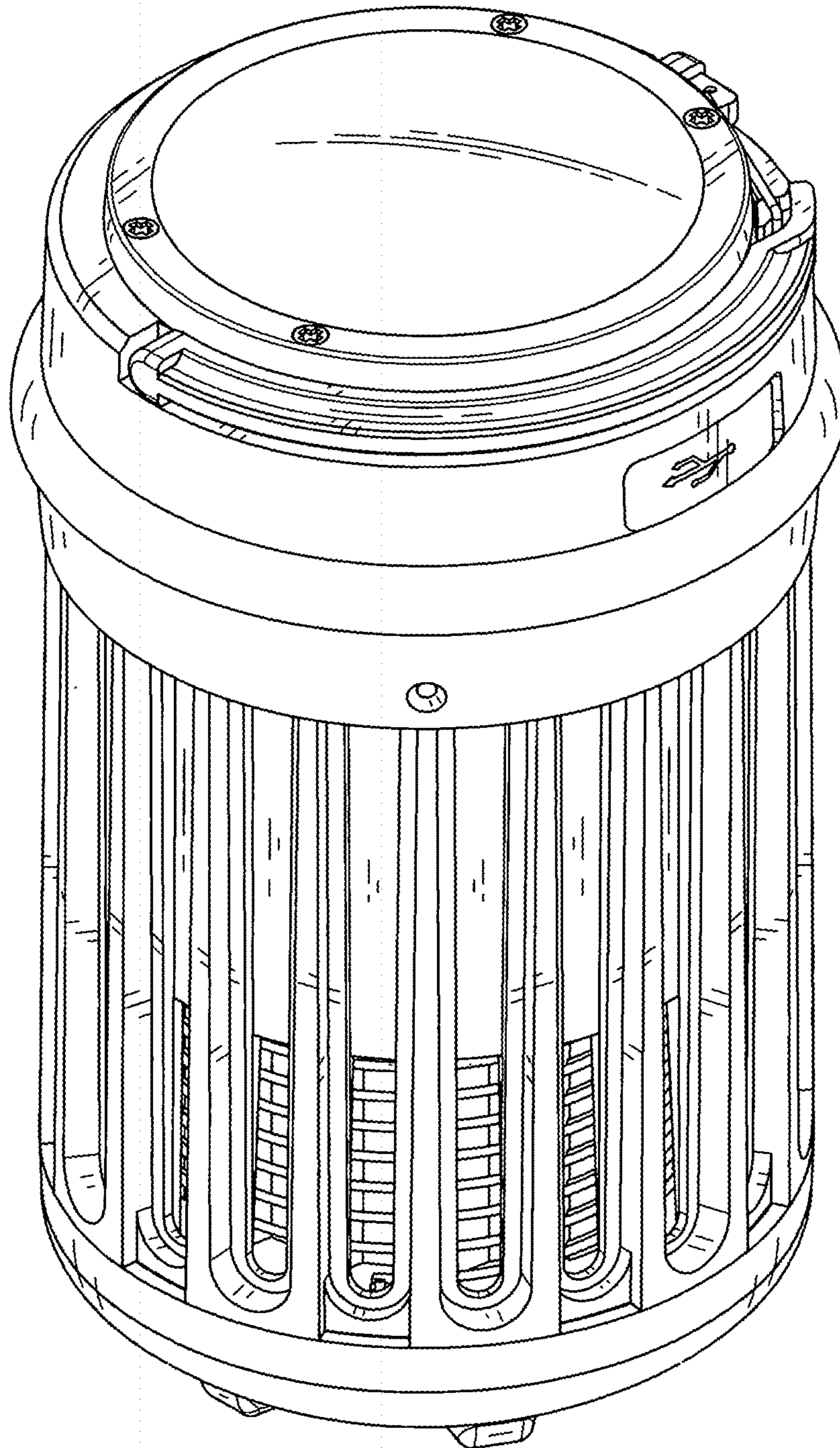


FIG. 9

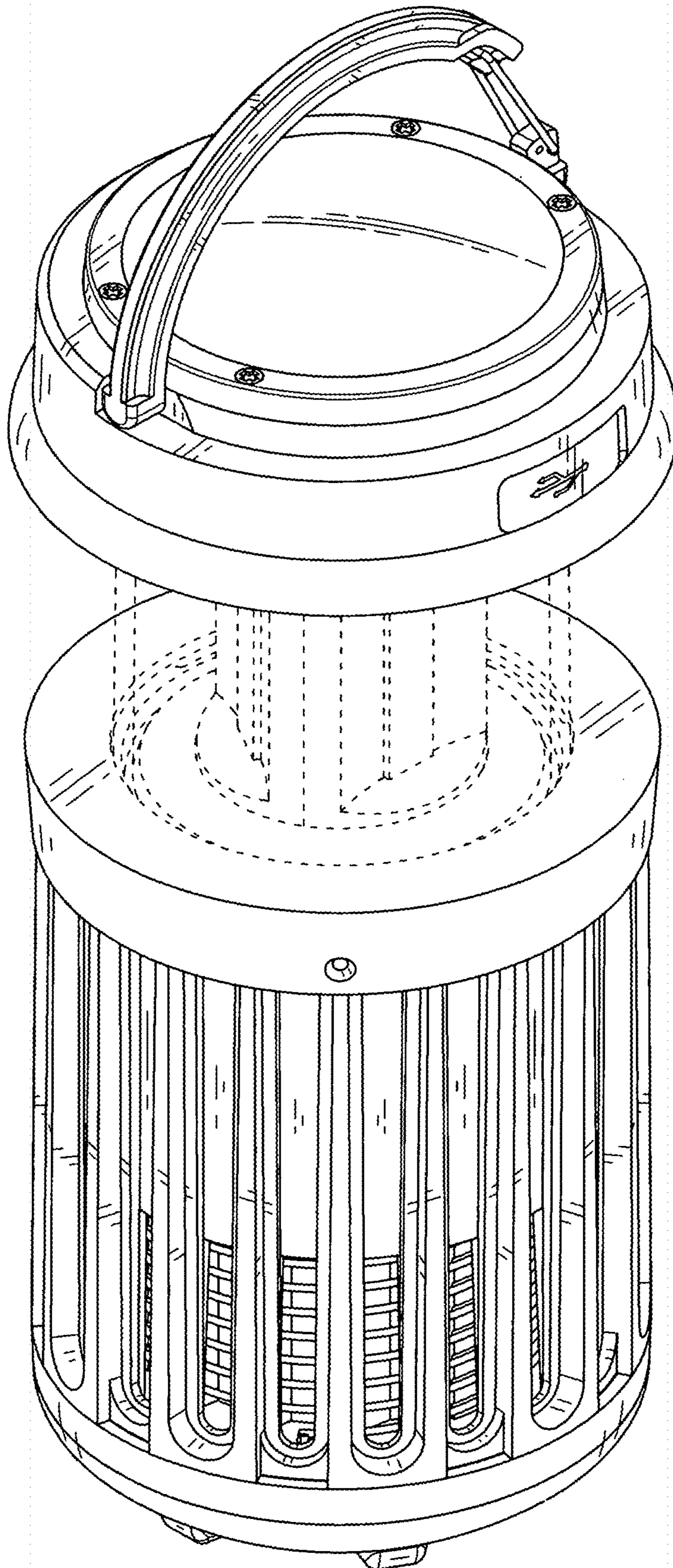


FIG. 10