

US00D940815S

(12) **United States Design Patent** (10) **Patent No.:** **US D940,815 S**  
**Lieberwirth et al.** (45) **Date of Patent:** **\*\* Jan. 11, 2022**

- (54) **INSECT TRAP CARTRIDGE**
- (71) Applicant: **The Procter & Gamble Company**, Cincinnati, OH (US)
- (72) Inventors: **Lars Lieberwirth**, Shanghai (CN); **Andrew F Sandford**, Marlborough, MA (US)
- (73) Assignee: **The Procter & Gamble Company**, Cincinnati, OH (US)
- (\*\*) Term: **15 Years**
- (21) Appl. No.: **29/685,834**
- (22) Filed: **Apr. 1, 2019**

4,212,129 A	7/1980	Shumate
D282,390 S	1/1986	Ford et al.
4,709,502 A	12/1987	Bierman
4,709,503 A	12/1987	McQueen
4,815,231 A	3/1989	McQueen
D323,014 S	1/1992	Demarest et al.
D326,702 S	6/1992	Demarest
D357,725 S	4/1995	Biasetti
5,477,636 A	12/1995	Musket
5,556,192 A	9/1996	Wang
5,572,825 A	11/1996	Gehret
5,588,250 A	12/1996	Chiba et al.
D415,242 S	10/1999	Ohmura
D418,575 S	1/2000	Ohmura
6,108,965 A	8/2000	Burrows et al.
D457,591 S	5/2002	Christianson et al.

(Continued)

**Related U.S. Application Data**

- (60) Division of application No. 29/590,624, filed on Jan. 12, 2017, now Pat. No. Des. 849,878, which is a division of application No. 29/565,304, filed on May 19, 2016, now Pat. No. Des. 780,285, which is a continuation of application No. 29/502,777, filed on Sep. 19, 2014, now abandoned, which is a continuation of application No. 29/476,092, filed on Dec. 11, 2013, now abandoned, which is a continuation of application No. 29/449,768, filed on Mar. 15, 2013, now abandoned.
- (51) **LOC (13) Cl.** ..... **22-06**
- (52) **U.S. Cl.**  
USPC ..... **D22/122**
- (58) **Field of Classification Search**  
USPC ..... D22/122; 43/107, 111-113, 121, 124, 43/131, 132.1; D23/366-369  
CPC ..... A01M 1/02; A01M 1/04; A01M 1/106; A01M 1/145; A01M 25/002  
See application file for complete search history.

(56) **References Cited**

**U.S. PATENT DOCUMENTS**

2,307,163 A	1/1943	Shea
3,729,858 A	5/1973	Bradshaw

**OTHER PUBLICATIONS**

All Office Actions, U.S. Appl. No. 29/449,768.  
(Continued)

*Primary Examiner* — Catherine R Oliver-Garcia  
(74) *Attorney, Agent, or Firm* — Melissa Krasovec

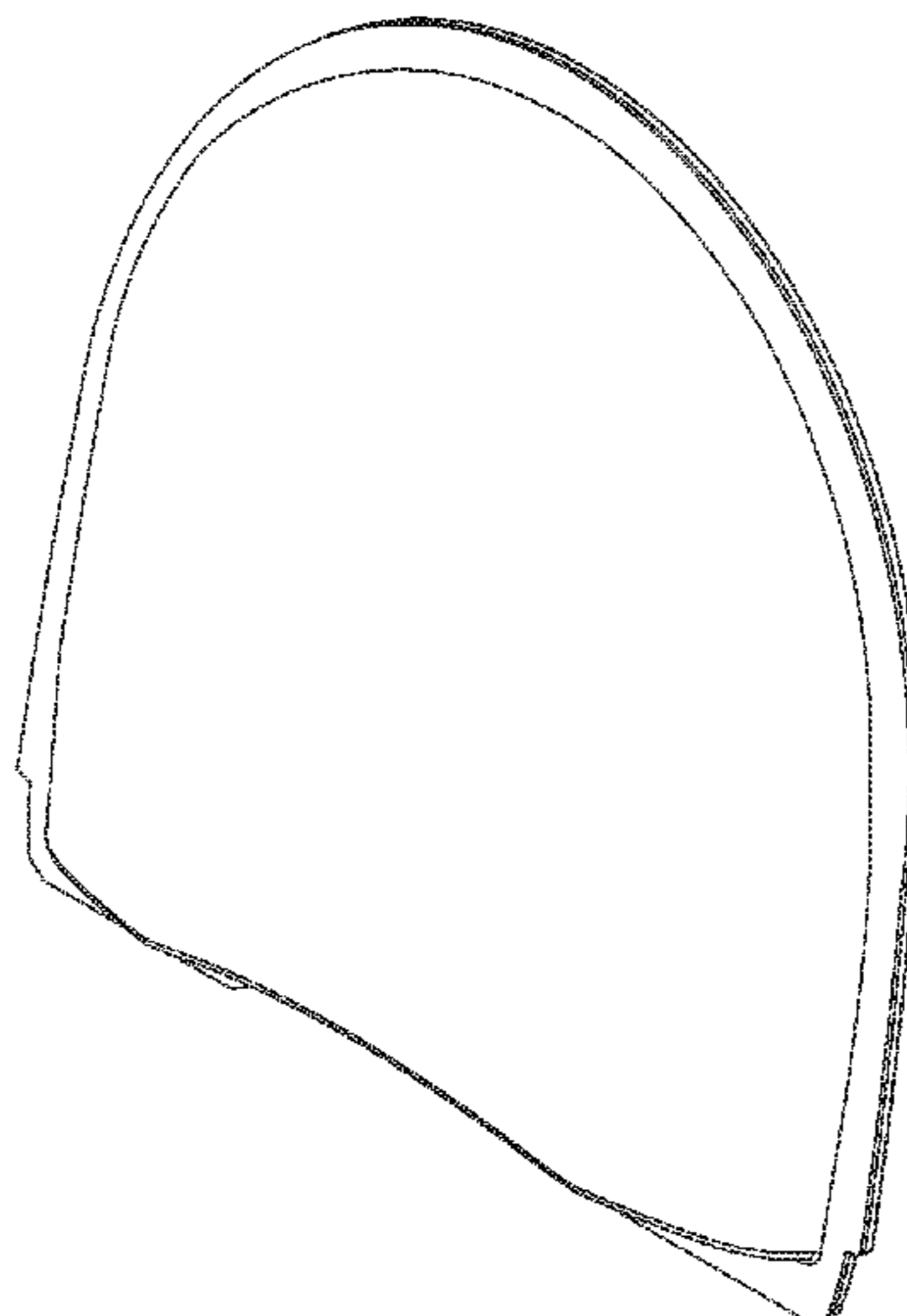
(57) **CLAIM**

The ornamental design for an insect trap cartridge, as shown and described.

**DESCRIPTION**

FIG. 1 is a front perspective view of an ornamental design for an insect trap cartridge;  
FIG. 2 is a rear perspective view thereof;  
FIG. 3 is a rear elevation view thereof;  
FIG. 4 is a front elevation view thereof;  
FIG. 5 is a side elevation view thereof;  
FIG. 6 is an opposite side elevation view thereof;  
FIG. 7 is a top plan view thereof; and,  
FIG. 8 is a bottom plan view thereof.

**1 Claim, 4 Drawing Sheets**



(56)

**References Cited**

U.S. PATENT DOCUMENTS

6,392,549 B1 5/2002 Wu  
 6,393,759 B1 5/2002 Brown  
 6,478,440 B1 11/2002 Jaworski et al.  
 D467,295 S 12/2002 Andrews et al.  
 6,560,919 B2 5/2003 Burrows et al.  
 6,860,061 B2 3/2005 Nosse et al.  
 6,886,292 B2 5/2005 Studer et al.  
 D521,102 S 5/2006 Hoyes  
 D533,930 S 12/2006 Keller, Jr. et al.  
 7,607,255 B2 10/2009 Hu  
 D612,039 S 3/2010 Ko et al.  
 D612,446 S 3/2010 Dalili  
 D614,278 S 4/2010 Schwartz et al.  
 D629,500 S 12/2010 Koenig et al.  
 7,856,752 B1 12/2010 Eilerson  
 8,016,207 B2 9/2011 Kvietok et al.  
 8,099,900 B2 1/2012 Rivera  
 8,109,036 B1 2/2012 Wilbanks  
 8,210,448 B2 7/2012 Kvietok et al.  
 D669,151 S 10/2012 Frisch  
 8,375,625 B2 2/2013 Larsen  
 8,707,614 B2 4/2014 Larsen  
 8,740,110 B2 6/2014 Gruenbacher et al.  
 9,089,121 B2 7/2015 Diclaro et al.  
 D736,341 S 8/2015 Lieberwirth et al.  
 D780,284 S 2/2017 Lieberwirth  
 D834,137 S 11/2018 Smith  
 D845,430 S 4/2019 Smith  
 D871,540 S 12/2019 Chapin et al.

D877,850 S 3/2020 Sanford  
 2009/0100743 A1 4/2009 Prater  
 2010/0263260 A1 10/2010 Engelbrecht et al.  
 2016/0000060 A1 1/2016 Sandford et al.  
 2016/0262367 A1 9/2016 Sandford  
 2017/0035039 A1 2/2017 Sandford  
 2017/0303523 A1 10/2017 Sandford  
 2019/0141978 A1 5/2019 Smith

OTHER PUBLICATIONS

All Office Actions, U.S. Appl. No. 29/449,887.  
 All Office Actions, U.S. Appl. No. 29/476,091.  
 All Office Actions, U.S. Appl. No. 29/476,092.  
 All Office Actions, U.S. Appl. No. 29/476,093.  
 All Office Actions, U.S. Appl. No. 29/502,777.  
 All Office Actions, U.S. Appl. No. 29/503,040.  
 All Office Actions, U.S. Appl. No. 29/565,260.  
 All Office Actions, U.S. Appl. No. 29/565,304.  
 All Office Actions, U.S. Appl. No. 29/590,624.  
 All Office Actions, U.S. Appl. No. 29/590,625.  
 All Office Actions, U.S. Appl. No. 29/595,960.  
 Plug-in Sticky Fly Trap, Olson Products Inc., PO Box 1043, Medina OH 44258, [www.olsonproducts.com](http://www.olsonproducts.com), web page: [http://www.olsonproducts.com/three\\_3.pdf](http://www.olsonproducts.com/three_3.pdf).  
 Enforcer® Over Nite Flea and Insect Trap, website: <http://www.enforcer.com/products/flea-tick/over-nite-flea-insect-trap/>.  
 On-line article in the Atlanta Journal Constitution, Jul. 9, 1993 by Leigh Ann Miller describing a new product, the Enforcer® Over Nite Flea and Insect Trap, 1 page.

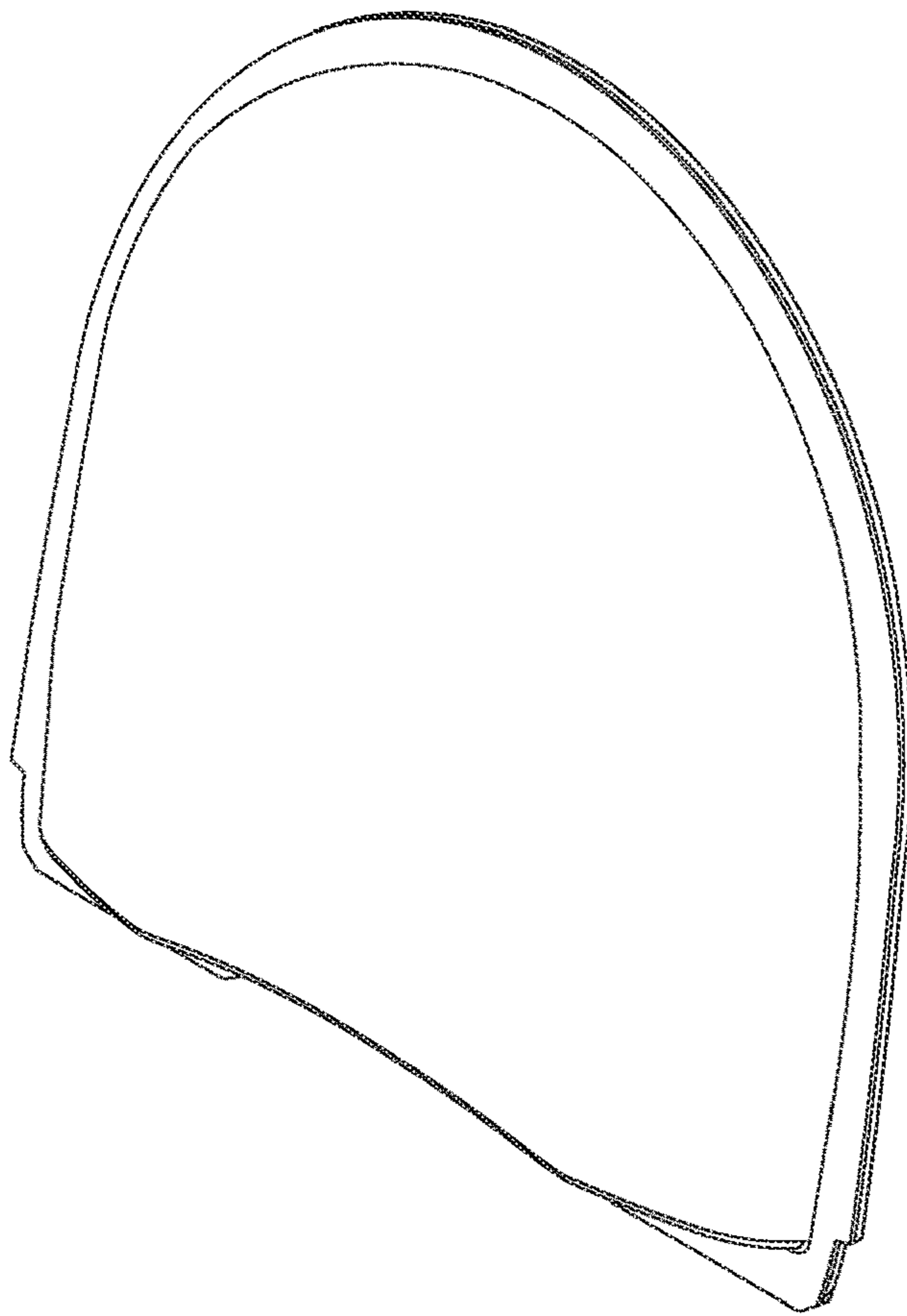


FIG. 1

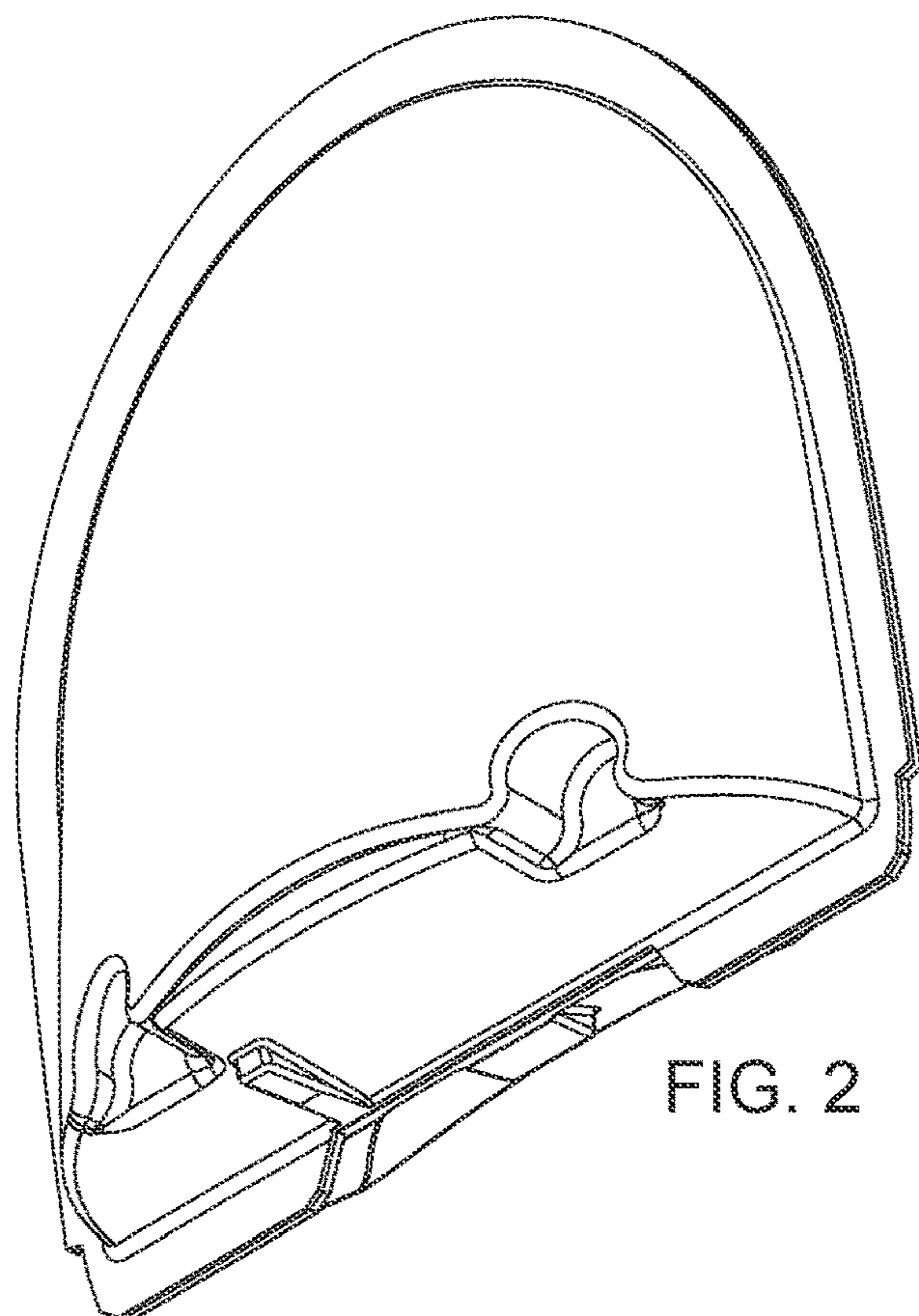


FIG. 2

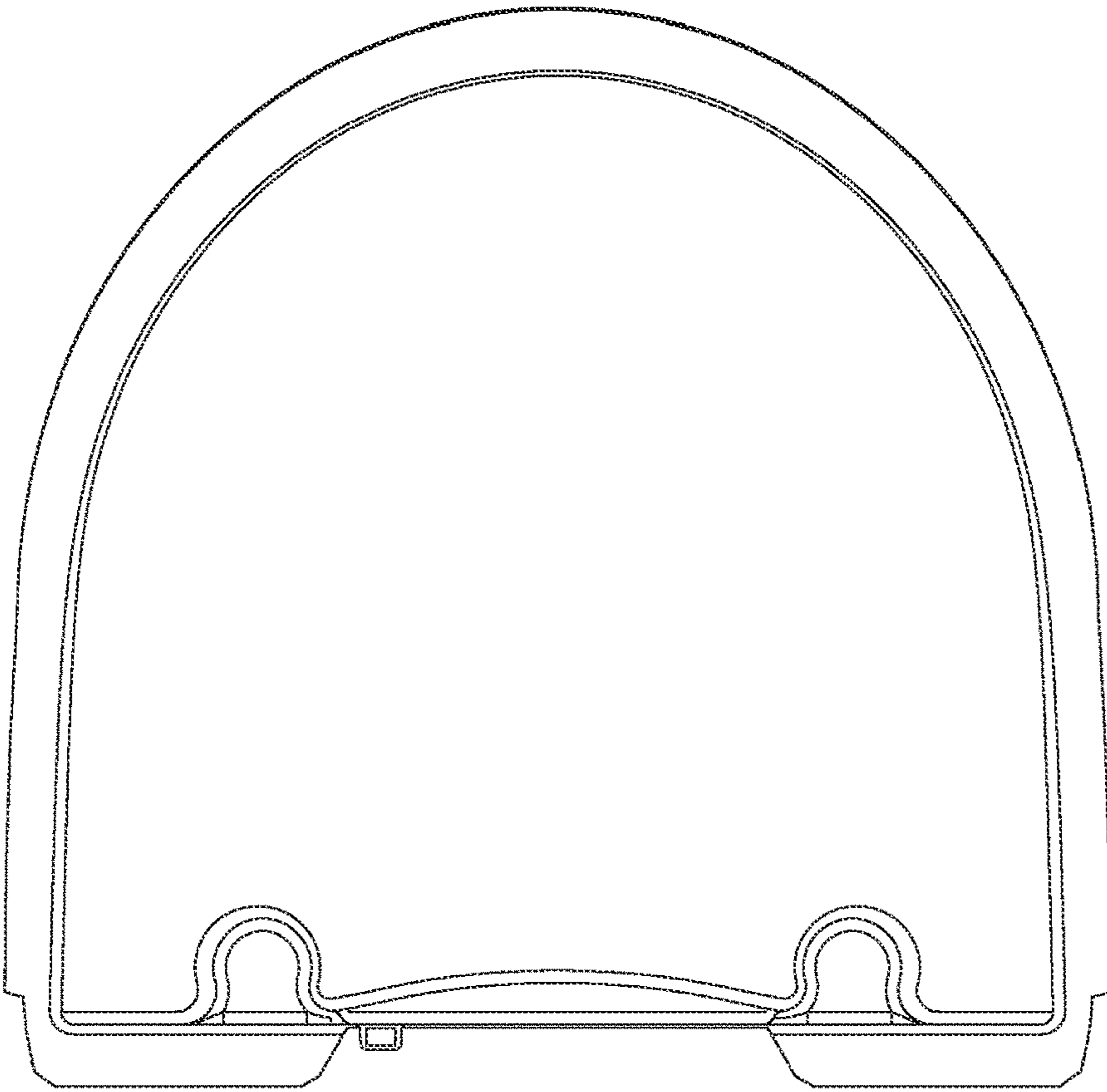


FIG. 3

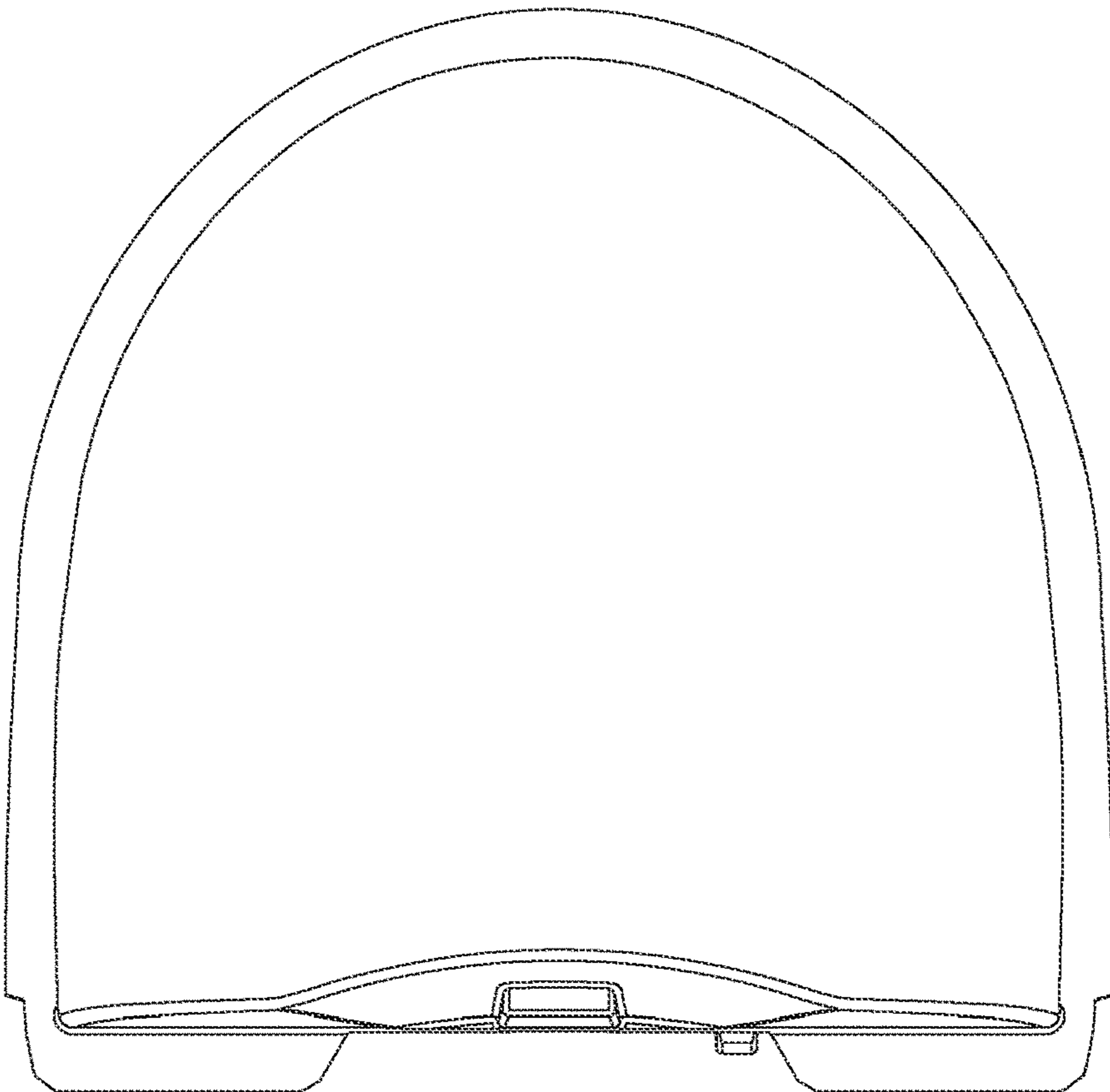


FIG. 4

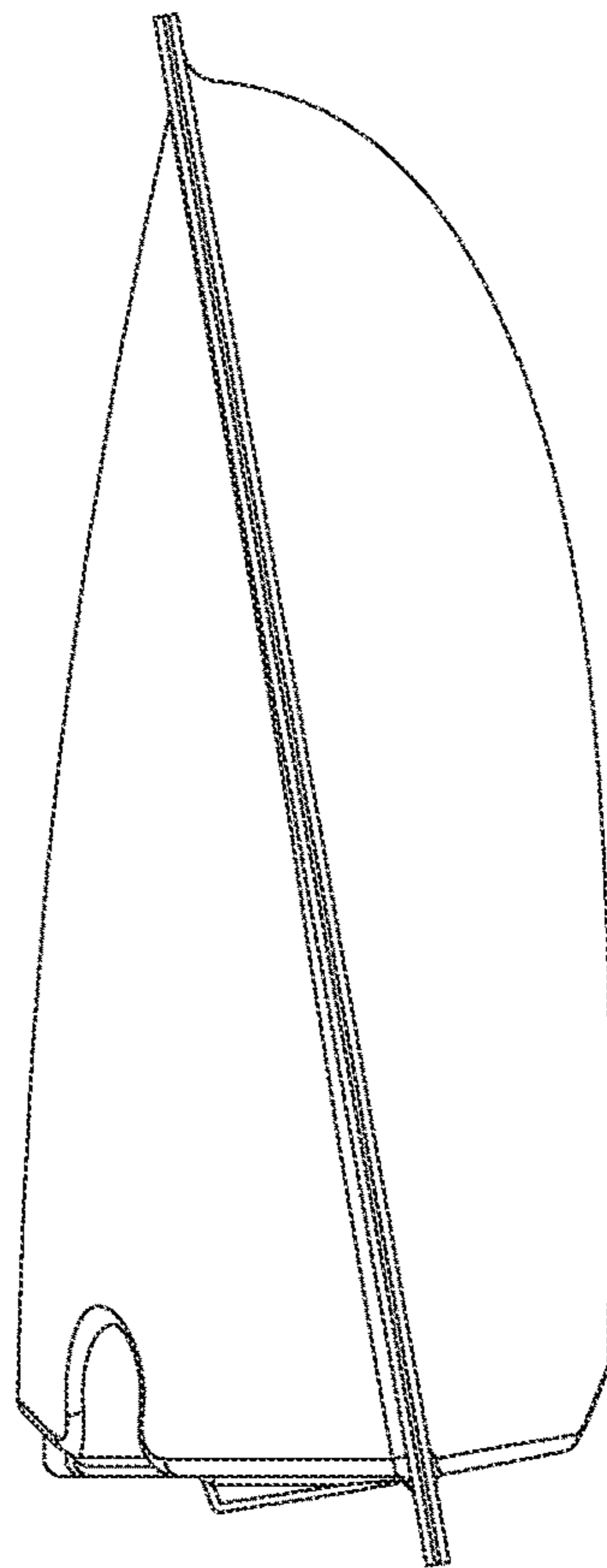


FIG. 5

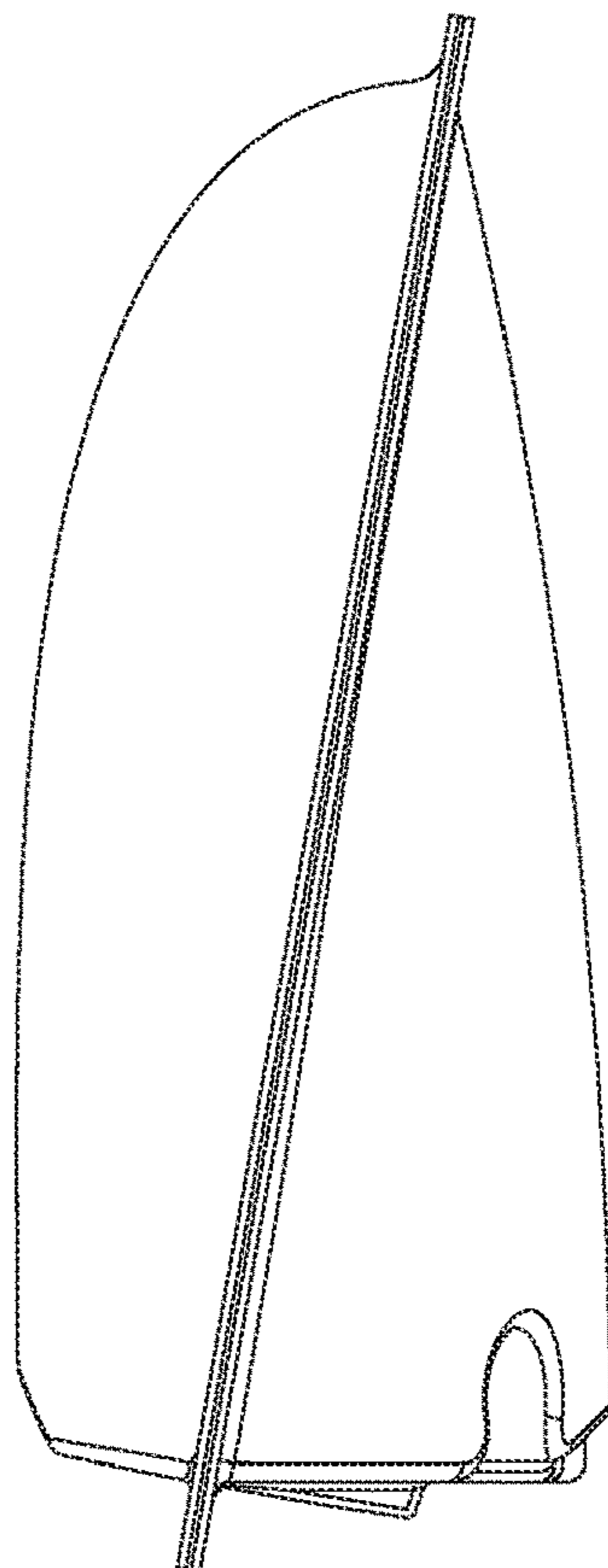


FIG. 6

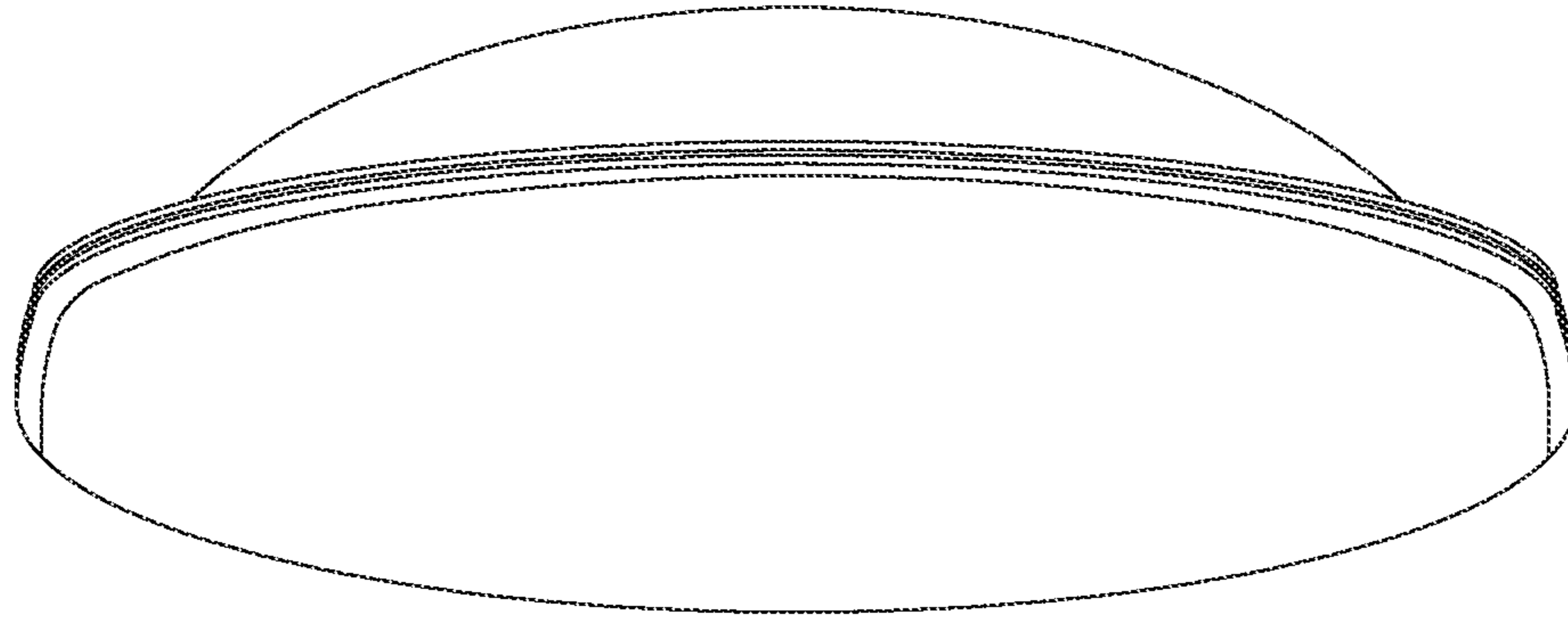


FIG. 7

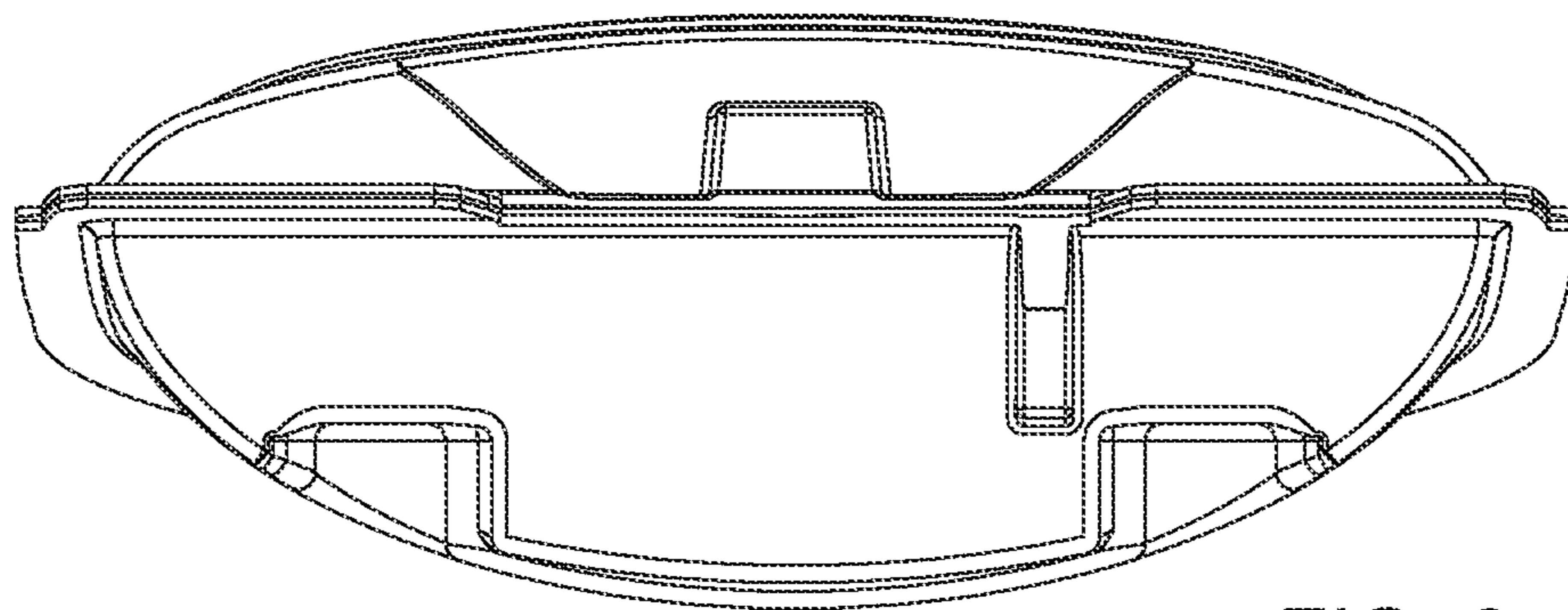


FIG. 8