



US00D940814S

(12) **United States Design Patent**  
**Dobbs et al.**

(10) **Patent No.:** **US D940,814 S**  
(45) **Date of Patent:** **\*\* Jan. 11, 2022**

(54) **KNIFE**

D632,755 S \* 2/2011 Weiguo ..... D22/118  
D671,185 S \* 11/2012 Ryan ..... D22/118  
D752,704 S \* 3/2016 Ma ..... D22/118

(71) Applicant: **Benchmade Knife Co., Inc.**, Oregon  
City, OR (US)

(72) Inventors: **James Dobbs**, Milwaukie, OR (US);  
**Ryan Dickman**, Sandy, OR (US);  
**Vance Collver**, Gladstone, OR (US);  
**Nate Radcliffe**, Lake Oswego, OR  
(US); **Greg Thompson**, Vass, NC (US)

(73) Assignee: **Benchmade Knife Co., Inc.**, Oregon  
City, OR (US)

(\*\*) Term: **15 Years**

(21) Appl. No.: **29/721,204**

(22) Filed: **Jan. 17, 2020**

(51) **LOC (13) Cl.** ..... **22-02**

(52) **U.S. Cl.**  
USPC ..... **D22/118**

(58) **Field of Classification Search**  
USPC ..... D22/118, 117; D7/401.2, 649–651, 656;  
D4/132, 138; D8/98  
CPC .. A22B 5/168; B25G 3/32; B26B 1/00; B26B  
3/00; B26B 5/00  
See application file for complete search history.

(56) **References Cited**

**U.S. PATENT DOCUMENTS**

D267,104 S \* 11/1982 Loveless ..... D22/118  
D269,108 S \* 5/1983 Moeller ..... D22/118  
4,470,327 A \* 9/1984 Gerber, Jr. .... B26B 3/00  
30/344  
D317,037 S \* 5/1991 Koshiishi ..... D22/118  
D318,002 S \* 7/1991 Loveless ..... D7/649  
D383,519 S \* 9/1997 Lainhart ..... D22/118  
D473,608 S \* 4/2003 Garcia Jimenez ..... D22/118  
D527,788 S \* 9/2006 Kellgren ..... D22/118  
D607,530 S \* 1/2010 Craffey ..... D22/118

**OTHER PUBLICATIONS**

Eickhorn-Solingen; <https://www.knifecenter.com/item/EI825187/eickhorn-solingen-sek-ii-sgt-military-daggerdive-knife-39-single-edge-glow-in-the-dark-blade-kydex-sheath>; retrieved from internet Dec. 10, 2019.

\* cited by examiner

*Primary Examiner* — Catherine R Oliver-Garcia  
(74) *Attorney, Agent, or Firm* — Schwabe, Williamson & Wyatt, P.C.

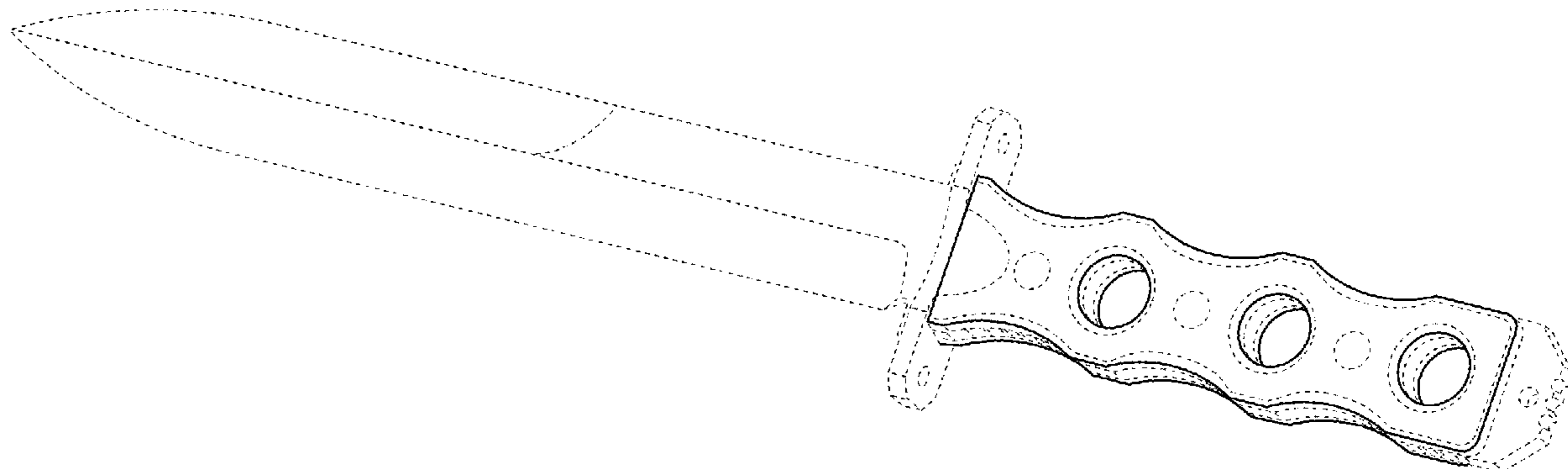
(57) **CLAIM**

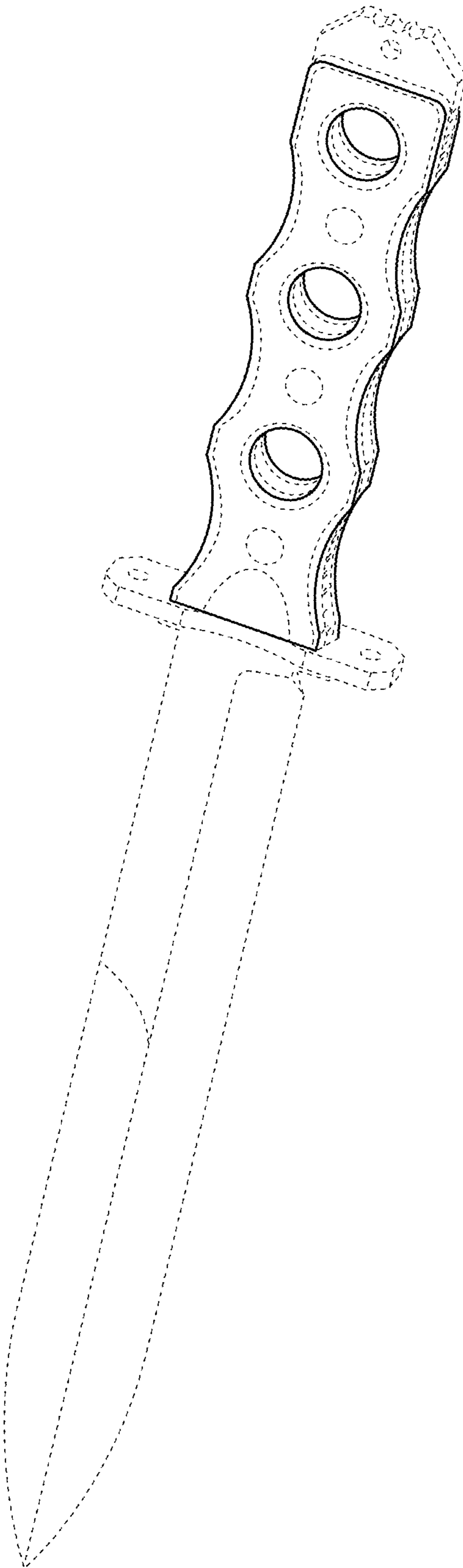
We claim the ornamental design for a knife, as shown and described.

**DESCRIPTION**

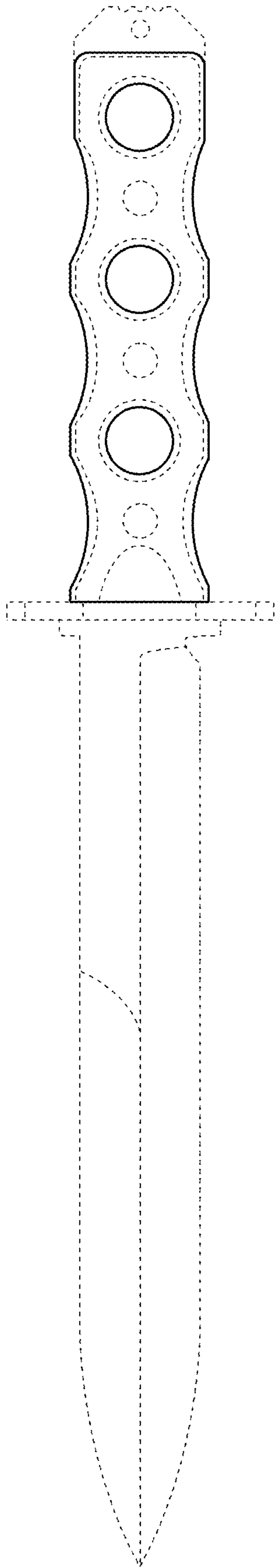
FIG. 1 is a perspective view of a knife, showing our new design;  
FIG. 2 is a right side view thereof;  
FIG. 3 is a left side view thereof;  
FIG. 4 is a top view thereof;  
FIG. 5 is a bottom view thereof;  
FIG. 6 is a rear view thereof;  
FIG. 7 is a front view thereof;  
FIG. 8 is a perspective view of a knife, showing our new design;  
FIG. 9 is a right side view thereof;  
FIG. 10 is a left side view thereof;  
FIG. 11 is a top view thereof;  
FIG. 12 is a bottom view thereof;  
FIG. 13 is a rear view thereof; and,  
FIG. 14 is a front view thereof.  
The broken lines are provided for environmental purposes only and form no part of the claimed design.

**1 Claim, 6 Drawing Sheets**

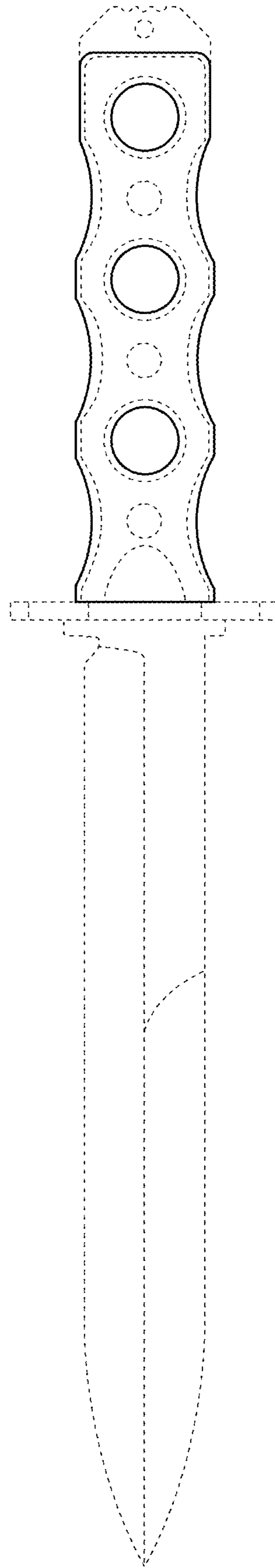




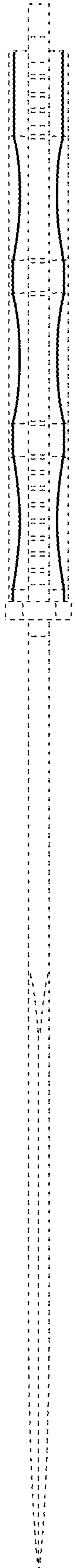
**FIG. 1**



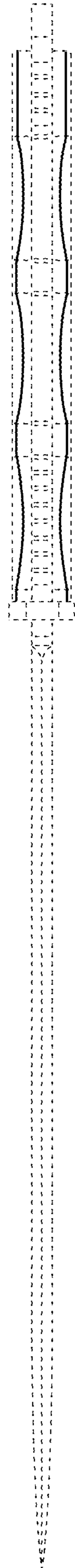
**FIG. 2**



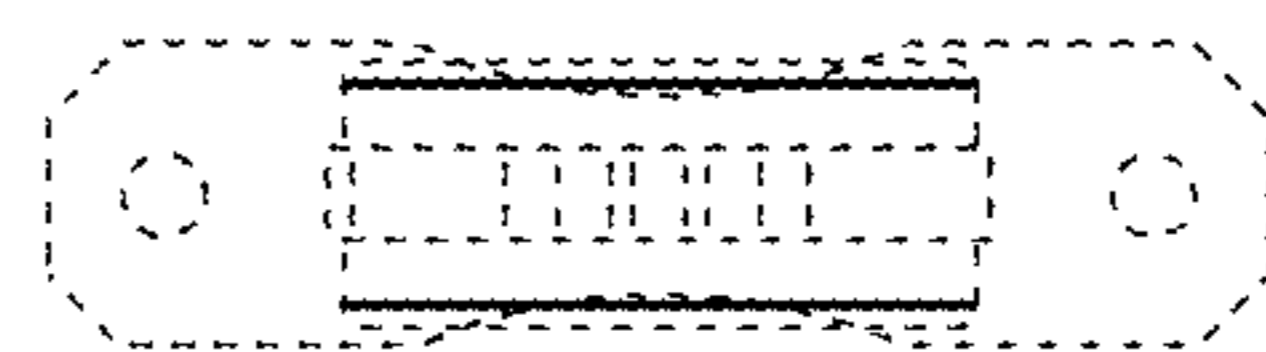
**FIG. 3**



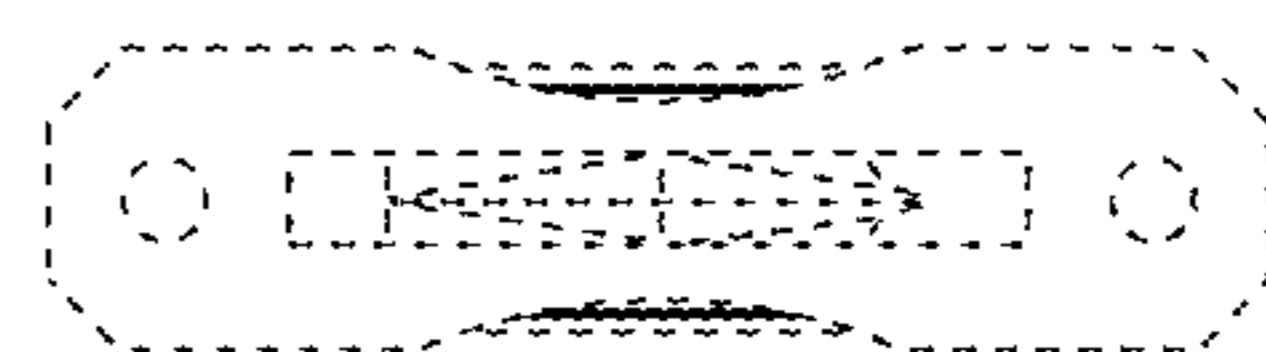
**FIG. 4**



**FIG. 5**



**FIG. 6**



**FIG. 7**

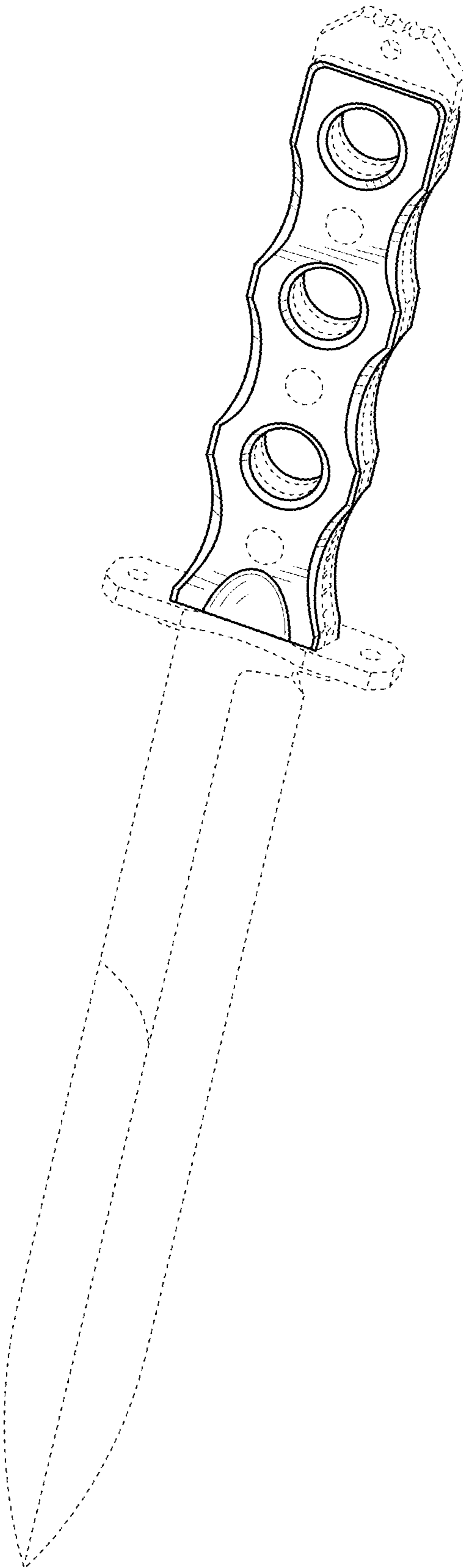
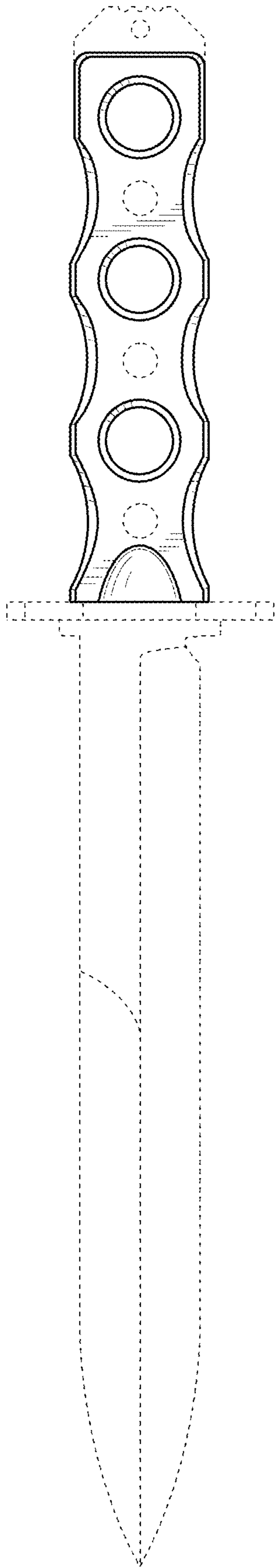
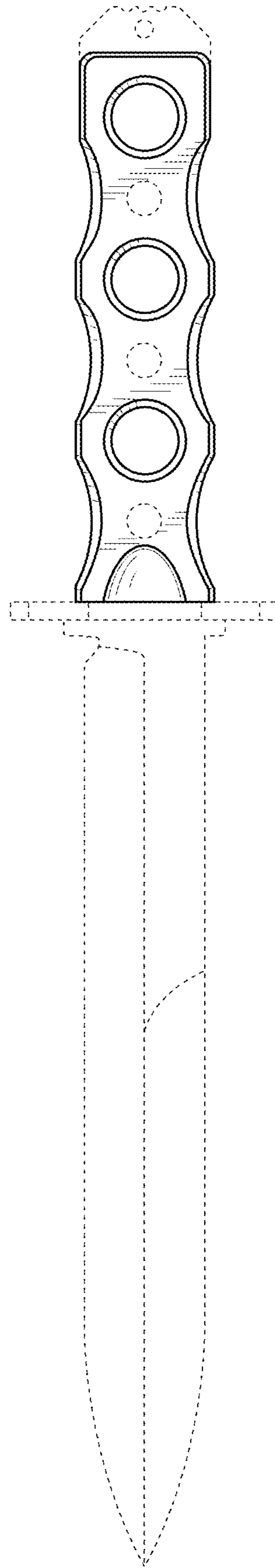


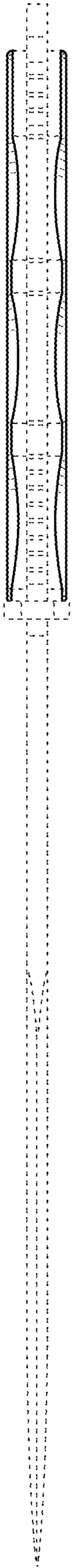
FIG. 8



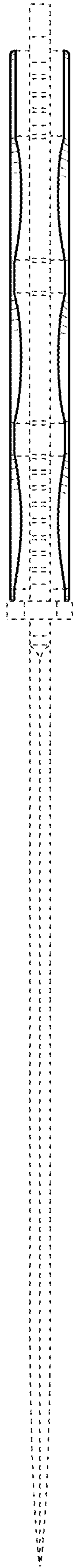
**FIG. 9**



**FIG. 10**



**FIG. 11**



**FIG. 12**



**FIG. 13**



**FIG. 14**