



US00D940813S

(12) **United States Design Patent**  
**Weigand**

(10) **Patent No.:** **US D940,813 S**

(45) **Date of Patent:** **\*\* Jan. 11, 2022**

(54) **SELF FITTING LUG FOR A FIREARM MOUNT**

(71) Applicant: **John Charles Weigand**, Mountain Top, PA (US)

(72) Inventor: **John Charles Weigand**, Mountain Top, PA (US)

(73) Assignee: **Weigand Machine and Design**, Mountain Top, PA (US)

(\*\*) Term: **15 Years**

(21) Appl. No.: **29/684,007**

(22) Filed: **Mar. 18, 2019**

(51) **LOC (13) Cl.** ..... **22-01**

(52) **U.S. Cl.**  
USPC ..... **D22/109**

(58) **Field of Classification Search**  
USPC ..... D22/100, 101, 107, 108, 109, 110, 111  
CPC ..... F41A 23/005; F41A 23/50; F41G 11/003  
See application file for complete search history.

(56) **References Cited**

**U.S. PATENT DOCUMENTS**

4,383,371 A *	5/1983	Coffey	.....	F41G 11/003	42/124
D291,469 S	8/1987	Bechtel			
4,776,126 A	10/1988	Williams			
D305,561 S	1/1990	Novak			
4,890,407 A	1/1990	Nichols			
D410,061 S	5/1999	Emerson			
D429,790 S *	8/2000	Plonka	.....	D22/100	
7,243,456 B2 *	7/2007	Williams	.....	F41G 11/003	42/124
D611,113 S	3/2010	Kay			
D619,195 S	7/2010	Bengtsson			
D670,352 S	11/2012	Norberg et al.			
D674,860 S *	1/2013	Deros	.....	D22/108	
D683,417 S *	5/2013	Daniel	.....	D22/108	
D701,934 S *	4/2014	Castaneda	.....	D22/108	

D716,410 S	10/2014	Wallgren			
D725,222 S	3/2015	Heidkamp			
D725,223 S	3/2015	Heidkamp			
D726,864 S *	4/2015	Huang, Sr.	.....	D22/108	
D732,631 S	6/2015	Cheng et al.			
D732,632 S	6/2015	Cheng et al.			
D739,913 S	9/2015	Nevils et al.			
D752,700 S	3/2016	Nevils et al.			
D756,763 S *	5/2016	Swan	.....	D8/394	
D760,863 S	7/2016	Wallgren			

(Continued)

**OTHER PUBLICATIONS**

“Field Optics Research FM-210 M-LOK Rail Mount (Matte Black)”  
[online]. bhphotovideo.com. [Retrieved on Sep. 28, 2021]. Retrieved  
from the Internet: <[https://www.bhphotovideo.com/c/product/1411310-REG/field\\_optics\\_research\\_fm\\_210\\_m\\_lok\\_rail\\_mount.html](https://www.bhphotovideo.com/c/product/1411310-REG/field_optics_research_fm_210_m_lok_rail_mount.html)>.\*

*Primary Examiner* — Mojtaba Tehrani

(74) *Attorney, Agent, or Firm* — Dunlap Bennett & Ludwig, PLLC; Brendan E. Squire

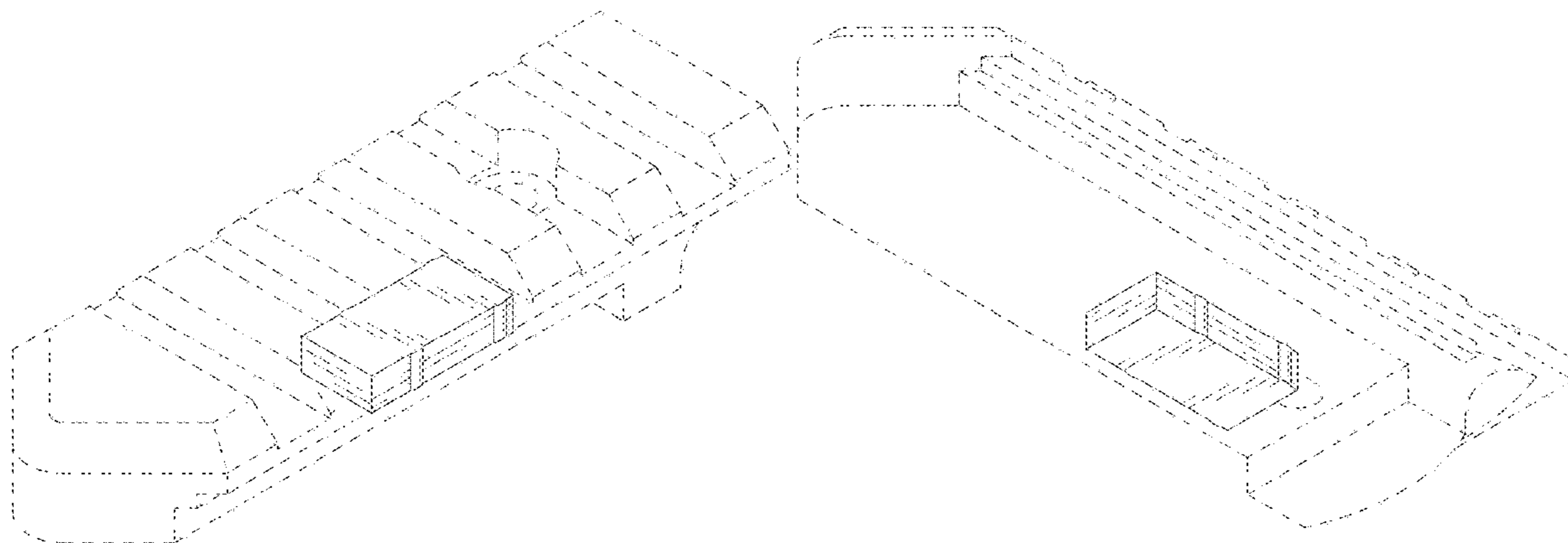
(57) **CLAIM**

The ornamental design for a self fitting lug for a firearm mount, as shown and described.

**DESCRIPTION**

FIG. 1 is a top front perspective view of self fitting lug for a firearm mount showing my new design;  
FIG. 2 is a bottom front perspective view thereof;  
FIG. 3 is a front elevation view thereof;  
FIG. 4 is a rear elevation view thereof;  
FIG. 5 is a right elevation view thereof, with the left elevation view being a mirror image thereof;  
FIG. 6 is a top plan view thereof; and,  
FIG. 7 is a bottom plan view thereof.  
The broken lines shown in the drawings illustrate portions of the self fitting lug for a firearm mount that form no part of the claimed design.

**1 Claim, 3 Drawing Sheets**



(56)

**References Cited**

U.S. PATENT DOCUMENTS

D768,257	S	10/2016	Boyd et al.	
D769,397	S	10/2016	Lam et al.	
D777,286	S	1/2017	Weigand	
D787,007	S	5/2017	Maughn	
D795,378	S	8/2017	Huang	
D797,233	S	9/2017	Howlett et al.	
9,772,161	B1 *	9/2017	Cheng .....	F41C 23/16
D819,771	S	6/2018	Geissele	
10,101,126	B2 *	10/2018	Sharron .....	F41G 11/003
D837,330	S *	1/2019	Ding .....	D22/108
D838,804	S	1/2019	Hillman et al.	
10,240,901	B1 *	3/2019	Cheng .....	F41A 35/00
10,473,432	B2 *	11/2019	Jen .....	F41G 11/003
D877,843	S *	3/2020	Yu .....	D22/108
D892,255	S *	8/2020	Turner .....	D22/108
D897,482	S *	9/2020	Podgurny .....	D22/109
10,830,548	B2 *	11/2020	Kujawski .....	F41A 17/063
10,969,201	B1 *	4/2021	Pischke .....	F41G 1/34
11,131,525	B2 *	9/2021	Williams .....	F41C 23/16
2016/0033221	A1 *	2/2016	Schmehl .....	F41G 11/003
				42/90
2016/0091272	A1 *	3/2016	Hines .....	F41A 35/00
				42/90

\* cited by examiner

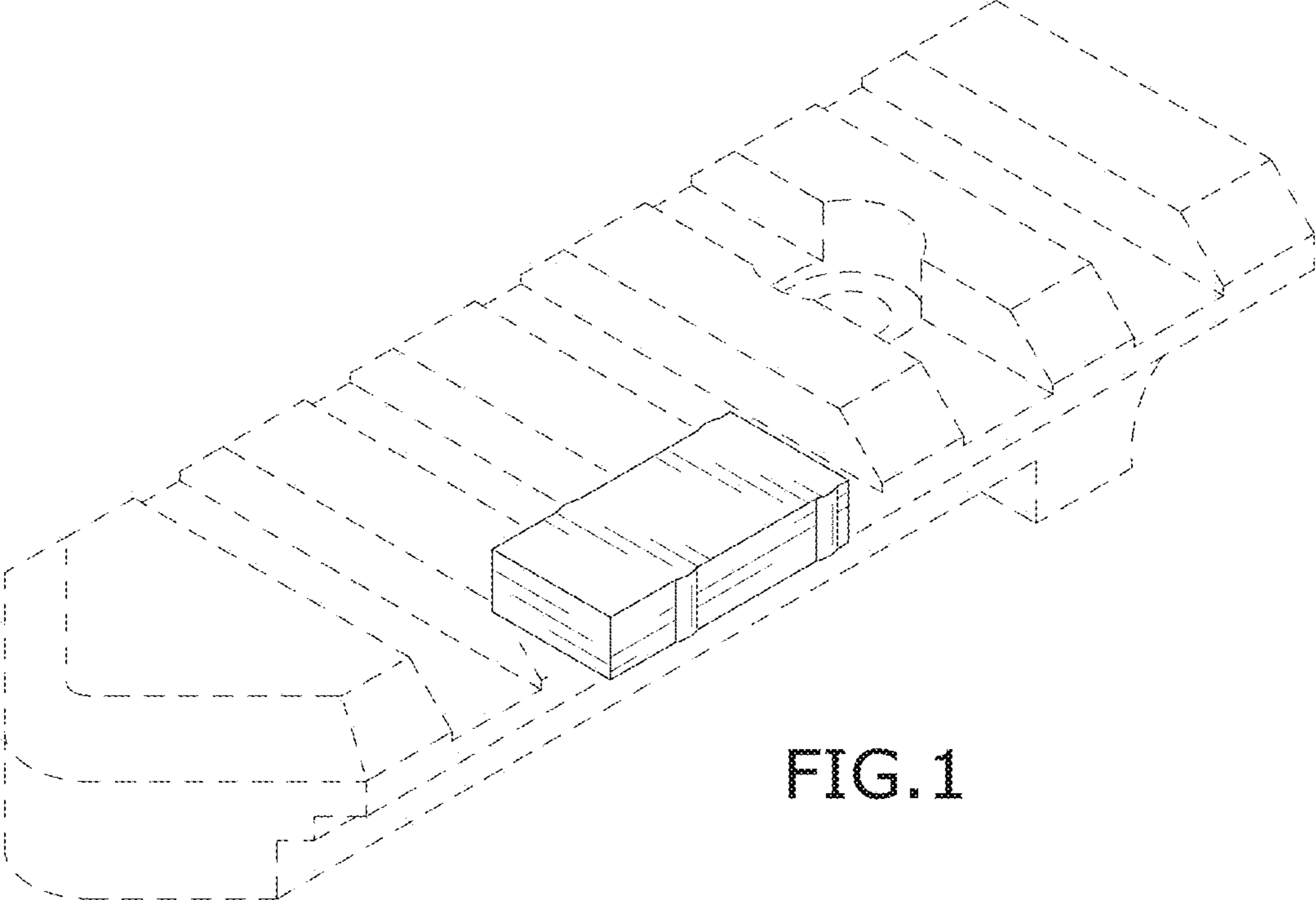


FIG. 1

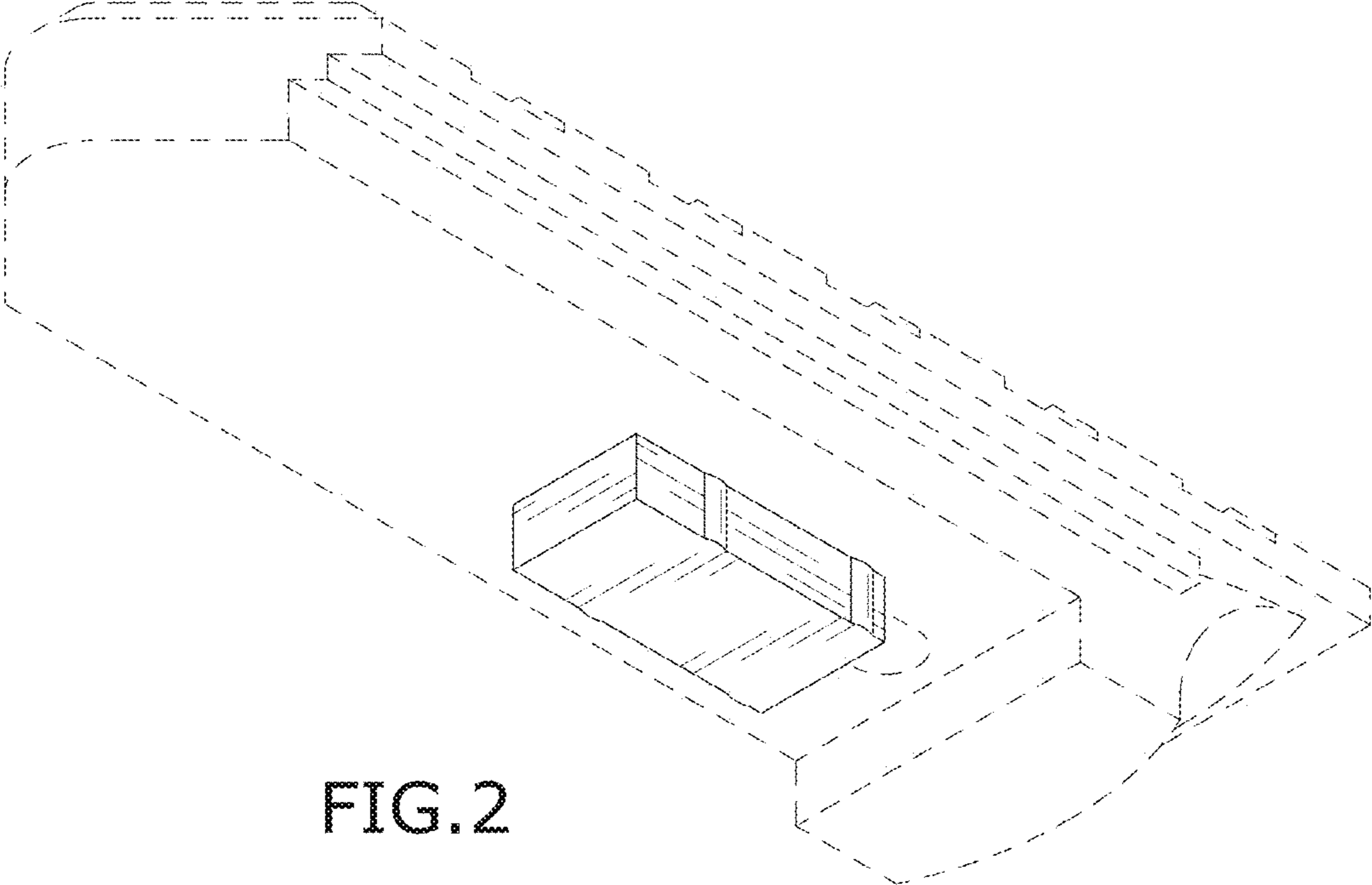


FIG. 2

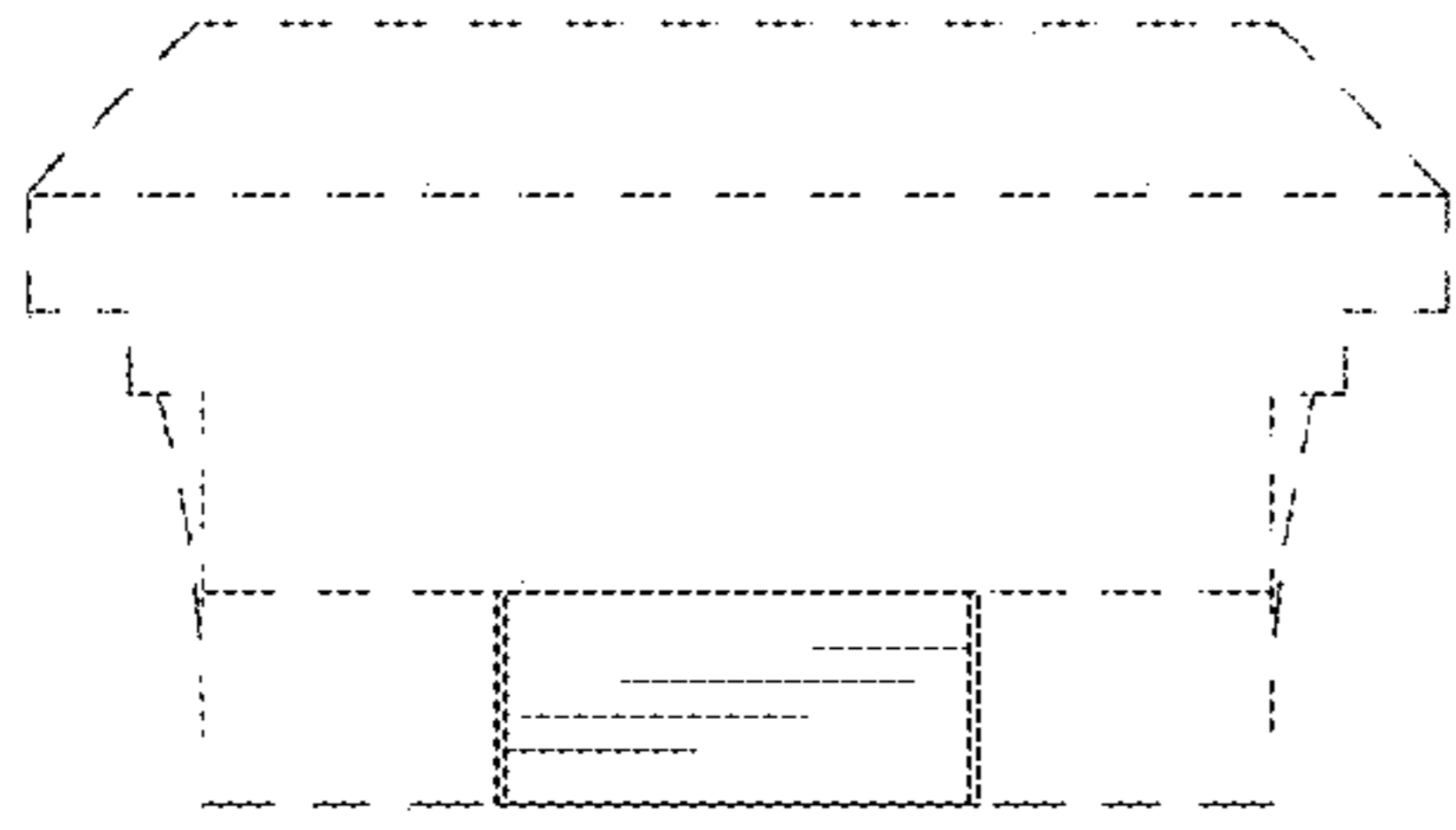


FIG.3

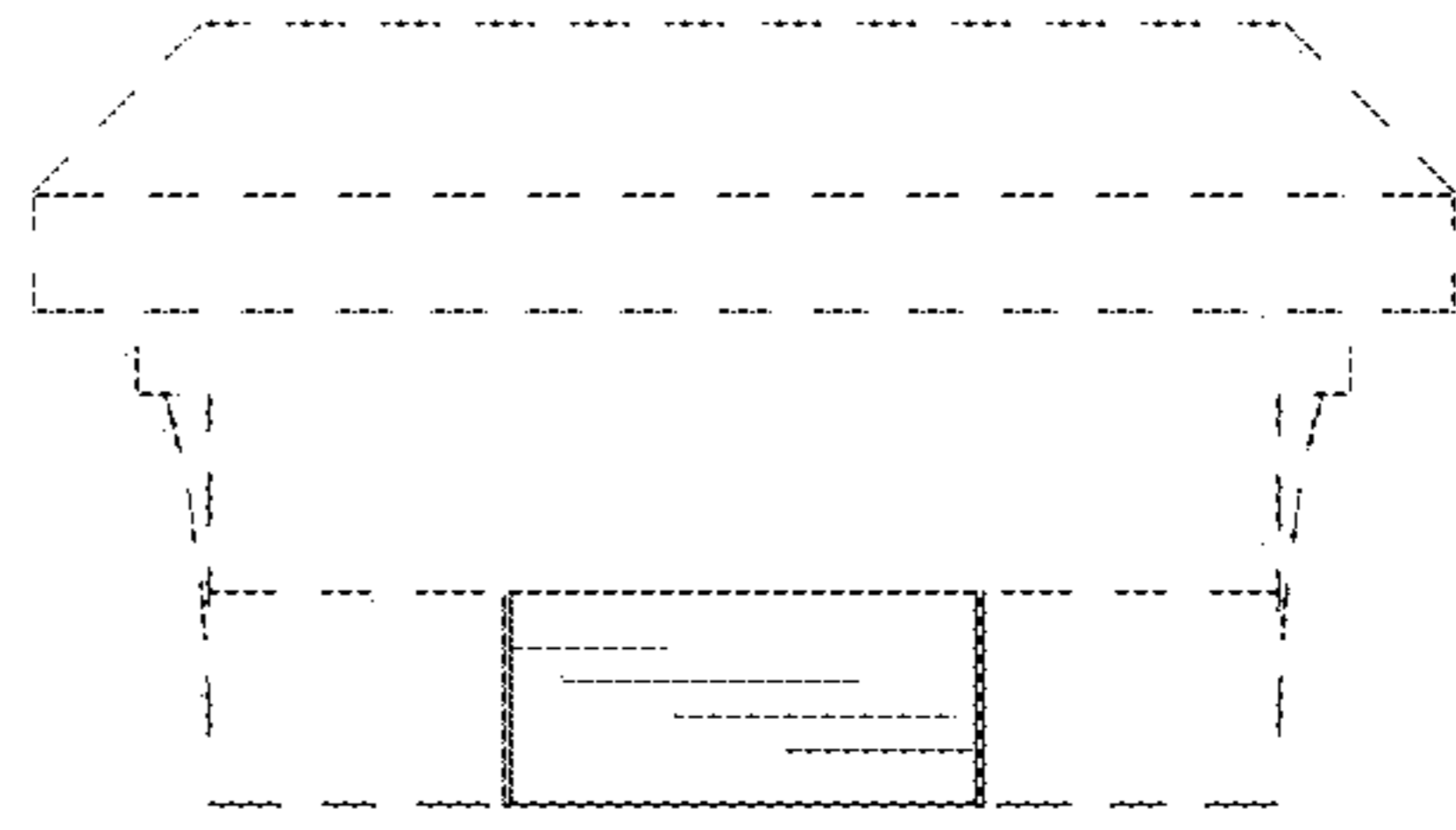


FIG.4

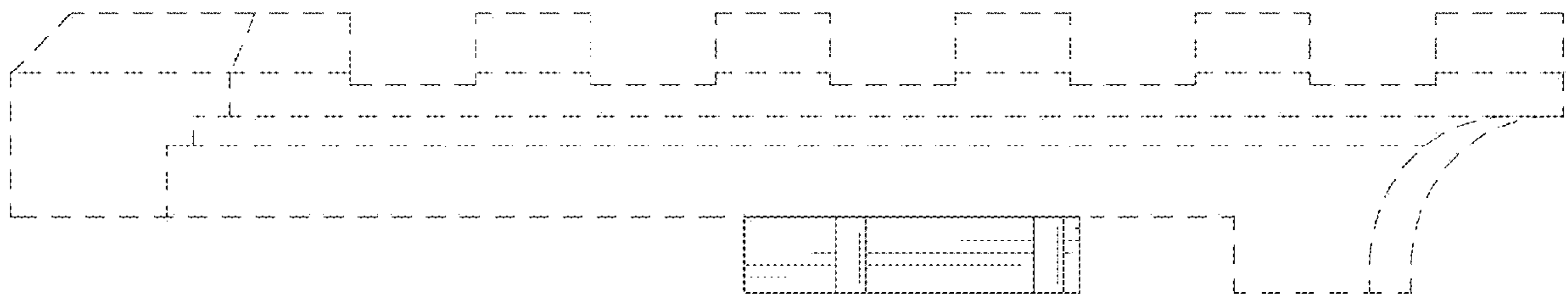


FIG.5

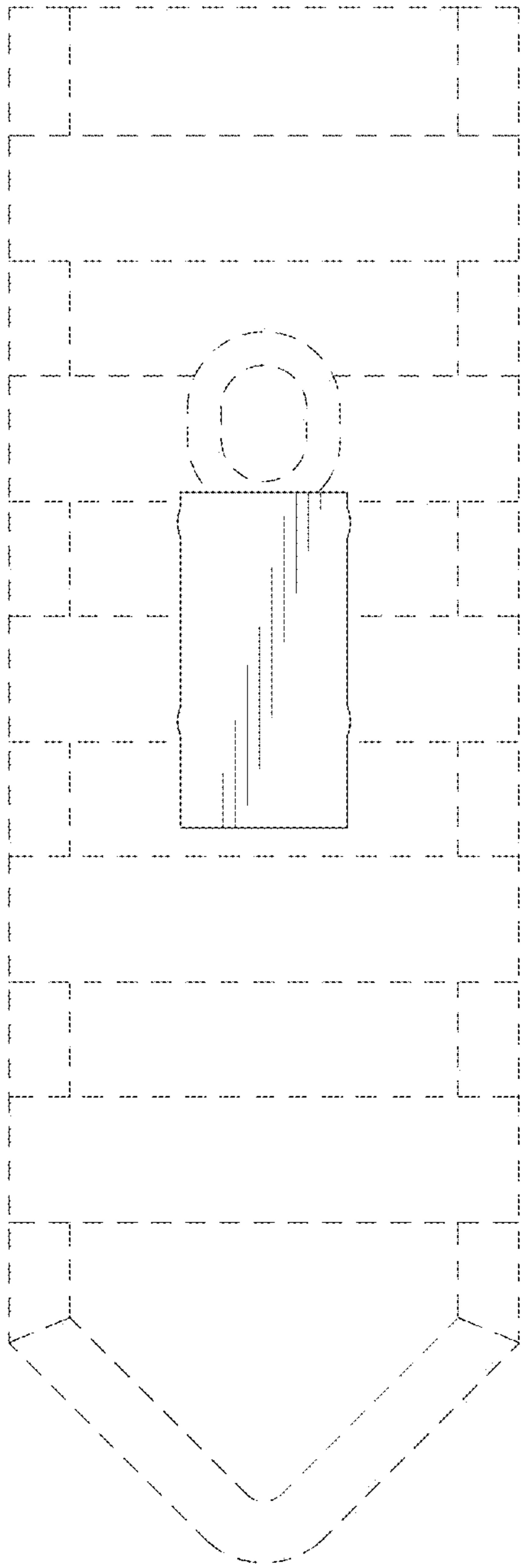


FIG. 6

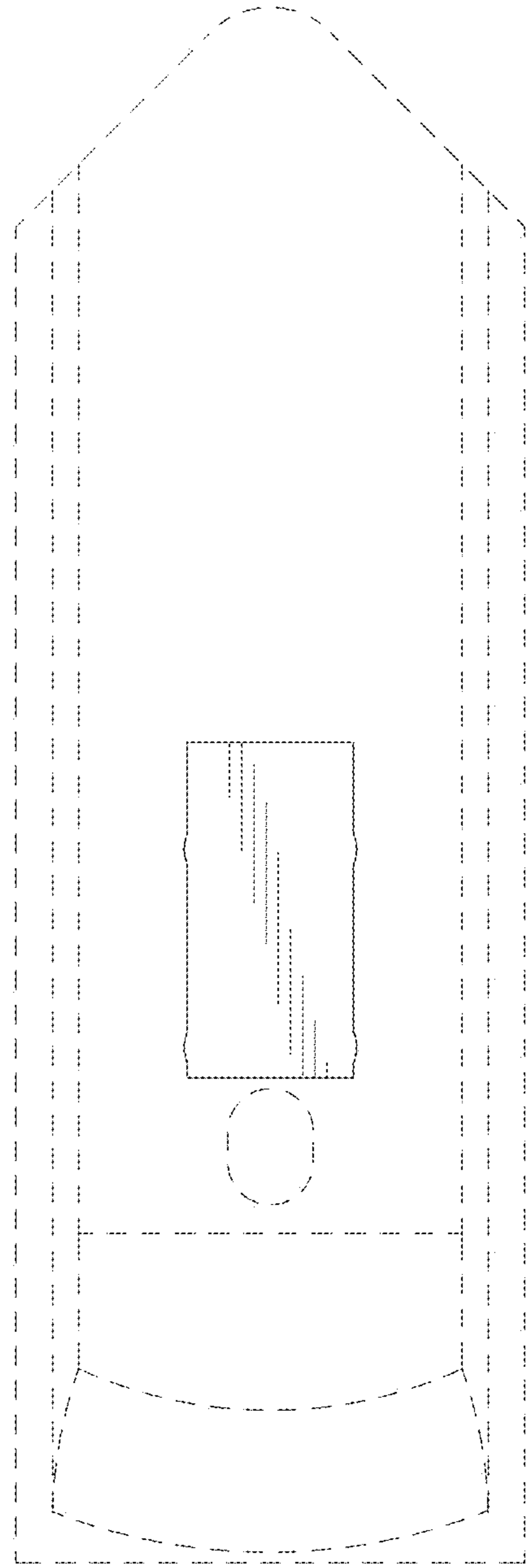


FIG. 7