

US00D940812S

(12) **United States Design Patent**  
**He**

(10) **Patent No.:** **US D940,812 S**

(45) **Date of Patent:** **\*\* Jan. 11, 2022**

(54) **MAGAZINE BRACKET**

(71) Applicant: **Feng He**, Rizhao (CN)

(72) Inventor: **Feng He**, Rizhao (CN)

(\*\*) Term: **15 Years**

(21) Appl. No.: **29/766,751**

(22) Filed: **Jan. 18, 2021**

(51) **LOC (13) Cl.** ..... **22-01**

(52) **U.S. Cl.**  
USPC ..... **D22/108**

(58) **Field of Classification Search**  
USPC ..... D8/349, 354, 373, 380; D22/108-110,  
D22/114, 199; D6/368, 552  
CPC ... B60R 7/14; B60R 5/04; B60R 11/00; F41A  
23/10; F41A 23/18; F41A 17/44; F41A  
23/16; F41A 29/00  
See application file for complete search history.

(56) **References Cited**

**U.S. PATENT DOCUMENTS**

|              |         |          |       |         |
|--------------|---------|----------|-------|---------|
| D272,785 S * | 2/1984  | Rumbaugh | ..... | D6/552  |
| D297,110 S * | 8/1988  | Zagorski | ..... | 141/392 |
| D321,126 S * | 10/1991 | Westphal | ..... | D8/380  |
| D404,952 S * | 2/1999  | Bauer    | ..... | D6/552  |
| D720,206 S * | 12/2014 | Brennan  | ..... | D8/380  |

|              |         |                 |       |        |
|--------------|---------|-----------------|-------|--------|
| D756,684 S * | 5/2016  | Carr            | ..... | D6/552 |
| D791,901 S   | 7/2017  | Swan et al.     |       |        |
| D794,433 S * | 8/2017  | McCoy           | ..... | D8/380 |
| D816,793 S   | 5/2018  | McCallum et al. |       |        |
| D897,822 S * | 10/2020 | Kotze           | ..... | D8/354 |

\* cited by examiner

*Primary Examiner* — Michael A. Pratt

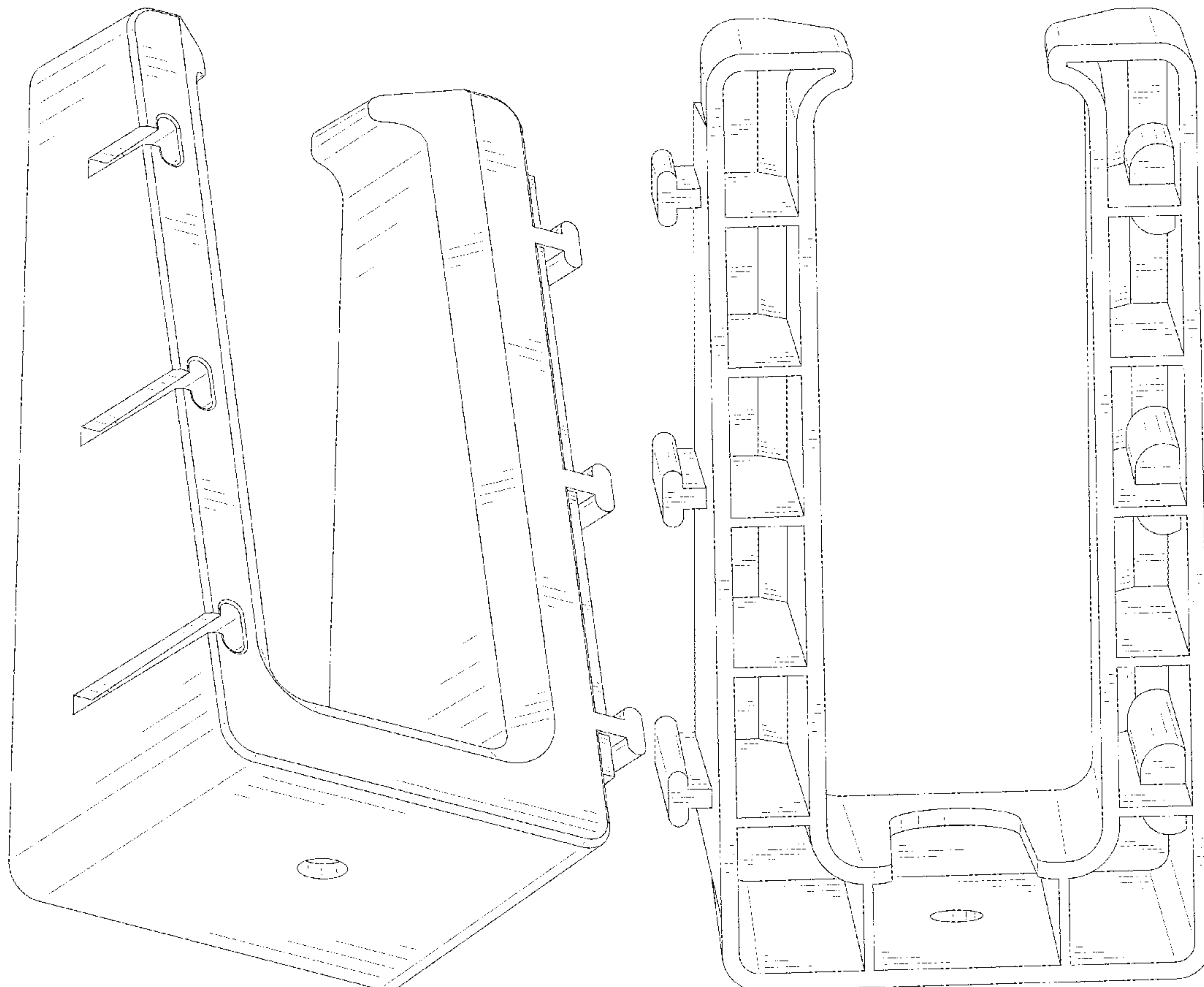
(57) **CLAIM**

The ornamental design for a magazine bracket, as shown and described.

**DESCRIPTION**

FIG. 1 is a perspective view of a magazine bracket showing my new design;  
 FIG. 2 is another perspective view thereof;  
 FIG. 3 is a front elevational view thereof;  
 FIG. 4 is a rear elevational view thereof;  
 FIG. 5 is a left side elevational view thereof;  
 FIG. 6 is a right side elevational view thereof;  
 FIG. 7 is a top plan view thereof;  
 FIG. 8 is a bottom plan view thereof;  
 FIG. 9 is a perspective view of the magazine bracket where the magazine bracket is in a first configuration of use; and,  
 FIG. 10 is a perspective view of the magazine bracket where the magazine bracket is in a second configuration of use.  
 The broken lines in the drawings depict portions of the magazine bracket that form no part of the claimed design.

**1 Claim, 10 Drawing Sheets**



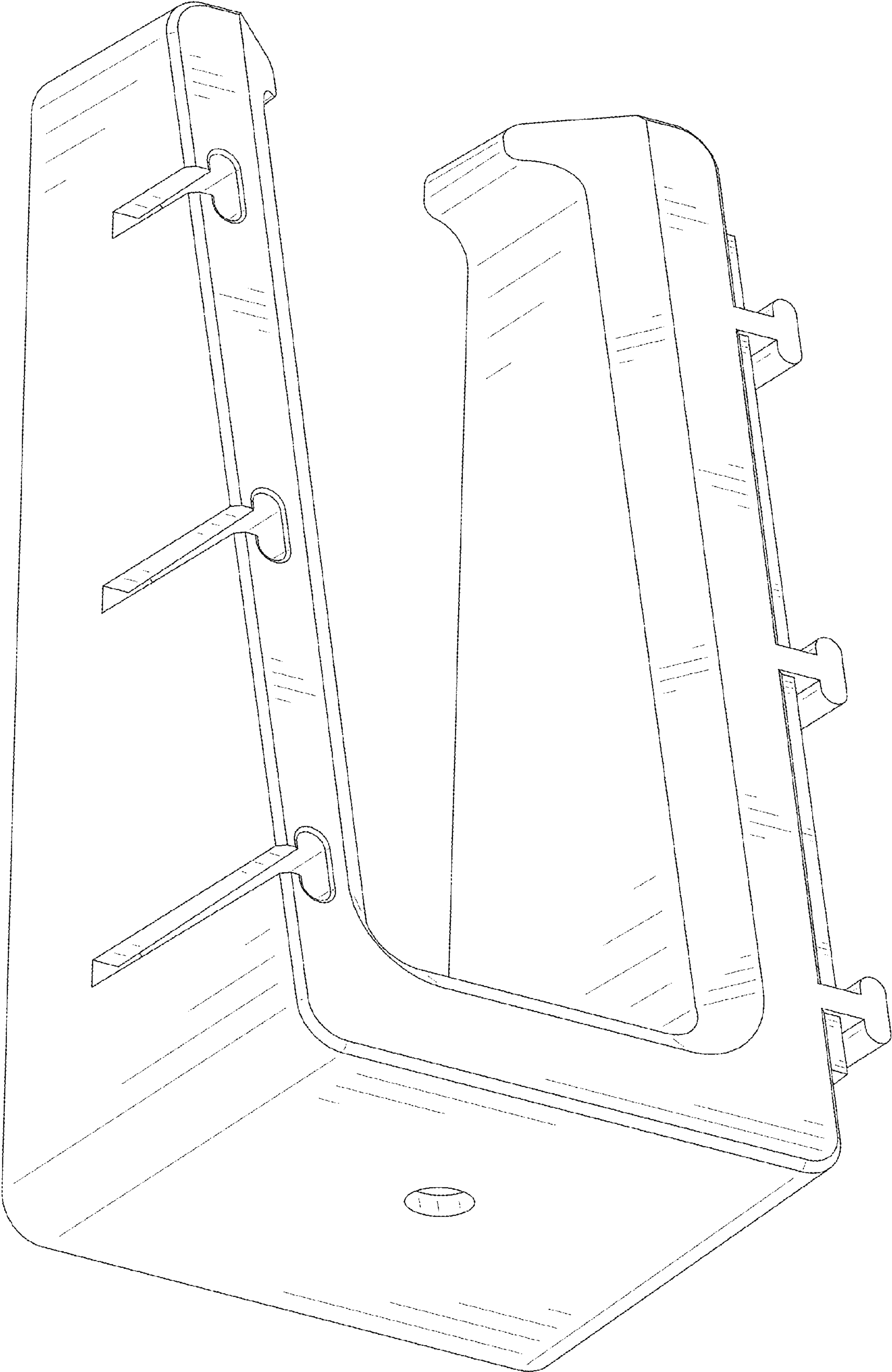


FIG. 1

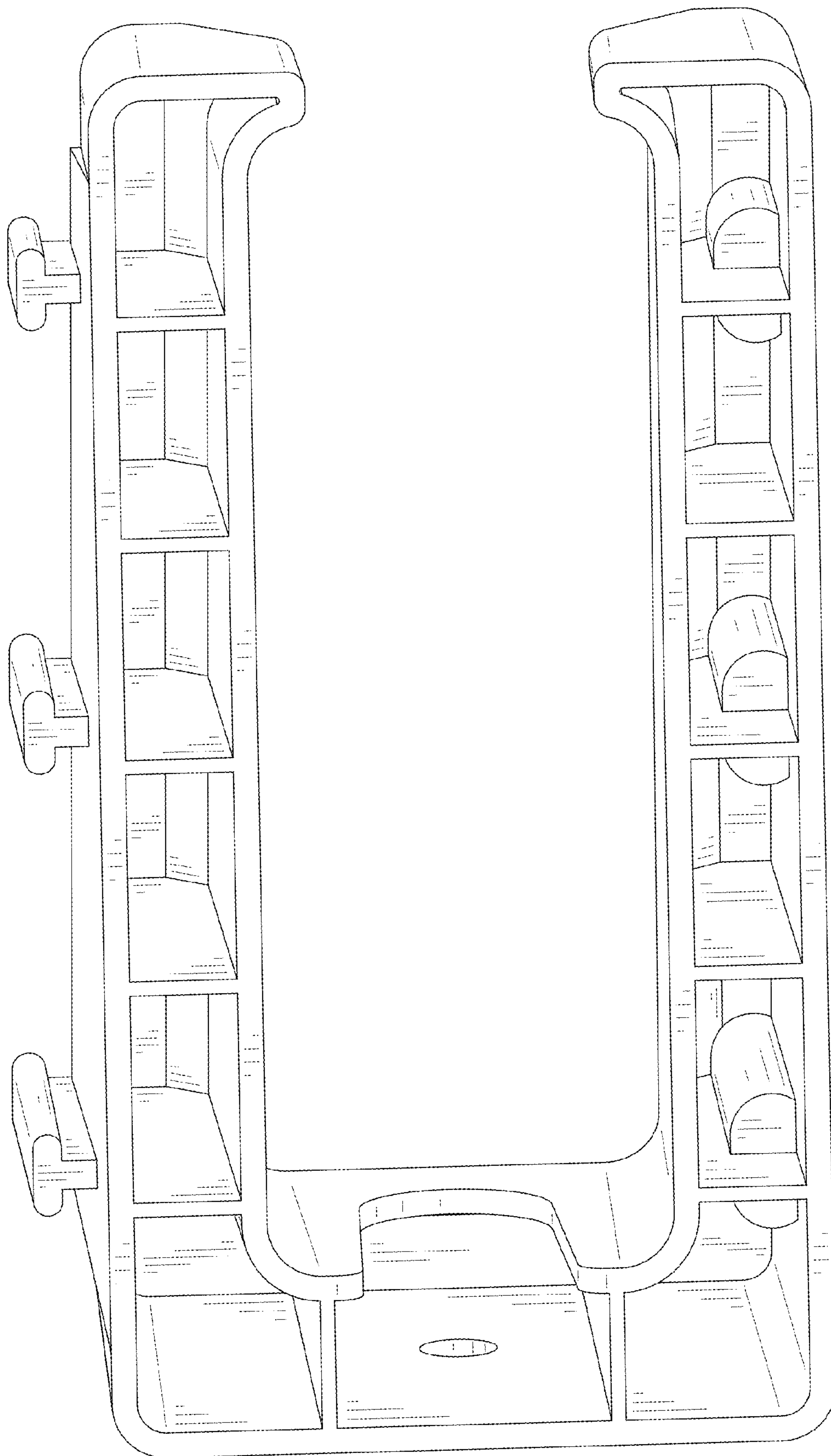


FIG. 2

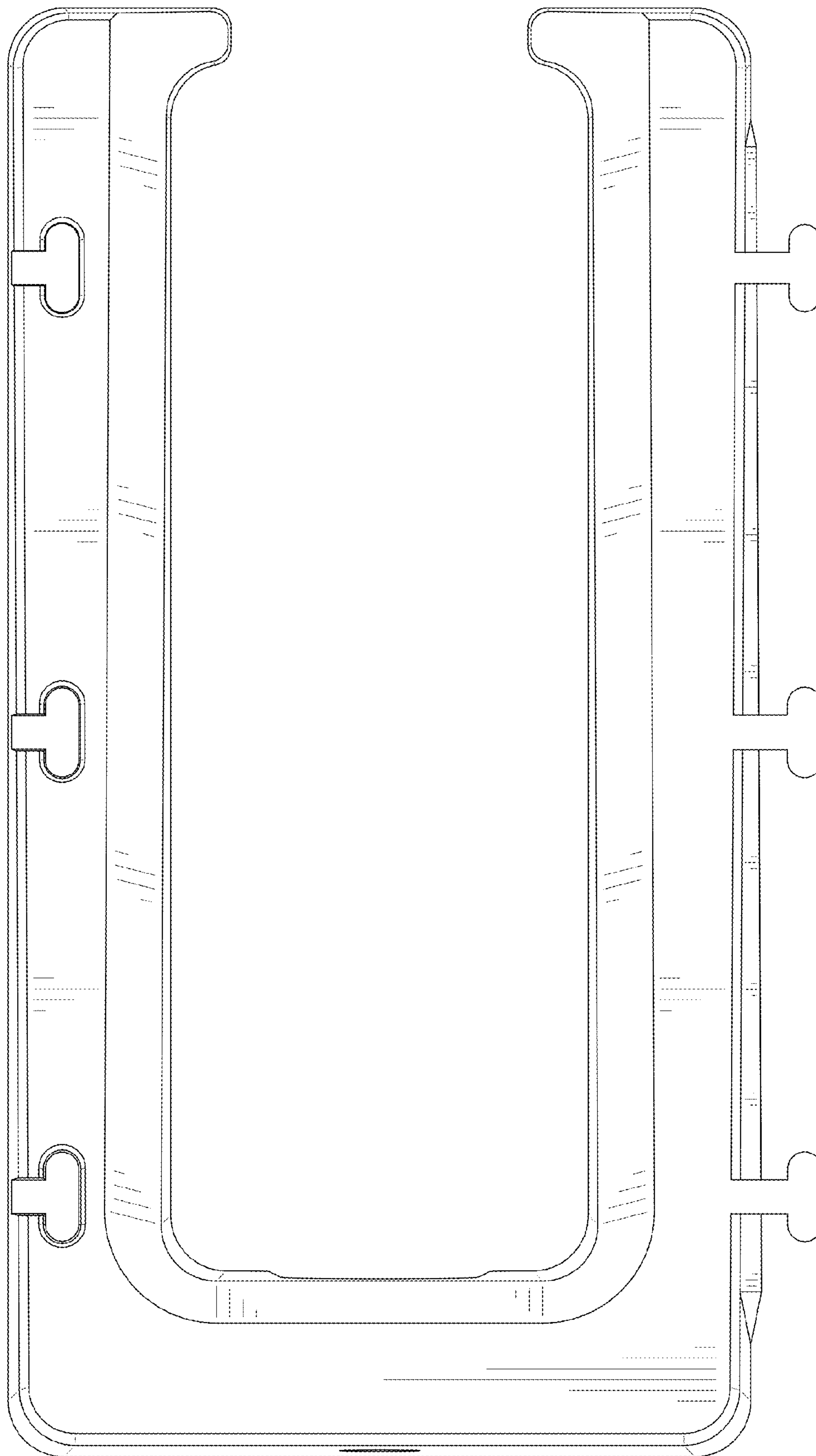


FIG. 3



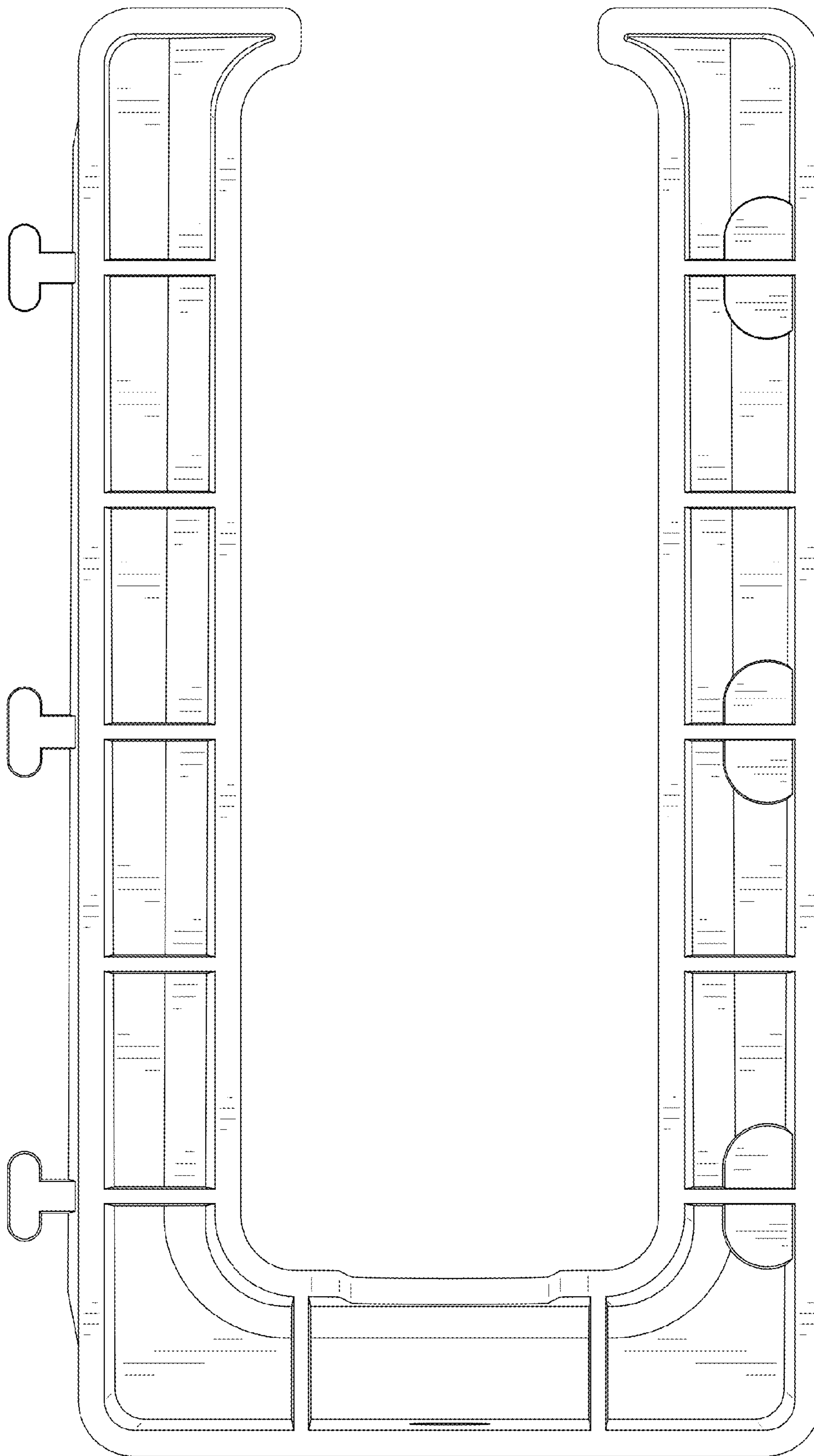


FIG. 4

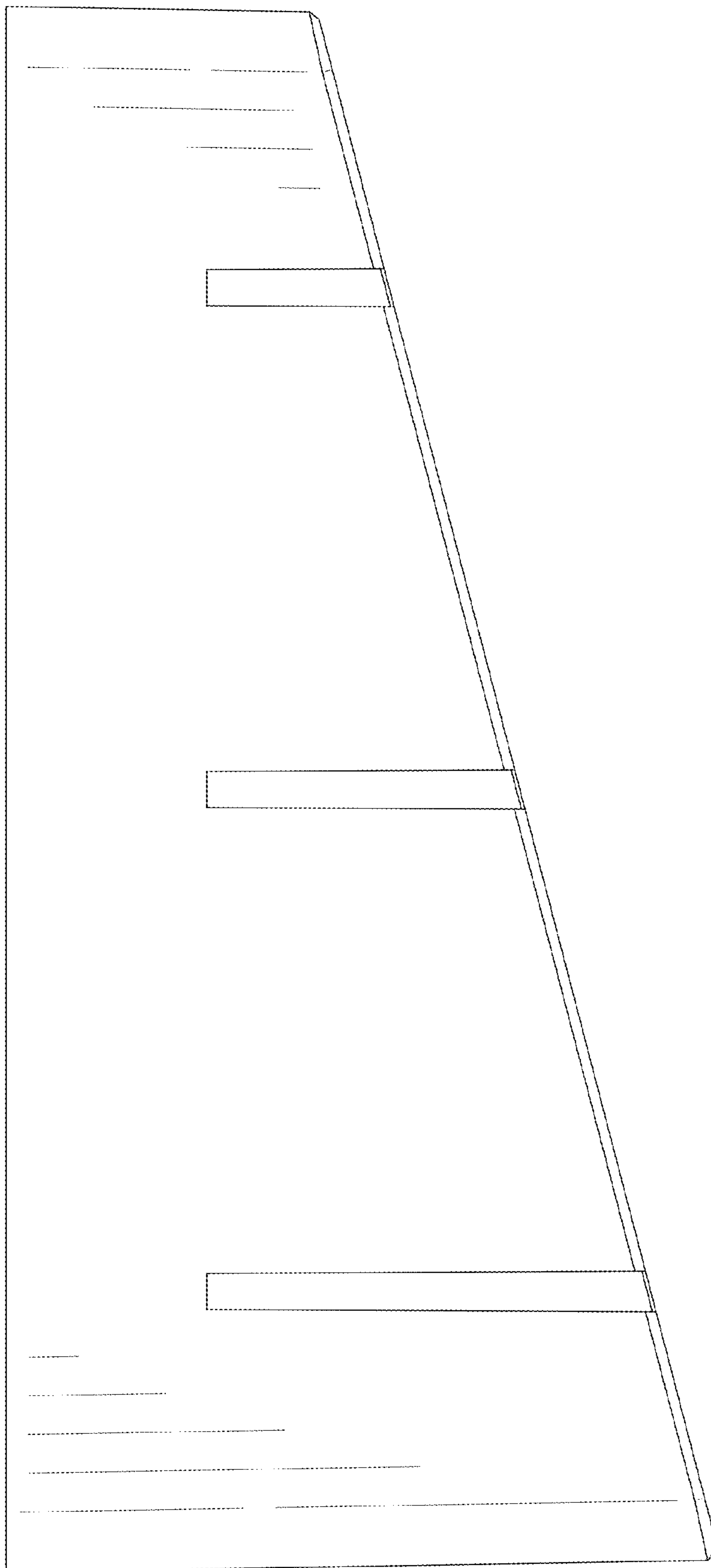


FIG. 5

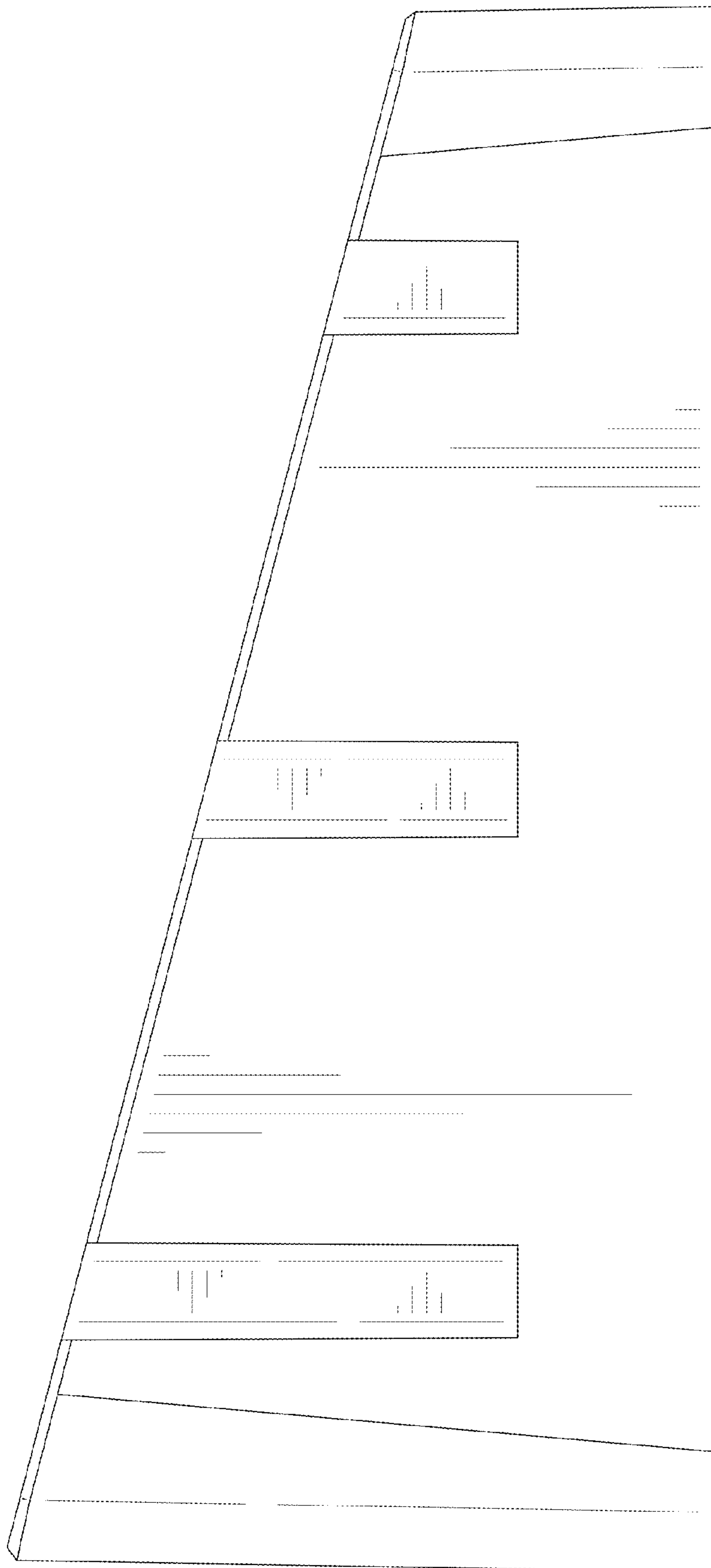


FIG. 6

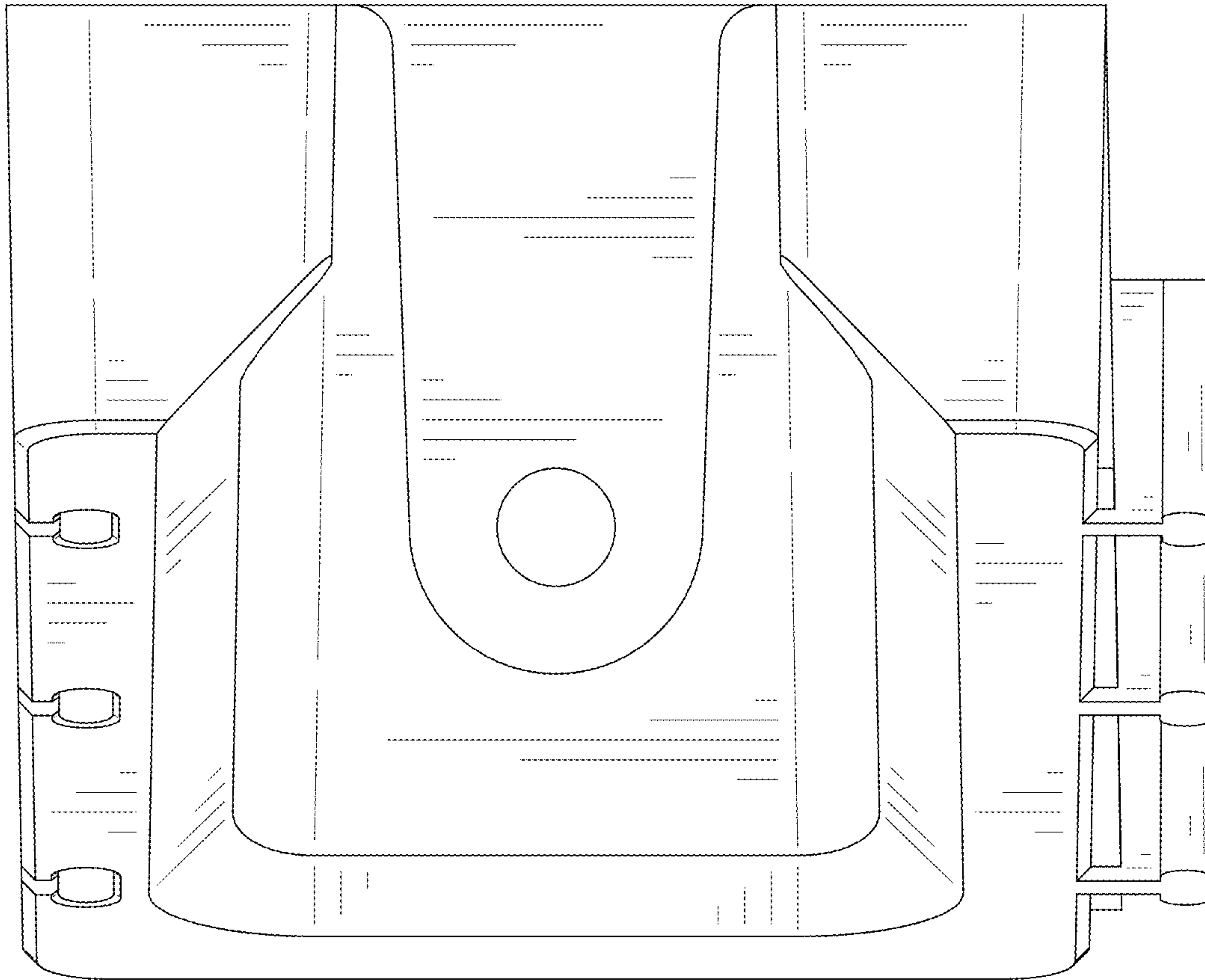


FIG. 7



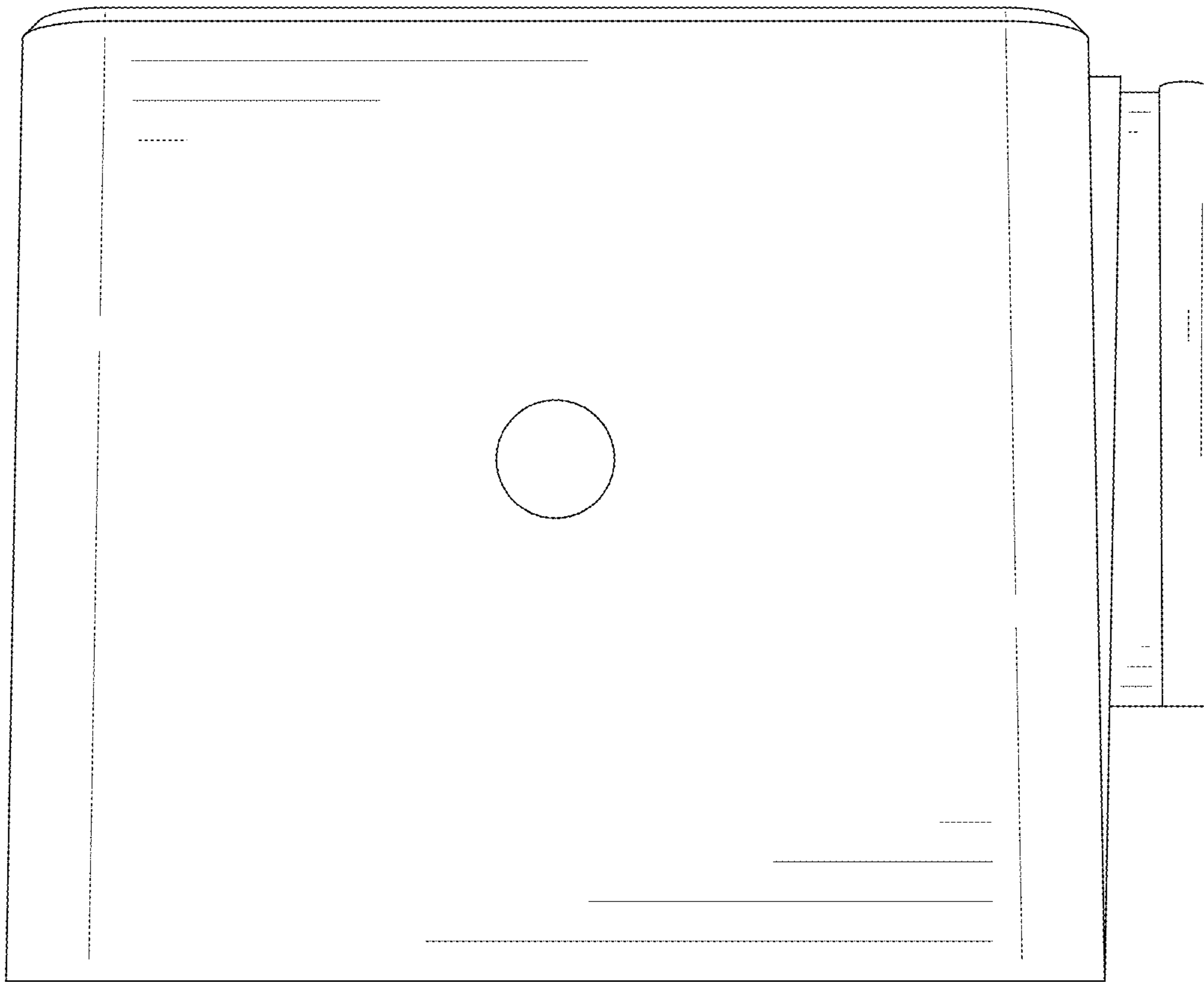


FIG. 8

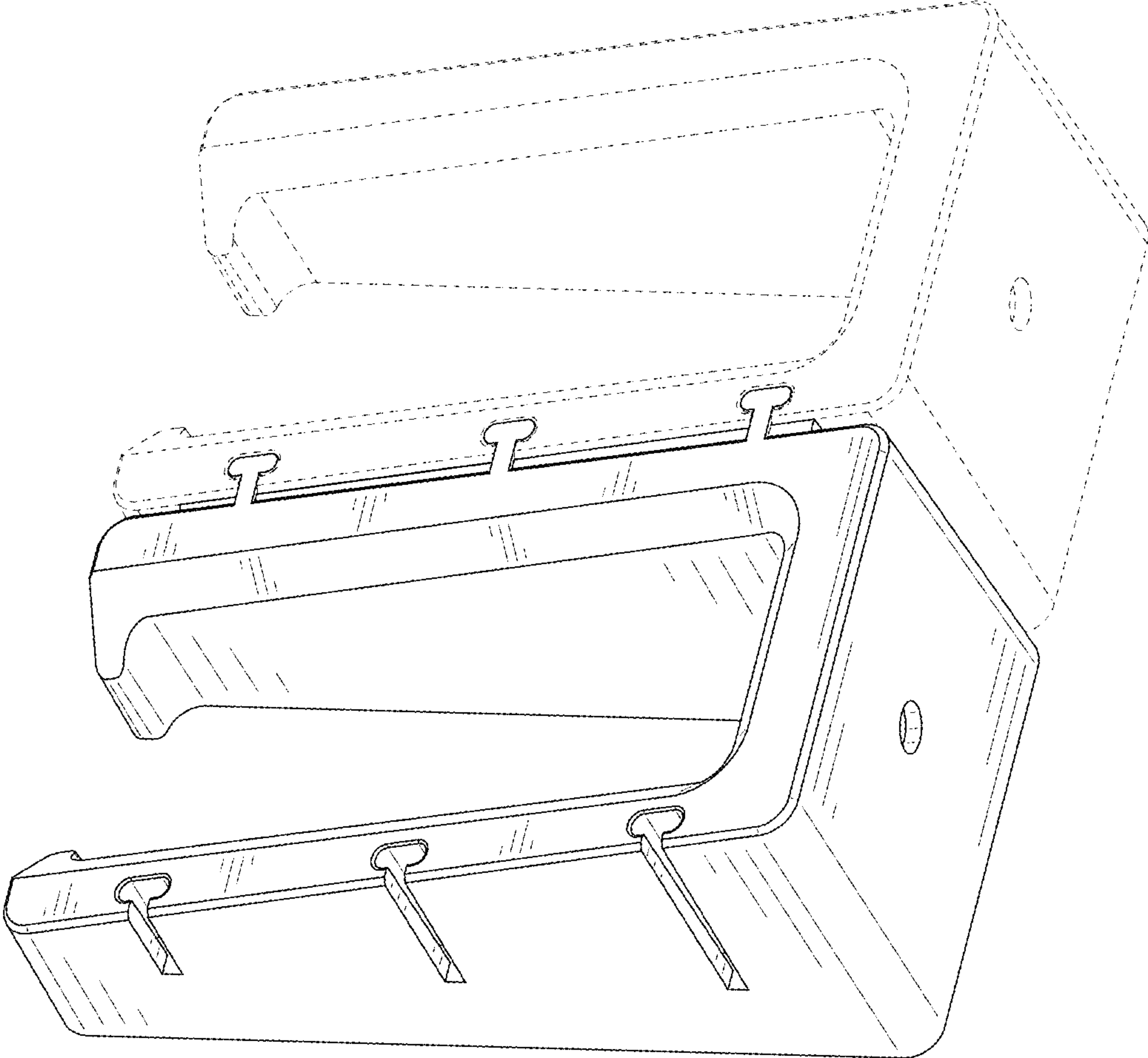


FIG. 9

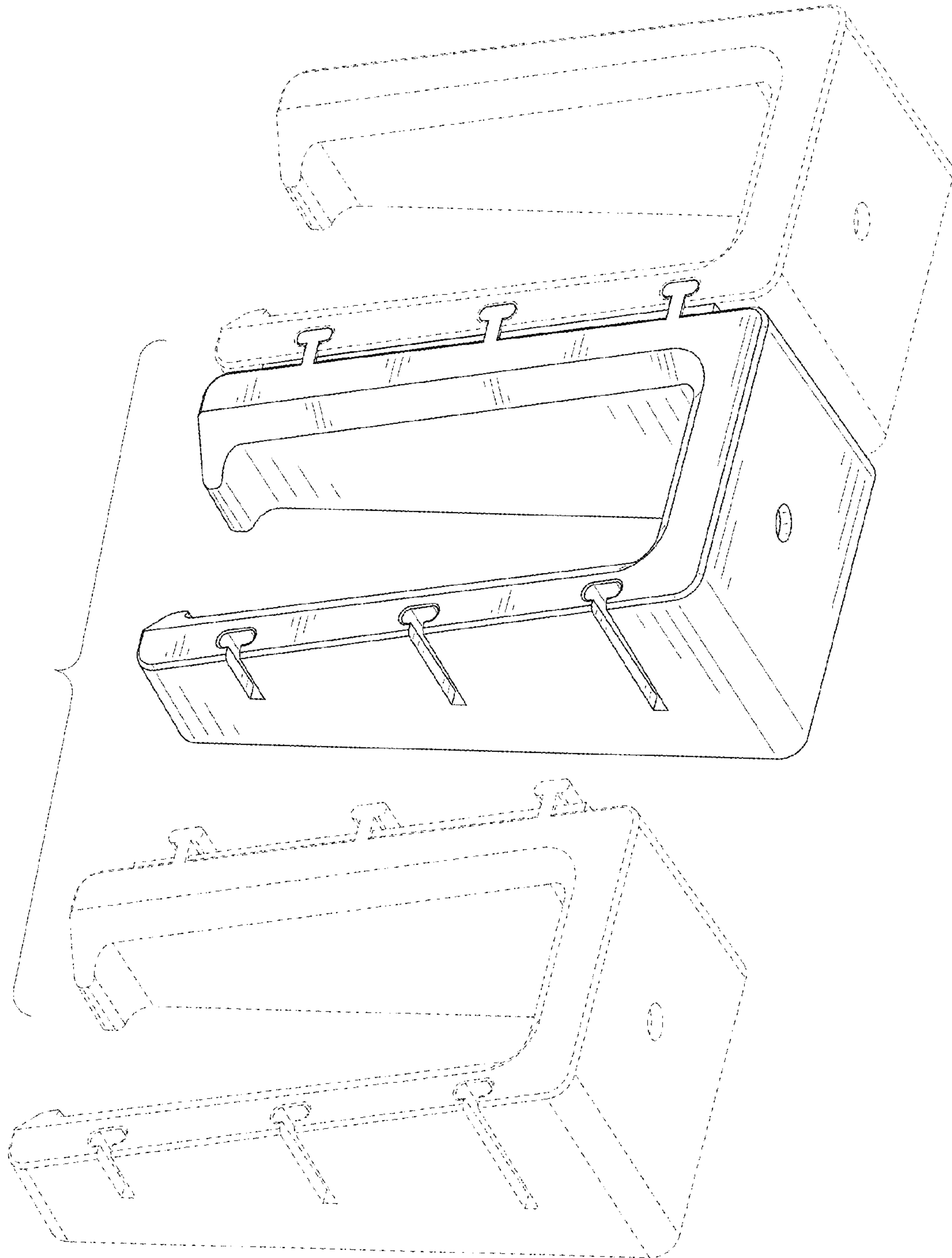


FIG. 10