



US00D940811S

(12) **United States Design Patent**
McPhee

(10) **Patent No.:** **US D940,811 S**
(45) **Date of Patent:** **** Jan. 11, 2022**

(54) **LATCH BODY**

(71) Applicant: **John Robert McPhee**, Raeford, NC
(US)

(72) Inventor: **John Robert McPhee**, Raeford, NC
(US)

(**) Term: **15 Years**

(21) Appl. No.: **29/733,372**

(22) Filed: **May 1, 2020**

(51) **LOC (13) Cl.** **22-01**

(52) **U.S. Cl.**
USPC **D22/108**; D11/218

(58) **Field of Classification Search**
USPC D22/108; D3/215, 221, 262, 327-328;
D11/86, 87, 94, 200, 201, 208-210,
D11/212-218, 220, 230-234, 237
CPC F41C 23/02; F41C 33/001; F41C 33/002;
F41C 33/007; F16B 2/005; F16B 2/10
See application file for complete search history.

(56) **References Cited**

U.S. PATENT DOCUMENTS

D317,810 S *	6/1991	Rightnour	D22/108
5,074,069 A *	12/1991	Shire	F41C 23/02
				42/85
D444,201 S *	6/2001	Norris, Sr.	D22/108
6,354,034 B1 *	3/2002	Norris, Sr.	F41C 23/02
				42/85
D455,191 S *	4/2002	Norris, Sr.	D22/108
D460,799 S *	7/2002	Norris	D22/108
6,536,154 B1 *	3/2003	Norris	A44B 11/006
				24/2.5
D632,954 S *	2/2011	Fitzpatrick	D8/395
D636,835 S *	4/2011	Fitzpatrick	D22/108
D636,836 S *	4/2011	Fitzpatrick	D22/108

D639,890 S *	6/2011	Troy, Jr.	D22/108
9,052,157 B1 *	6/2015	Montes	F41C 23/02
D813,972 S *	3/2018	Montes	D22/108
10,060,700 B2 *	8/2018	Gellert	F41C 33/002
10,209,031 B2 *	2/2019	Lance	F41C 23/02
10,219,589 B1 *	3/2019	Lin	F16G 15/06
D869,594 S *	12/2019	Lance	D22/108
10,527,388 B2 *	1/2020	Son	F16B 2/10
10,724,827 B2 *	7/2020	Brock	F41C 33/001
10,782,093 B2 *	9/2020	Dilling	F41C 33/002
11,054,213 B2 *	7/2021	Schaub	F41C 33/005
2013/0305582 A1 *	11/2013	Mayberry	F41C 33/006
				42/85
2016/0123374 A1 *	5/2016	Roberts	A45C 13/001
				294/215
2021/0341253 A1 *	11/2021	McPhee	F41C 23/02

* cited by examiner

Primary Examiner — Darlington Ly

(74) *Attorney, Agent, or Firm* — Eversheds Sutherland
(US) LLP

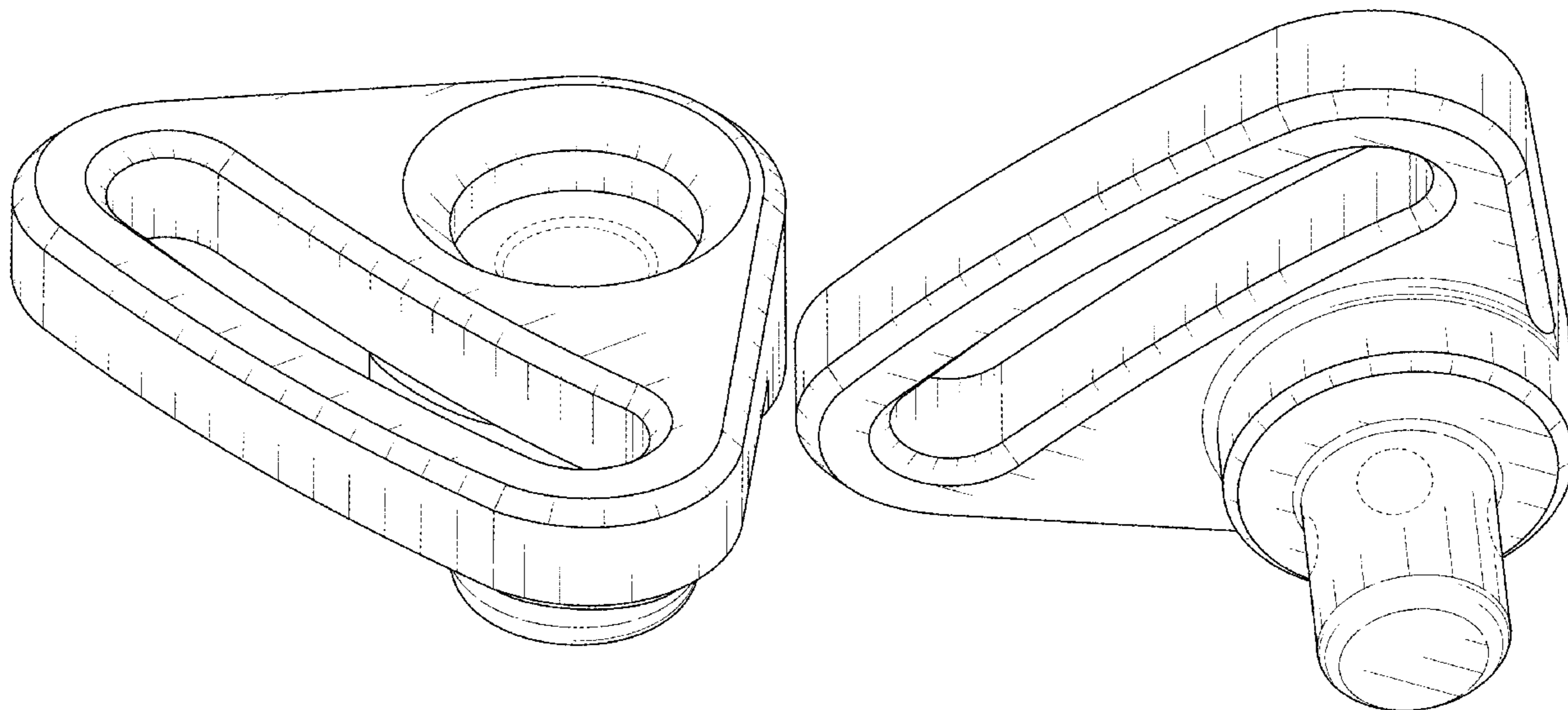
(57) **CLAIM**

The ornamental design for a latch body, as shown and described.

DESCRIPTION

FIG. 1 is a top perspective view of a latch body embodying my new design;
FIG. 2 is a bottom perspective view thereof;
FIG. 3 is a front elevation view thereof;
FIG. 4 is a rear elevation view thereof;
FIG. 5 is a right side elevation view thereof;
FIG. 6 is a left side elevation view thereof;
FIG. 7 is a top plan view thereof; and,
FIG. 8 is a bottom plan view thereof.
The broken lines in the drawings illustrate portions of the latch body that form no part of the claimed design.

1 Claim, 5 Drawing Sheets



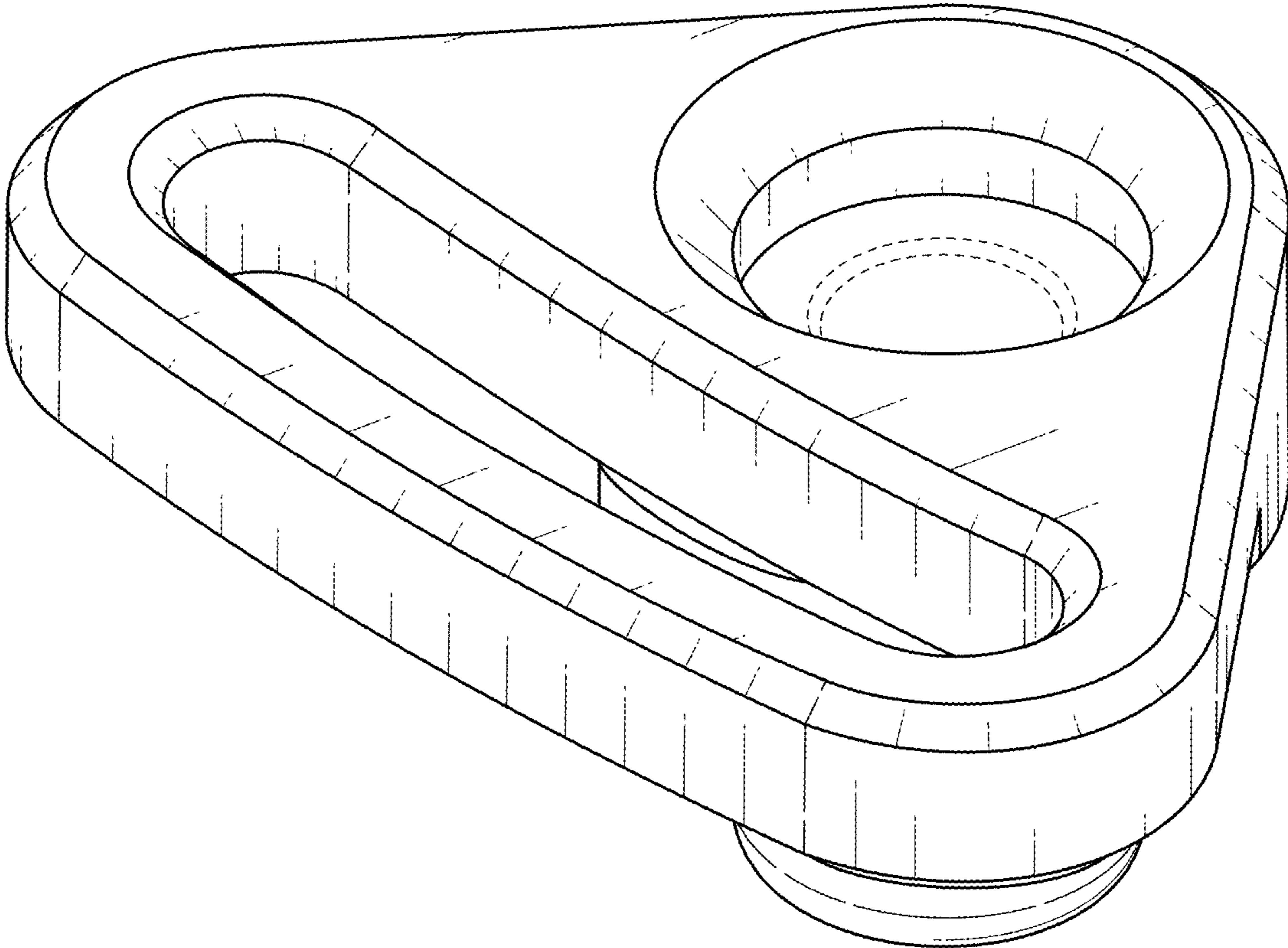


FIG. 1

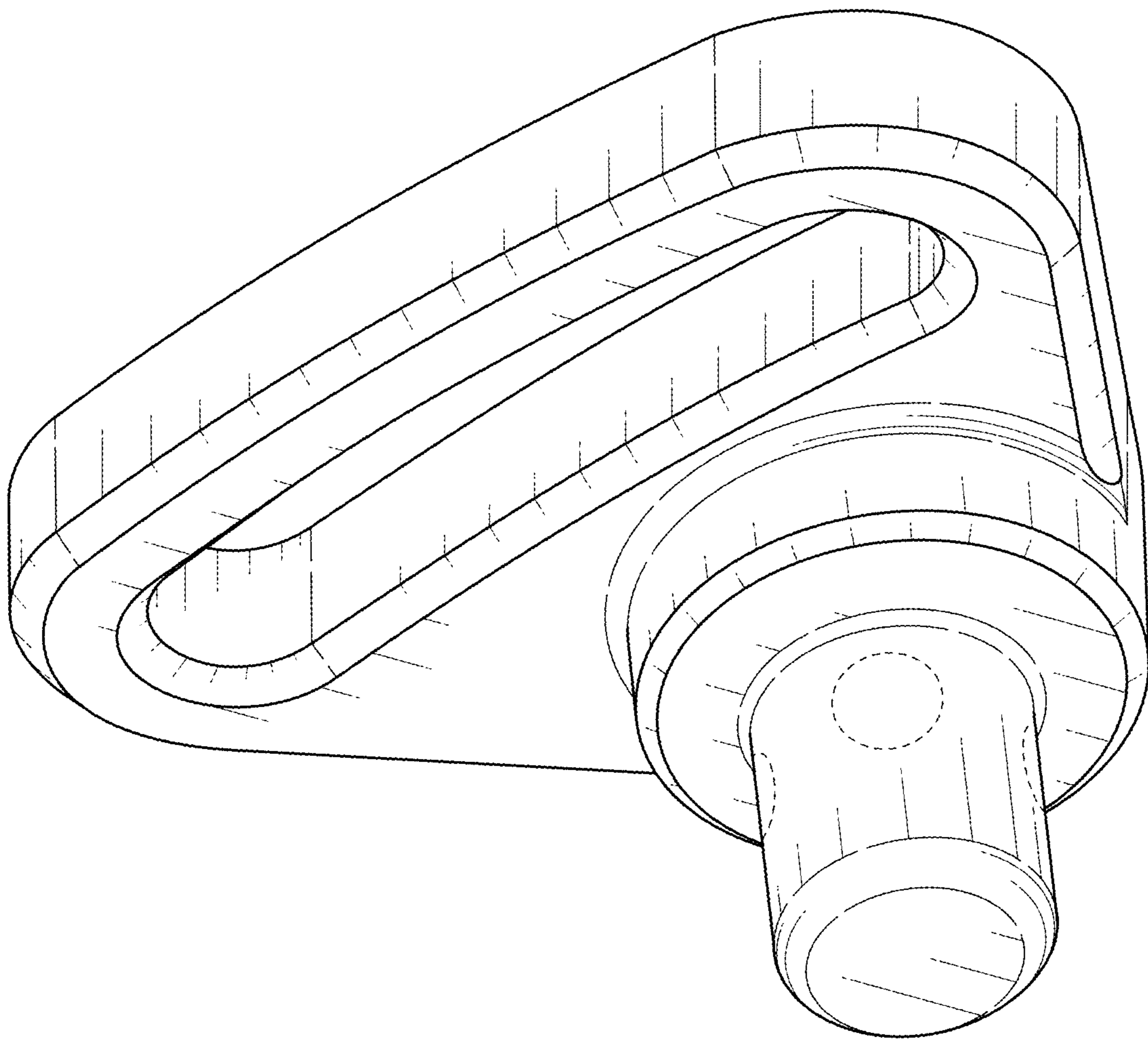


FIG. 2

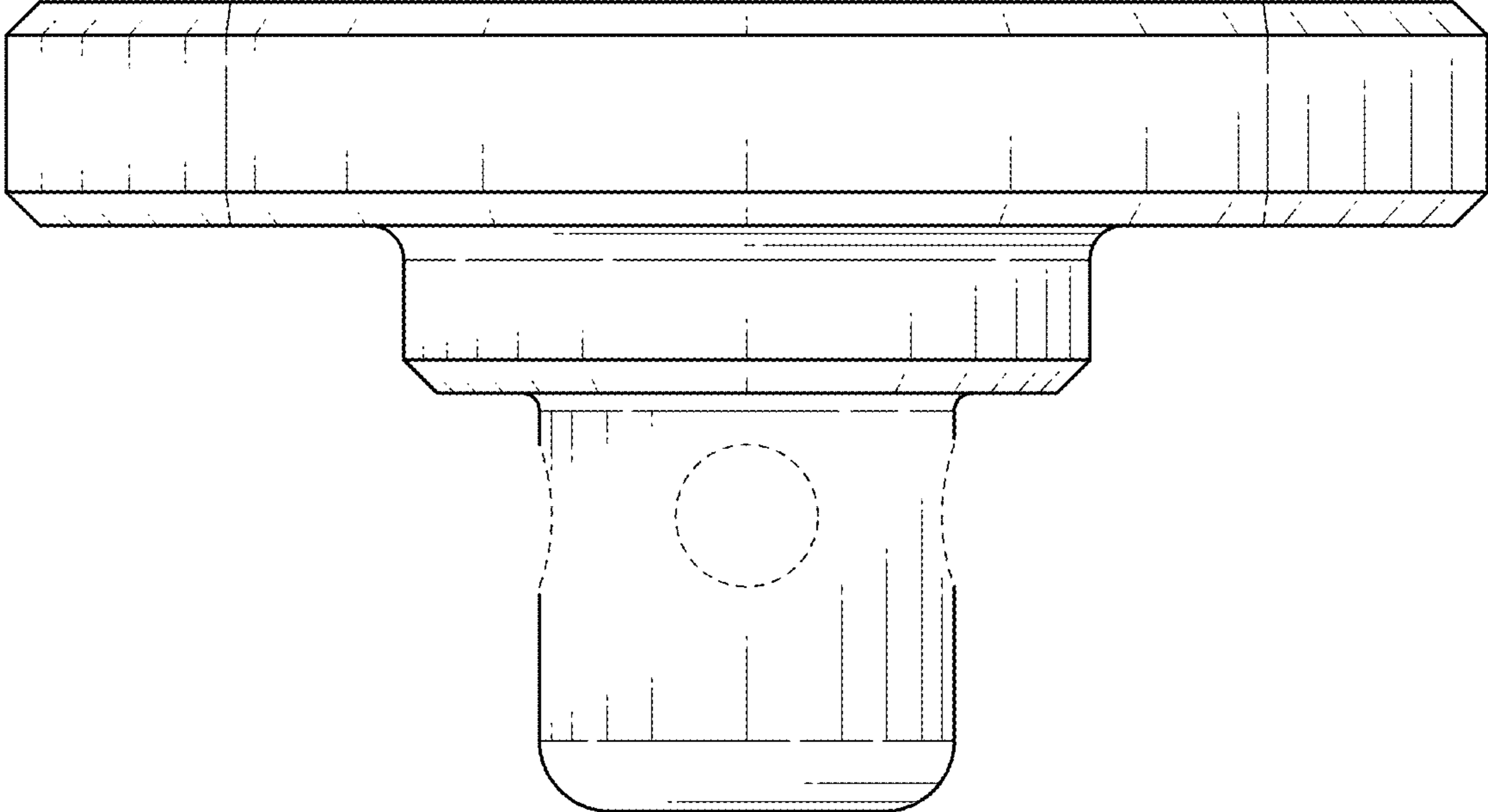


FIG. 3

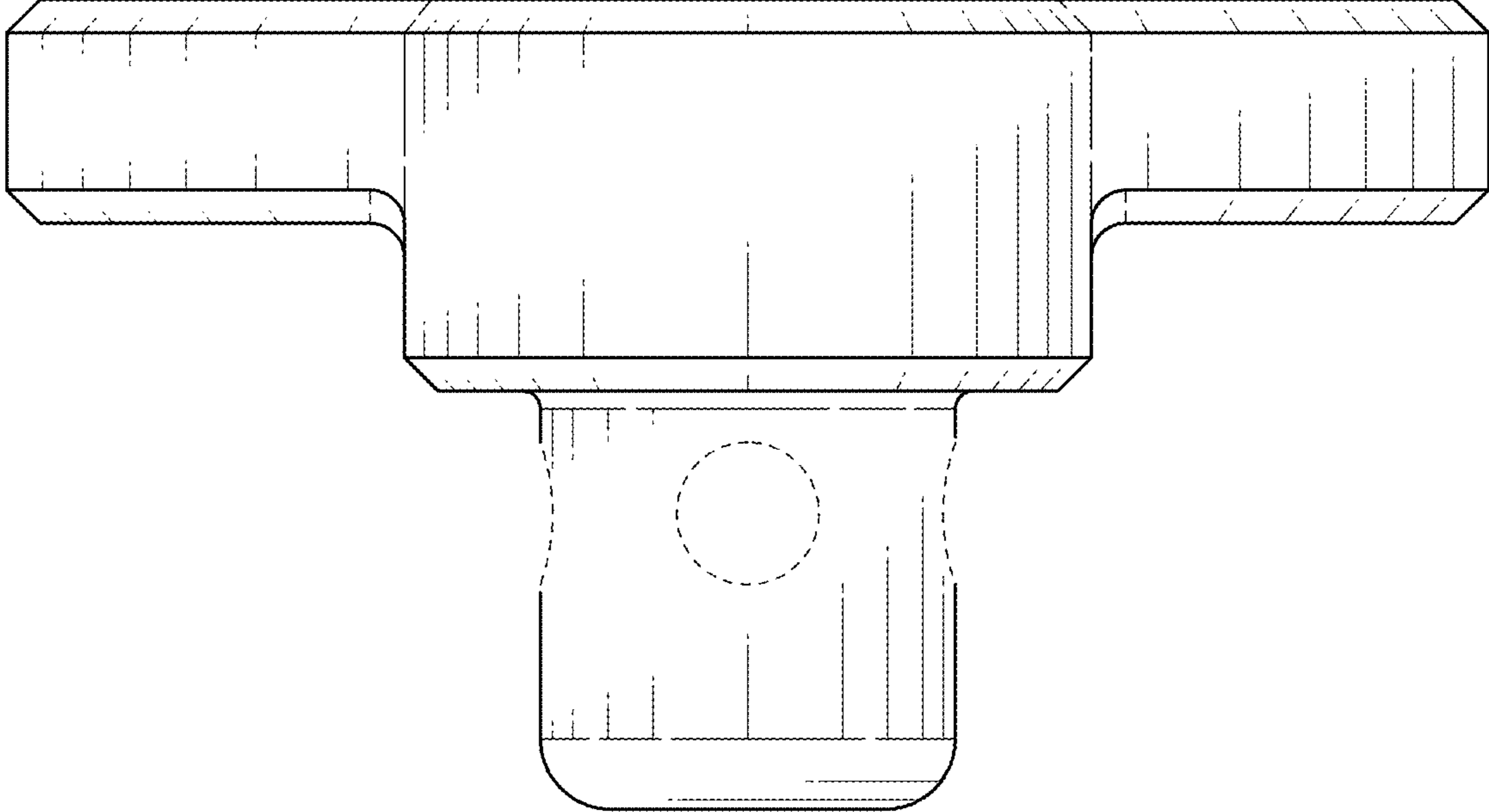


FIG. 4

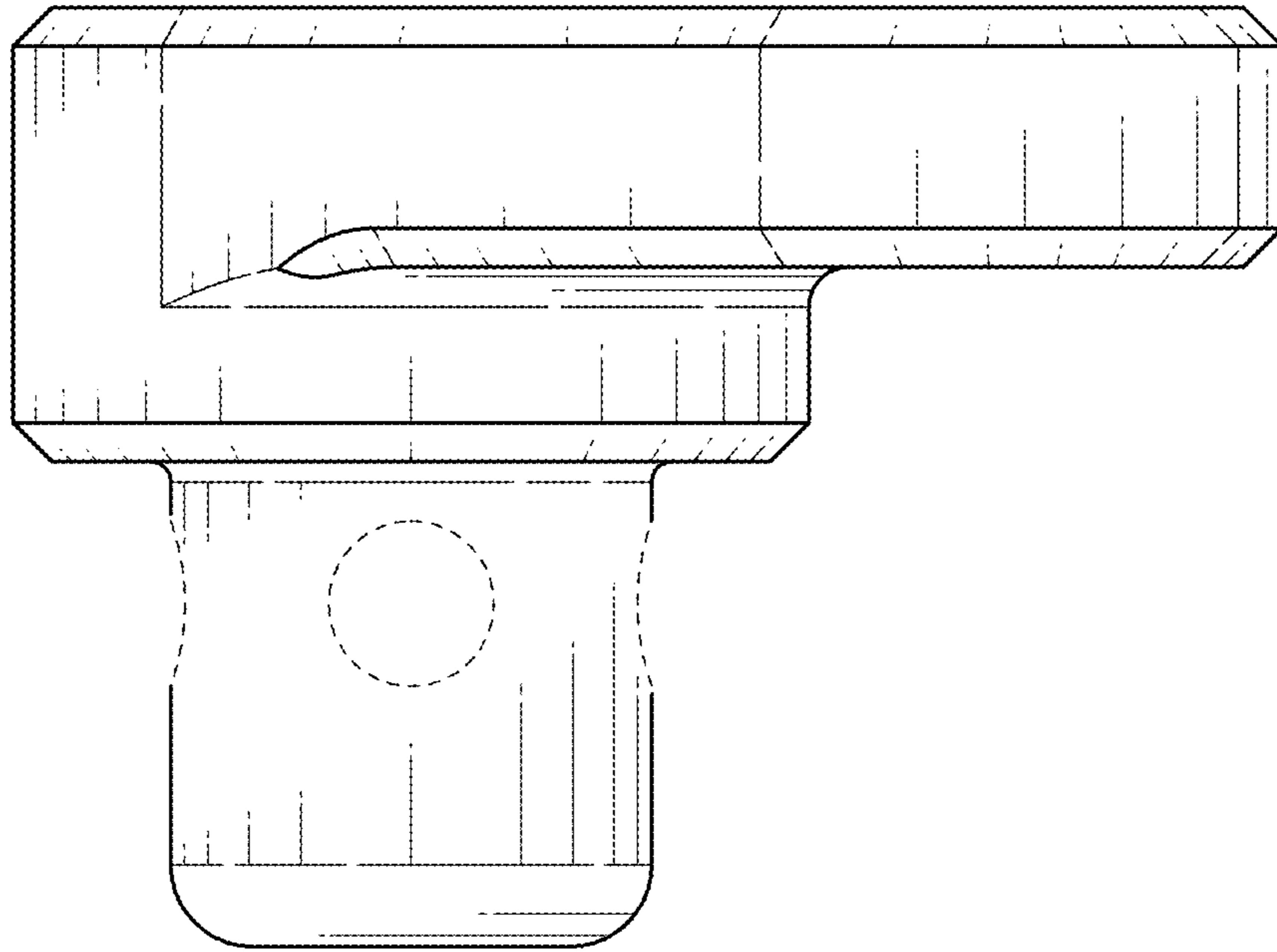


FIG. 5

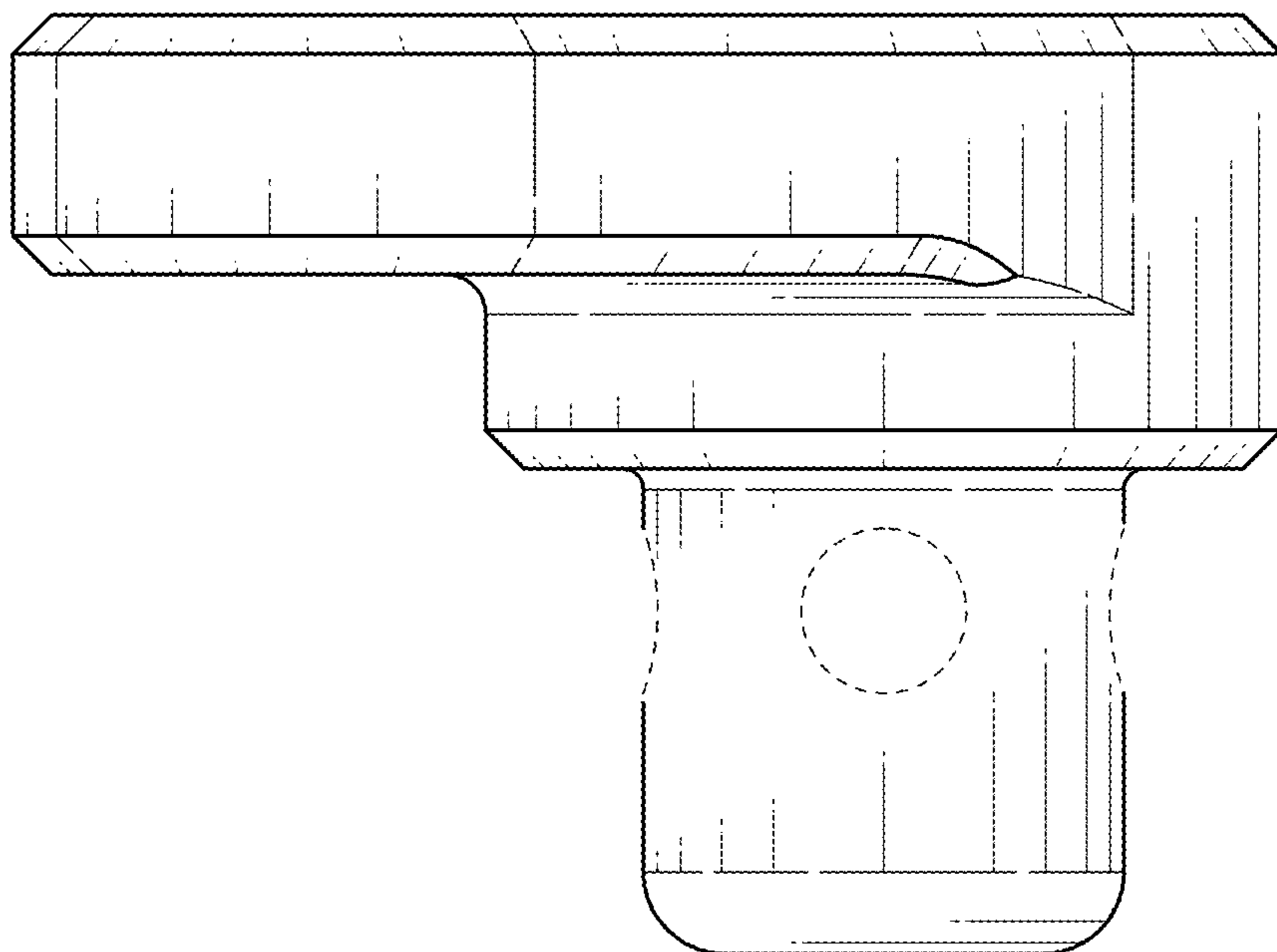


FIG. 6

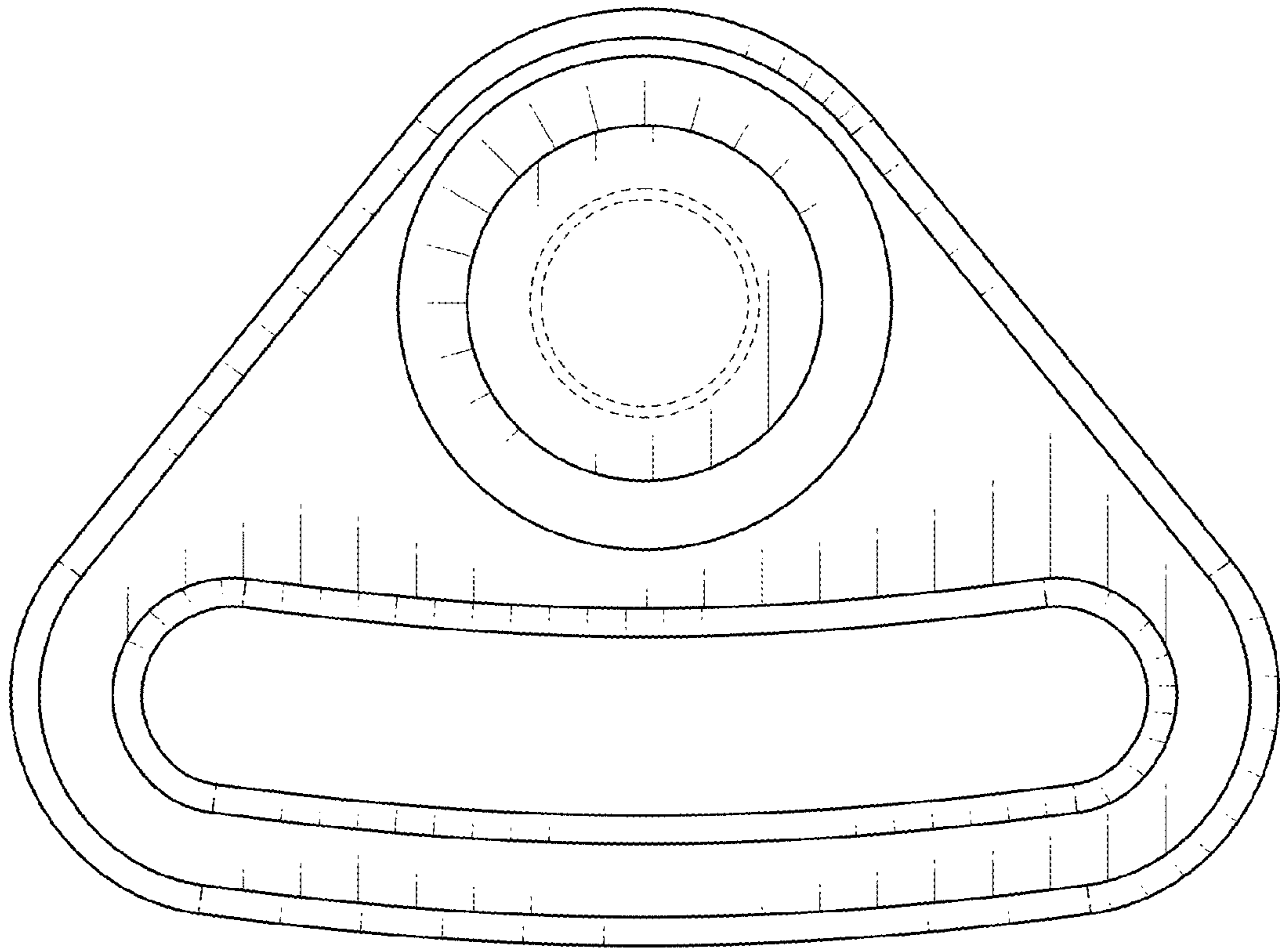


FIG. 7

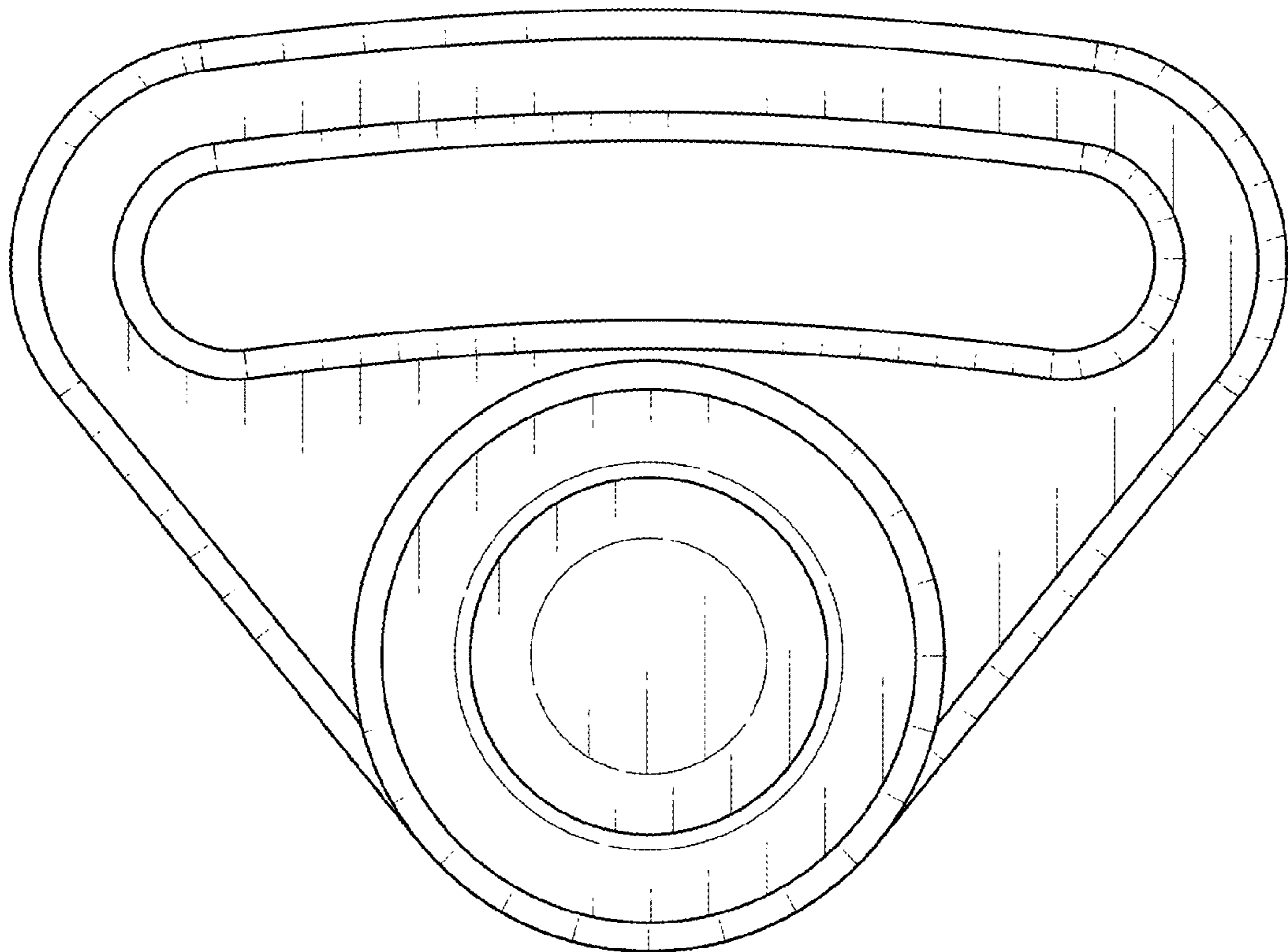


FIG. 8