



US00D940810S

(12) **United States Design Patent**  
**Qin**

(10) **Patent No.:** **US D940,810 S**

(45) **Date of Patent:** **\*\* Jan. 11, 2022**

(54) **TENT**

(71) Applicant: **HANGZHOU RUSHI INDUSTRIAL DESIGN CO., LTD.**, Hangzhou (CN)

(72) Inventor: **Yi Qin**, Hangzhou (CN)

(73) Assignee: **HANGZHOU RUSHI INDUSTRIAL DESIGN CO., LTD.**, Hangzhou (CN)

(\*\*) Term: **15 Years**

(21) Appl. No.: **29/743,923**

(22) Filed: **Jul. 24, 2020**

(30) **Foreign Application Priority Data**

Mar. 30, 2020 (CN) ..... 202030116955.X

(51) **LOC (13) Cl.** ..... **21-04**

(52) **U.S. Cl.**  
USPC ..... **D21/834**

(58) **Field of Classification Search**  
USPC ..... D21/834-838  
CPC ..... E04H 15/00; E04H 15/02; E04H 15/18;  
E04H 15/28; E04H 15/32; E04H 15/34;  
E04H 15/40; E04H 15/42; E04H 15/425;  
E04H 15/50

See application file for complete search history.

(56) **References Cited**

**U.S. PATENT DOCUMENTS**

D652,886 S *	1/2012	Pedersen	.....	D21/834
D687,116 S *	7/2013	Jin	.....	D21/834
D695,375 S *	12/2013	Jin	.....	D21/834
D696,373 S *	12/2013	Jin	.....	D21/834
D702,791 S *	4/2014	Jin	.....	D21/834
D705,884 S *	5/2014	Jin	.....	D21/834
D718,828 S *	12/2014	Jin	.....	D21/834
D725,211 S *	3/2015	Lah	.....	D21/834
D727,451 S *	4/2015	Schofield	.....	D21/834
D831,773 S *	10/2018	Huang	.....	D21/834

D879,231 S *	3/2020	Zhu	.....	D21/834
D910,138 S *	2/2021	Chen	.....	D21/837
D910,795 S *	2/2021	Zhu	.....	D21/834
D921,147 S *	6/2021	Brensinger	.....	D21/834
D921,811 S *	6/2021	Cheng	.....	D21/834

(Continued)

**OTHER PUBLICATIONS**

CAMPPAL Professional 3-4 Person 4 Season Mountain Tent, Jan. 11, 2018, Amazon.com, Aug. 26, 2021.URL: <https://www.amazon.com/dp/B078Y9SCDJ> (Year: 2018).\*

(Continued)

*Primary Examiner* — Jack Reickel

*Assistant Examiner* — Keith J Wilson

(74) *Attorney, Agent, or Firm* — Jiwen Chen; Jacobson Holman PLLC

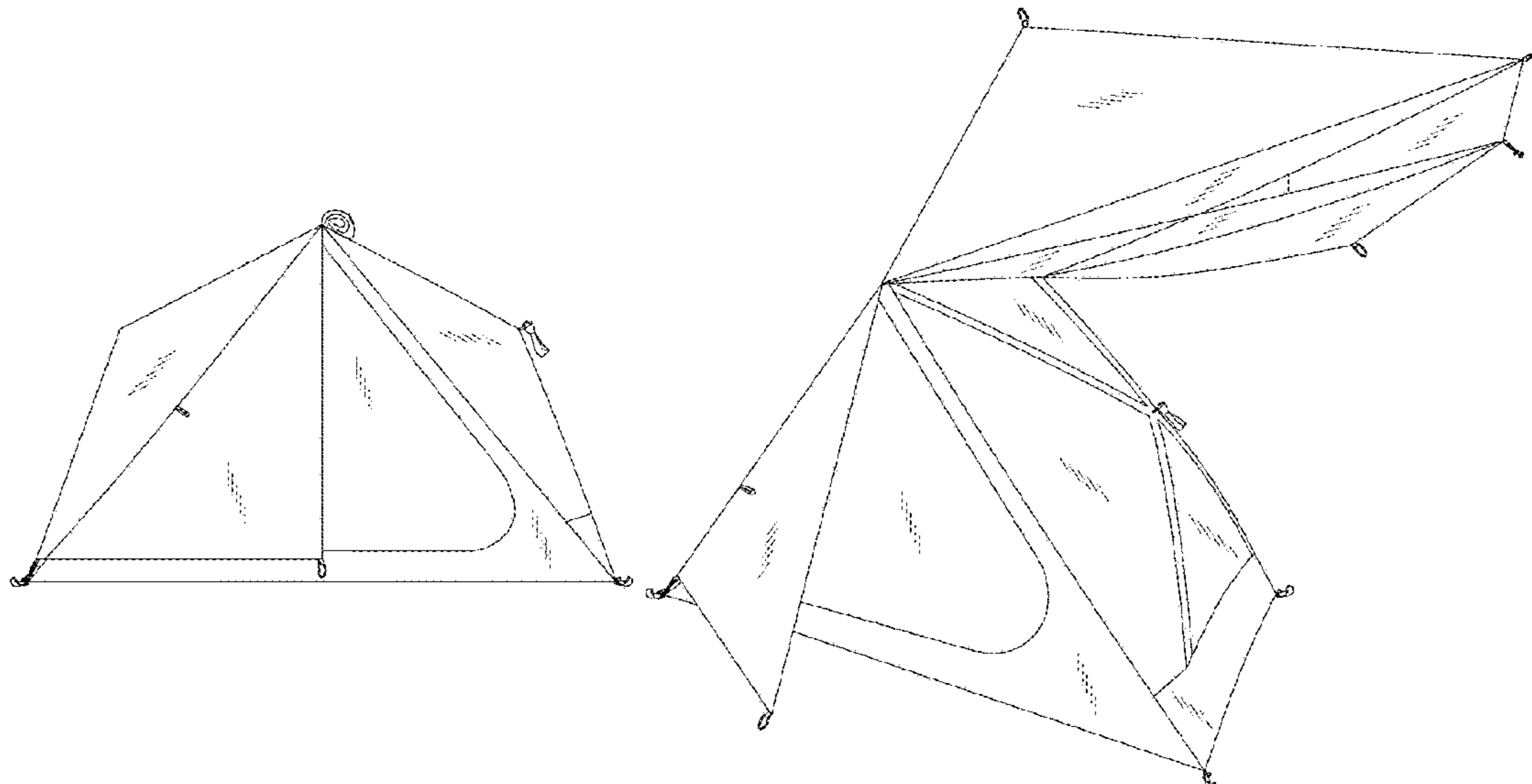
(57) **CLAIM**

The ornamental design for a tent, as shown and described.

**DESCRIPTION**

FIG. 1 is a front elevational view of the tent showing the design, wherein the tent is set up;  
 FIG. 2 is a rear elevational view thereof;  
 FIG. 3 is a left side view thereof;  
 FIG. 4 is a right side view thereof;  
 FIG. 5 is a top plan view thereof;  
 FIG. 6 is a bottom plan view thereof;  
 FIG. 7 is a perspective view thereof;  
 FIG. 8 is a perspective view thereof where the tent is in a first changed state;  
 FIG. 9 is a perspective view thereof where the tent is in a second changed state;  
 FIG. 10 is a perspective view thereof where the tent is in a third changed state; and,  
 FIG. 11 is a perspective view thereof where the tent is in a fourth changed state.

**1 Claim, 9 Drawing Sheets**



(56)

**References Cited**

U.S. PATENT DOCUMENTS

D925,686 S \* 7/2021 Guo ..... D21/834  
D926,908 S \* 8/2021 Wright ..... D21/834  
D928,899 S \* 8/2021 Zhu ..... D21/837

OTHER PUBLICATIONS

Winterial 6-7 Person Teepee Tent—12'×12' Family 4 Season Camping Tent, Mar. 15, 2017, Amazon.com, Aug. 25, 2021.URL: <https://www.amazon.com/Winterial-Camping-Festivals-Rain-Cap-Stabilizer/dp/B01MAXZDU6> (Year: 2017).\*

KAZOO Family Camping Tent Large Waterproof Tipi Tents, Jan. 25, 2021, Amazon.com, Aug. 26, 2021.URL: <https://www.amazon.com/dp/B08P6X3CT4> (Year: 2021).\*

OneTigris TIPINOVA Backpacking Tent, Nov. 14, 2018, Amazon.com, Aug. 26, 2021.URL: <https://www.amazon.com/OneTigris-TIPINOVA-Camping-Lightweight-Backpacking/dp/B07NRXLHGS> (Year: 2018).\*

\* cited by examiner

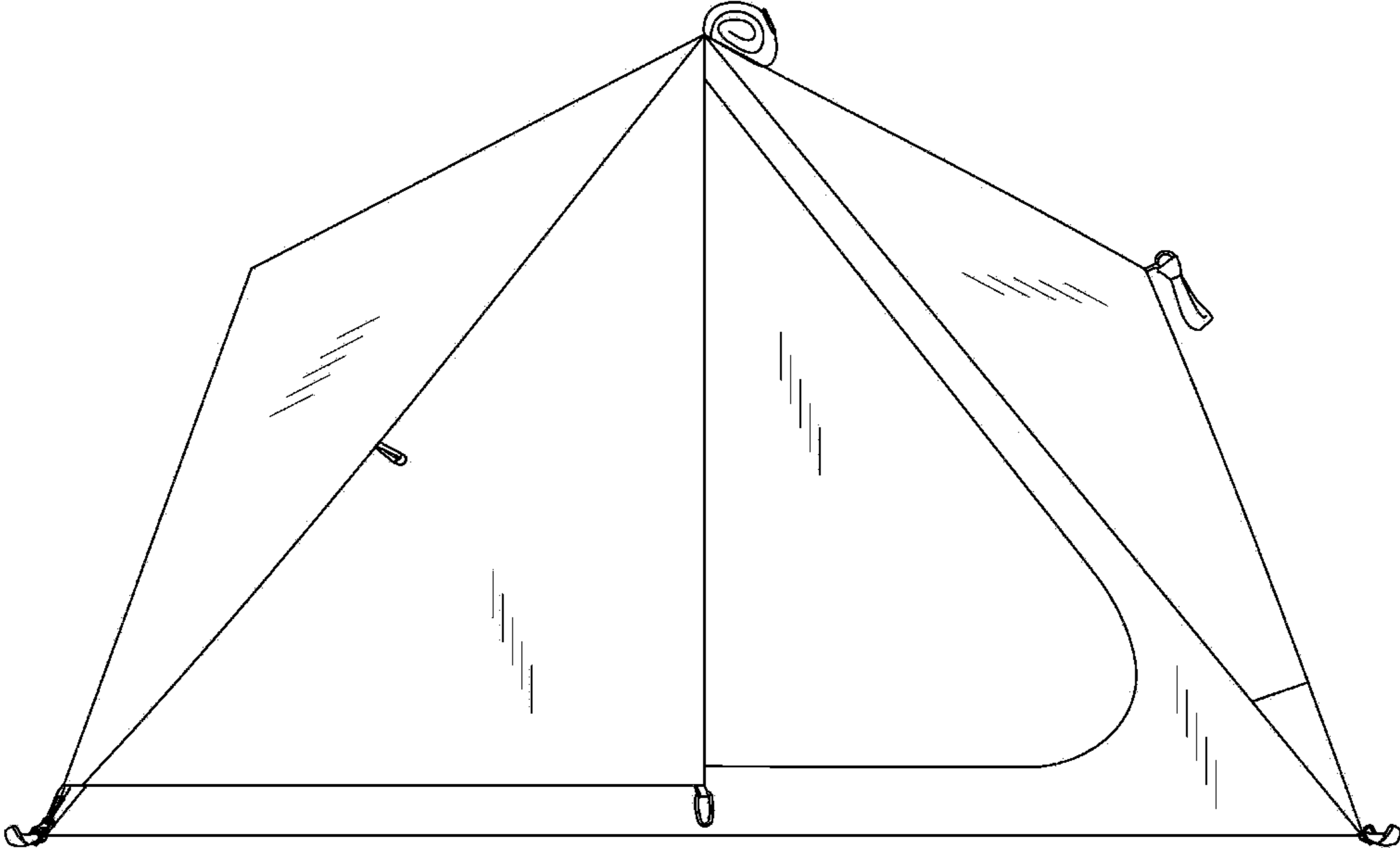


FIG. 1

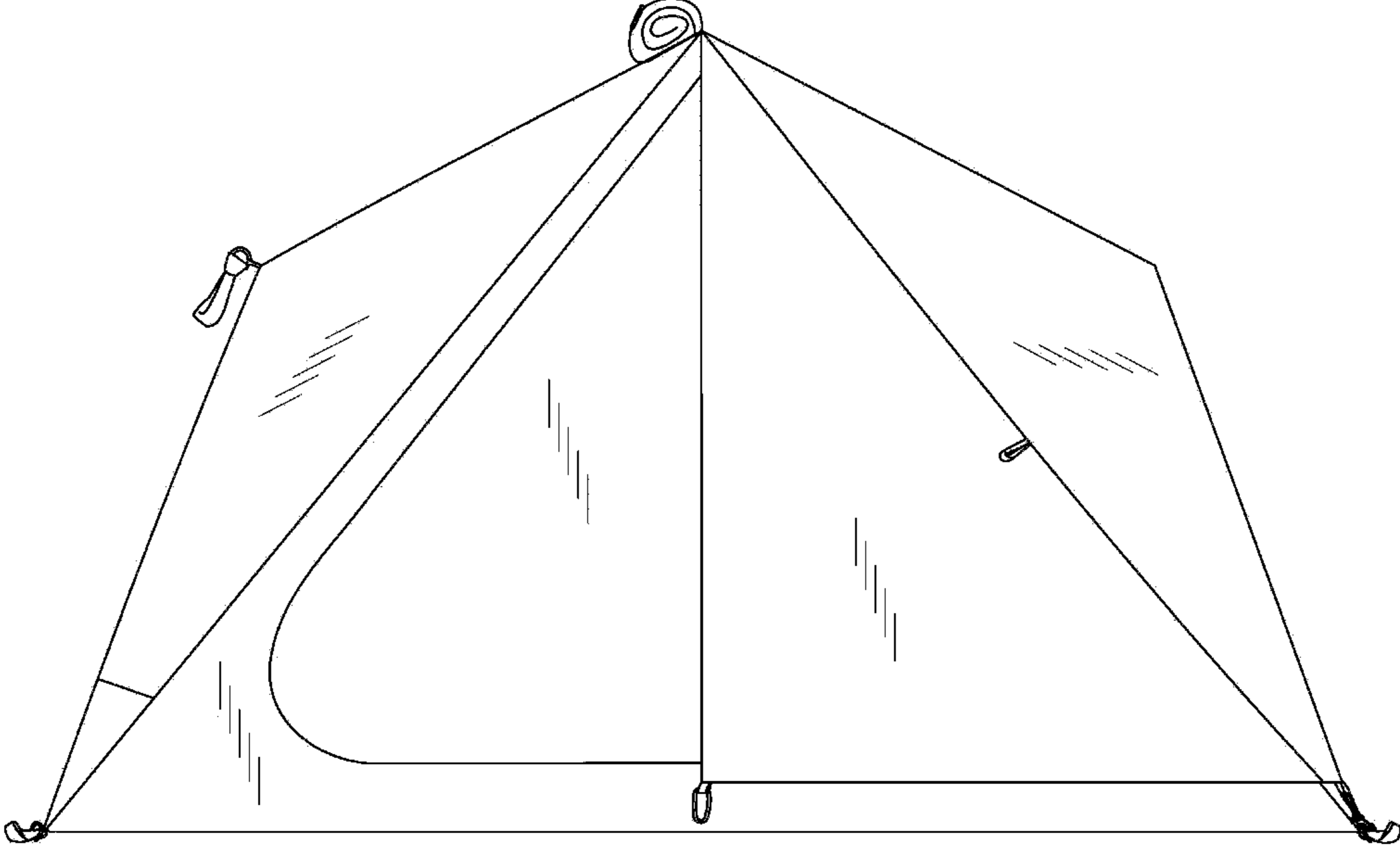


FIG. 2

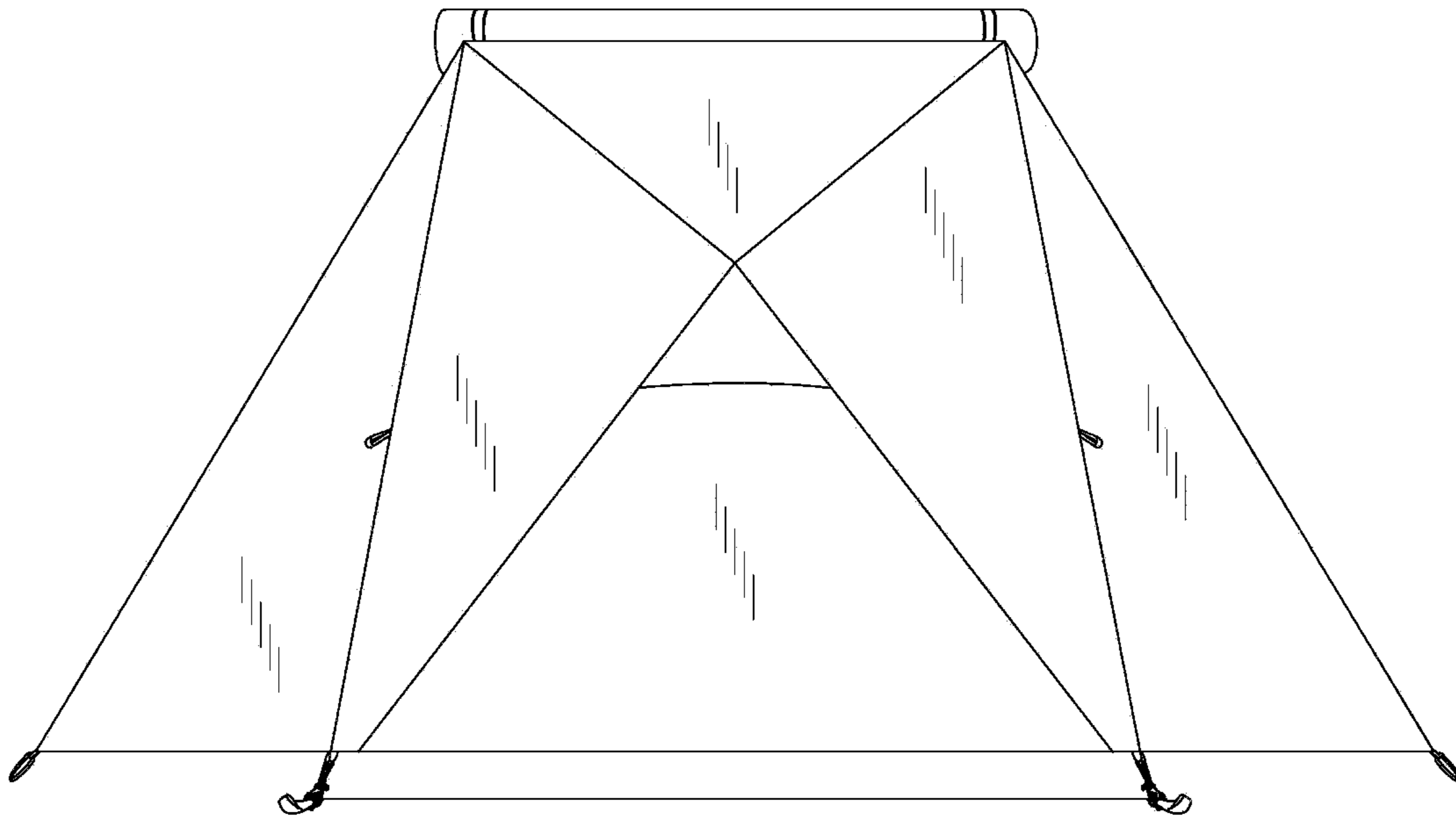


FIG. 3

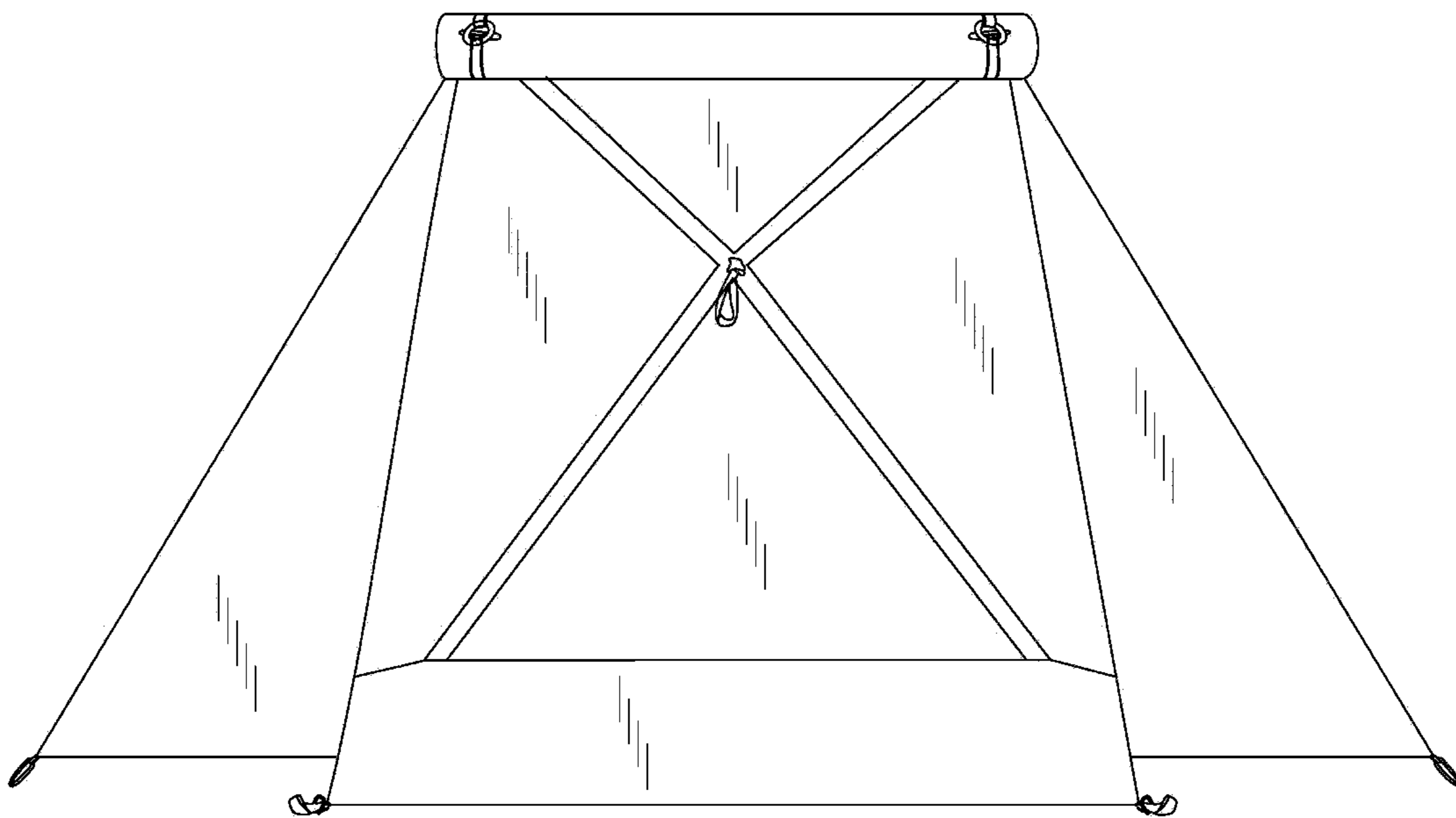


FIG. 4

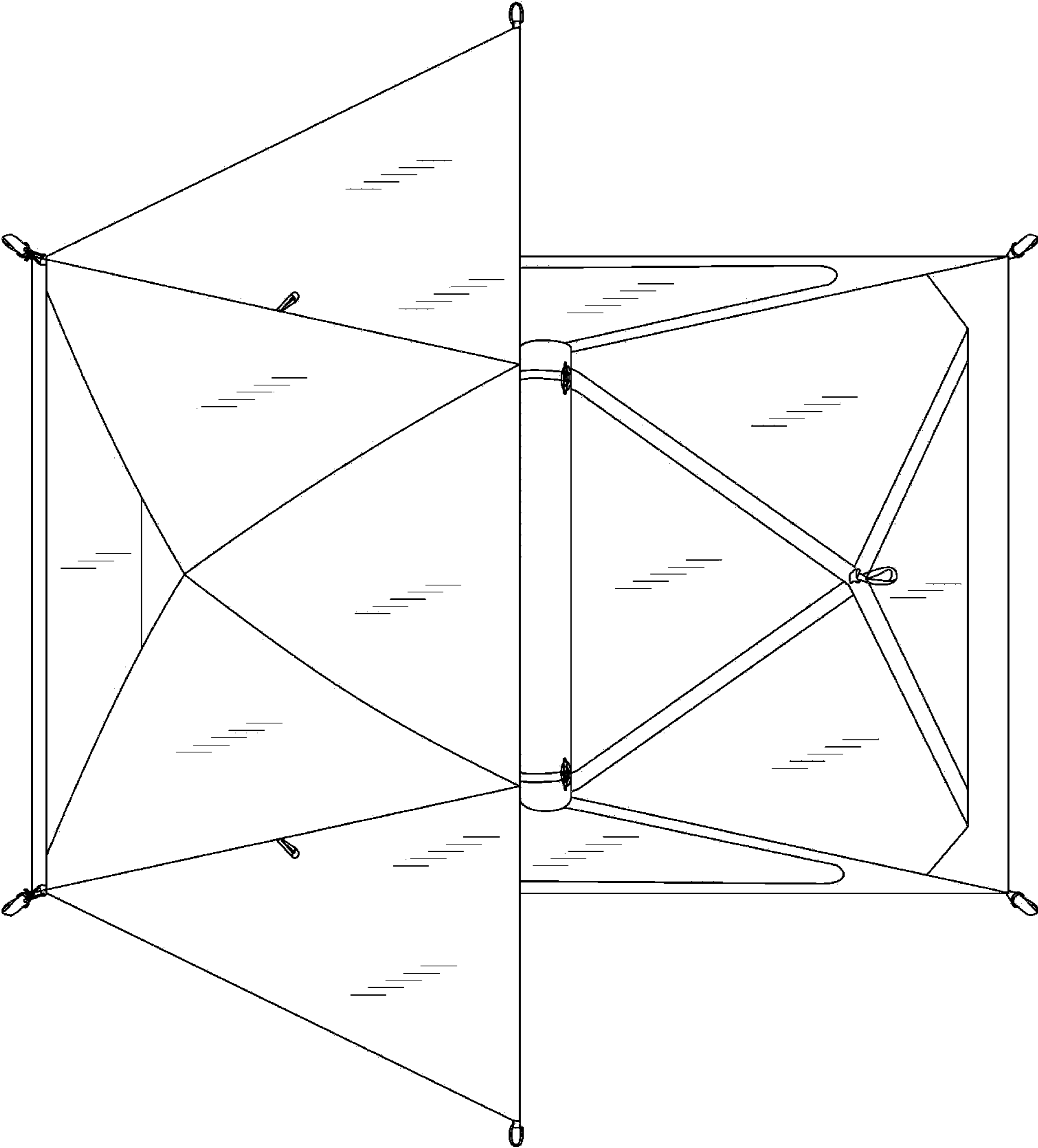


FIG. 5

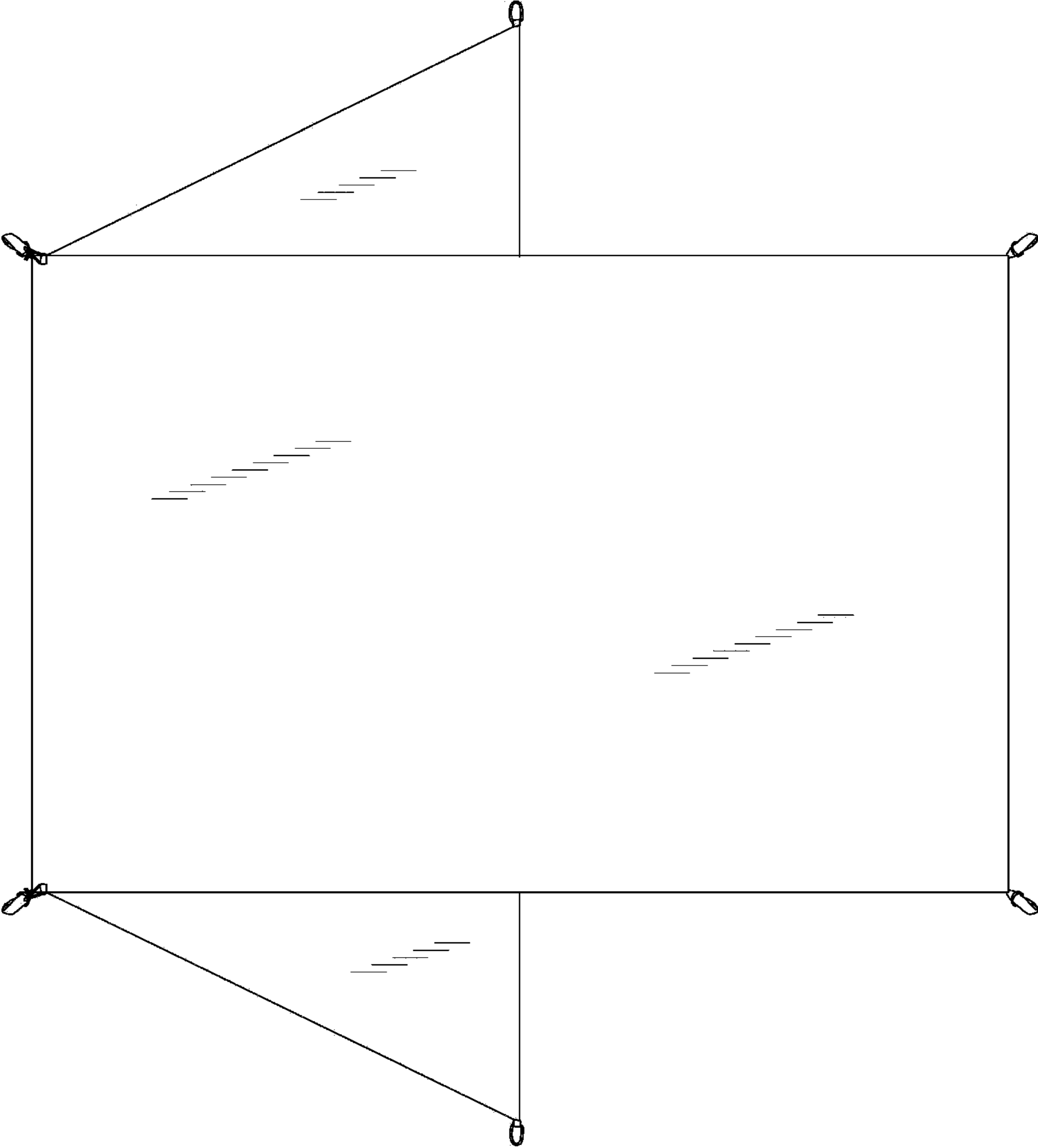


FIG. 6

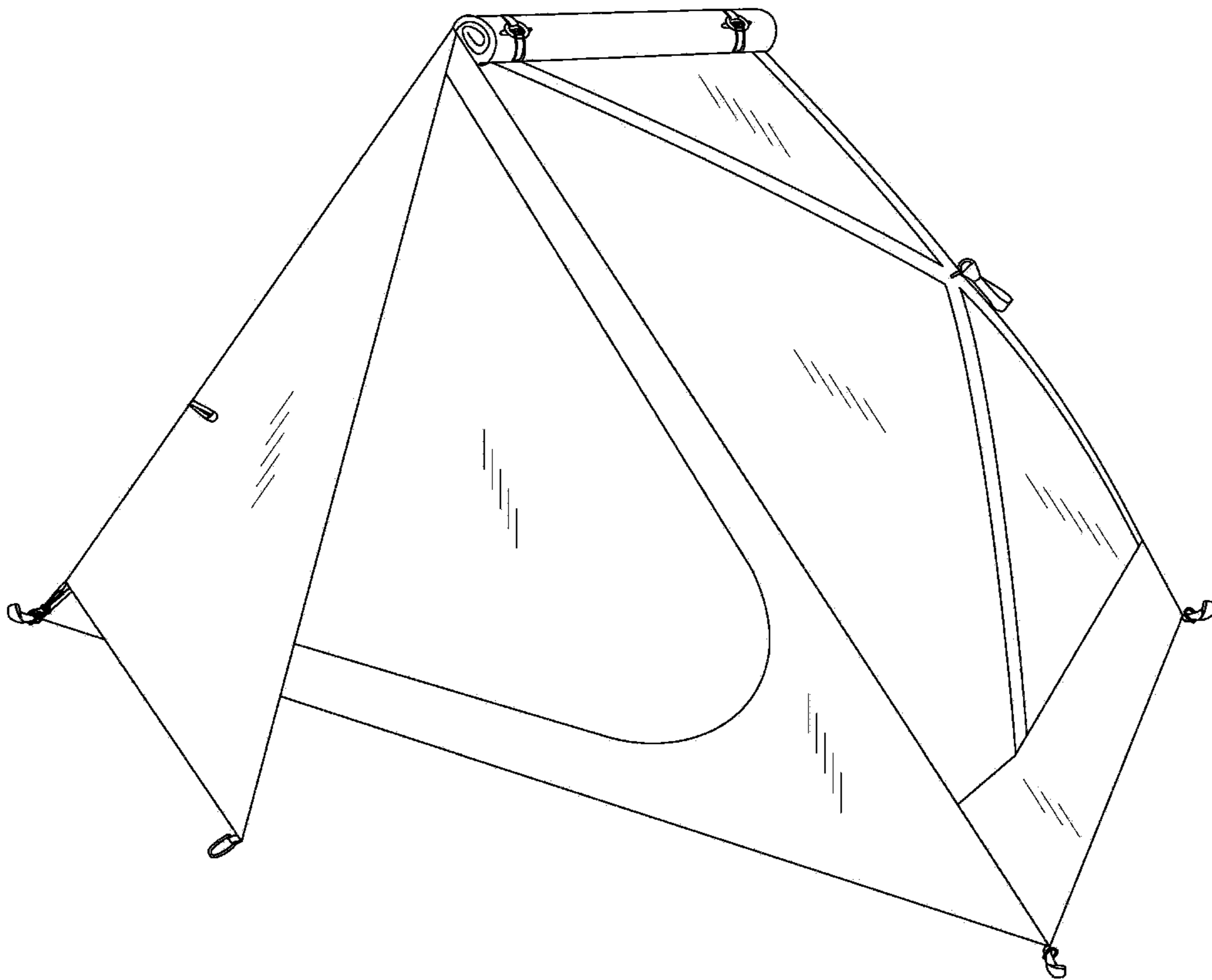


FIG. 7

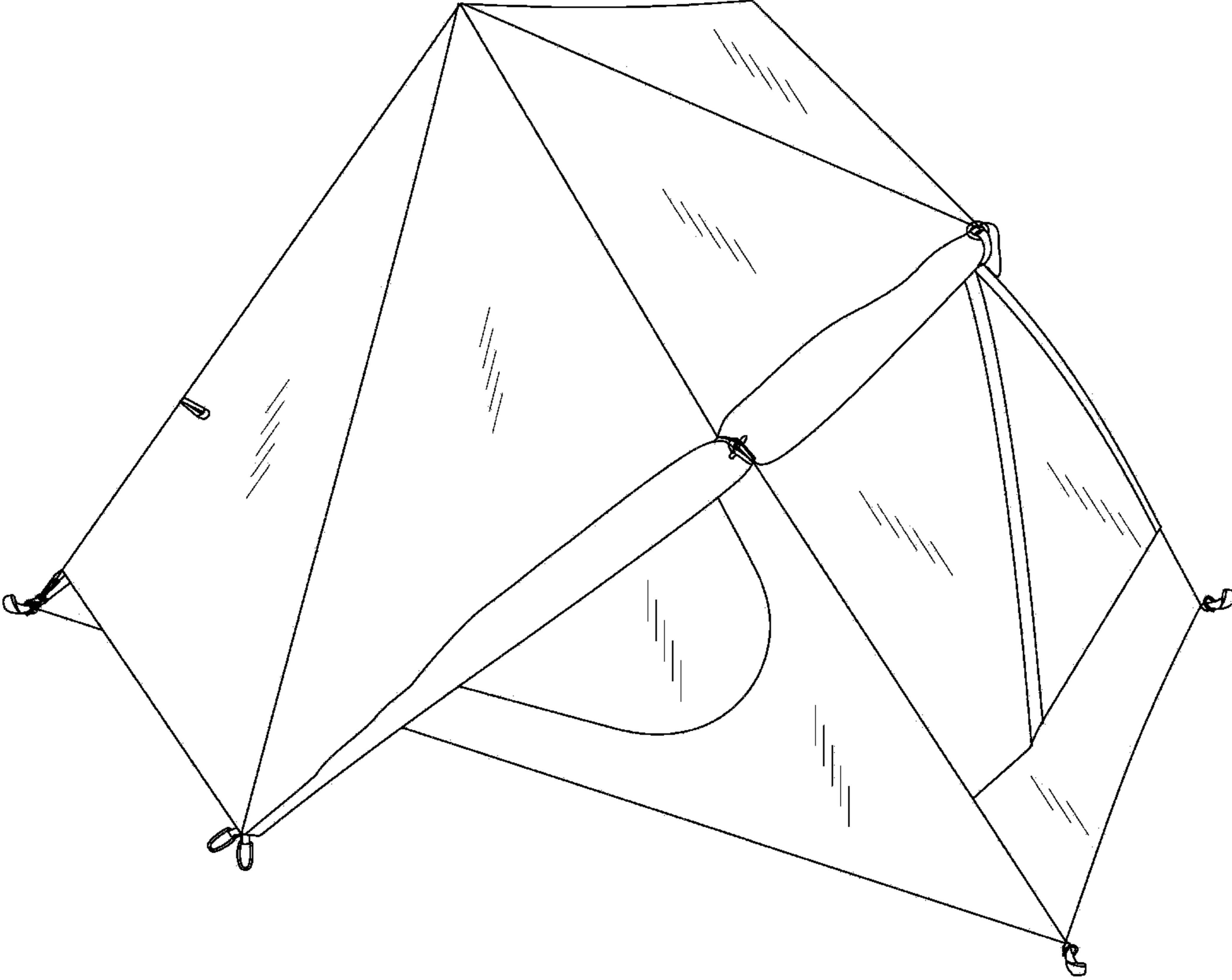


FIG. 8



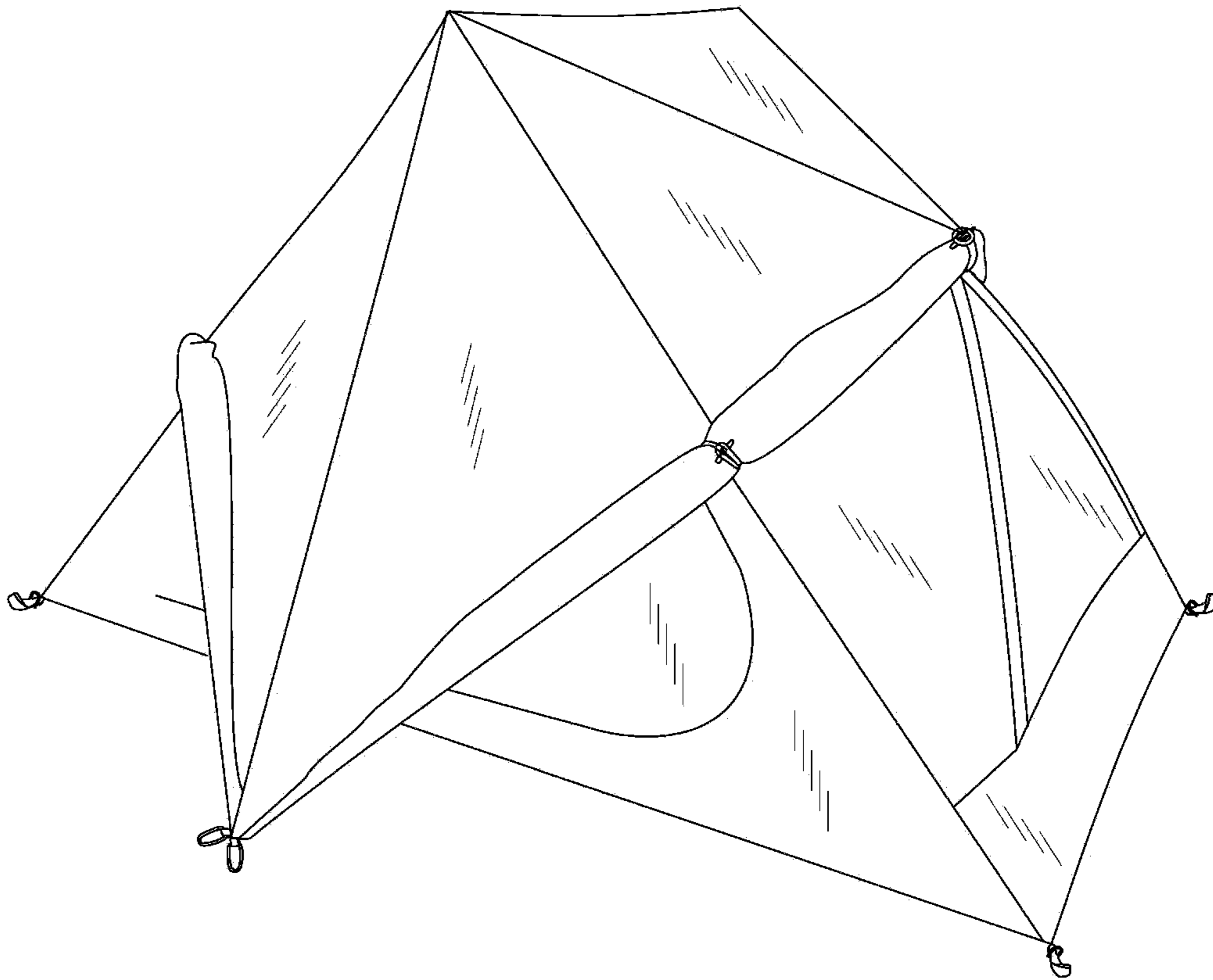


FIG. 9

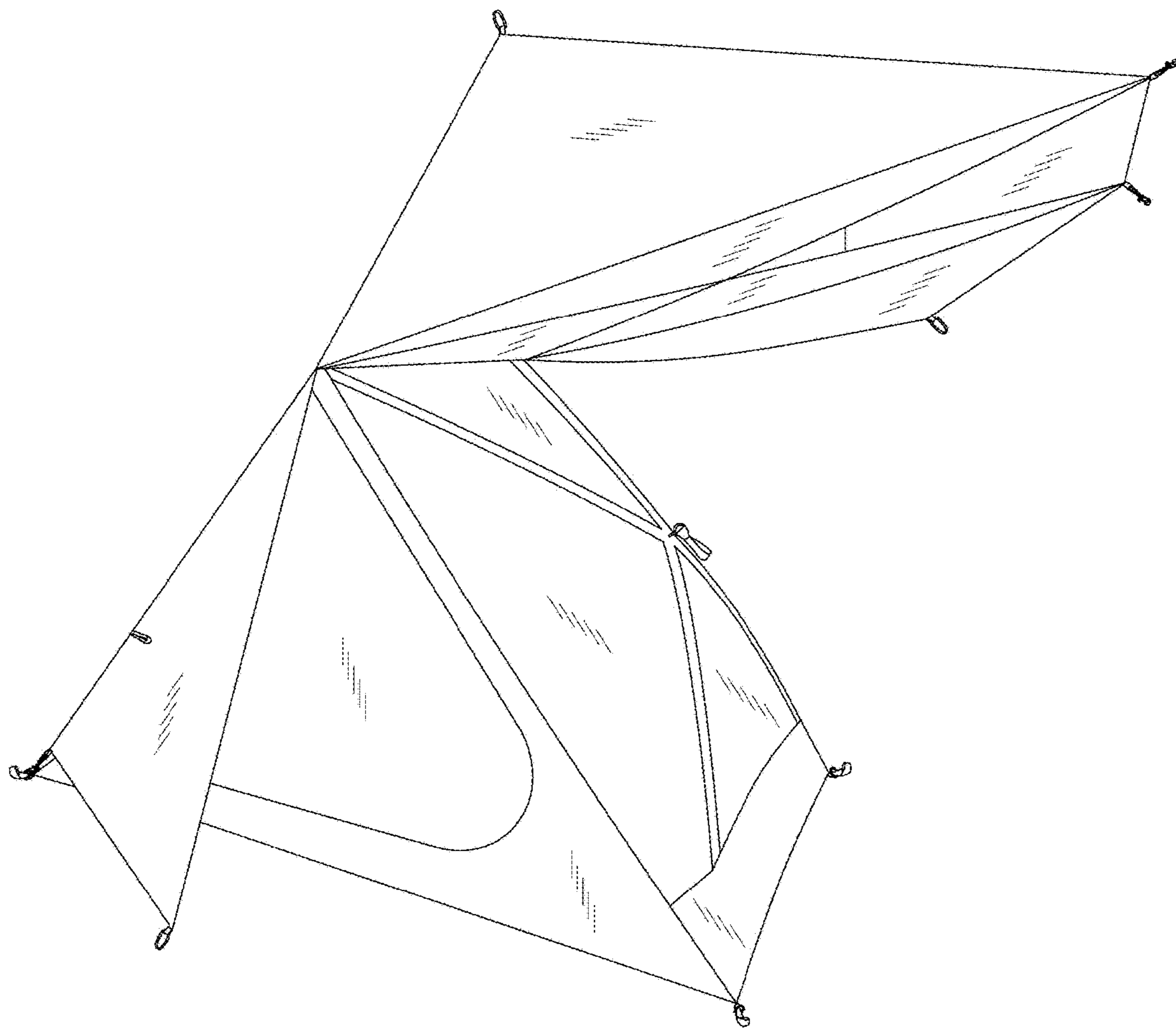


FIG. 10

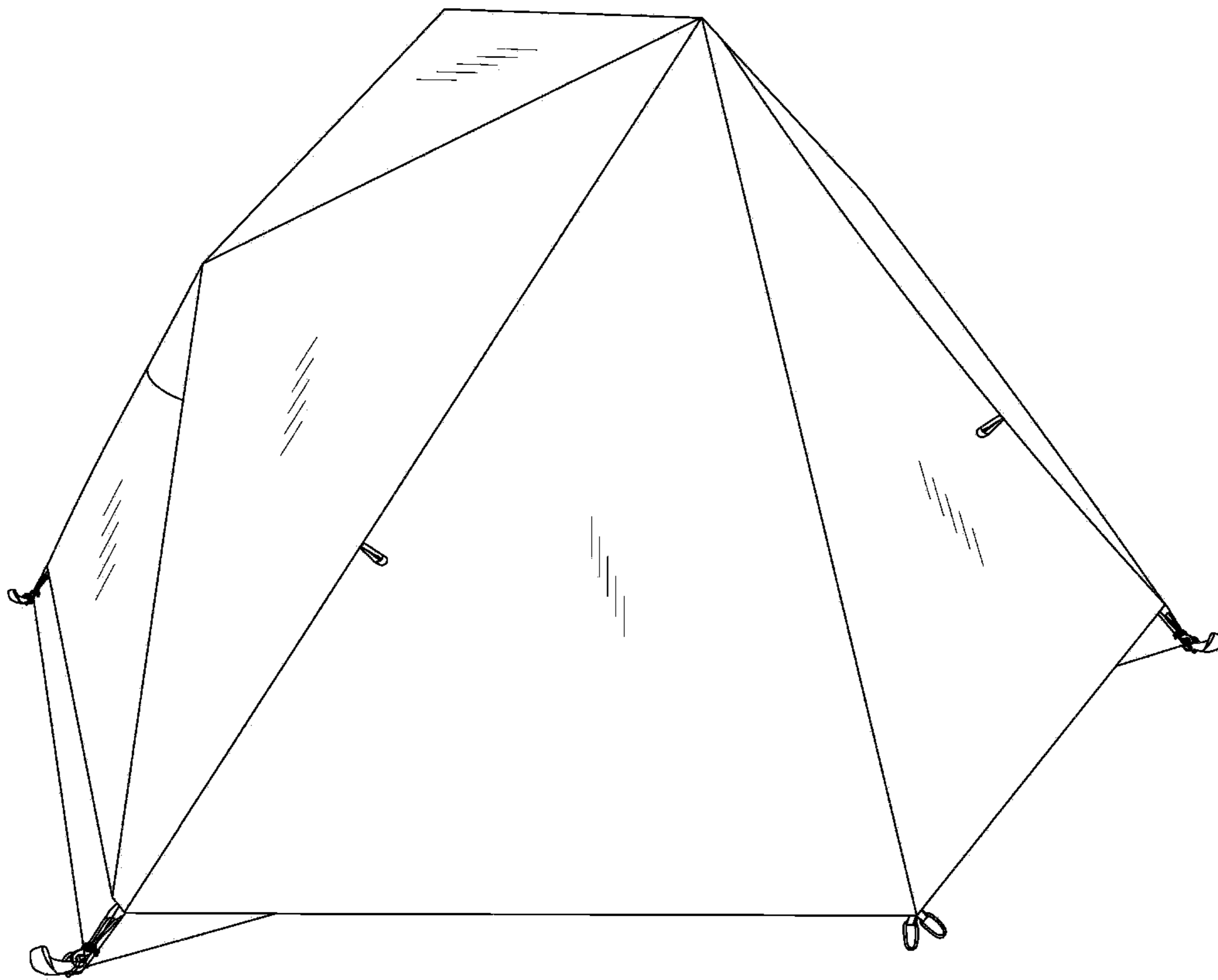


FIG. 11