



US00D940807S

(12) **United States Design Patent**  
**Yamada**

(10) **Patent No.:** **US D940,807 S**  
(45) **Date of Patent:** **\*\* Jan. 11, 2022**

(54) **SKATEBOARD TRUCK**  
(71) Applicant: **SURPATH TRADING CO., LTD.**,  
Chigasaki (JP)  
(72) Inventor: **Tsutomu Yamada**, Chigasaki (JP)  
(\*\*) Term: **15 Years**

7,628,412 B2 \* 12/2009 Colon ..... A63C 17/01  
280/809  
D630,282 S \* 1/2011 Ebanks ..... D21/771  
D643,493 S \* 8/2011 Nickolaisen ..... D21/771  
D764,001 S \* 8/2016 Docter ..... D21/771  
D780,869 S \* 3/2017 Liu ..... D21/771  
D882,011 S \* 4/2020 Colon ..... A63C 17/01  
D21/771

(21) Appl. No.: **35/511,066**  
(22) Filed: **Jun. 30, 2020**

\* cited by examiner

*Primary Examiner* — George D. Kirschbaum  
*Assistant Examiner* — Joseph J Kukella

(80) **Hague Agreement Data**  
Int. Filing Date: **Jun. 30, 2020**  
Int. Reg. No.: **DM/209096**  
Int. Reg. Date: **Jun. 30, 2020**  
Int. Reg. Pub. Date: **Jan. 1, 2021**

(57) **CLAIM**

The ornamental design for a skateboard truck, as shown and described.

(51) **LOC (13) Cl.** ..... **21-02**  
(52) **U.S. Cl.**  
USPC ..... **D21/771**  
(58) **Field of Classification Search**  
USPC ..... D21/760, 763, 764, 765, 771  
CPC ..... A63C 3/00-14; A63C 17/01-08  
See application file for complete search history.

**DESCRIPTION**

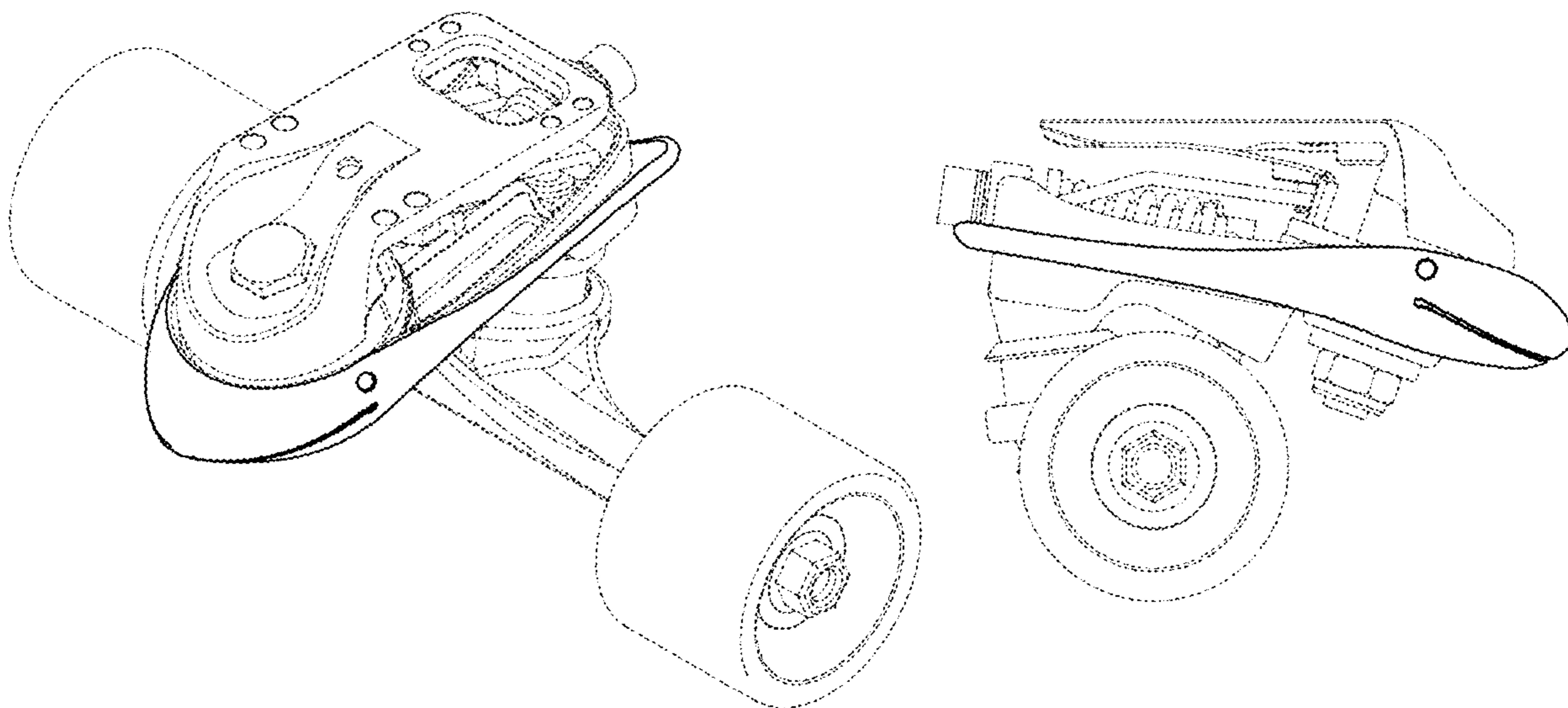
- 1. Skateboard truck
- 1.1 : Perspective
- 1.2 : Front
- 1.3 : Back
- 1.4 : Top
- 1.5 : Bottom
- 1.6 : Left
- 1.7 : Right

The parts shown by means of broken lines in the reproductions are not part of the claimed design.

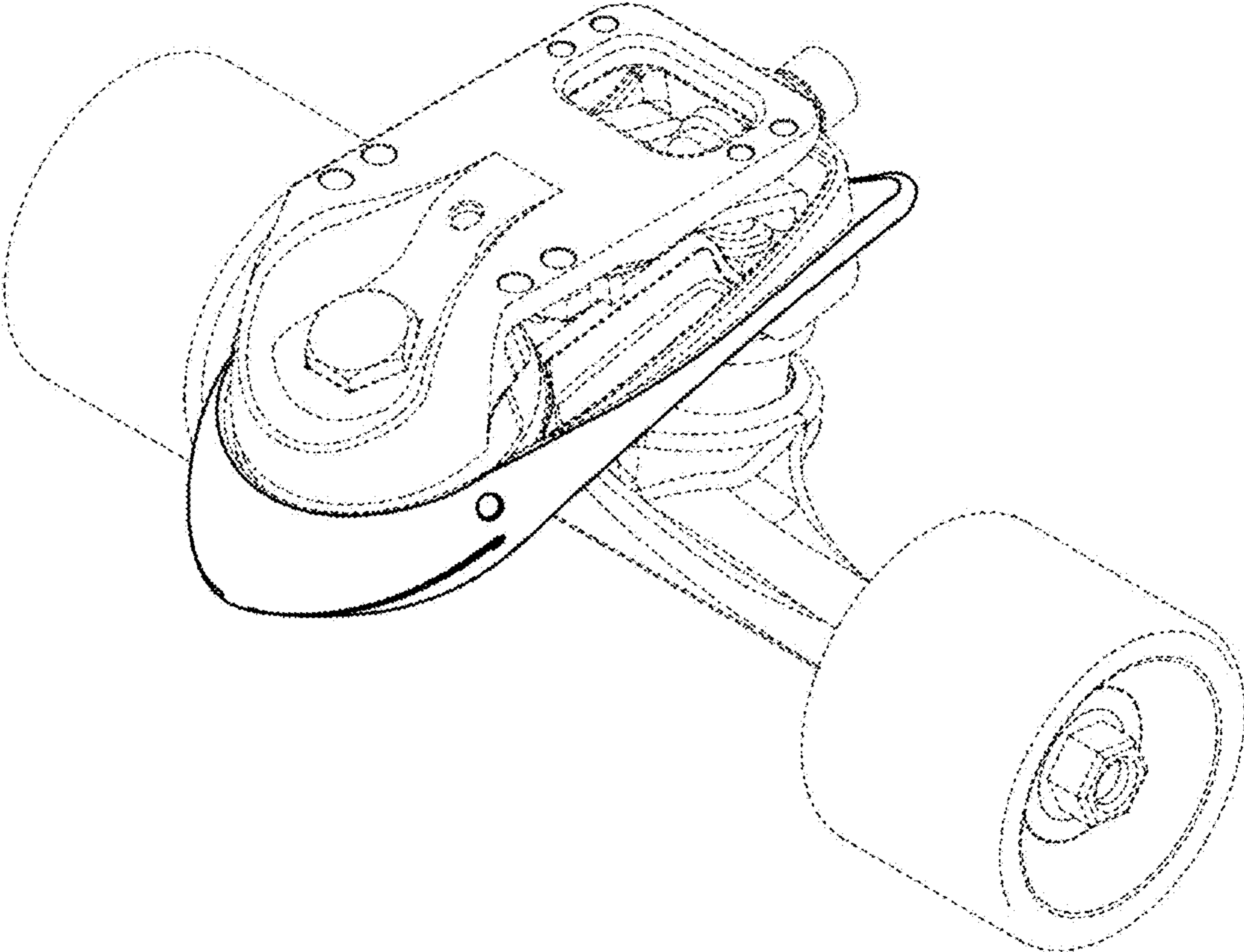
(56) **References Cited**  
U.S. PATENT DOCUMENTS

D437,019 S \* 1/2001 Colon ..... D21/765  
D479,868 S \* 9/2003 Ojeda, III ..... D21/771

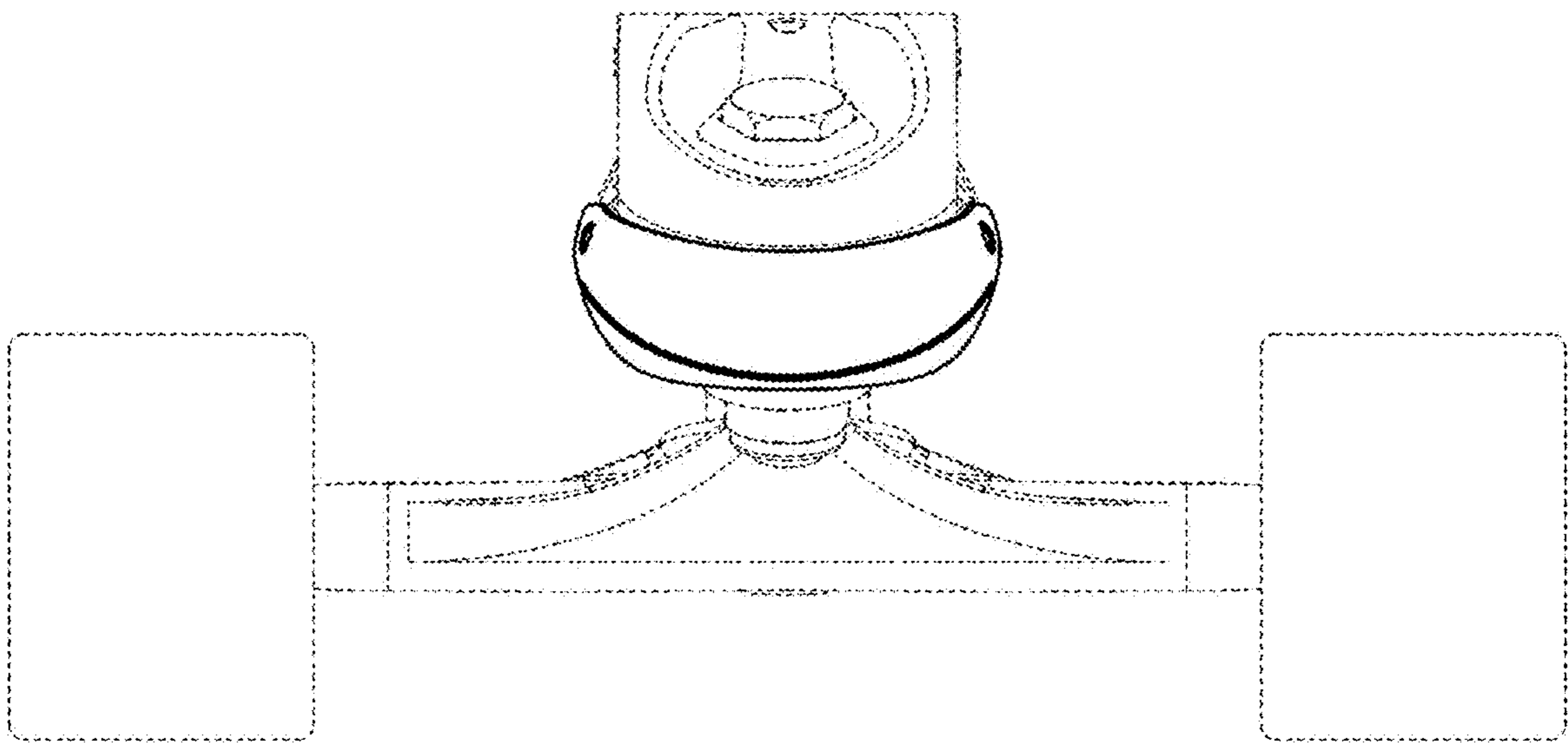
**1 Claim, 7 Drawing Sheets**



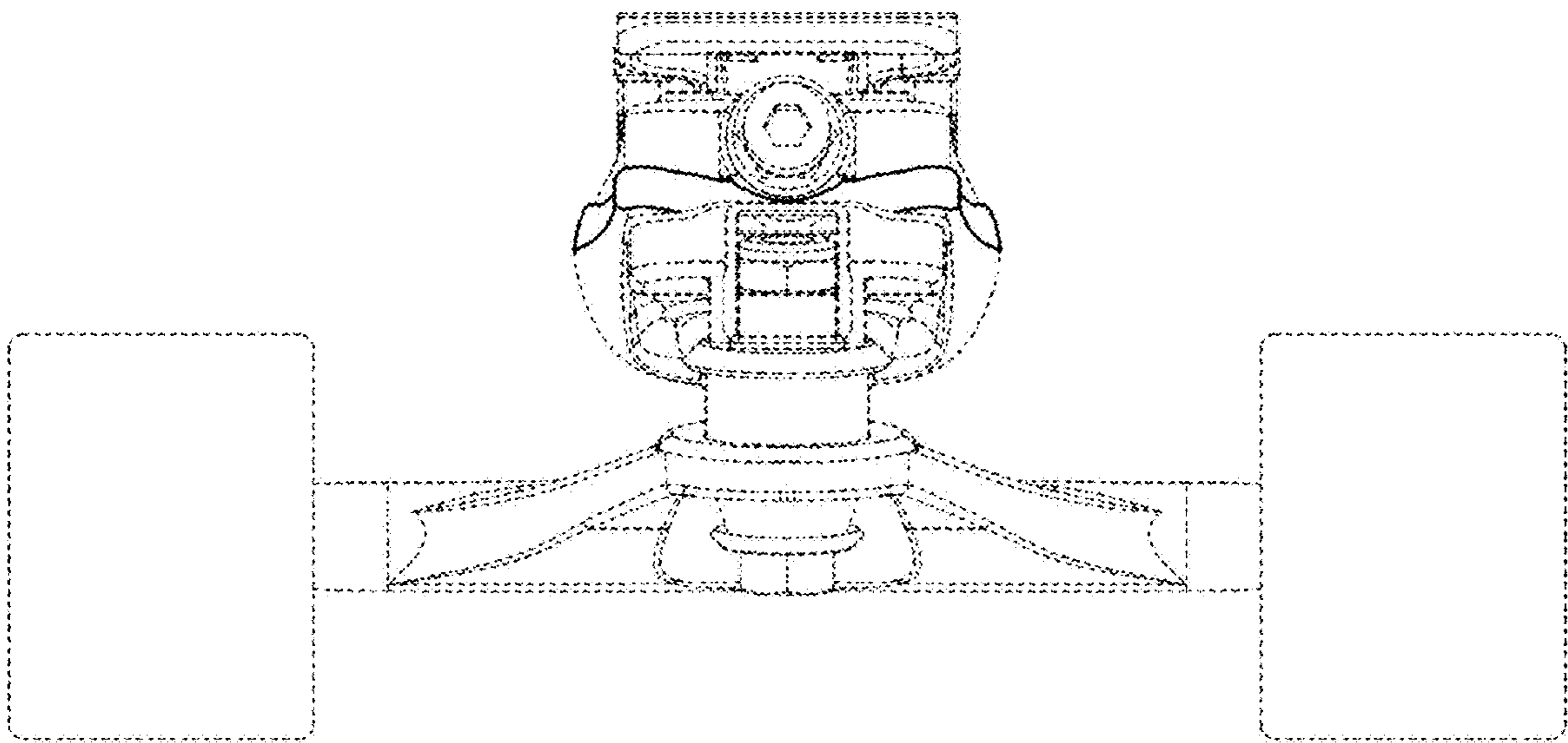
1.1



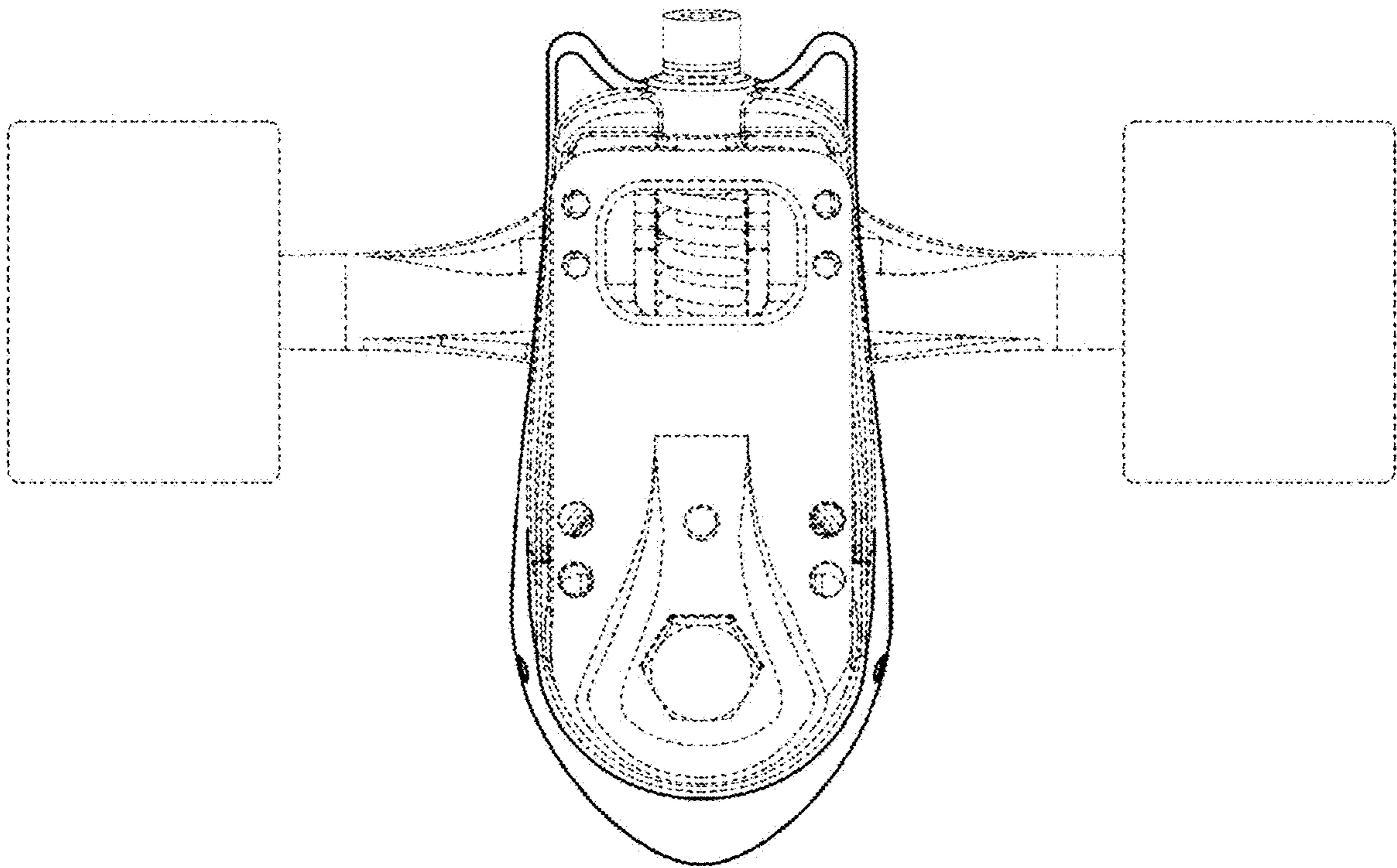
1.2



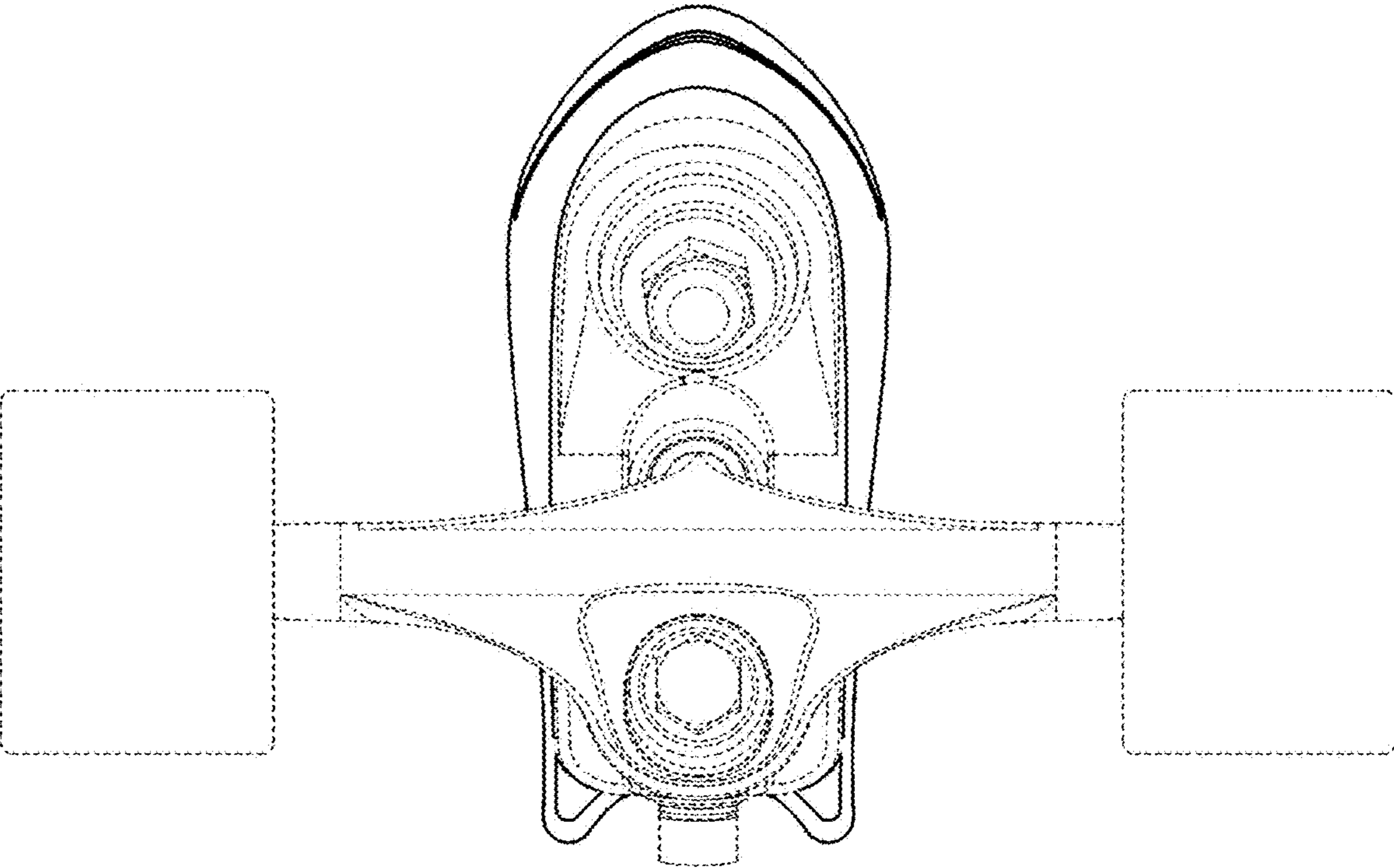
1.3



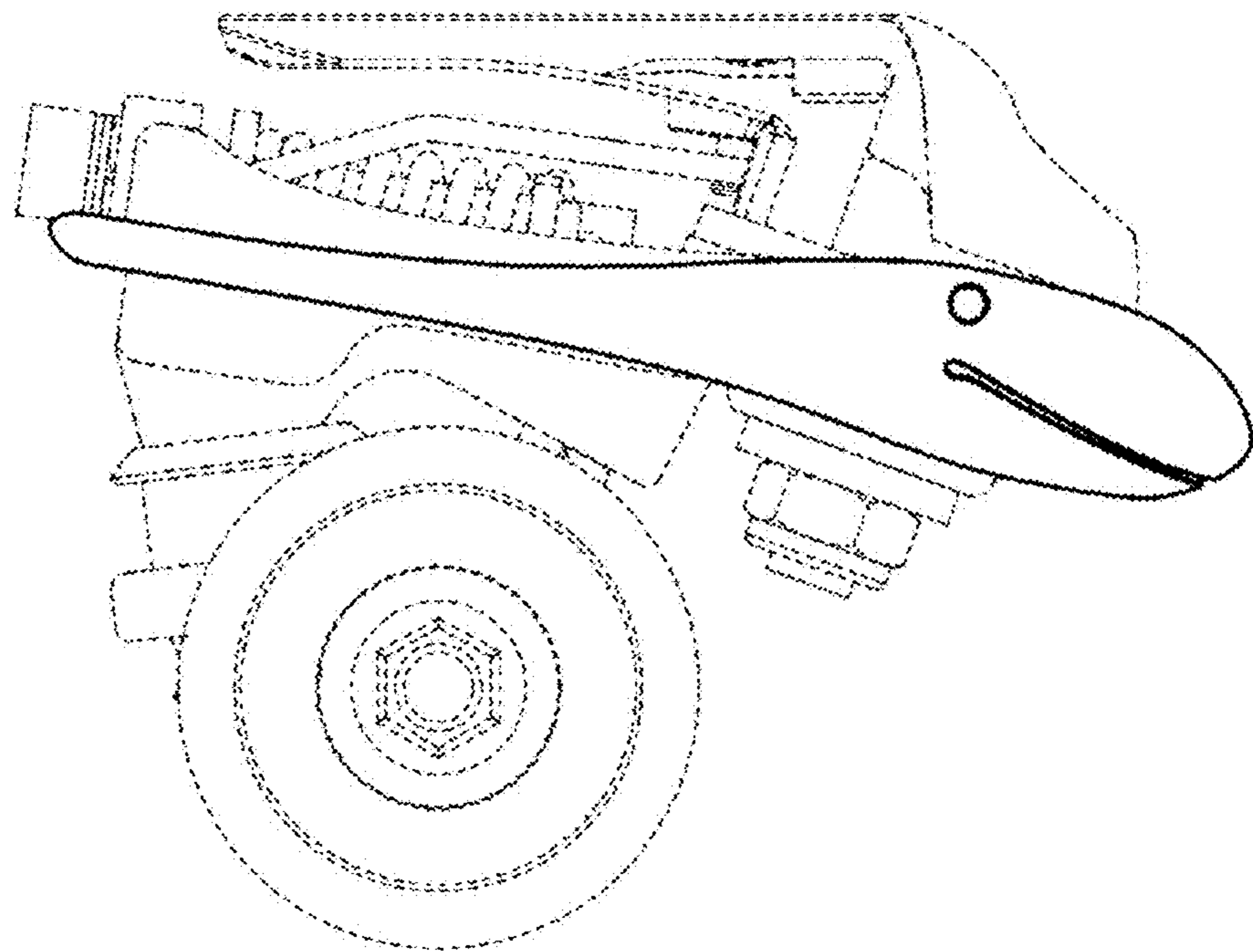
1.4



1.5



1.6



1.7

