



US00D940803S

(12) **United States Design Patent**
Kovacevich

(10) **Patent No.:** **US D940,803 S**

(45) **Date of Patent:** **** Jan. 11, 2022**

- (54) **GOLF CLUB HEAD**
- (71) Applicant: **Callaway Golf Company**, Carlsbad, CA (US)
- (72) Inventor: **Matt Kovacevich**, Oceanside, CA (US)
- (73) Assignee: **Callaway Golf Company**, Carlsbad, CA (US)
- (**) Term: **15 Years**
- (21) Appl. No.: **29/741,128**
- (22) Filed: **Jul. 9, 2020**
- (51) **LOC (13) Cl.** **21-02**
- (52) **U.S. Cl.**
USPC **D21/759**
- (58) **Field of Classification Search**
USPC D21/733, 752, 759
CPC A63B 53/00; A63B 53/04; A63B 53/0466;
A63B 2053/002; A63B 2053/0445; A63B
2053/0433; A63B 2053/0491; A63B
2053/0437; A63B 60/00; A63B 60/46
See application file for complete search history.

- D794,733 S * 8/2017 Milleman D21/752
- D795,372 S * 8/2017 Kim D21/759
- D812,168 S * 3/2018 Kim D21/759
- D825,013 S * 8/2018 Milleman D21/752
- D832,957 S * 11/2018 Tang D21/759
- D837,913 S * 1/2019 Clarke D21/752
- D837,914 S * 1/2019 Clarke D21/752
- D851,719 S * 6/2019 Kim D21/752
- D867,502 S * 11/2019 Song D21/752
- D867,503 S * 11/2019 Chun D21/752
- D885,502 S * 5/2020 Tsuchihashi D21/752
- D897,467 S * 9/2020 Kim D21/759
- D907,729 S * 1/2021 Kim D21/752
- D916,221 S * 4/2021 Bacon D21/752
- D917,644 S * 4/2021 Wang D21/752
- D927,621 S * 8/2021 Cyrulik D21/752
- D930,775 S * 9/2021 Nicolette D21/752
- D930,776 S * 9/2021 Song D21/752
- D931,393 S * 9/2021 Song D21/752

(Continued)

Primary Examiner — Mitchell I. Siegel

(74) *Attorney, Agent, or Firm* — Rebecca Hanovice;
Michael Catania; Sonia Lari

(57) **CLAIM**

The ornamental design for a golf club head, as shown and described.

DESCRIPTION

FIG. 1 is a bottom perspective view of the golf club head claimed herein;

FIG. 2 is a front elevational view thereof;

FIG. 3 is a rear elevational view thereof;

FIG. 4 is a left side elevational view thereof;

FIG. 5 is a right side elevational view thereof;

FIG. 6 is a top plan view thereof; and,

FIG. 7 is a bottom plan view thereof.

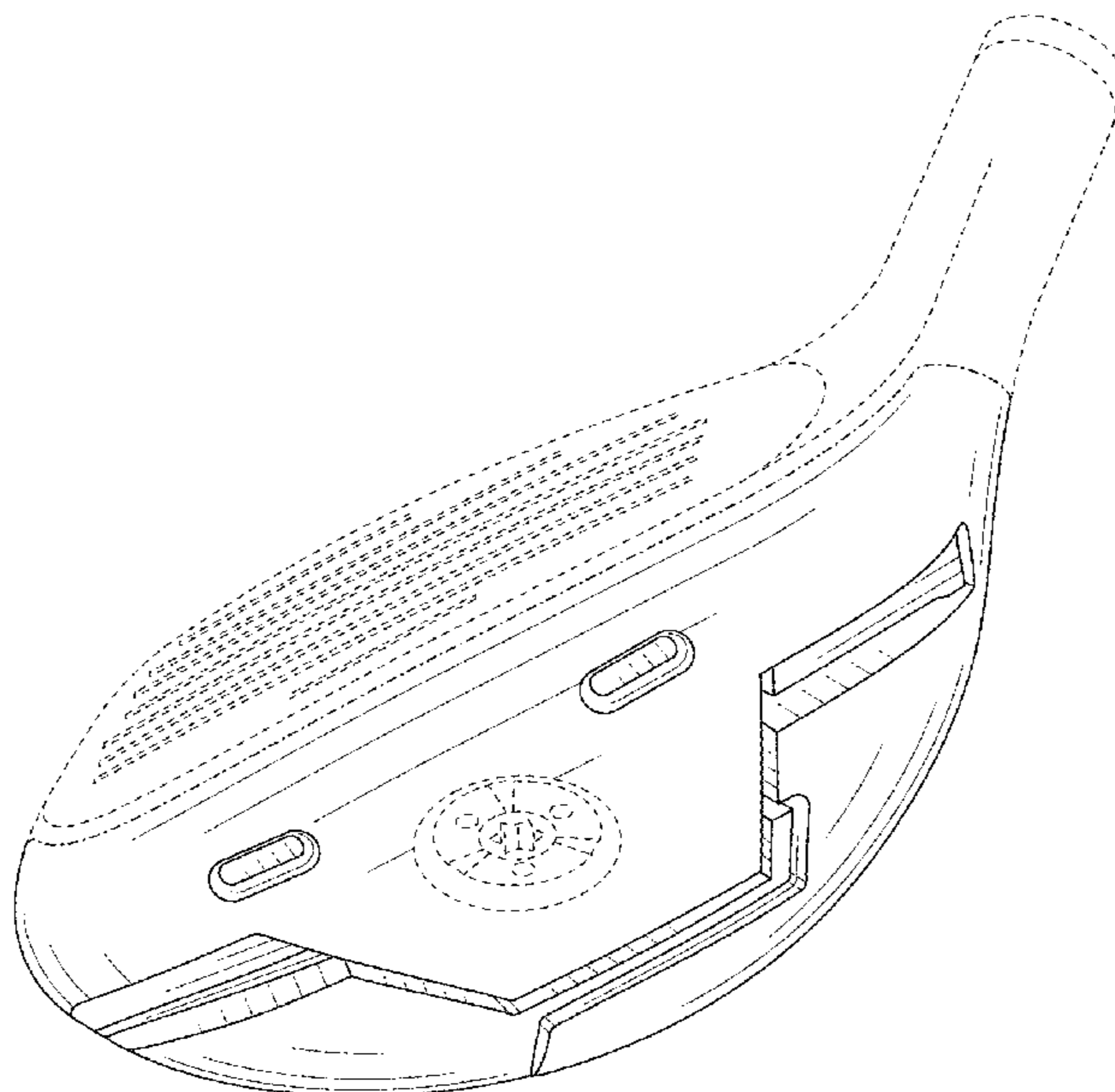
The broken lines shown in the drawings are included for the purpose of illustrating unclaimed subject matter and form no part of the claimed design.

1 Claim, 4 Drawing Sheets

(56) **References Cited**

U.S. PATENT DOCUMENTS

- D568,953 S * 5/2008 Harbert D21/752
- D588,217 S * 3/2009 Jertson D21/752
- D588,659 S * 3/2009 Jertson D21/752
- D594,918 S * 6/2009 Prichard D21/752
- D597,159 S * 7/2009 Pinto D21/752
- D600,297 S * 9/2009 Jertson D21/752
- D617,860 S * 6/2010 Foster D21/752
- D663,371 S * 7/2012 Kim D21/752
- D689,156 S * 9/2013 Stokke D21/759
- D710,471 S * 8/2014 Kim D21/759
- D725,729 S * 3/2015 Song D21/752
- D736,877 S * 8/2015 Foster D21/759
- D767,058 S * 9/2016 Oliveira D21/752



(56)

References Cited

U.S. PATENT DOCUMENTS

D931,394 S * 9/2021 Kitching, Jr. D21/752
D933,148 S * 10/2021 Nicolette D21/752
D933,151 S * 10/2021 Kroloff D21/752

* cited by examiner



FIG. 1

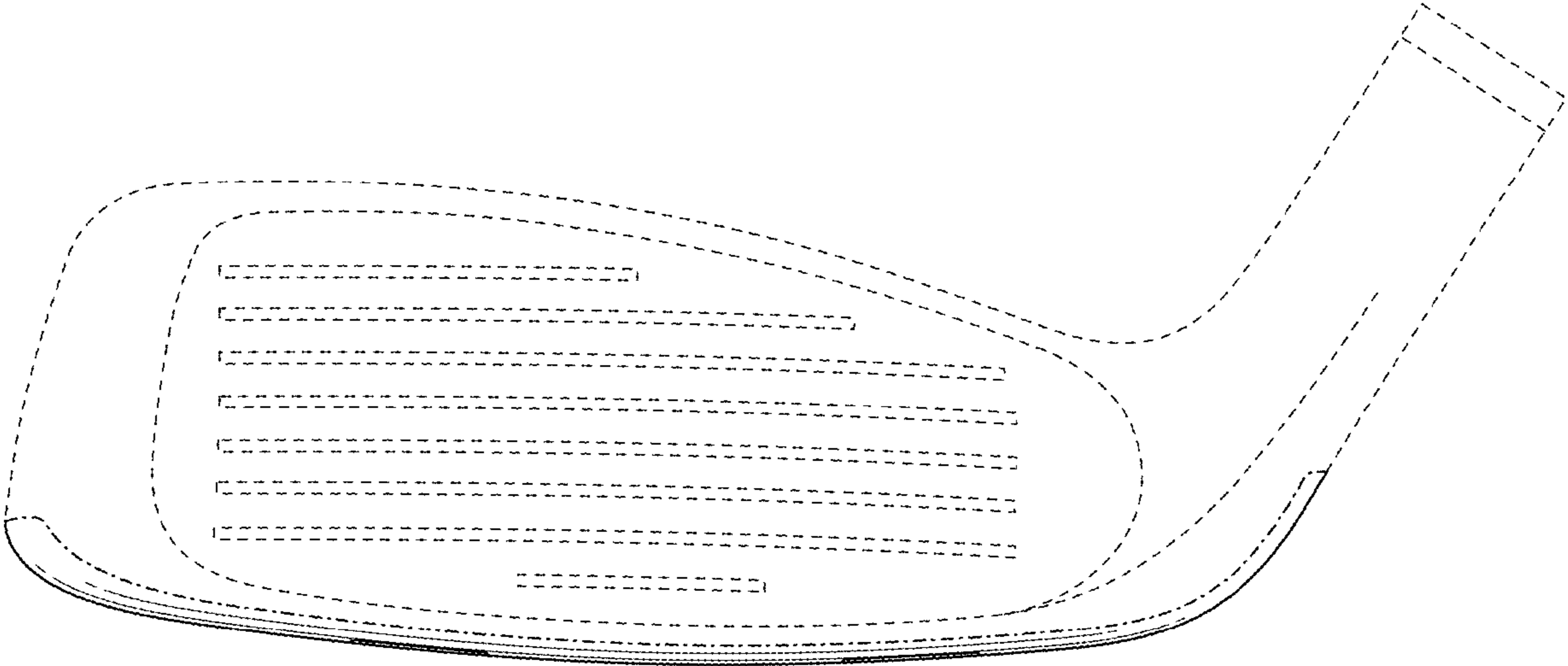


FIG. 2

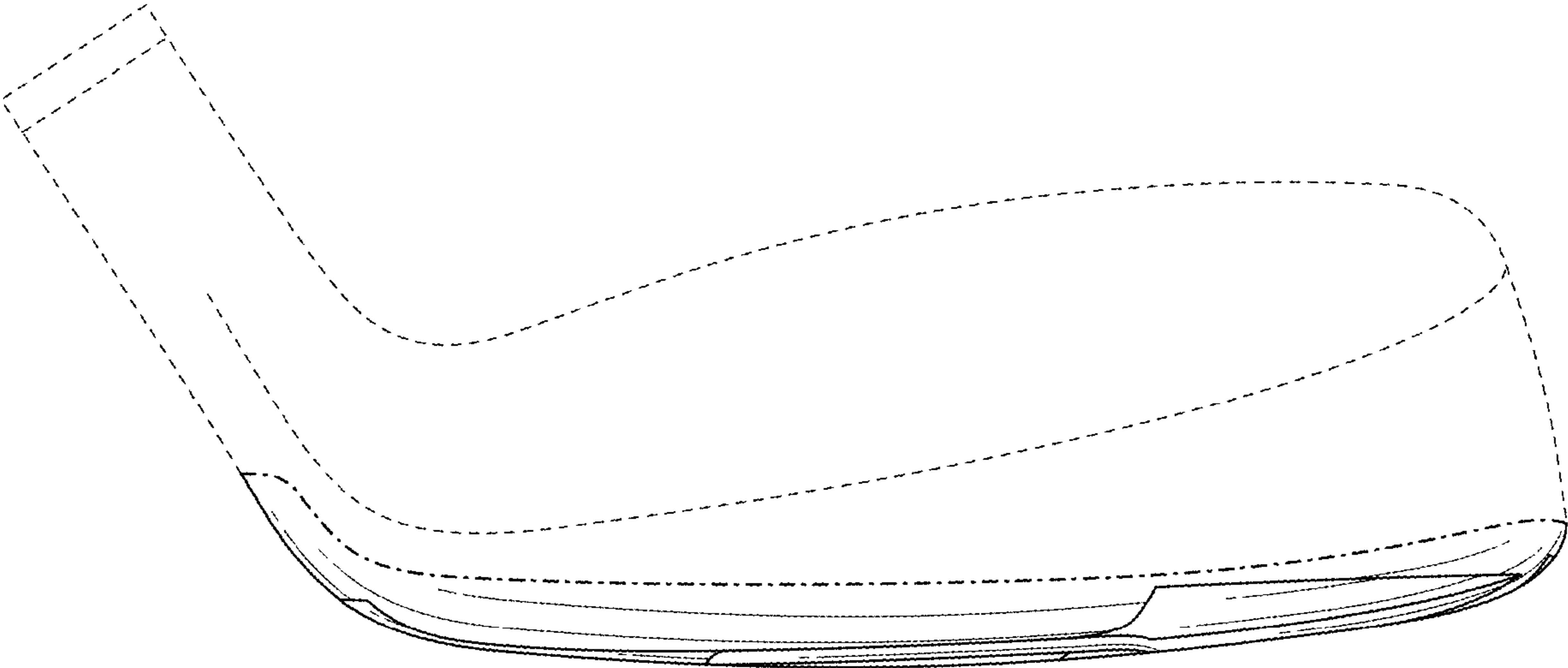


FIG. 3

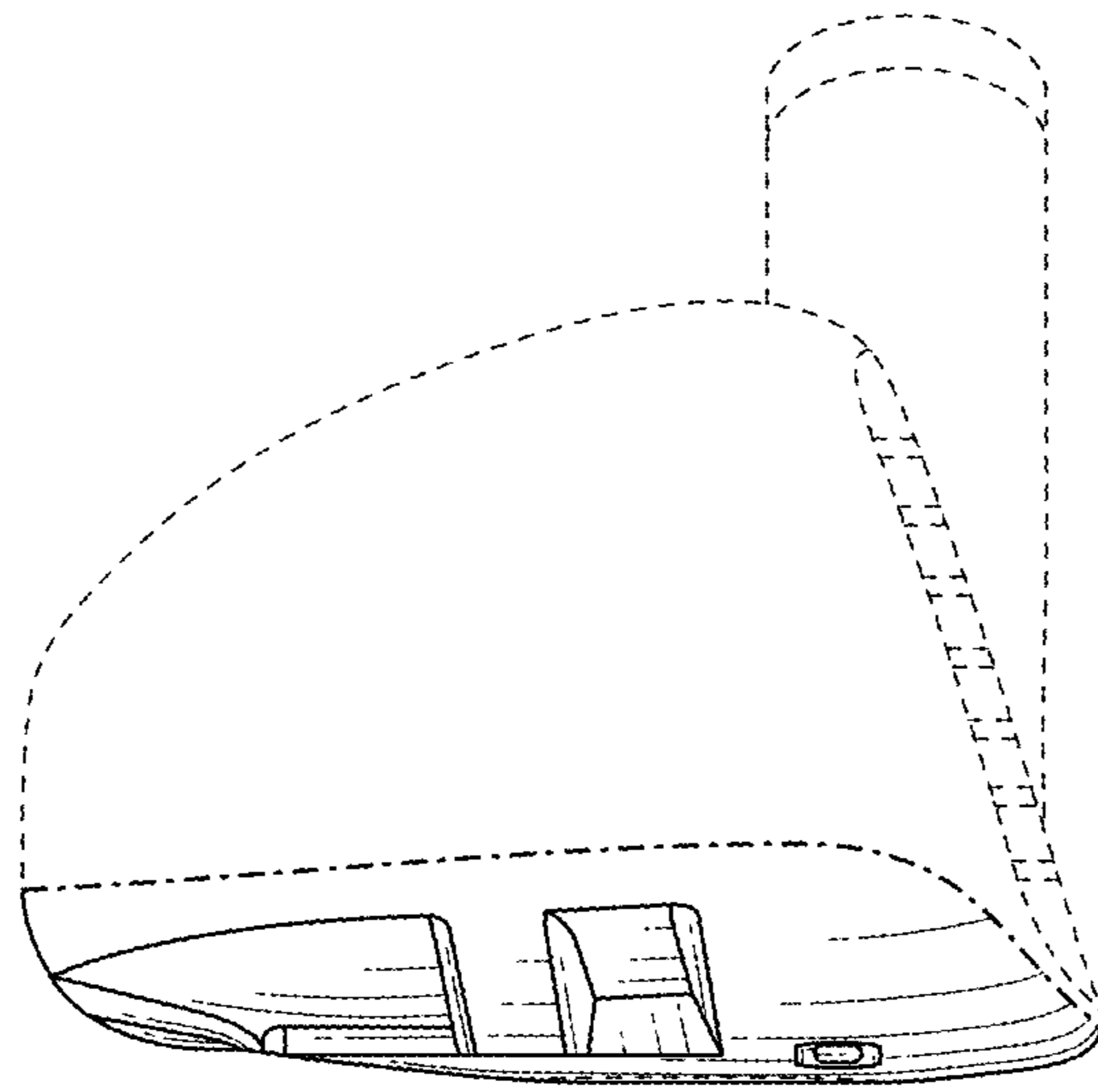


FIG. 4

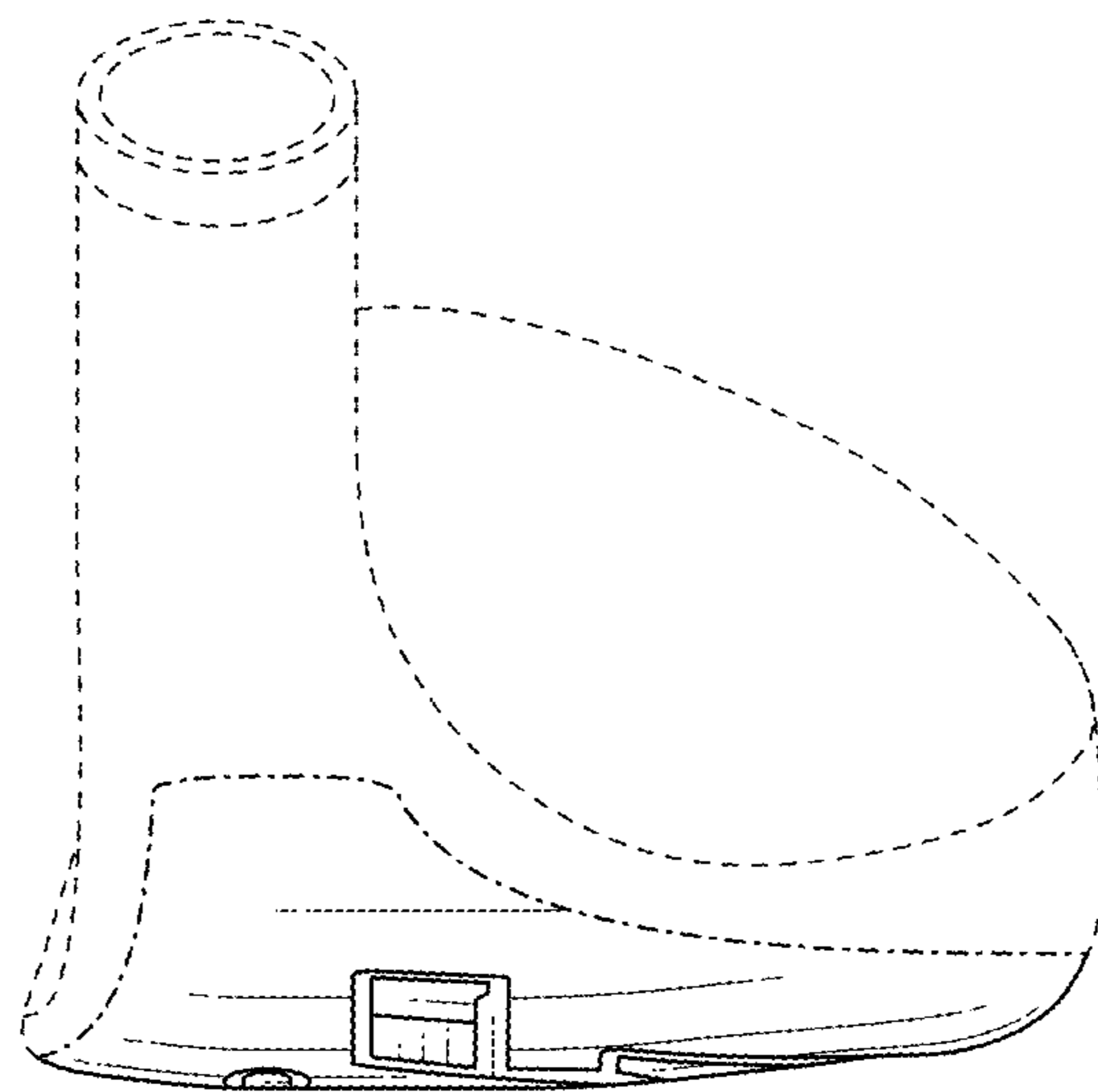


FIG. 5

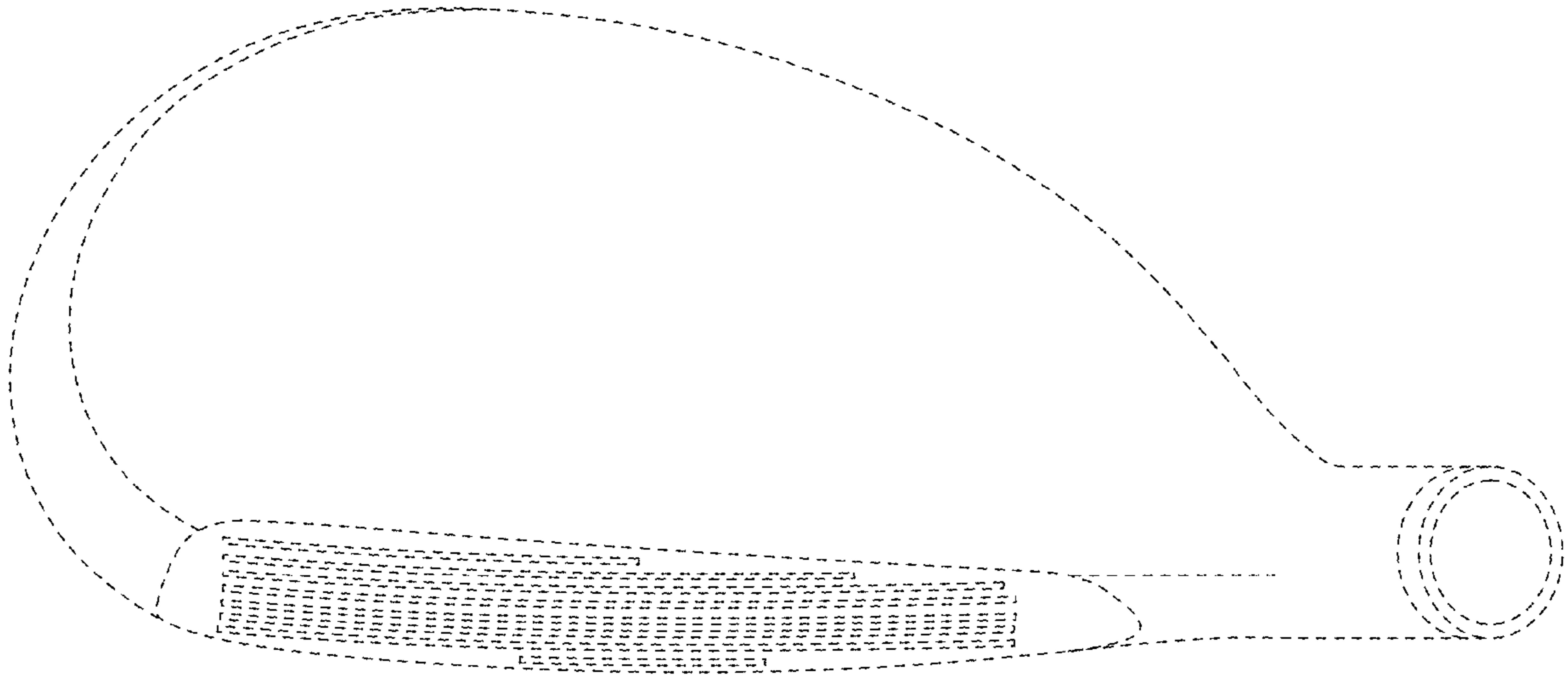


FIG. 6

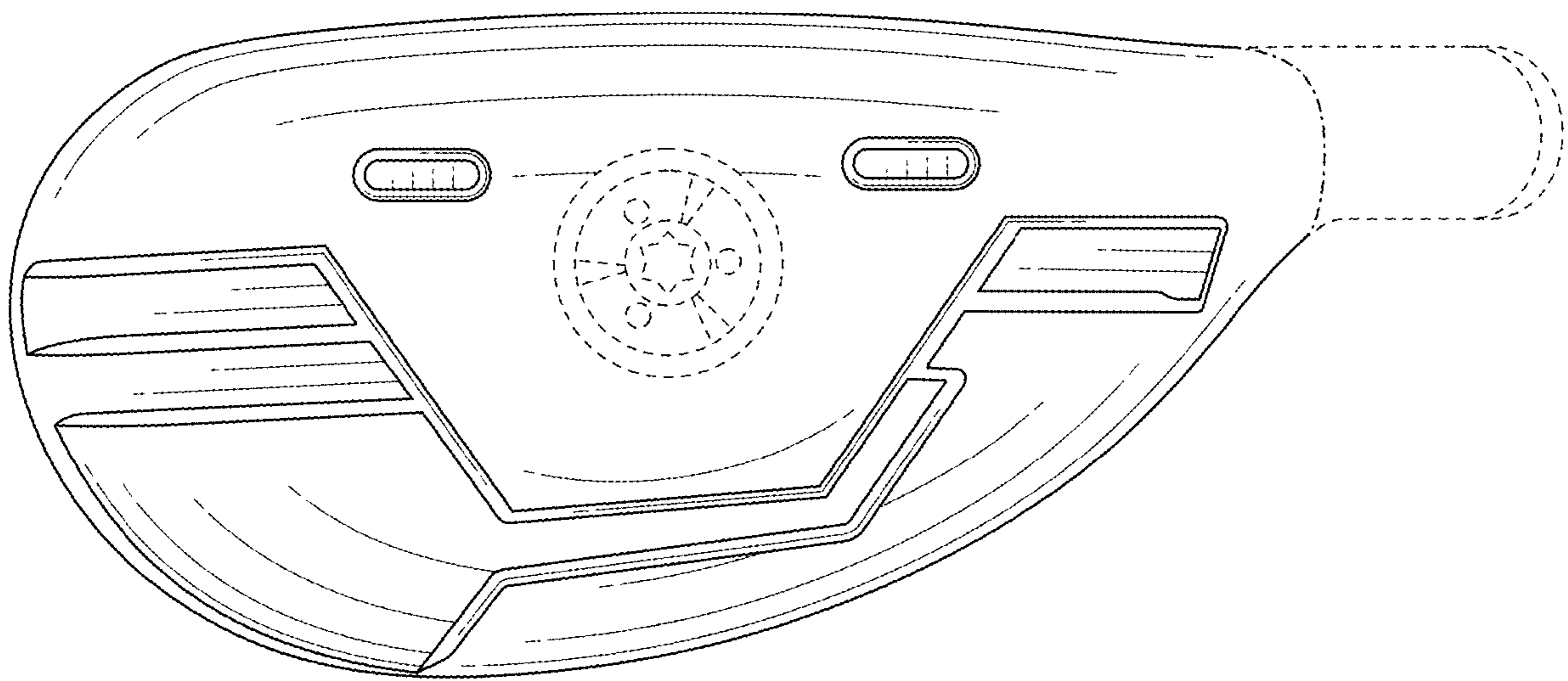


FIG. 7