



US00D940800S

(12) **United States Design Patent**
Wang

(10) **Patent No.:** **US D940,800 S**
(45) **Date of Patent:** **** Jan. 11, 2022**

(54) **GOLF TEE**
(71) Applicant: **Qingdao Billisagolf Co., Ltd, Qingdao (CN)**

2004/0166964 A1* 8/2004 Toyosawa A63B 57/10
473/387
2014/0228154 A1* 8/2014 Carroll A63B 57/10
473/400
2017/0157477 A1* 6/2017 Carroll, Jr. A63B 57/10

(72) Inventor: **Shengpeng Wang, Qingdao (CN)**

FOREIGN PATENT DOCUMENTS

(**) Term: **15 Years**

GB 236132 A * 7/1925 A63B 57/16
GB 435945 A * 10/1935 A63B 57/16
JP D1287430 * 12/2006
JP D1322543 * 2/2008
JP D1417488 * 6/2011
JP D1509292 * 10/2014
WO WO-2017110305 A1 * 6/2017 A63B 57/13

(21) Appl. No.: **29/737,395**

(22) Filed: **Jun. 9, 2020**

(51) **LOC (13) Cl.** **21-02**

(52) **U.S. Cl.**
USPC **D21/718**

(58) **Field of Classification Search**
USPC D21/715-721; 473/387-403
CPC A63B 57/10-207
See application file for complete search history.

* cited by examiner

Primary Examiner — Catherine A Tuttle

(57) **CLAIM**

The ornamental design for a golf tee, as shown and described.

DESCRIPTION

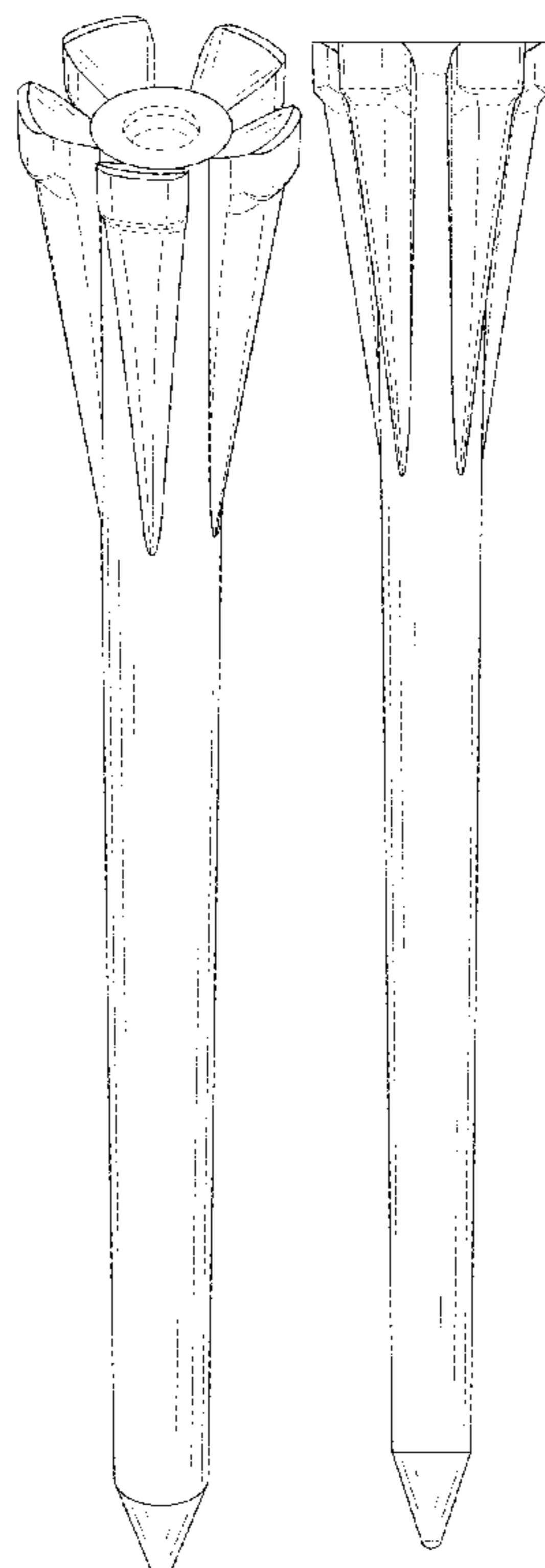
(56) **References Cited**

U.S. PATENT DOCUMENTS

2,455,705 A * 12/1948 Seager A63B 57/10
473/402
D315,766 S * 3/1991 Lemon D21/718
D482,086 S * 11/2003 Metz D21/718
D485,318 S * 1/2004 Bonfanti D21/718
D566,802 S * 4/2008 Carroll D21/718
D597,156 S * 7/2009 Chudy D21/717
D605,713 S * 12/2009 Chudy D21/717
D659,211 S * 5/2012 Bowen D21/718
D695,861 S * 12/2013 MacKeen D21/718
D782,587 S * 3/2017 Carroll, Jr. D21/718

FIG. 1 is a perspective view of a golf tee showing my new design;
FIG. 2 is a front view thereof;
FIG. 3 is a back view thereof;
FIG. 4 is a left side view thereof;
FIG. 5 is a right side view thereof;
FIG. 6 is a top view thereof; and,
FIG. 7 is a bottom view thereof.
The broken lines shown in the drawings depict portions of the golf tee in which the design is embodied that form no, part of the claimed design.

1 Claim, 7 Drawing Sheets



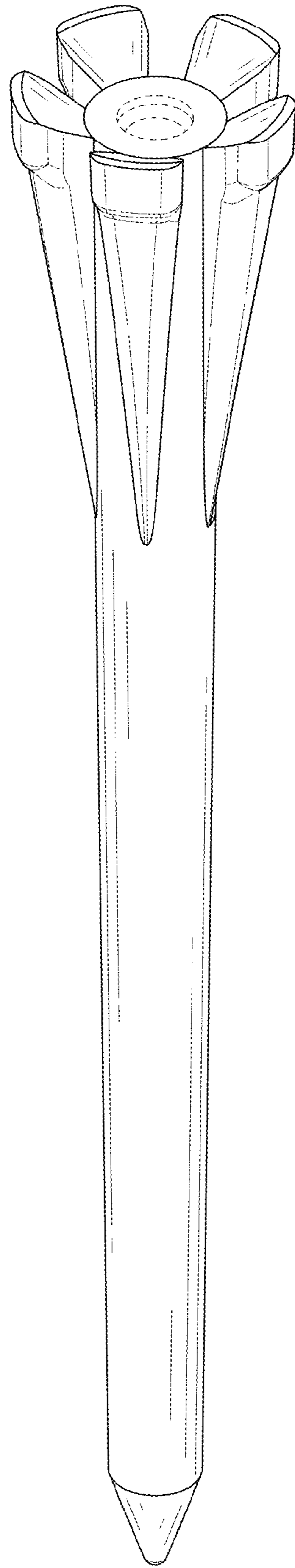


FIG. 1

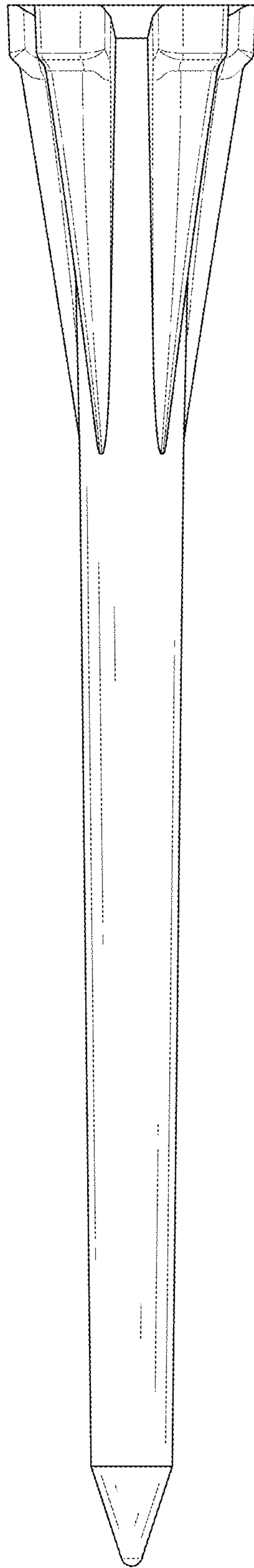


FIG. 2

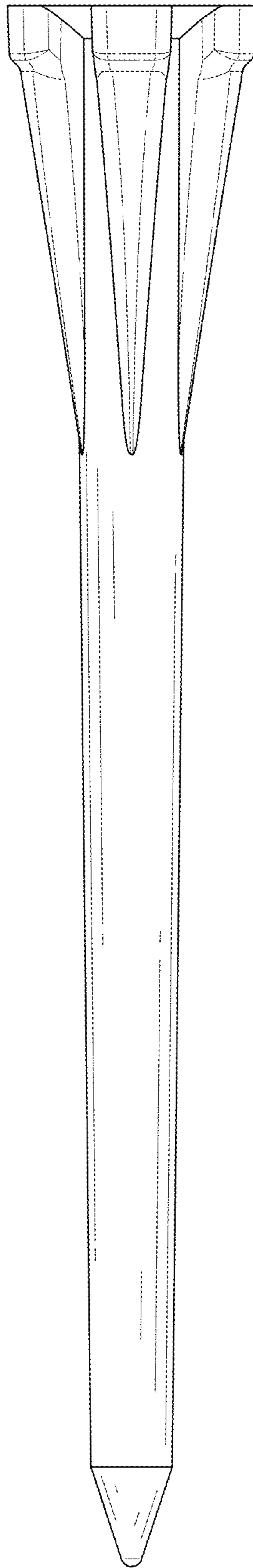


FIG. 3

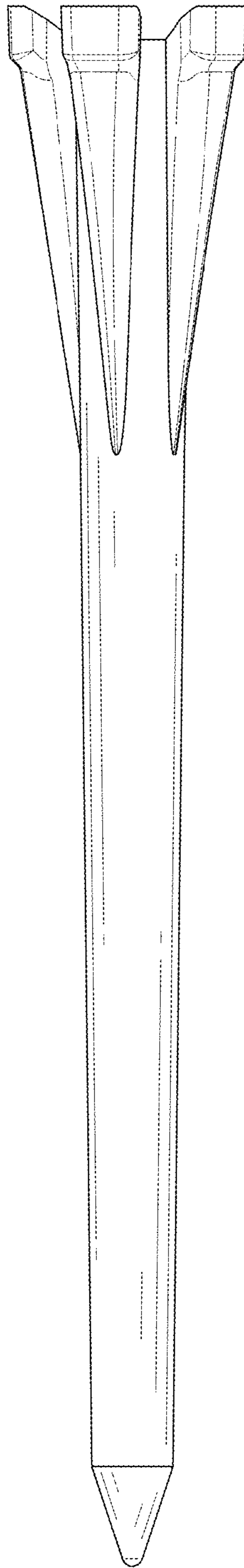


FIG. 4

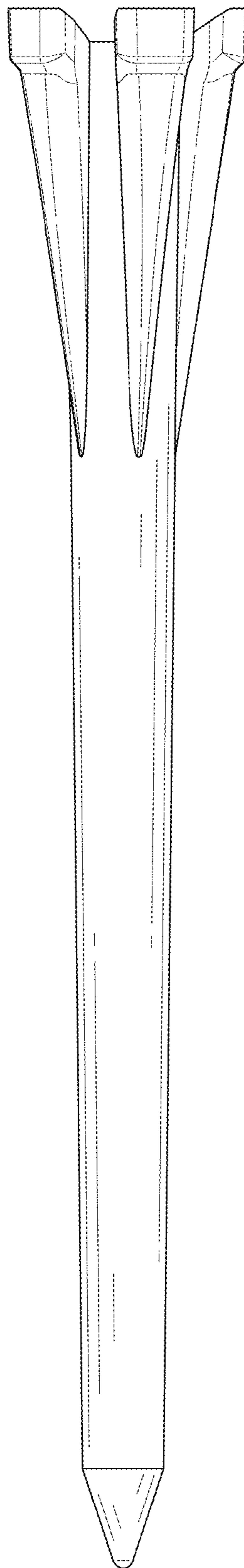


FIG. 5

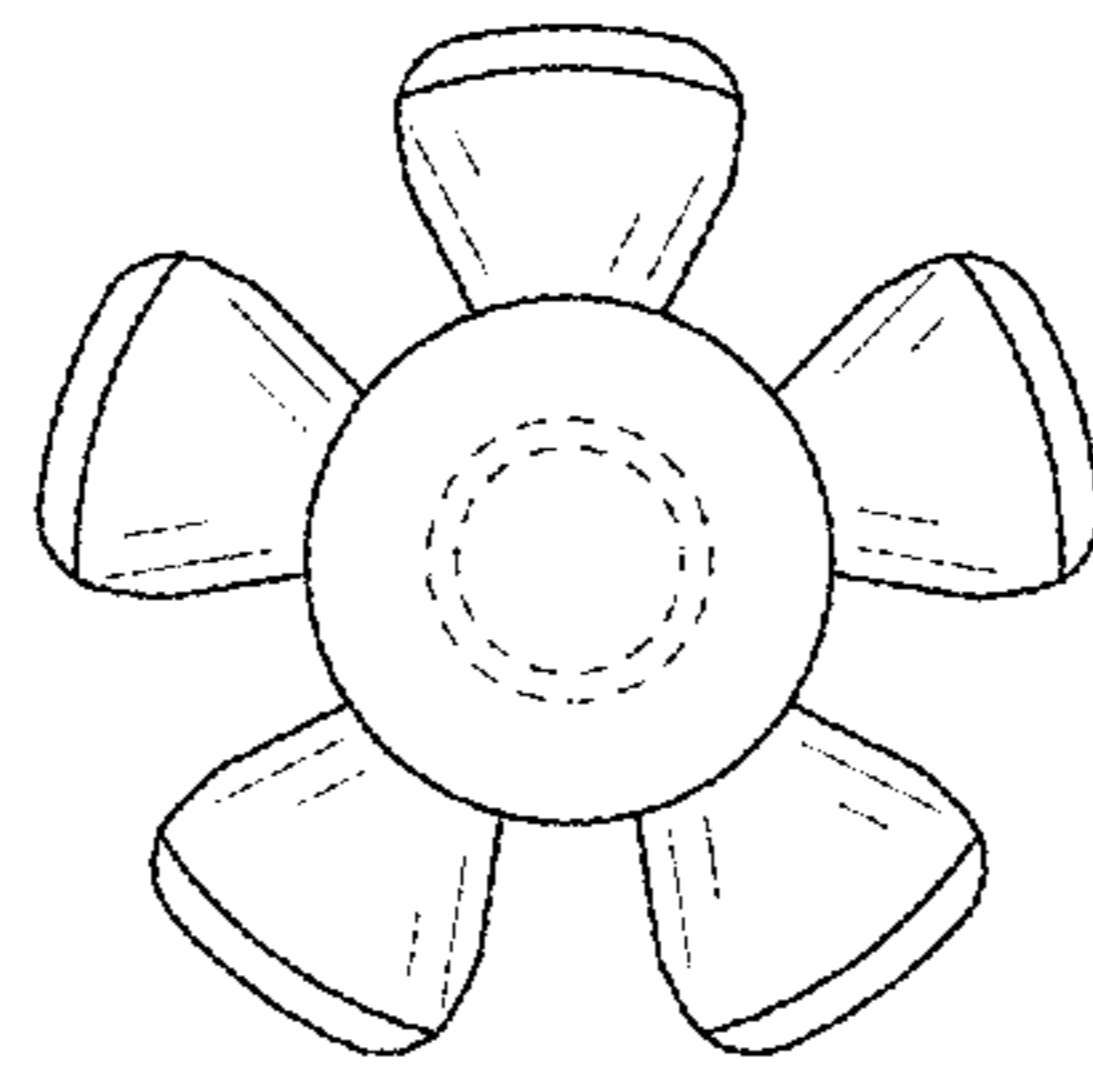


FIG. 6

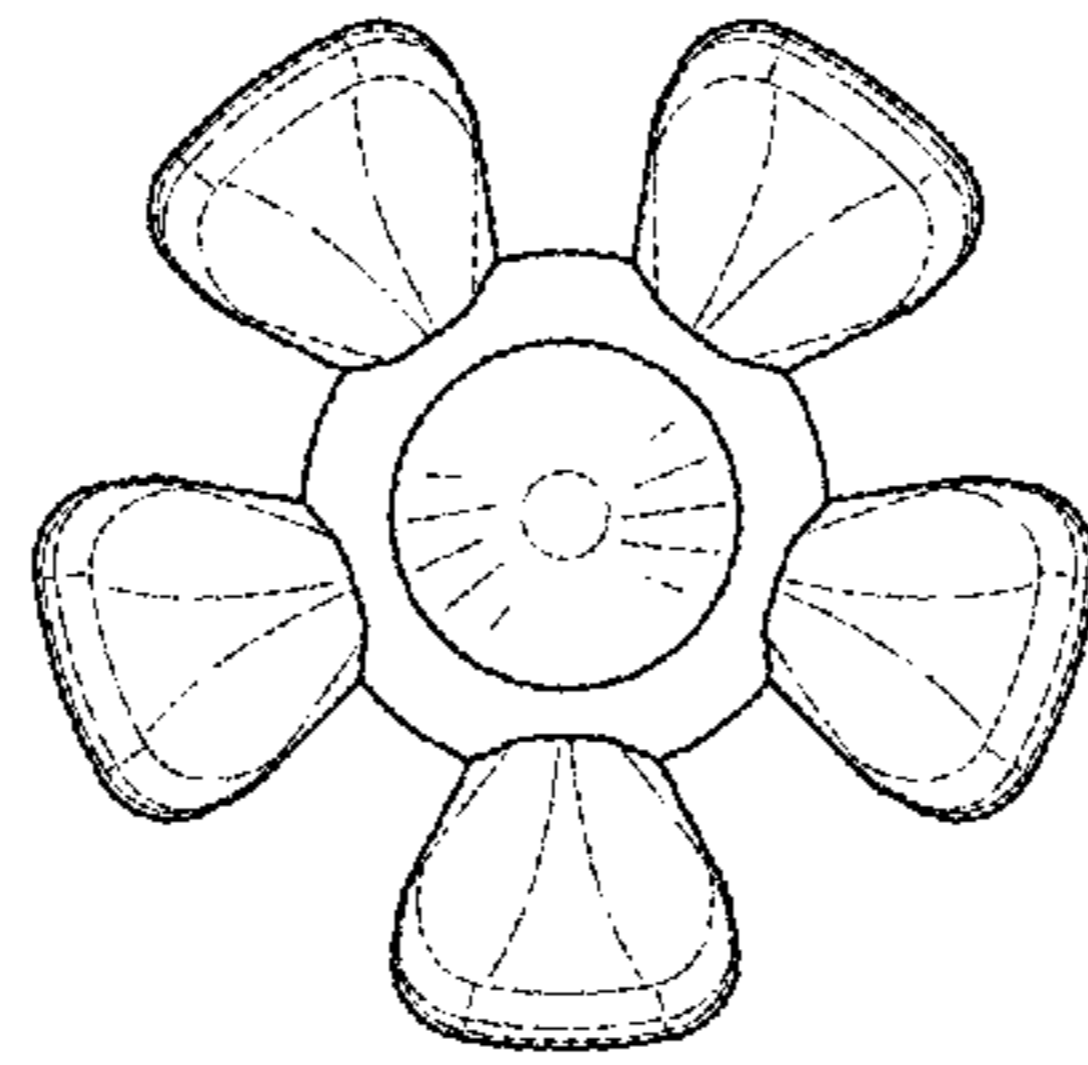


FIG. 7