



US00D940799S

(12) **United States Design Patent**  
**Li**

(10) **Patent No.:** **US D940,799 S**  
(45) **Date of Patent:** **\*\* Jan. 11, 2022**

(54) **STRENGTH TRAINING DIP STAND**

(71) Applicant: **Xiaochun Li**, Yongkang (CN)

(72) Inventor: **Xiaochun Li**, Yongkang (CN)

(\*\*) Term: **15 Years**

(21) Appl. No.: **29/751,639**

(22) Filed: **Sep. 22, 2020**

(30) **Foreign Application Priority Data**

Jul. 8, 2020 (CN) ..... 202030364157.9

(51) **LOC (13) Cl.** ..... **21-01**

(52) **U.S. Cl.**  
USPC ..... **D21/691**

(58) **Field of Classification Search**  
USPC ..... D21/662, 673, 679-681, 691, 694  
See application file for complete search history.

(56) **References Cited**

**U.S. PATENT DOCUMENTS**

- 3,521,881 A \* 7/1970 Schaevitz ..... A63B 21/0023  
482/142
- D267,419 S \* 12/1982 Komarnicki ..... D21/691
- D277,400 S \* 1/1985 Inoue ..... D21/691
- D314,025 S \* 1/1991 Shimer ..... D21/691
- D324,708 S \* 3/1992 Walsh ..... D21/691
- 5,169,362 A \* 12/1992 Schwartz ..... A63B 3/00  
482/42
- D339,835 S \* 9/1993 Hsieh ..... D21/691
- 5,407,404 A \* 4/1995 Killian ..... A63B 21/0552  
482/123
- D503,757 S \* 4/2005 Sjurdagardi ..... D21/686
- 7,144,353 B2 \* 12/2006 Sjuragari ..... A63B 21/00047  
482/142
- D578,582 S \* 10/2008 Gomez ..... D21/686

- D633,962 S \* 3/2011 Stacey ..... D21/691
- D698,402 S \* 1/2014 Saletta ..... D21/691
- D753,246 S 4/2016 Kaye et al.
- 9,327,153 B2 \* 5/2016 Wallisch ..... A63B 3/00
- D875,266 S \* 2/2020 Qiu ..... D24/213
- D888,850 S 6/2020 Smith, Jr.
- D903,019 S \* 11/2020 Sotis ..... D21/686

**OTHER PUBLICATIONS**

“Sportsroyals Power Tower Pull Up Dip Station” Sep. 16, 2020, site visited Sep. 18, 2021: <https://www.amazon.sg/Sportsroyals-Adjustable-Multi-Function-Strength-Equipment/dp/B08J724YMS/> (Year: 2020).\*

\* cited by examiner

*Primary Examiner* — Michael C Stout

*Assistant Examiner* — Melvin L Davis

(74) *Attorney, Agent, or Firm* — ScienBiziP, P.C.

(57) **CLAIM**

The ornamental design for a strength training dip stand, as shown and described.

**DESCRIPTION**

FIG. 1 is a front perspective view of a strength training dip stand, showing my design.

FIG. 2 is a rear perspective view thereof.

FIG. 3 is a front elevation view thereof.

FIG. 4 is a rear elevation view thereof.

FIG. 5 is a left side elevation thereof.

FIG. 6 is a right side elevation thereof.

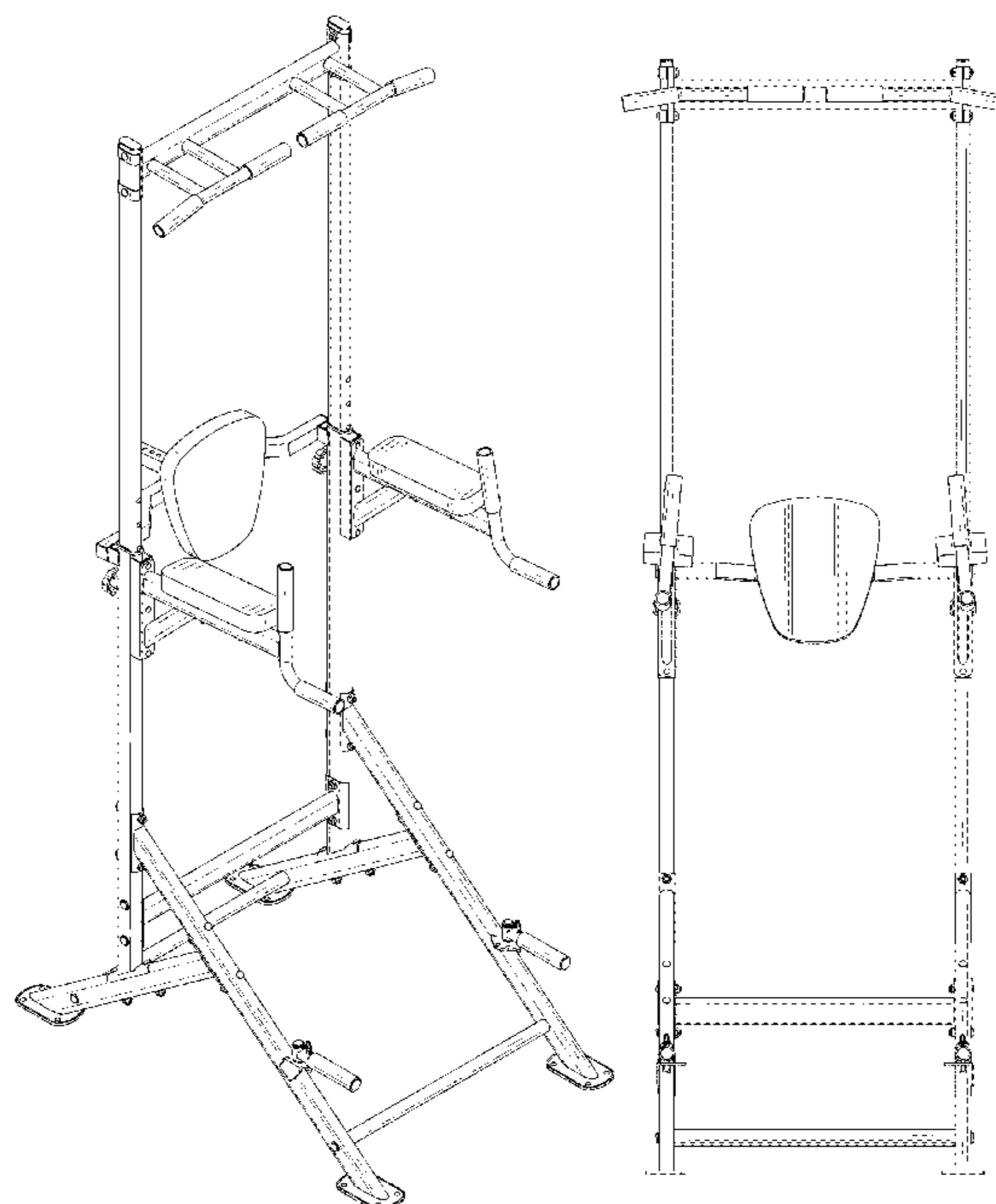
FIG. 7 is a top plan view thereof.

FIG. 8 is a bottom plan view thereof; and,

FIG. 9 is an enlarged view of an area labeled 9 in FIG. 2.

The broken lines in the drawings depict environmental structure and boundaries and form no part of the claimed design.

**1 Claim, 9 Drawing Sheets**



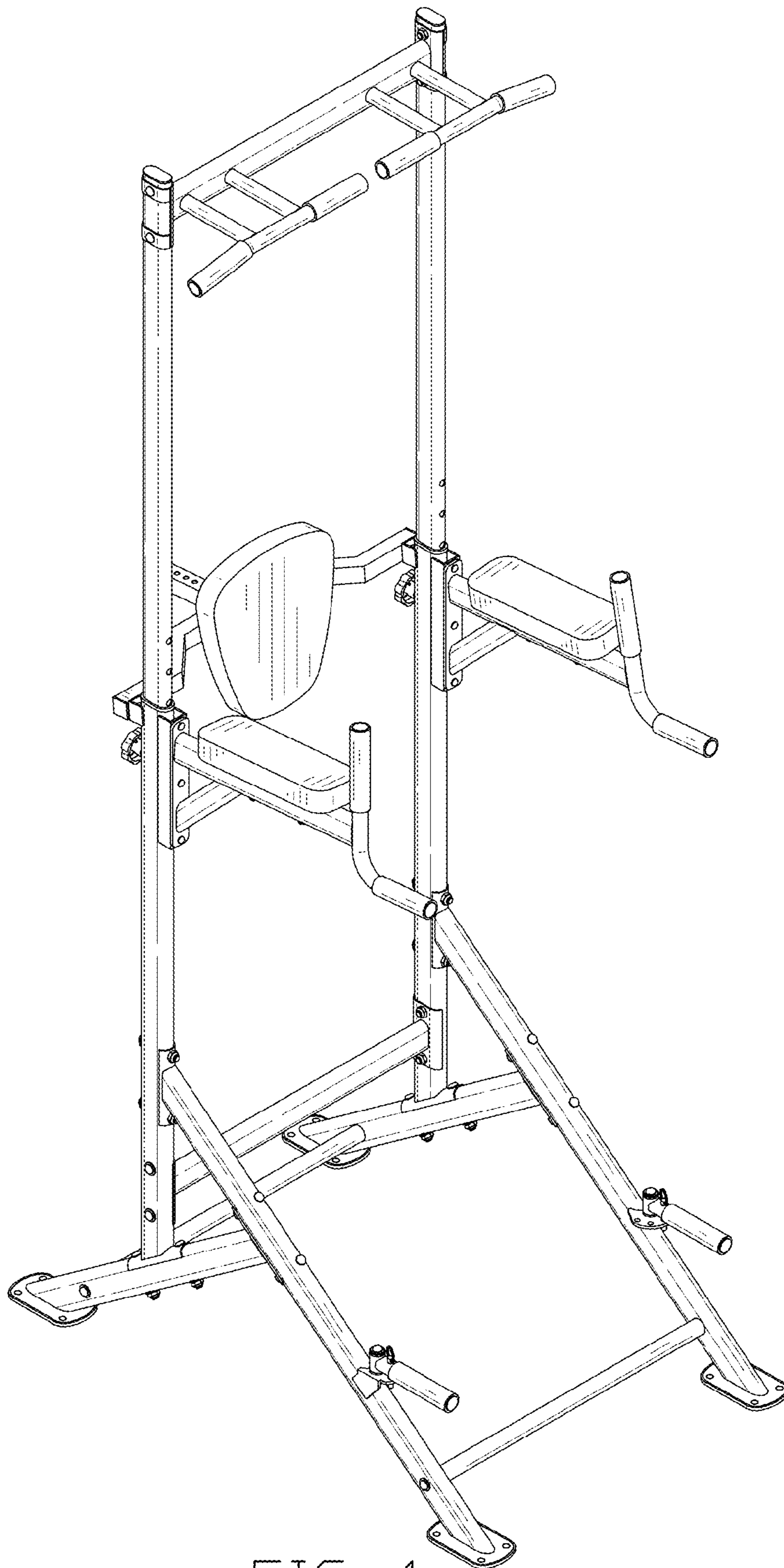


FIG. 1

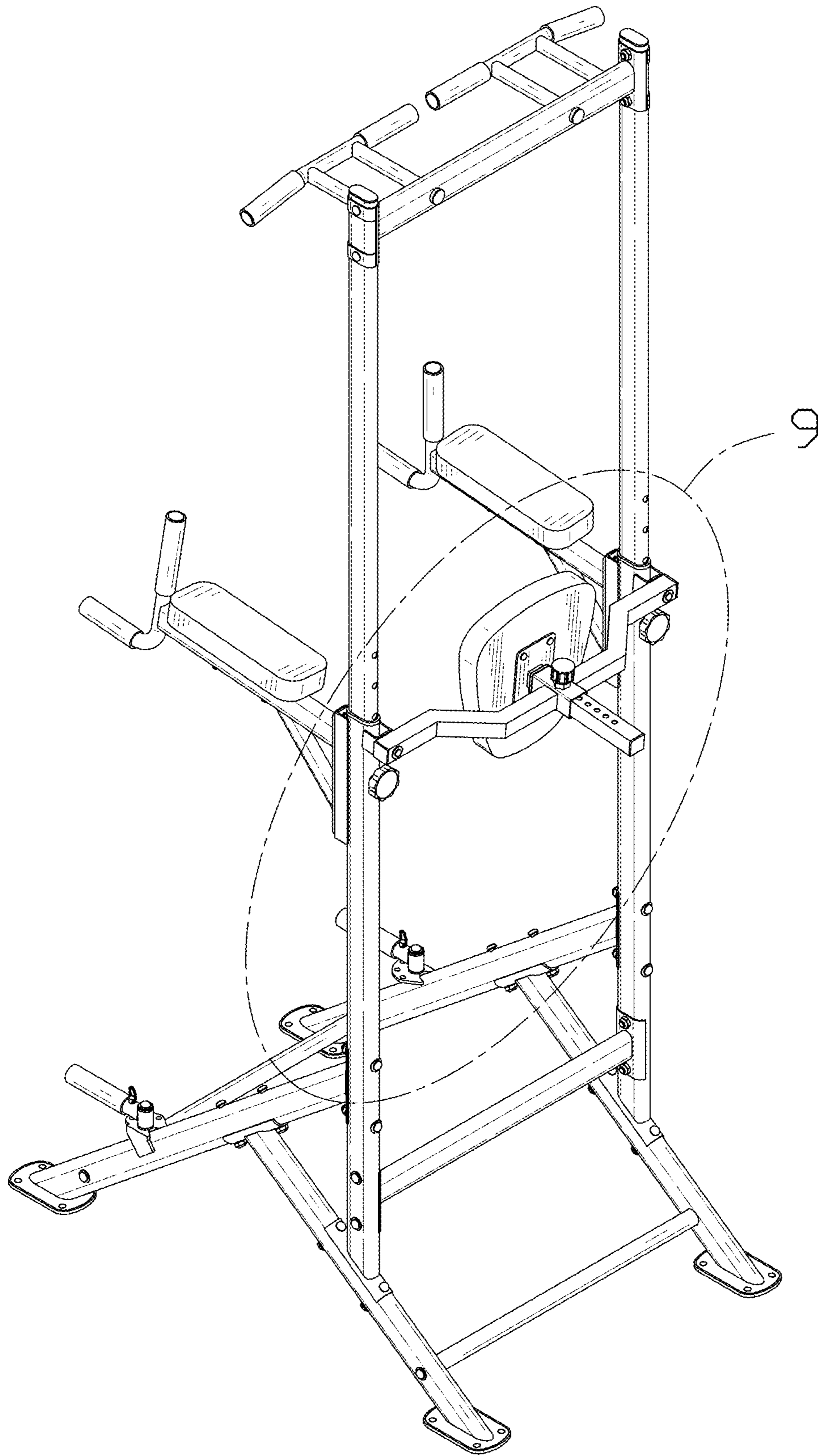


FIG. 2

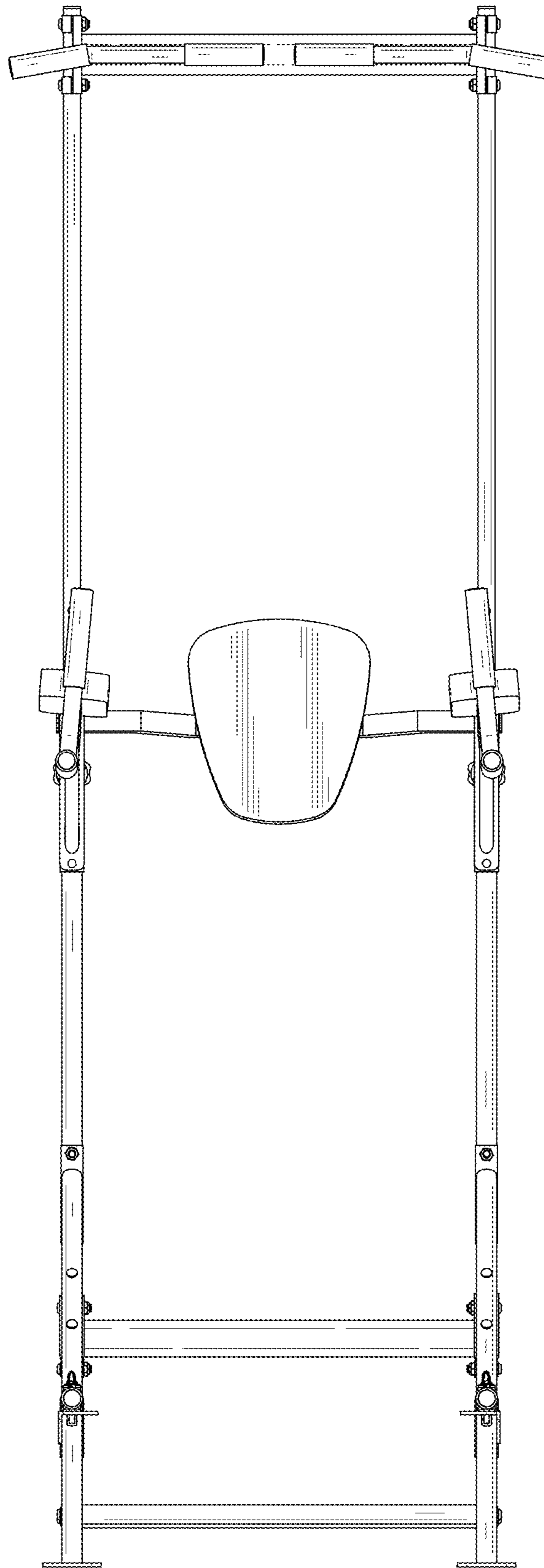


FIG. 3

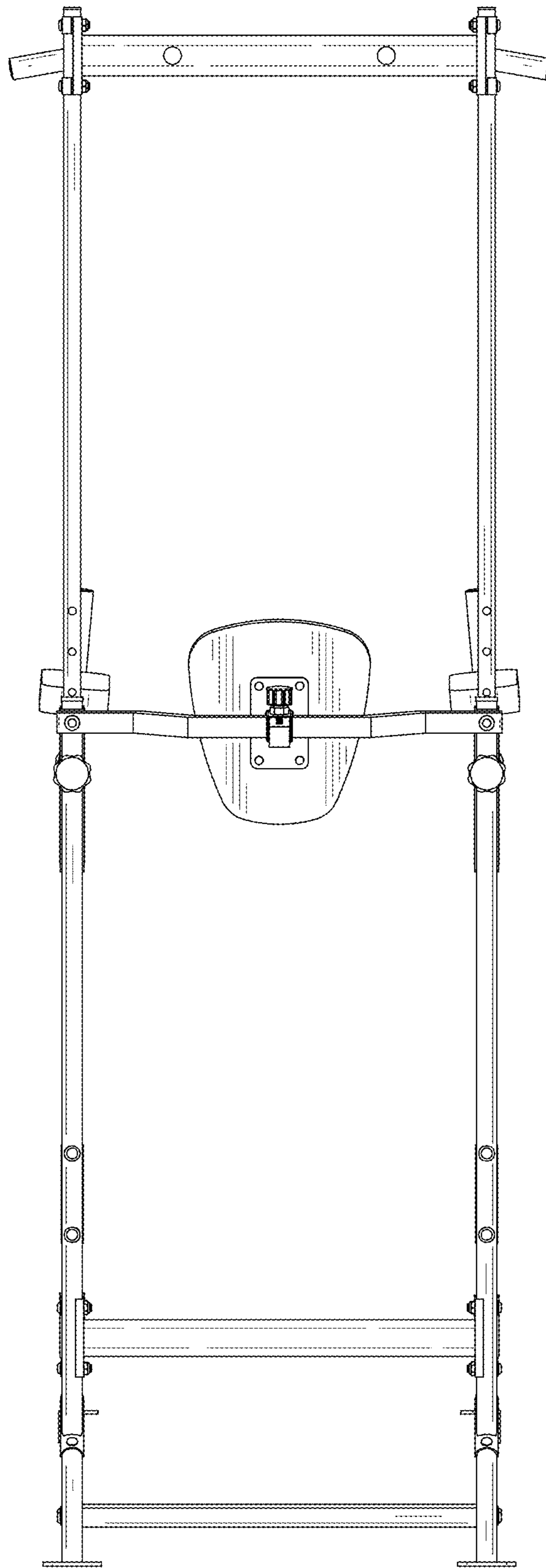


FIG. 4

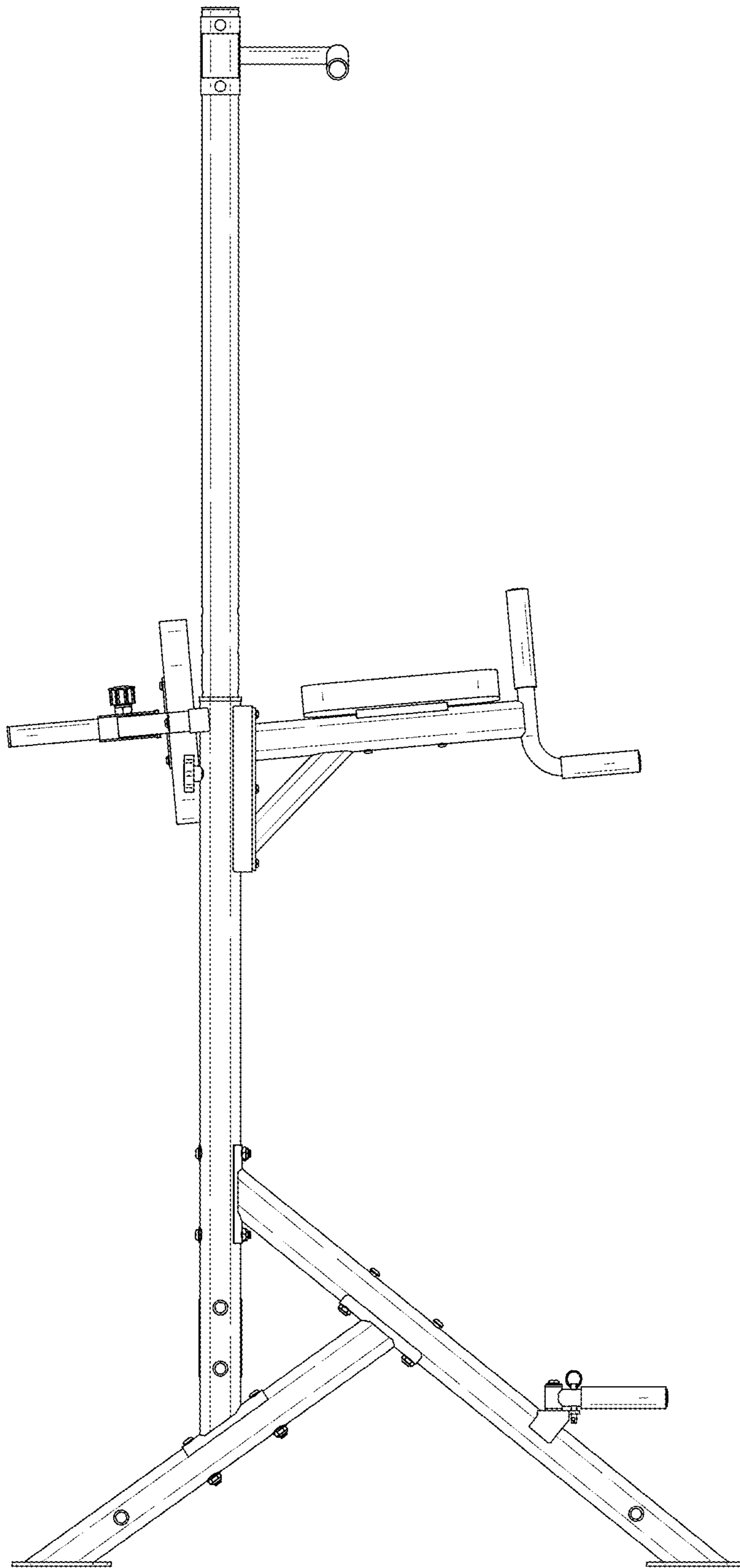


FIG. 5

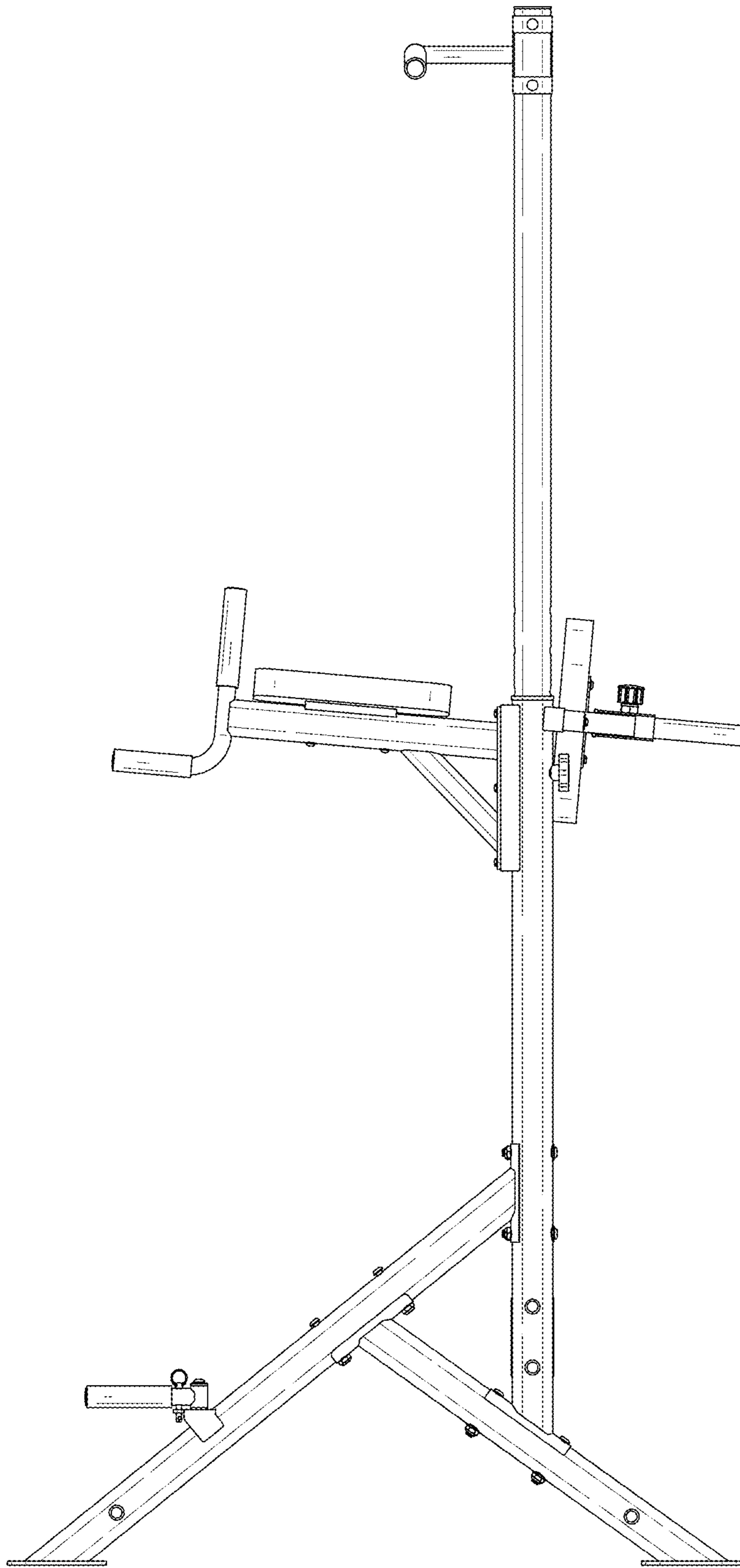


FIG. 6

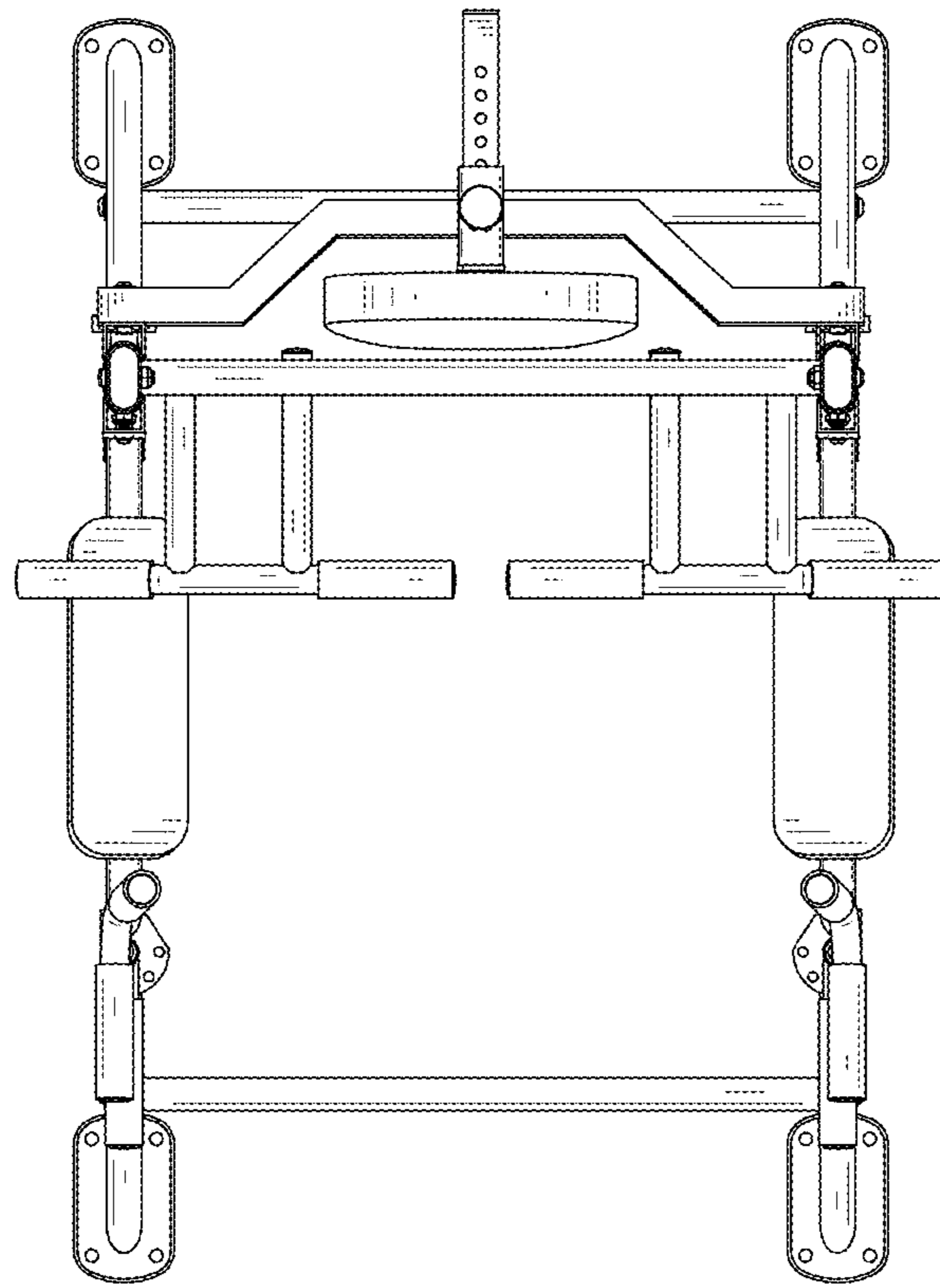


FIG. 7



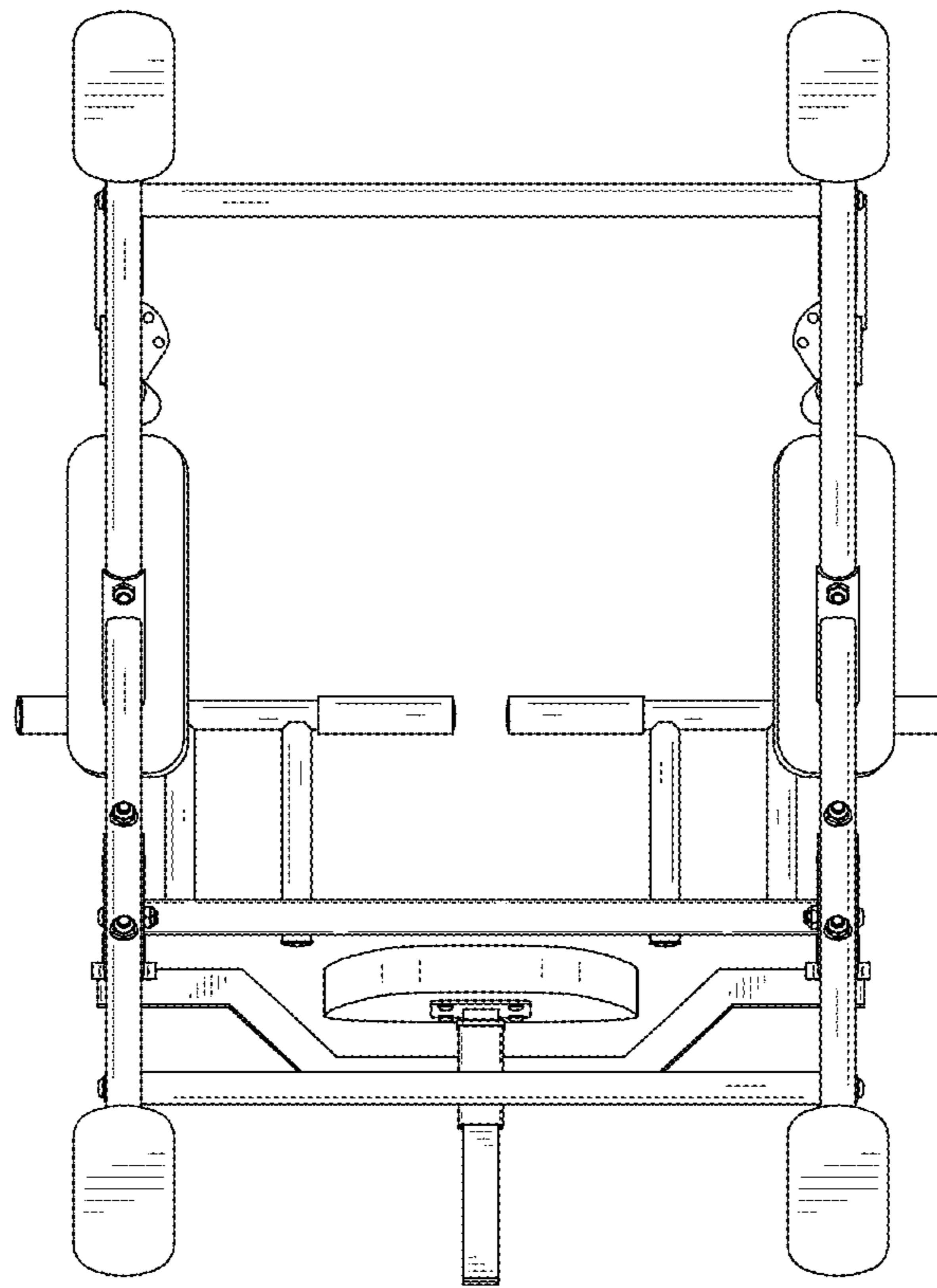


FIG. 8

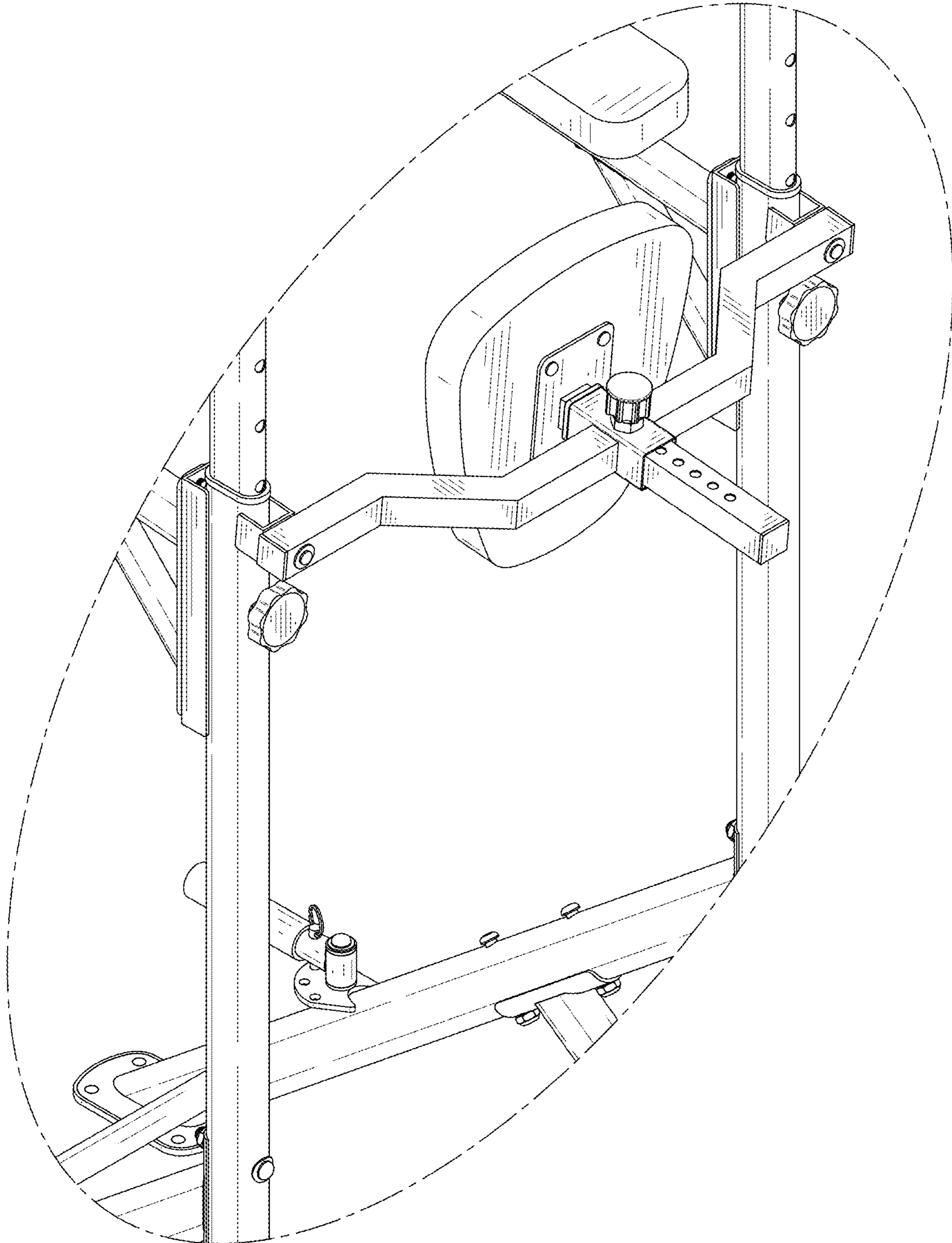


FIG. 9