



US00D940795S

(12) **United States Design Patent**
Sisamos

(10) **Patent No.:** **US D940,795 S**

(45) **Date of Patent:** **** Jan. 11, 2022**

(54) **SNAP-LOCK CONSTRUCTION TOY BEAM UNIT**

(71) Applicant: **Costas Sisamos**, Limassol (CY)

(72) Inventor: **Costas Sisamos**, Limassol (CY)

(**) Term: **15 Years**

(21) Appl. No.: **29/721,600**

(22) Filed: **Jan. 22, 2020**

(51) **LOC (13) Cl.** **21-01**

(52) **U.S. Cl.**
USPC **D21/502**

(58) **Field of Classification Search**
USPC D21/484–505
CPC A63H 33/04; A63H 33/065; A63H 33/08;
A63H 33/082; A63H 33/084; A63H
33/10; A63H 33/105; A63H 33/12
See application file for complete search history.

(56) **References Cited**

U.S. PATENT DOCUMENTS

5,304,086	A *	4/1994	Bolli	A63H 33/042 446/104
D516,635	S *	3/2006	Kim	D21/500
D517,128	S *	3/2006	Kim	D21/503
D612,435	S *	3/2010	Sisamos	A63H 33/101 D21/502
8,157,470	B2 *	4/2012	Wilde	F16B 12/10 403/348
8,568,187	B2 *	10/2013	Norman	A63H 33/084 446/85
D693,416	S *	11/2013	Webb	D21/486
9,839,860	B2 *	12/2017	Rakhsha	A63H 33/04
D812,151	S *	3/2018	Sisamos	D21/501
D825,678	S *	8/2018	Sisamos	D21/502
D902,307	S *	11/2020	Phongsuwan	D19/85
10,905,966	B2 *	2/2021	Sisamos	A63H 33/062

2007/0277459	A1 *	12/2007	Marzetta	A63H 33/101 52/281
2011/0039474	A1 *	2/2011	Bruder	A63H 33/101 446/124
2018/0056207	A1 *	3/2018	Bagley	A63H 33/086
2019/0170173	A1 *	6/2019	Aboud	F16B 5/07
2020/0147509	A1 *	5/2020	Deng	A63H 33/086
2020/0261819	A1 *	8/2020	Sisamos	A63H 17/262

* cited by examiner

Primary Examiner — Cynthia M. Chin

(74) *Attorney, Agent, or Firm* — Eschweiler & Potashnik, LLC

(57) **CLAIM**

The ornamental design for a snap-lock construction toy beam unit, as shown and described.

DESCRIPTION

FIG. 1 illustrates a front, top, and side perspective view of a snap-lock construction toy beam unit according to the present invention.

FIG. 2 illustrates a top elevation view of the snap-lock construction toy beam unit according to FIG. 1.

FIG. 3 illustrates a bottom elevation view of the snap-lock construction toy beam unit according to FIG. 1.

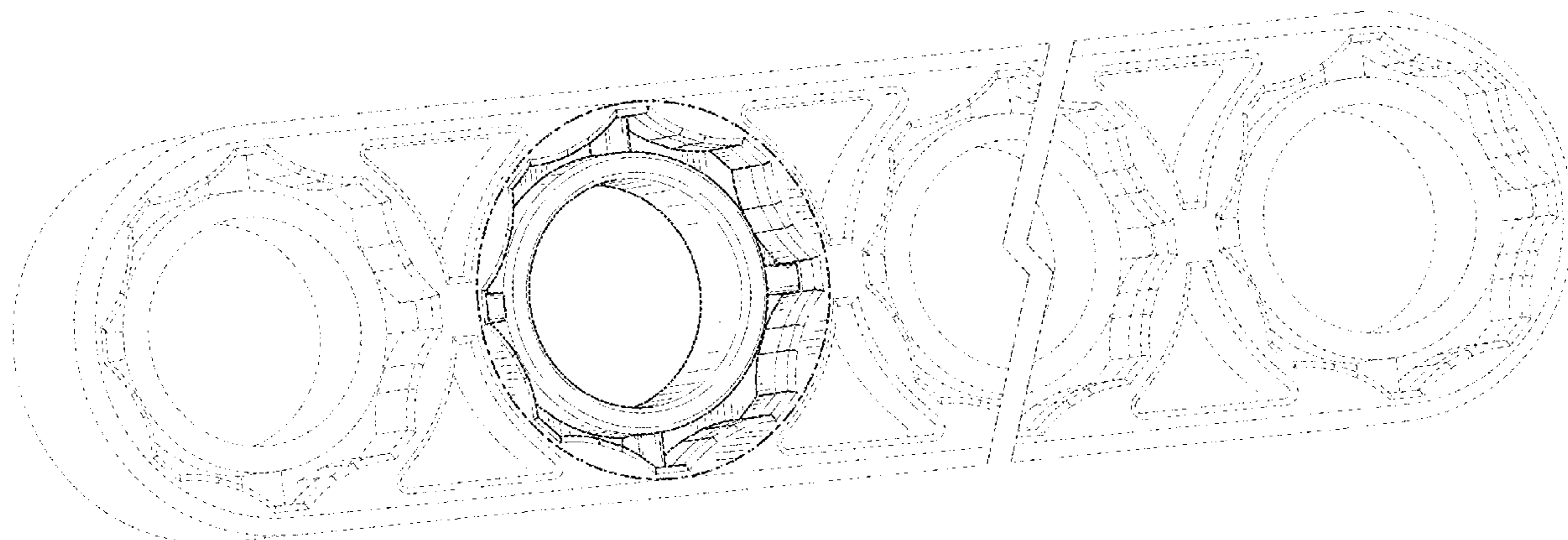
FIG. 4 illustrates a side elevation view of the snap-lock construction toy beam unit according to FIG. 1.

FIG. 5 illustrates a front elevation view of the snap-lock construction toy beam unit according to FIG. 1; and,

FIG. 6 illustrates a cross-sectional side view of the snap-lock construction toy beam unit taken in the direction of line 6-6 in FIG. 2.

The dot-dash broken lines immediately adjacent the shaded areas represent the bounds of the claim and all other broken lines represent portions of the article that form no part of the claimed design. None of the broken lines form a part of the claim.

1 Claim, 3 Drawing Sheets



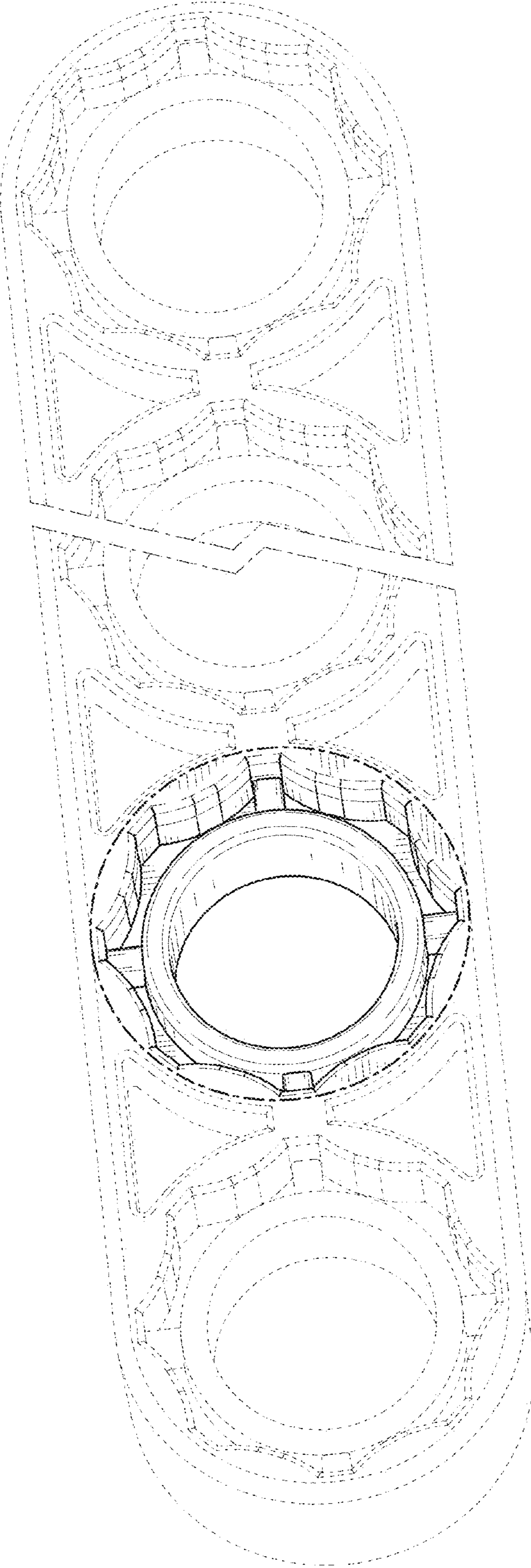


Fig. 1

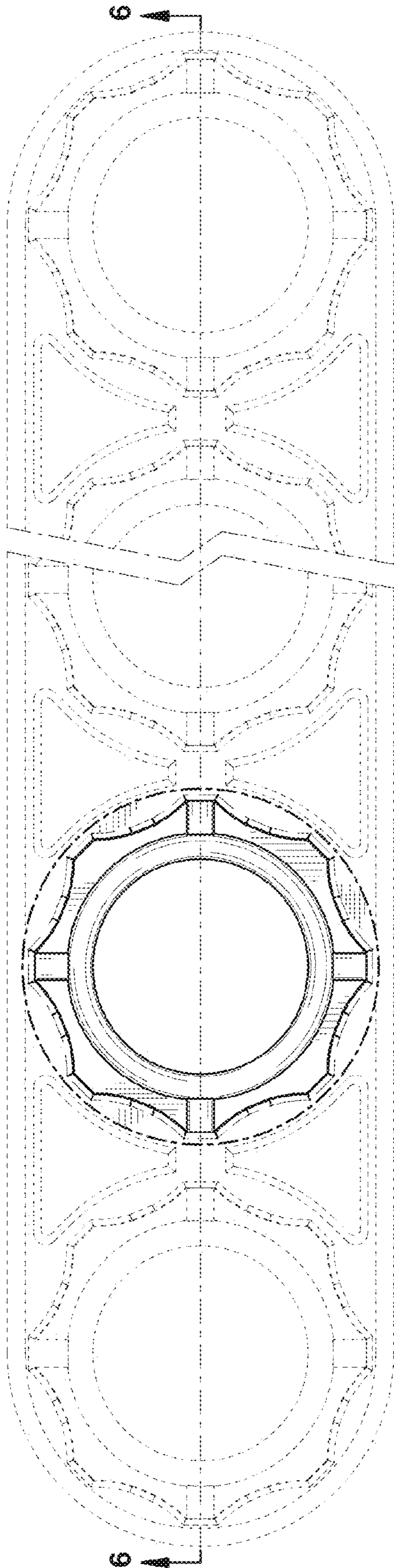


Fig. 2

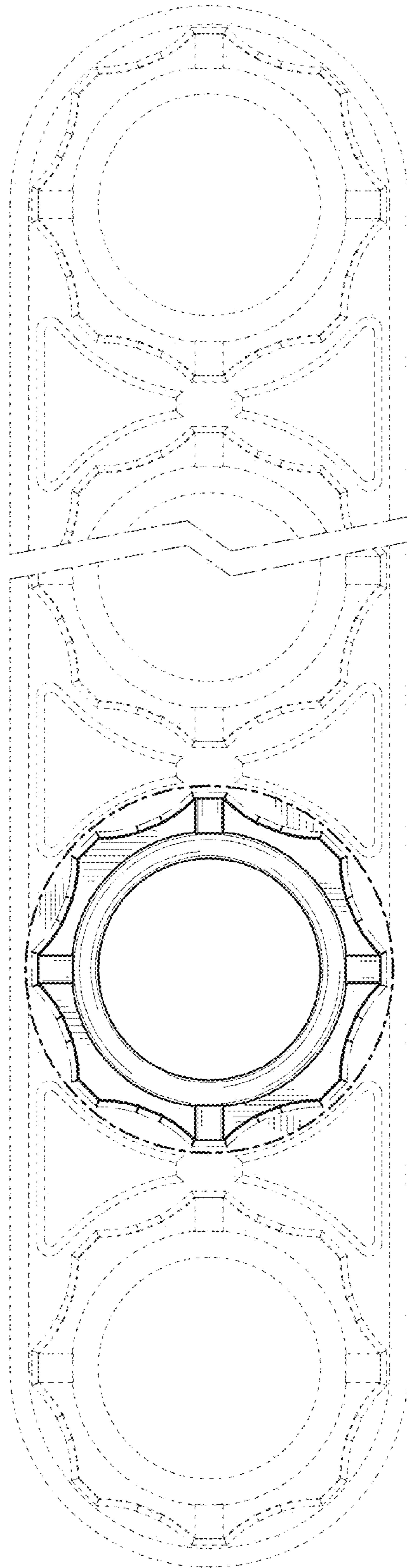


Fig. 3

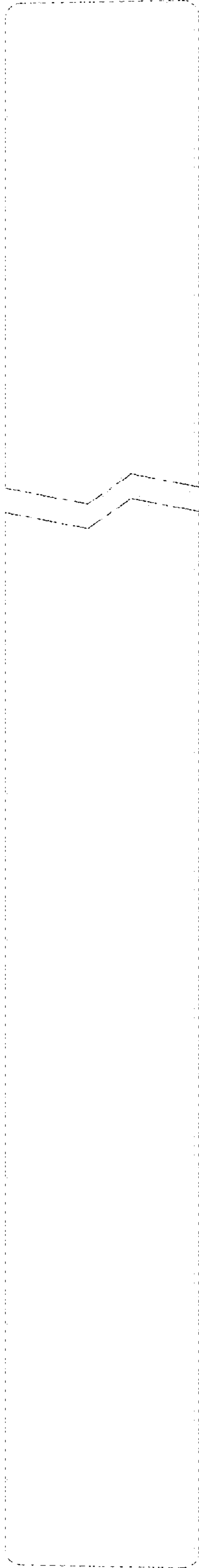


Fig. 4

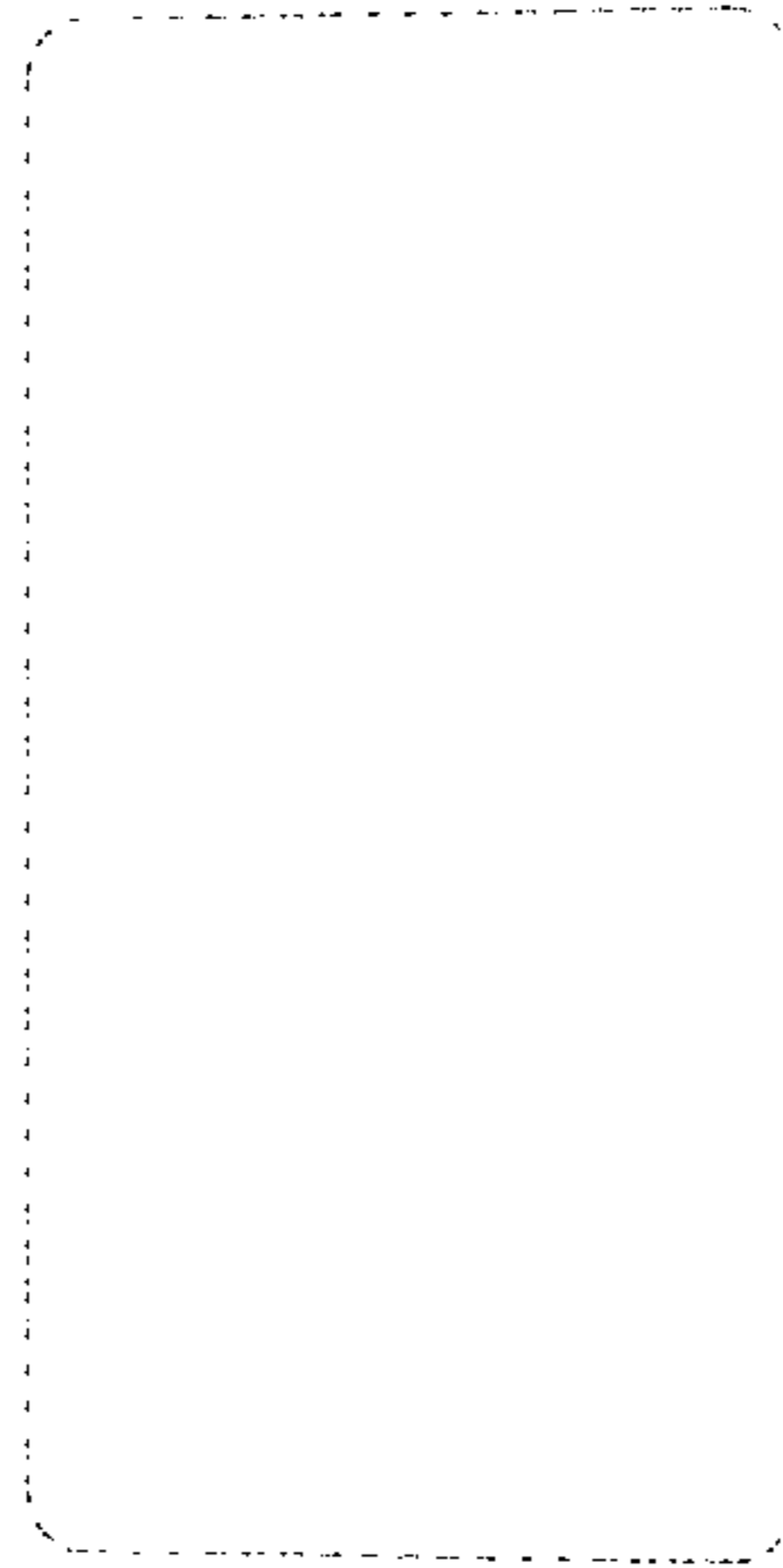


Fig. 5

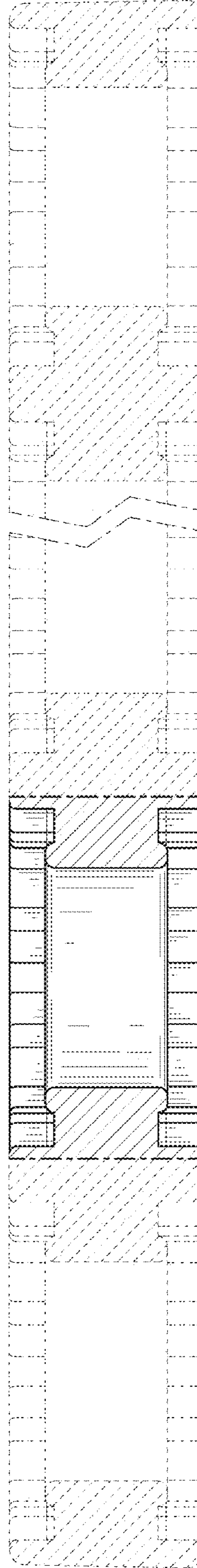


Fig. 6