



US00D940792S

(12) **United States Design Patent** (10) **Patent No.:** **US D940,792 S**
Wu (45) **Date of Patent:** **** Jan. 11, 2022**

(54) **TAG HOLDER**

(71) Applicant: **Kensizer Inc**, Dover, DE (US)

(72) Inventor: **Qiang Wu**, Shenzhen (CN)

(**) Term: **15 Years**

(21) Appl. No.: **29/740,844**

(22) Filed: **Jul. 7, 2020**

(51) **LOC (13) Cl.** **20-03**

(52) **U.S. Cl.**
USPC **D20/43**

(58) **Field of Classification Search**
USPC D6/325, 328; D8/321, 349, 354, 355,
D8/356, 357, 366, 367, 370, 371, 373,
D8/376, 380, 381, 382, 400; D19/20, 86,
D19/90, 91; D20/10, 42-44, 99;
D25/119

CPC G09F 7/16; G09F 2007/122; G09F 13/00;
G09F 13/04; G09F 13/06; G09F 13/18;
G09F 13/22; G09F 13/24; G09F 13/26;
G09F 2013/1895; G09F 15/00; B29C
65/52; B29C 65/56; B23P 19/00; B32B
37/02; B32B 38/00

See application file for complete search history.

(56) **References Cited**

U.S. PATENT DOCUMENTS

D152,598 S * 2/1949 Cronen D6/565
2,717,463 A * 9/1955 Sindler A47J 43/27
40/324
3,057,093 A * 10/1962 Gallo G09F 1/10
40/645
D314,880 S * 2/1991 Rentsch D7/300.2
6,389,744 B1 * 5/2002 Pugh A01G 9/12
211/181.1

D460,716 S * 7/2002 Bowles D11/125
D473,454 S * 4/2003 Goodman D8/370
D492,581 S * 7/2004 Fahy D8/378
D505,846 S * 6/2005 Toma D8/38
D512,745 S * 12/2005 Kaplan D20/32
D515,142 S * 2/2006 Kaplan D20/30
D631,334 S * 1/2011 Goodman D8/367
D640,917 S * 7/2011 Okada D8/382
D751,148 S * 3/2016 Glass D20/22
D768,535 S * 10/2016 Petersen D11/133
D839,245 S * 1/2019 Abraham D14/232
D864,700 S * 10/2019 Chen D8/367
2018/0372285 A1 * 12/2018 Pereira F23D 14/02
2020/0178707 A1 * 6/2020 Alexander A47G 1/0638

* cited by examiner

Primary Examiner — Mary Ann Calabrese

Assistant Examiner — Catherine Ho

(74) *Attorney, Agent, or Firm* — Tsz Lung Yeung

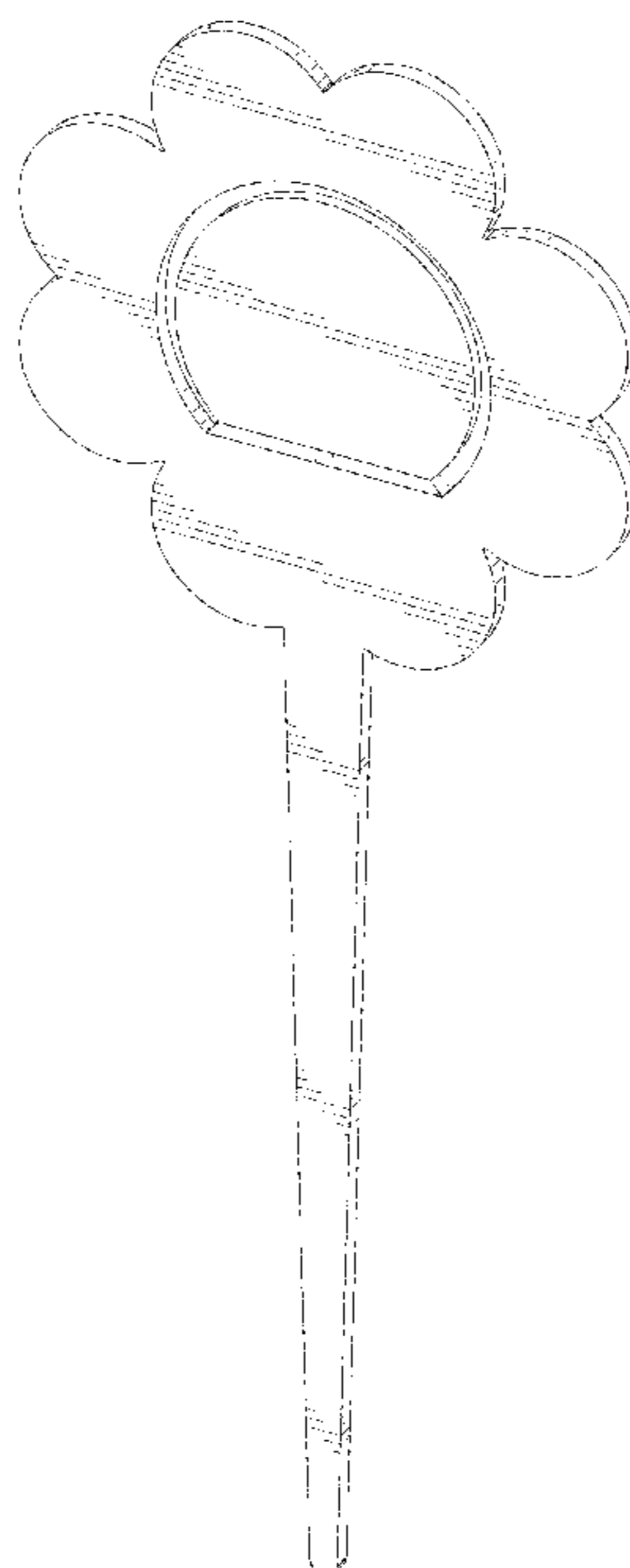
(57) **CLAIM**

The ornamental design for a tag holder, as shown and described.

DESCRIPTION

FIG. 1 is a perspective view of a tag holder showing my new design;
FIG. 2 is a rear perspective view thereof;
FIG. 3 is a front view thereof;
FIG. 4 is a rear view thereof;
FIG. 5 is a left side view thereof;
FIG. 6 is a right side view thereof;
FIG. 7 is a top view thereof;
FIG. 8 is a bottom view thereof; and,
FIG. 9 is a cross-sectional view taken along lines 9-9 in FIG. 3.

1 Claim, 9 Drawing Sheets



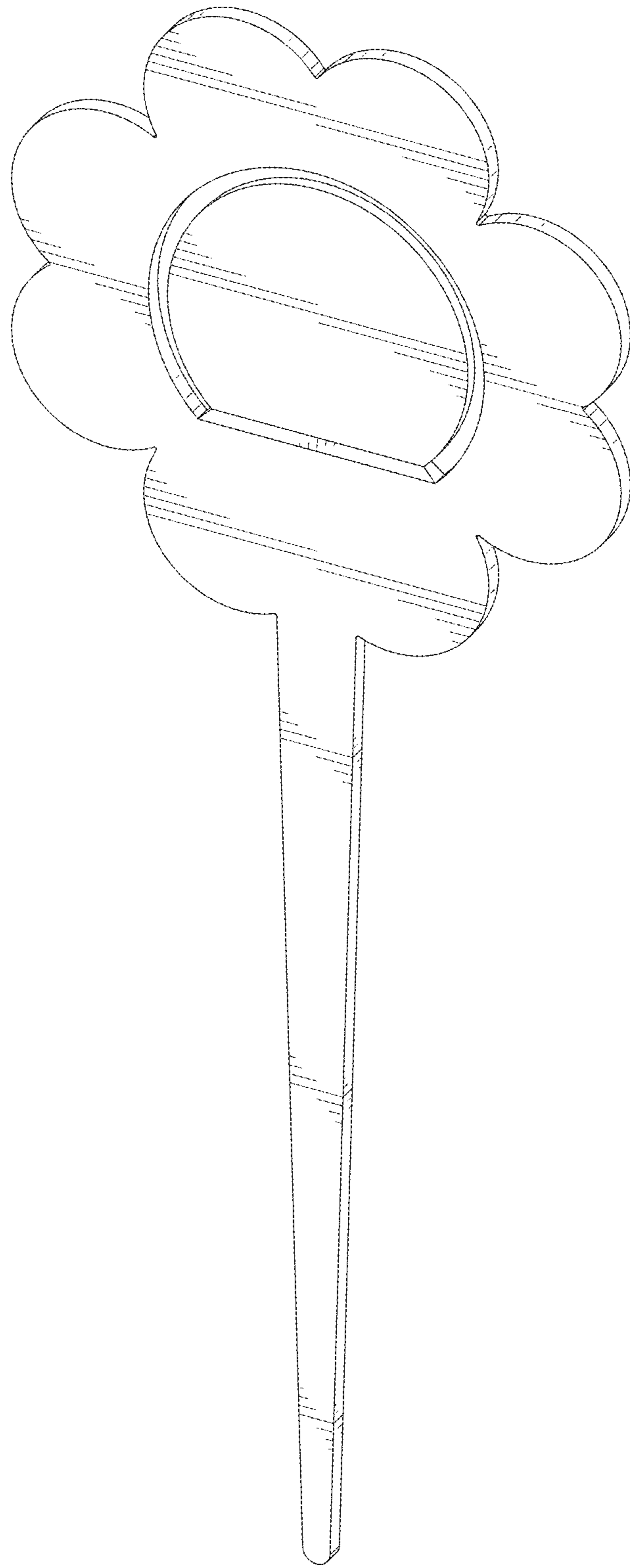


FIG.1

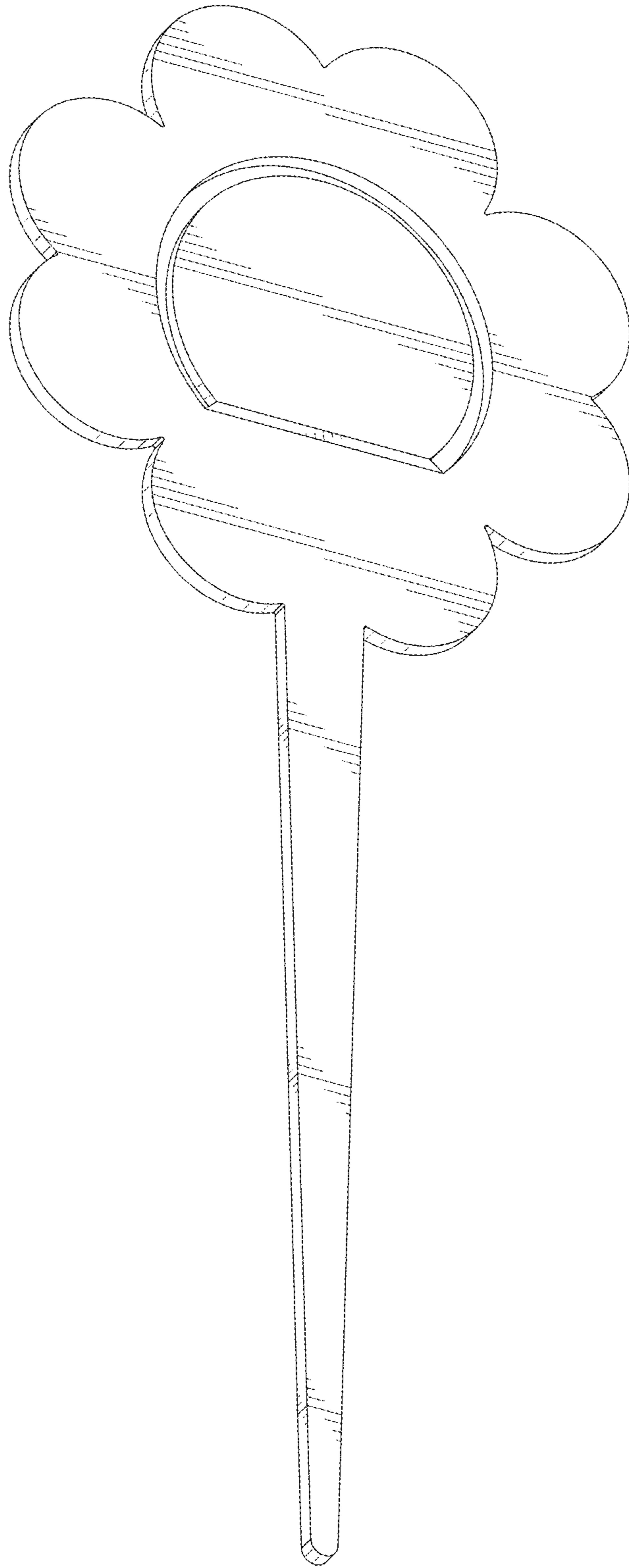


FIG.2

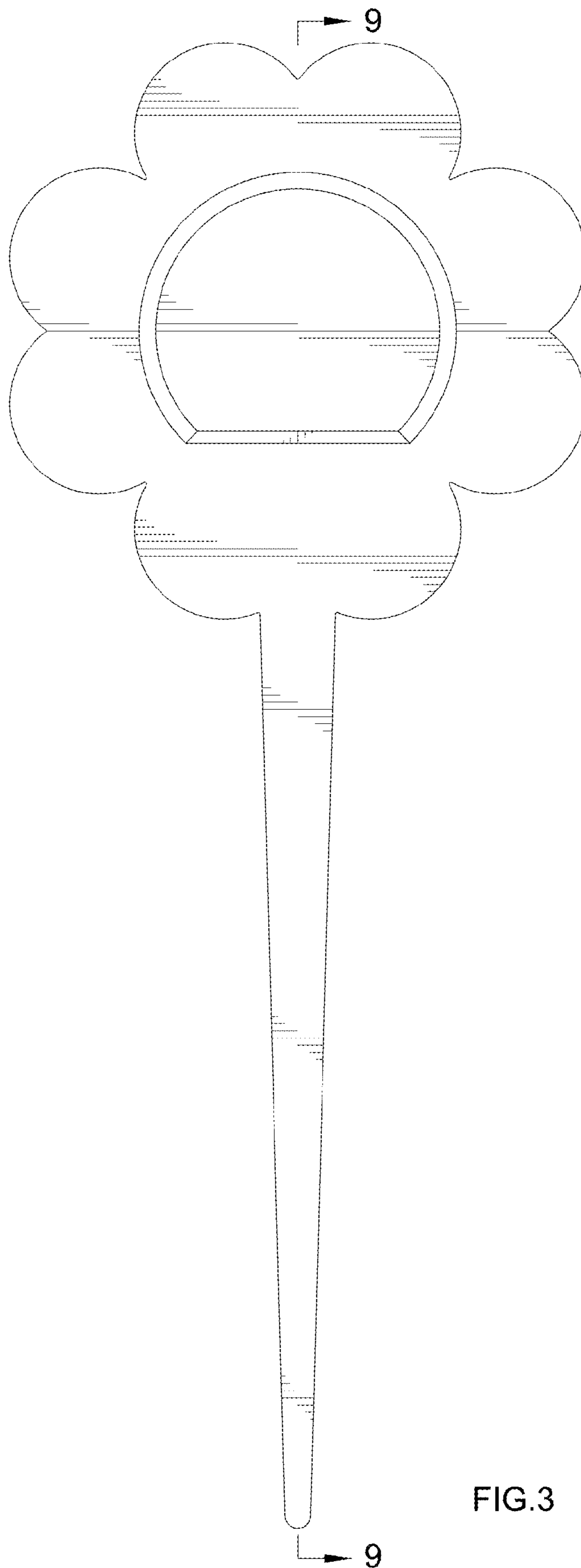


FIG. 3

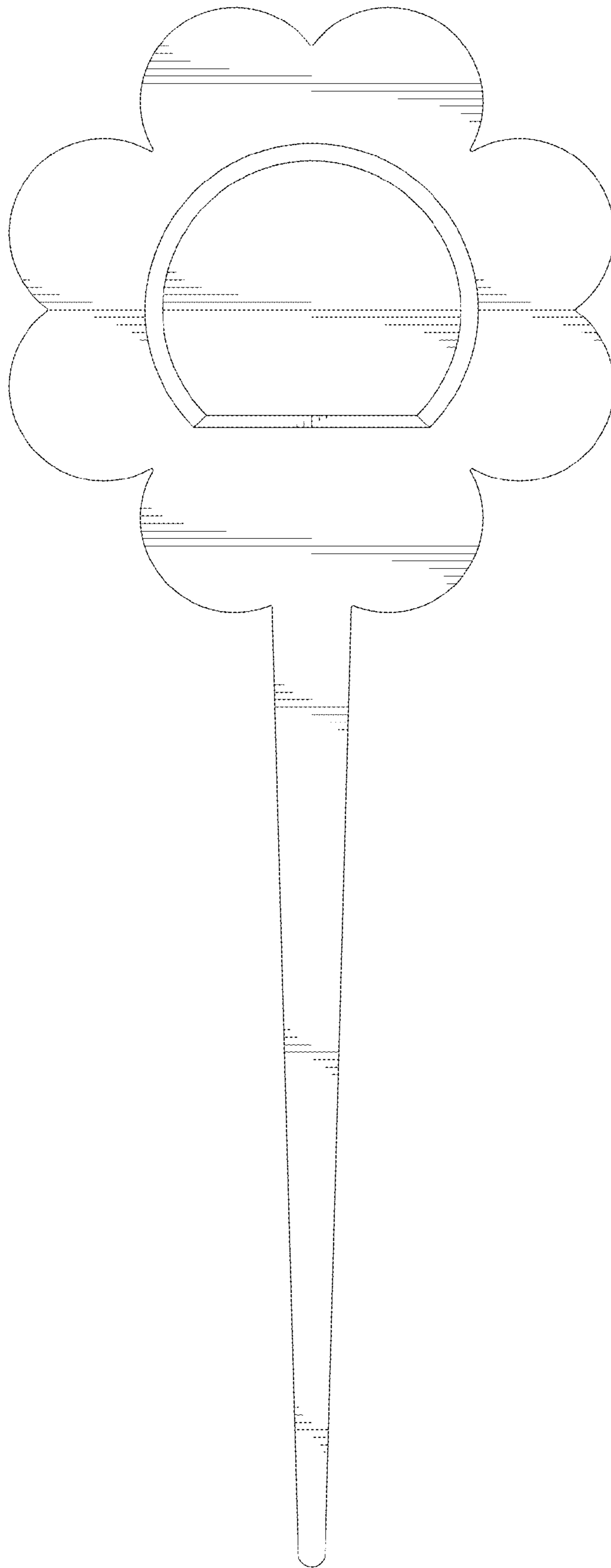


FIG. 4

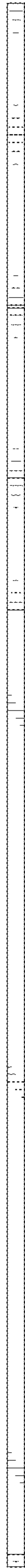


FIG.5

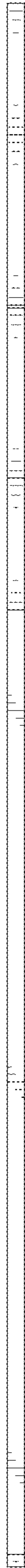


FIG.6

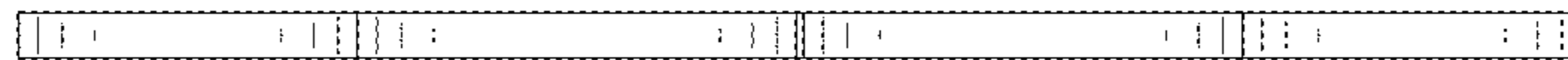


FIG.7



FIG.8



FIG.9