



US00D940787S

(12) **United States Design Patent**
Luo et al.

(10) **Patent No.:** **US D940,787 S**
(45) **Date of Patent:** **** Jan. 11, 2022**

(54) **SMART PAYMENT TERMINAL**

(71) Applicant: **PAX COMPUTER TECHNOLOGY (SHENZHEN) CO., LTD.**, Shenzhen (CN)

(72) Inventors: **Shaowen Luo**, Shenzhen (CN); **Gang Chen**, Shenzhen (CN); **Wei Qin**, Shenzhen (CN)

(73) Assignee: **PAX COMPUTER TECHNOLOGY (SHENZHEN) CO., LTD.**, Shenzhen (CN)

(**) Term: **15 Years**

(21) Appl. No.: **29/730,417**

(22) Filed: **Apr. 3, 2020**

(30) **Foreign Application Priority Data**

Dec. 20, 2019 (CN) 201930715100.6

(51) **LOC (13) Cl.** **18-01**

(52) **U.S. Cl.**
USPC **D18/4.6**

(58) **Field of Classification Search**
USPC D18/4.4, 4.5, 4.6, 2, 11, 50, 14, 19-21, D18/54, 54.1, 99; D10/46, 61, 62, 70, D10/104.1, 104.2, 106.2, 106.6, 65, 66; D20/1, 8, 9; D14/496, 299, 338, 339, D14/341, 346, 383, 385, 386, 387, 440, D14/507, 137, 138 R, 138 AA, 138 G; D99/28, 43

CPC H04W 8/22; H04W 52/0225; H04W 52/0254; G06Q 20/00; G06Q 20/08; G06Q 20/20; G06Q 20/204; G07F 7/0873; G07F 7/088; G07F 7/0886; G07F 7/0893; G07F 7/025

See application file for complete search history.

(56) **References Cited**

U.S. PATENT DOCUMENTS

D338,452 S *	8/1993	Allgeier	D14/374
D359,951 S *	7/1995	Nair	D14/387
D364,386 S *	11/1995	Bramlett	D14/387
D367,044 S *	2/1996	Arakaki	D18/4.6
D377,167 S *	1/1997	High, Sr.	D14/387
D379,825 S *	6/1997	Droege	D18/4.6
D381,675 S *	7/1997	Droege	D18/4.6
D393,479 S *	4/1998	Droege	D18/4.6
D410,441 S *	6/1999	Lin	D14/314

(Continued)

FOREIGN PATENT DOCUMENTS

CN	209328152 U *	8/2019
CN	209710581 U *	11/2019

OTHER PUBLICATIONS

PAX A30. (online video) 1 pg. posted Aug. 3, 2019. [retrieved Oct. 22, 2021] <https://vimeo.com/351743930>.*

Primary Examiner — Marie D. Fast Horse

(74) *Attorney, Agent, or Firm* — Cantor Colburn LLP

(57) **CLAIM**

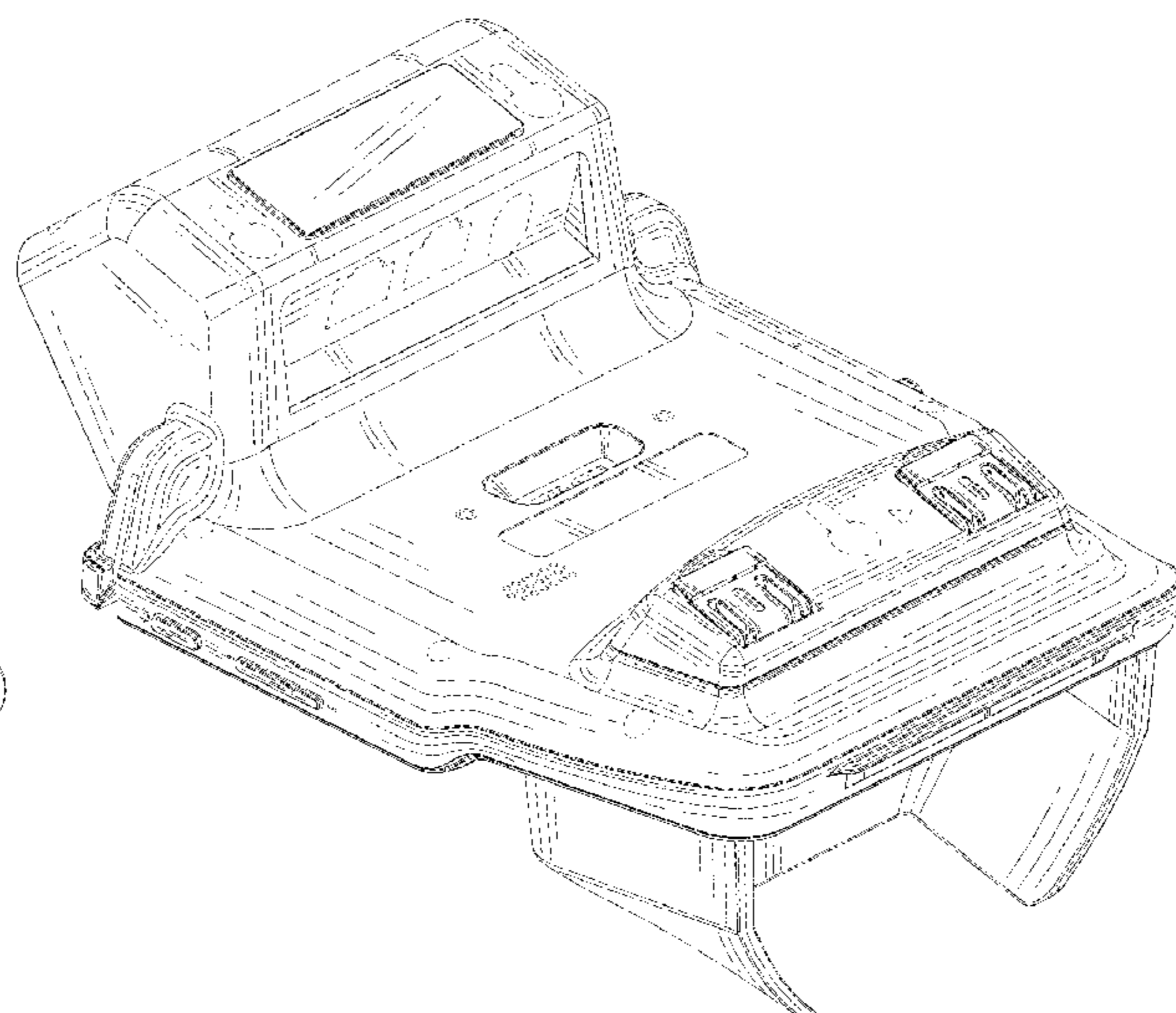
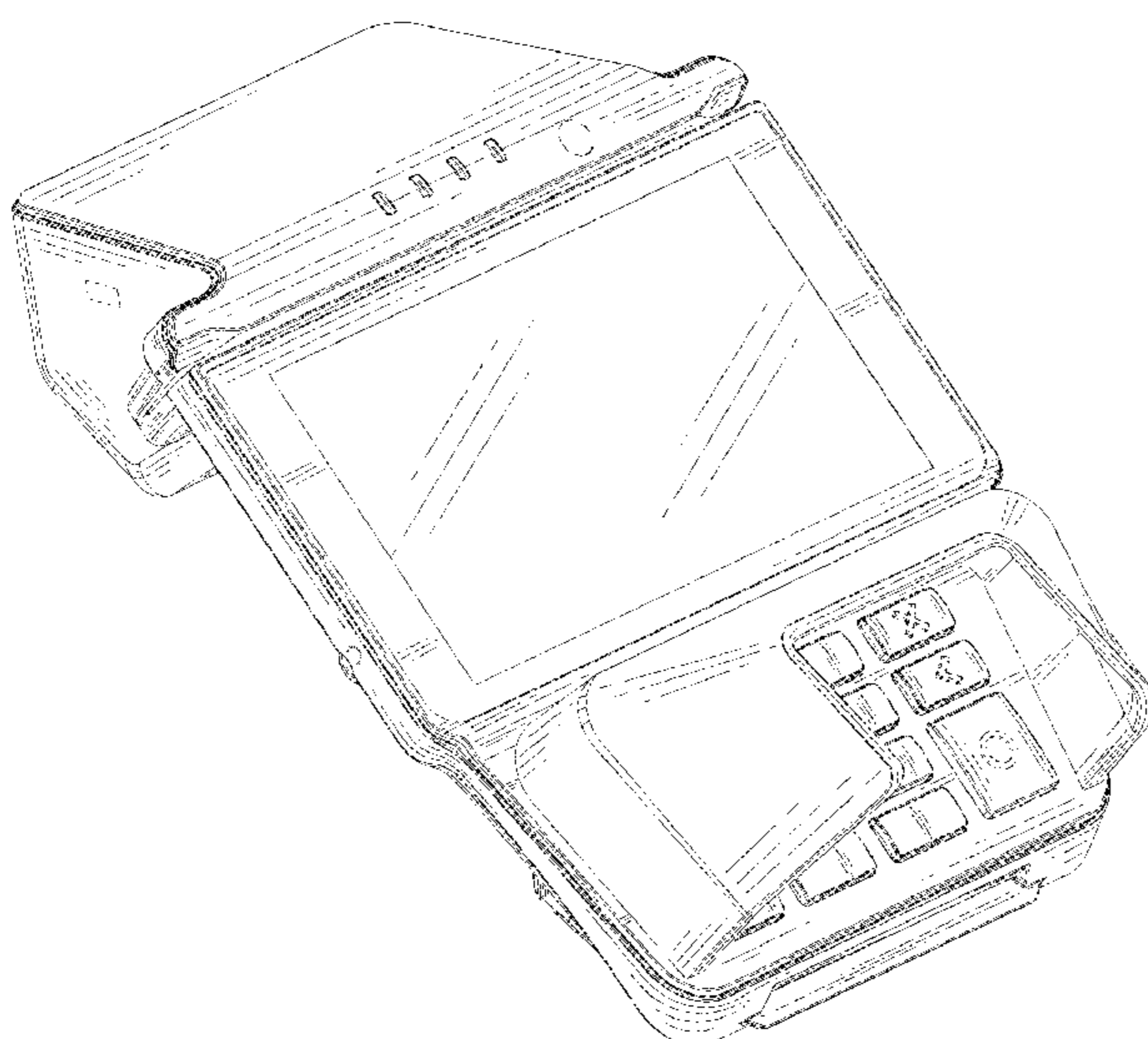
The ornamental design for a “smart payment terminal”, as shown and described.

DESCRIPTION

FIG. 1 is a front perspective view of a smart payment terminal;
FIG. 2 is a rear perspective view thereof;
FIG. 3 is a front view thereof;
FIG. 4 is a rear view thereof;
FIG. 5 is a left side view thereof;
FIG. 6 is a right side view thereof;
FIG. 7 is a top view thereof; and,
FIG. 8 is a bottom view thereof.

The broken lines in the figures depict portions of the smart payment terminal that form no part of the claimed design.

1 Claim, 8 Drawing Sheets



(56)

References Cited

U.S. PATENT DOCUMENTS

D414,163 S * 9/1999 Hesselbach D14/387
 D447,136 S * 8/2001 Groves D14/336
 D483,390 S * 12/2003 LaPierre D16/235
 D504,147 S * 4/2005 Slinckx D18/4.6
 D528,146 S * 9/2006 Fitch D18/4.4
 D542,791 S * 5/2007 Fitch D14/385
 D554,694 S * 11/2007 Slinckx D18/4.4
 D569,899 S * 5/2008 Dahl D18/4.6
 D570,402 S * 6/2008 Henry D18/4.6
 D589,048 S * 3/2009 Nossek D14/455
 D621,834 S * 8/2010 Kinno D14/383
 D762,766 S * 8/2016 Bedier D18/4.4
 D781,736 S * 3/2017 Friedli D10/108
 D791,223 S * 7/2017 Blanc D18/4.6
 D810,817 S * 2/2018 Wang D18/4.6
 D814,559 S * 4/2018 Oross D18/4.4
 9,977,511 B2 * 5/2018 Wang G07F 7/02
 9,990,616 B2 * 6/2018 Wang G06Q 20/20
 D823,935 S * 7/2018 Wang D18/4.6

D851,697 S * 6/2019 Qiu D18/4.6
 D909,469 S * 2/2021 Watanabe D18/4.6
 D912,725 S * 3/2021 Luo D18/4.6
 D915,504 S * 4/2021 Wang D18/4.6
 D916,180 S * 4/2021 Luo D18/4.6
 D917,611 S * 4/2021 Luo D18/4.6
 D919,699 S * 5/2021 Fuhs D18/4.6
 2003/0132294 A1 * 7/2003 Gomez G06Q 20/00
 2006/0181515 A1 * 8/2006 Fletcher G06F 3/04886
 2012/0018288 A1 * 1/2012 Rollet H01H 13/705
 2013/0225075 A1 * 8/2013 Schmid H04B 15/02
 2014/0347000 A1 * 11/2014 Hamann G06F 1/1626
 2016/0335037 A1 * 11/2016 Baranowski G06F 3/1243
 2018/0374070 A1 * 12/2018 Bedier G06Q 20/085
 2019/0012491 A1 * 1/2019 Su G06Q 20/382
 2019/0251802 A1 * 8/2019 Luo G06Q 20/204

* cited by examiner

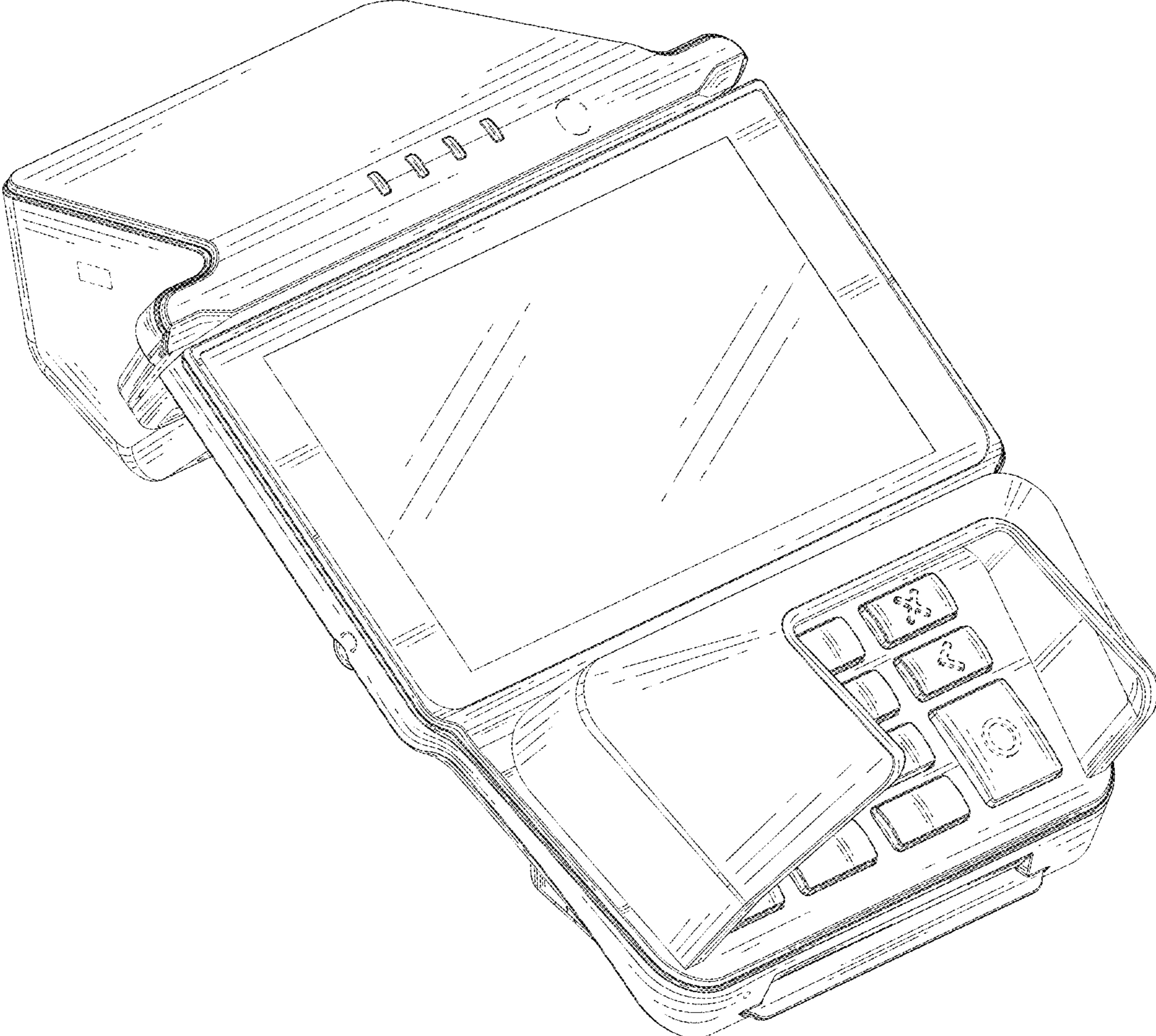


FIG. 1

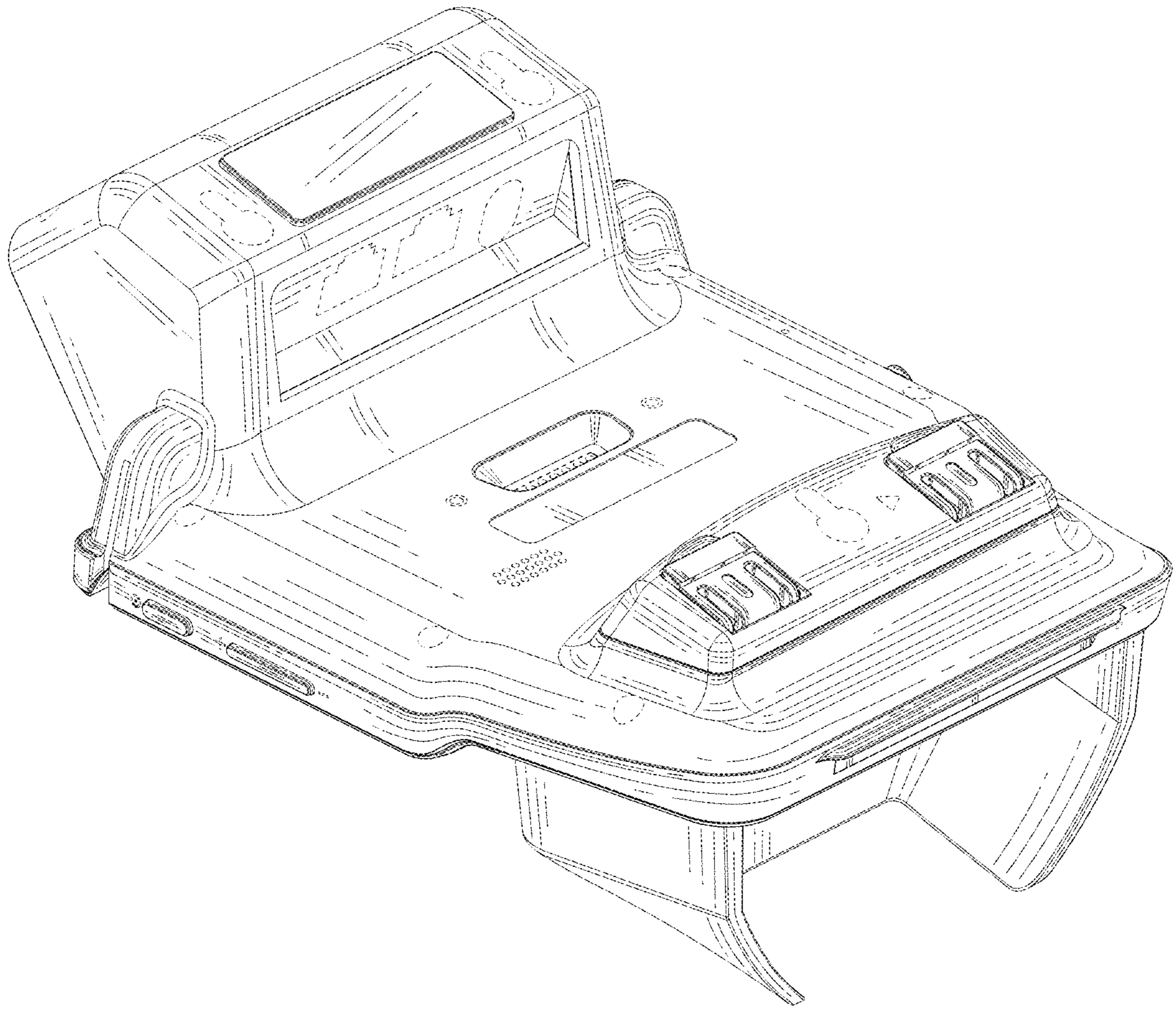


FIG. 2

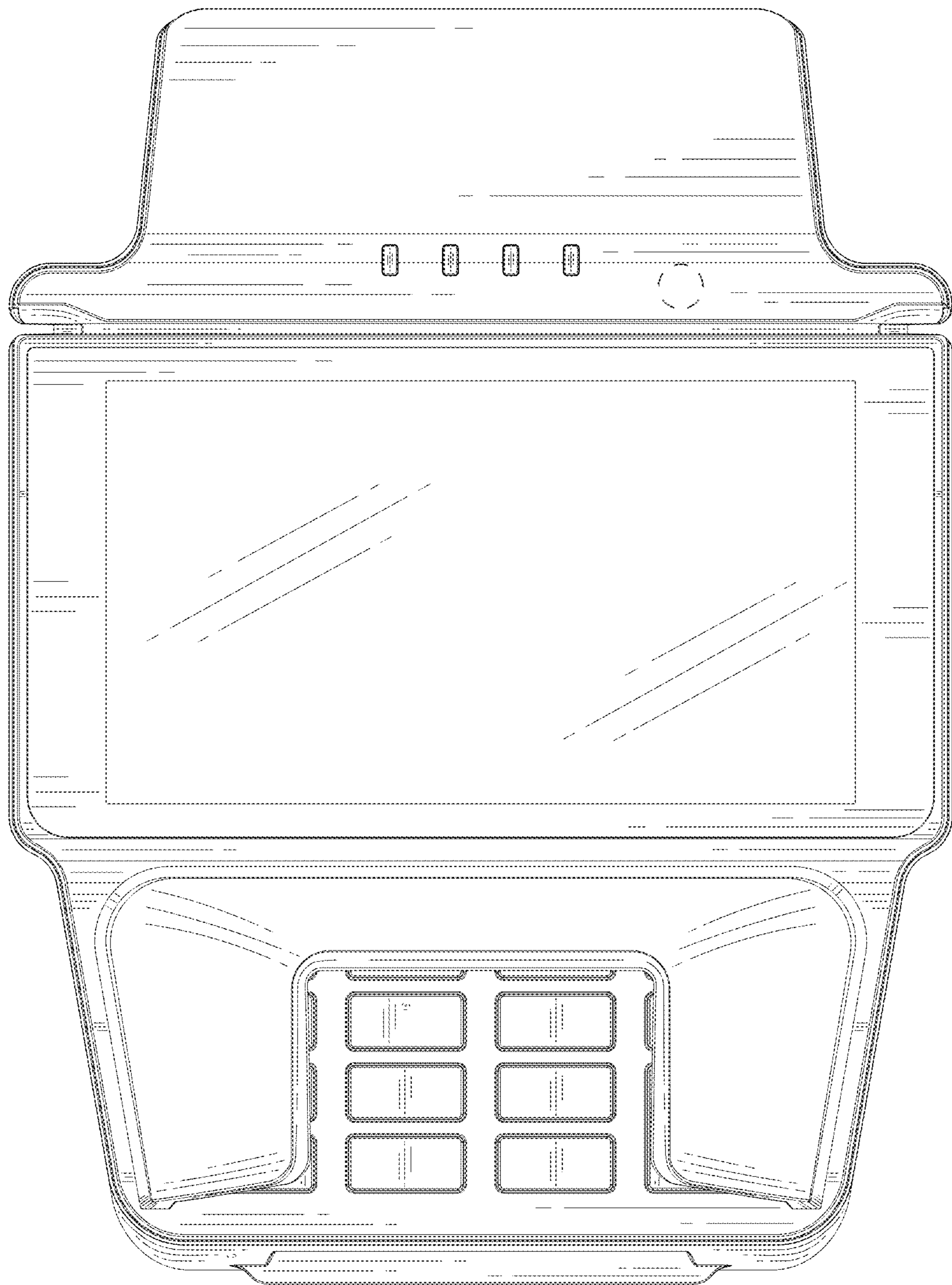


FIG. 3

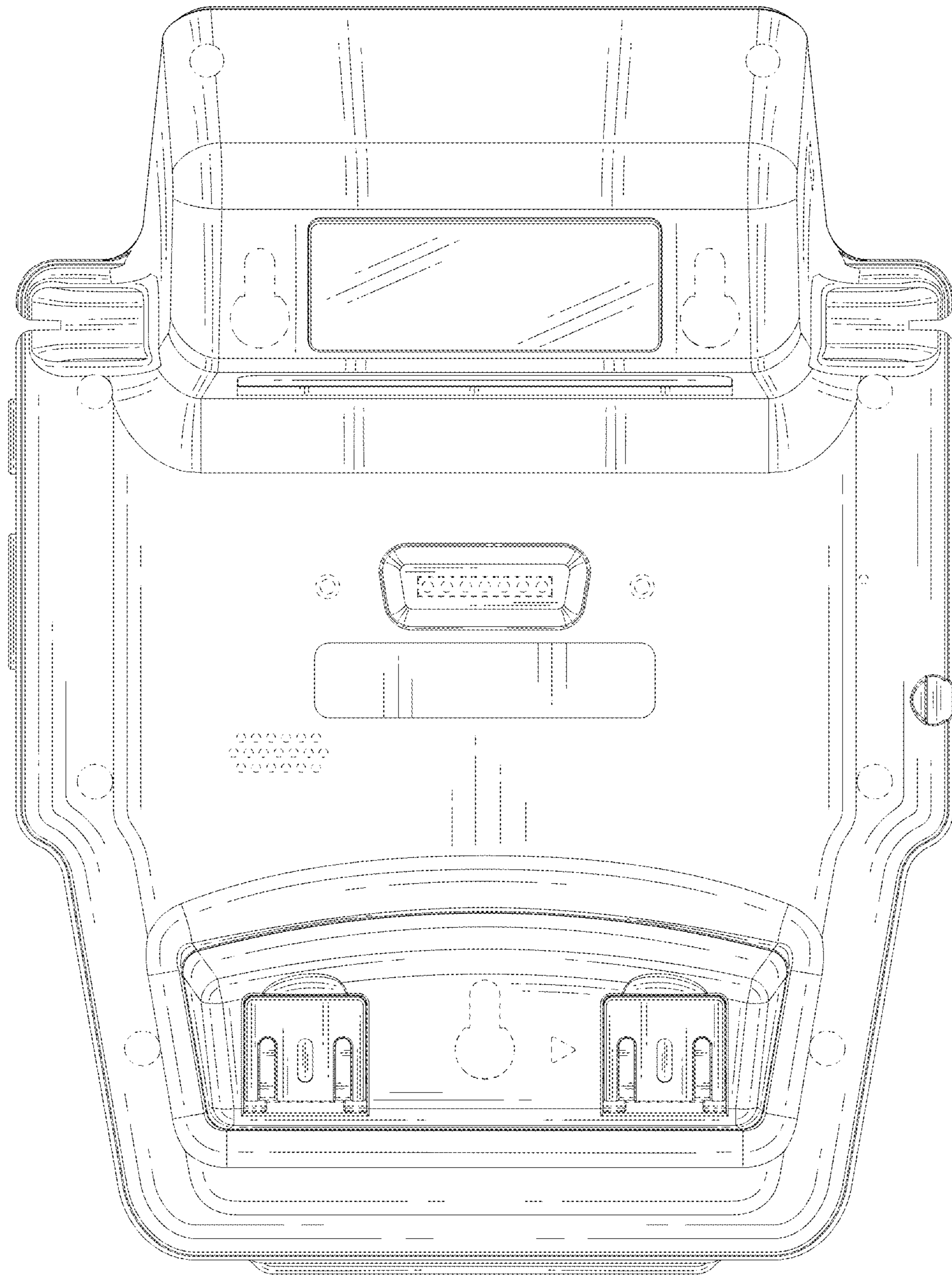


FIG. 4

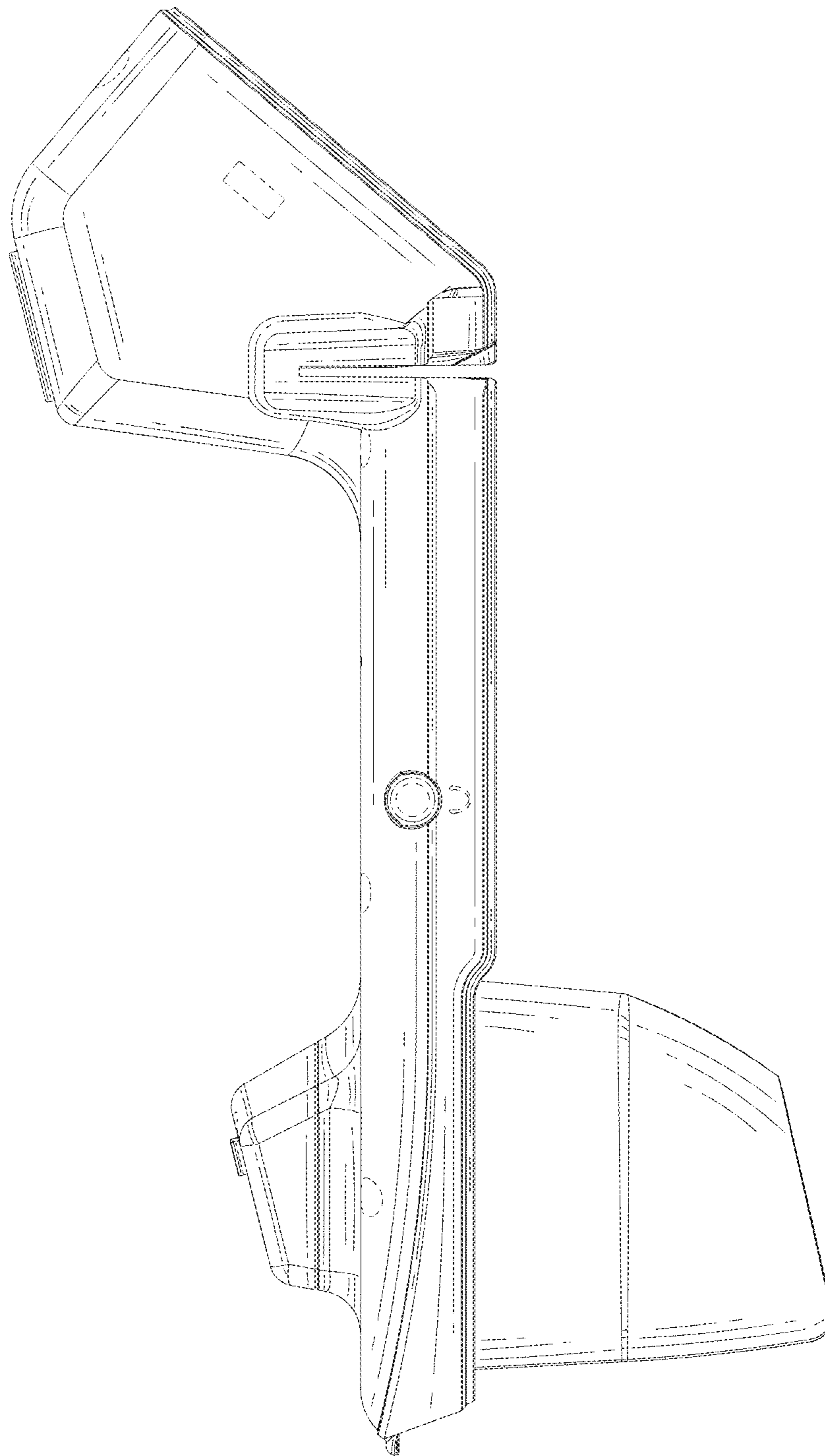


FIG. 5

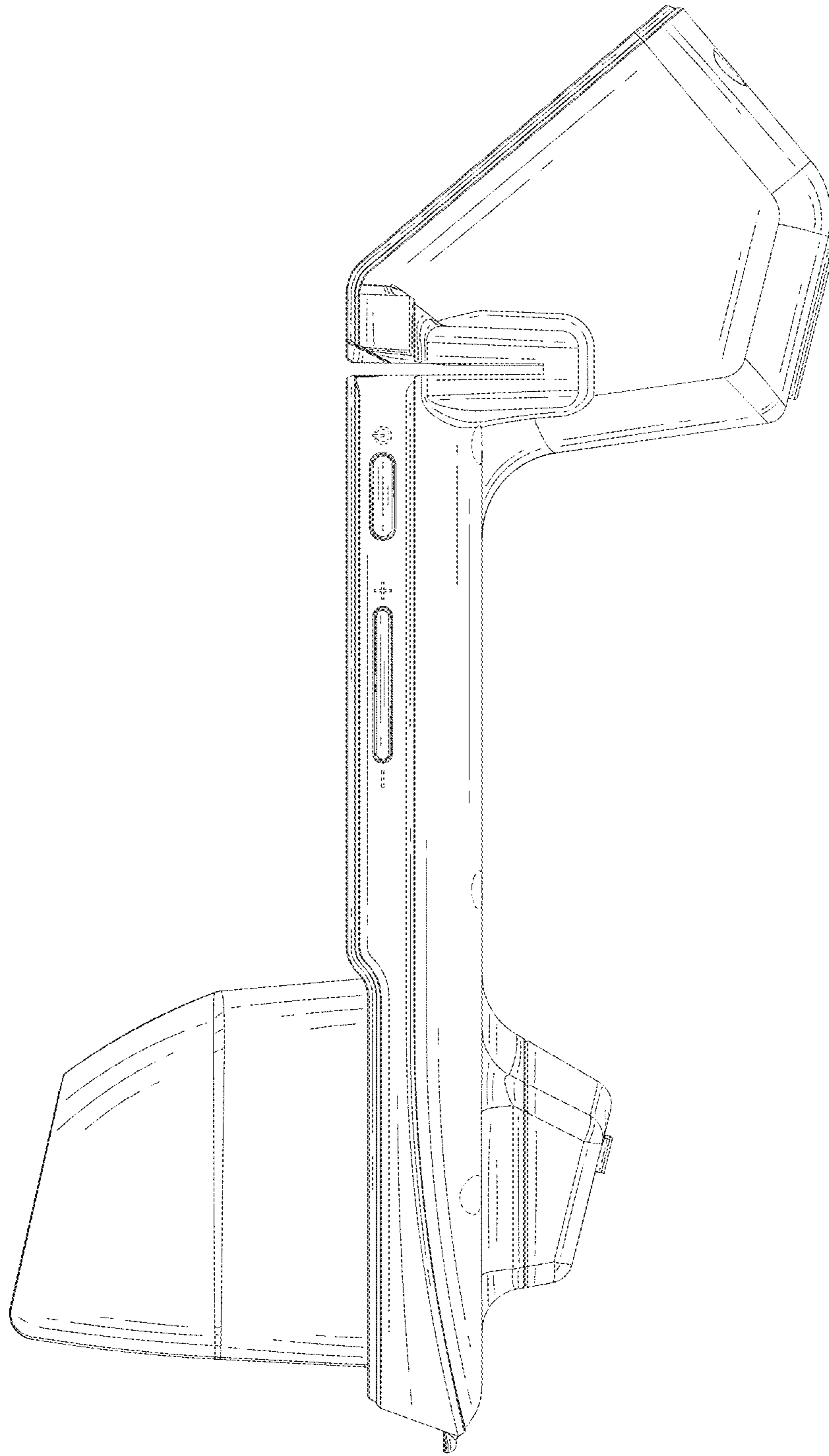


FIG. 6

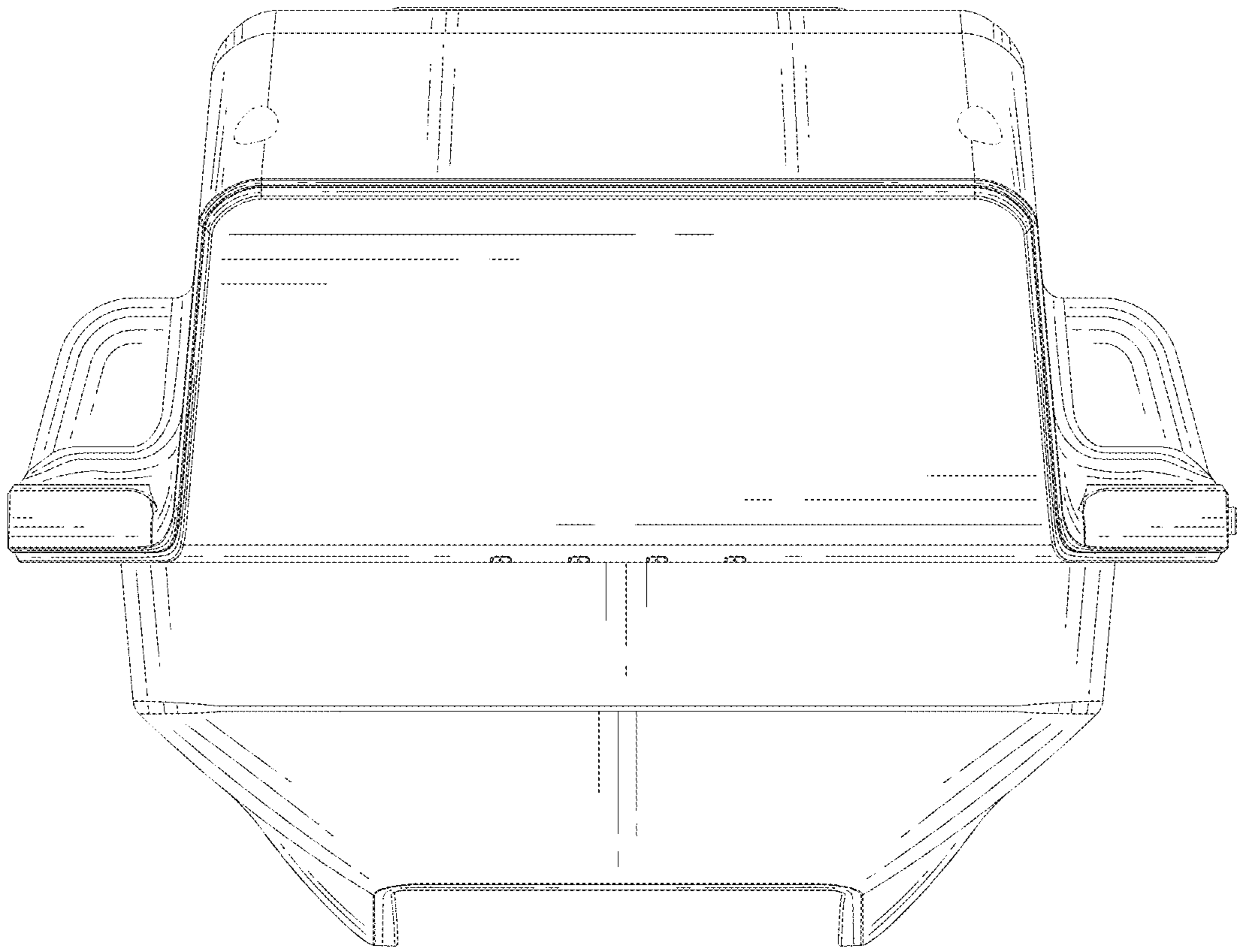


FIG. 7

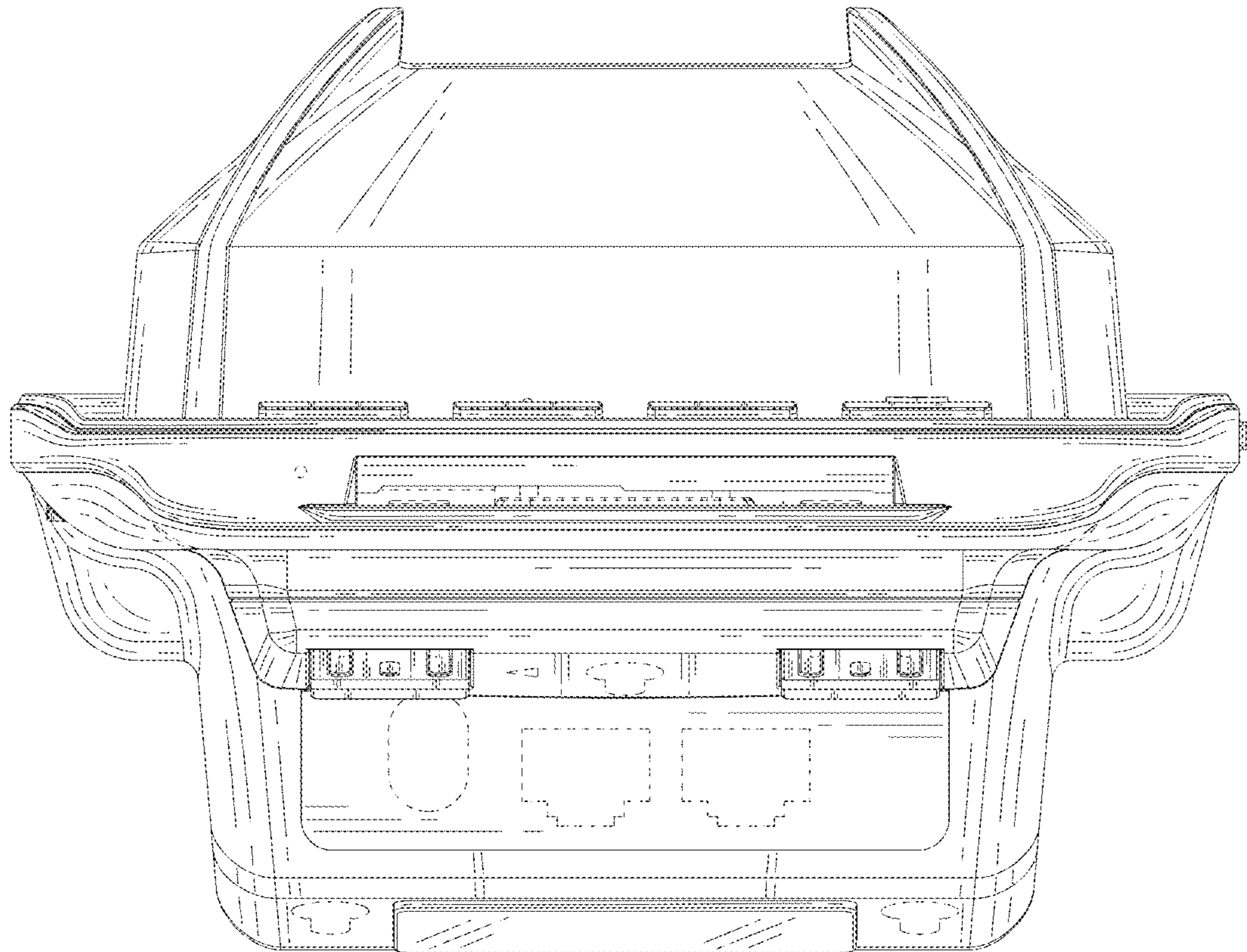


FIG. 8