



US00D940784S

(12) **United States Design Patent**  
**Wang**

(10) **Patent No.:** **US D940,784 S**

(45) **Date of Patent:** **\*\* Jan. 11, 2022**

(54) **FOLDING GLASSES**

(71) Applicant: **Boning Wang**, Zhejiang Province (CN)

(72) Inventor: **Boning Wang**, Zhejiang Province (CN)

(\*\*) Term: **15 Years**

(21) Appl. No.: **29/759,173**

(22) Filed: **Nov. 20, 2020**

(30) **Foreign Application Priority Data**

Jun. 1, 2020 (CN) ..... 202030266288.3

(51) **LOC (13) Cl.** ..... **16-06**

(52) **U.S. Cl.**  
USPC ..... **D16/300**

(58) **Field of Classification Search**  
USPC ..... D16/300, 301, 303, 304, 306, 309, 314,  
D16/323-326  
CPC ..... G02C 5/008; G02C 3/003; G02C 5/146;  
G02C 9/00; G02C 11/04; G02C 11/00;  
G02C 1/06; G02C 1/10; G02C 5/006  
See application file for complete search history.

(56) **References Cited**

**U.S. PATENT DOCUMENTS**

D322,262 S 12/1991 Manus  
D404,053 S \* 1/1999 Hsieh ..... D16/315  
6,017,119 A \* 1/2000 Huang ..... G02C 5/006  
351/63  
D693,398 S \* 11/2013 Rubin ..... D16/303  
D713,444 S 9/2014 Penglee et al.  
9,010,927 B2 \* 4/2015 Rubin ..... G02C 5/08  
351/63  
D754,243 S 4/2016 Lundh  
D814,551 S 4/2018 Barrina  
D827,700 S 9/2018 Ganovsky et al.

D858,621 S 9/2019 Ganovsky et al.  
2009/0190088 A1 \* 7/2009 Strobel ..... G02C 5/006  
351/63  
2011/0228210 A1 \* 9/2011 Willett ..... G02C 5/08  
351/63

**OTHER PUBLICATIONS**

Folding Readers, posted at amazon.com, posting date Jul. 22, 2019, [online], [site visited Nov. 3, 2021], Available from Internet, URL: <https://www.amazon.com/Reading-Glasses-Fashion-Folding-Readers/dp/B07VJJHYRS/> (Year: 2019).\*

Lee Foldable Reading Glasses, posted at amazon.com, posting date Apr. 4, 2017, [online], [site visited Nov. 3, 2021], Available from Internet, URL: <https://www.amazon.com/NeckGlasses-Folding-Reading-Glasses-Neckband/dp/B07DFT1T26/> (Year: 2017).\*

\* cited by examiner

*Primary Examiner* — Michael C Stout

*Assistant Examiner* — Maria J. Edwards

(74) *Attorney, Agent, or Firm* — Karin L. Williams; Alan D. Kamrath; Mayer & Williams PC

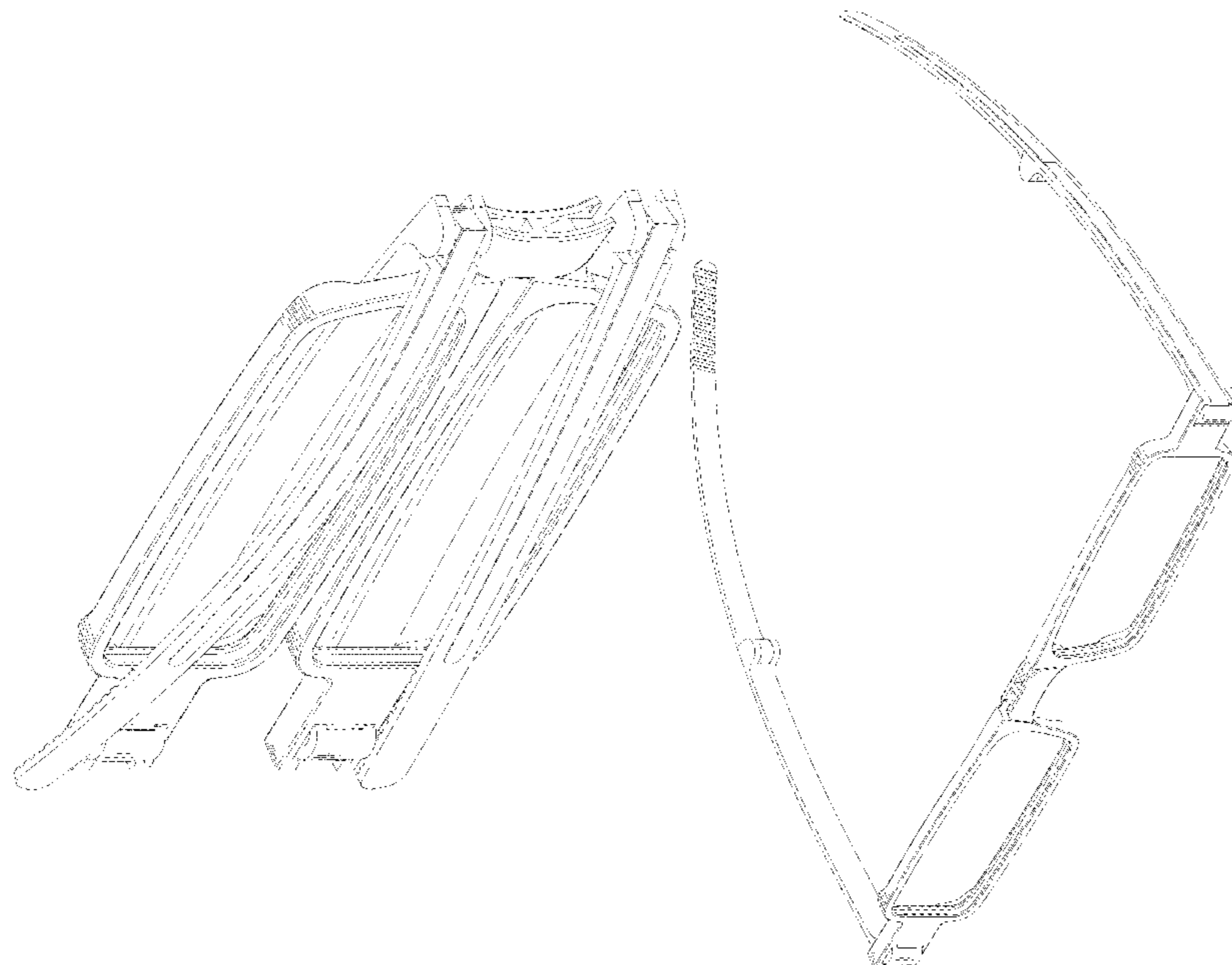
(57) **CLAIM**

The ornamental design for a pair of folding glasses, as shown and described.

**DESCRIPTION**

FIG. 1 is a perspective view of a pair of folding glasses showing my new design;  
FIG. 2 is a front elevational view thereof;  
FIG. 3 is a top plan view thereof;  
FIG. 4 is a left side elevational view thereof;  
FIG. 5 is a rear elevational view thereof;  
FIG. 6 is a right side view thereof;  
FIG. 7 is a bottom plan view thereof; and,  
FIG. 8 is a perspective view thereof, shown in another configuration.

**1 Claim, 8 Drawing Sheets**



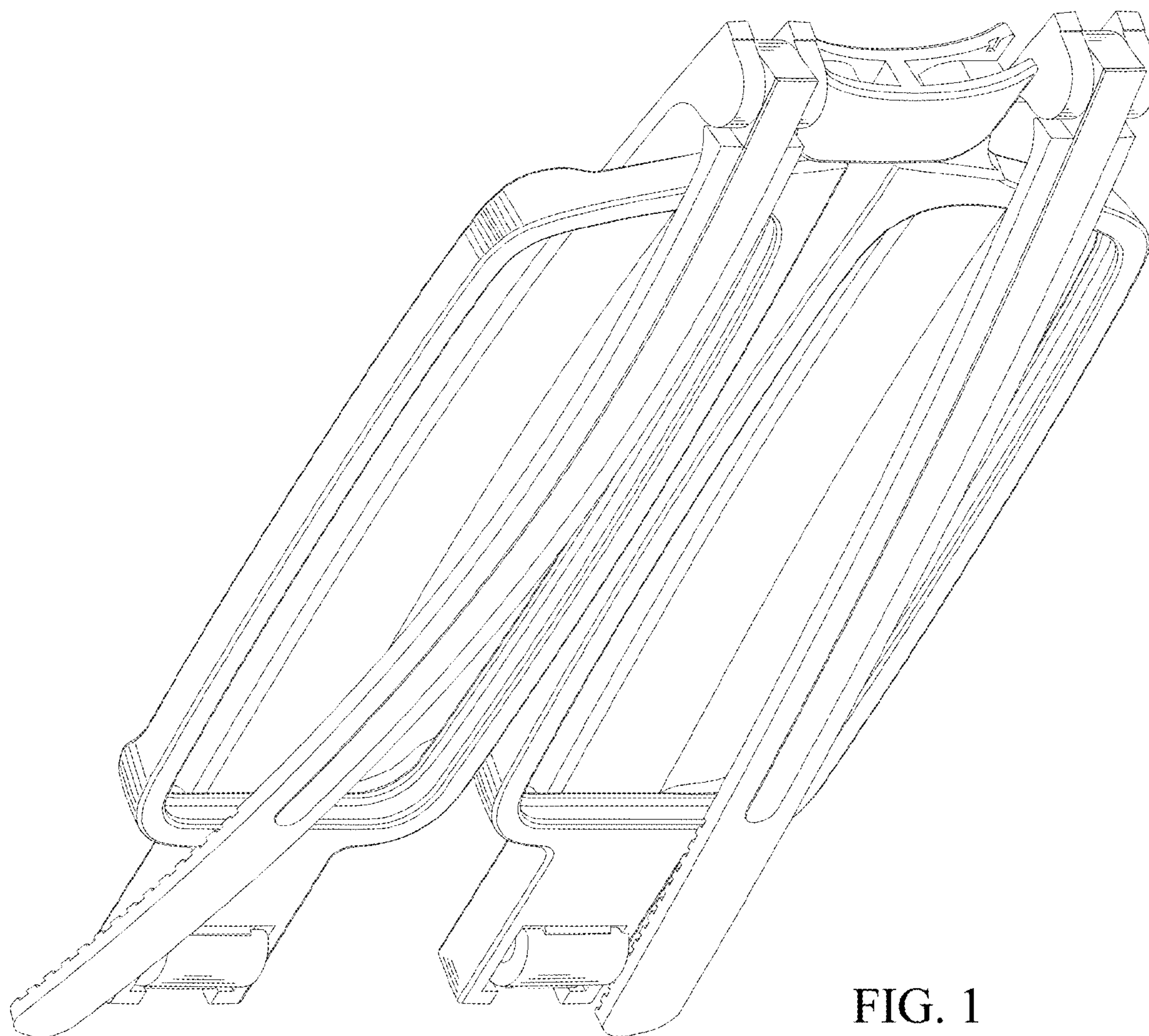


FIG. 1

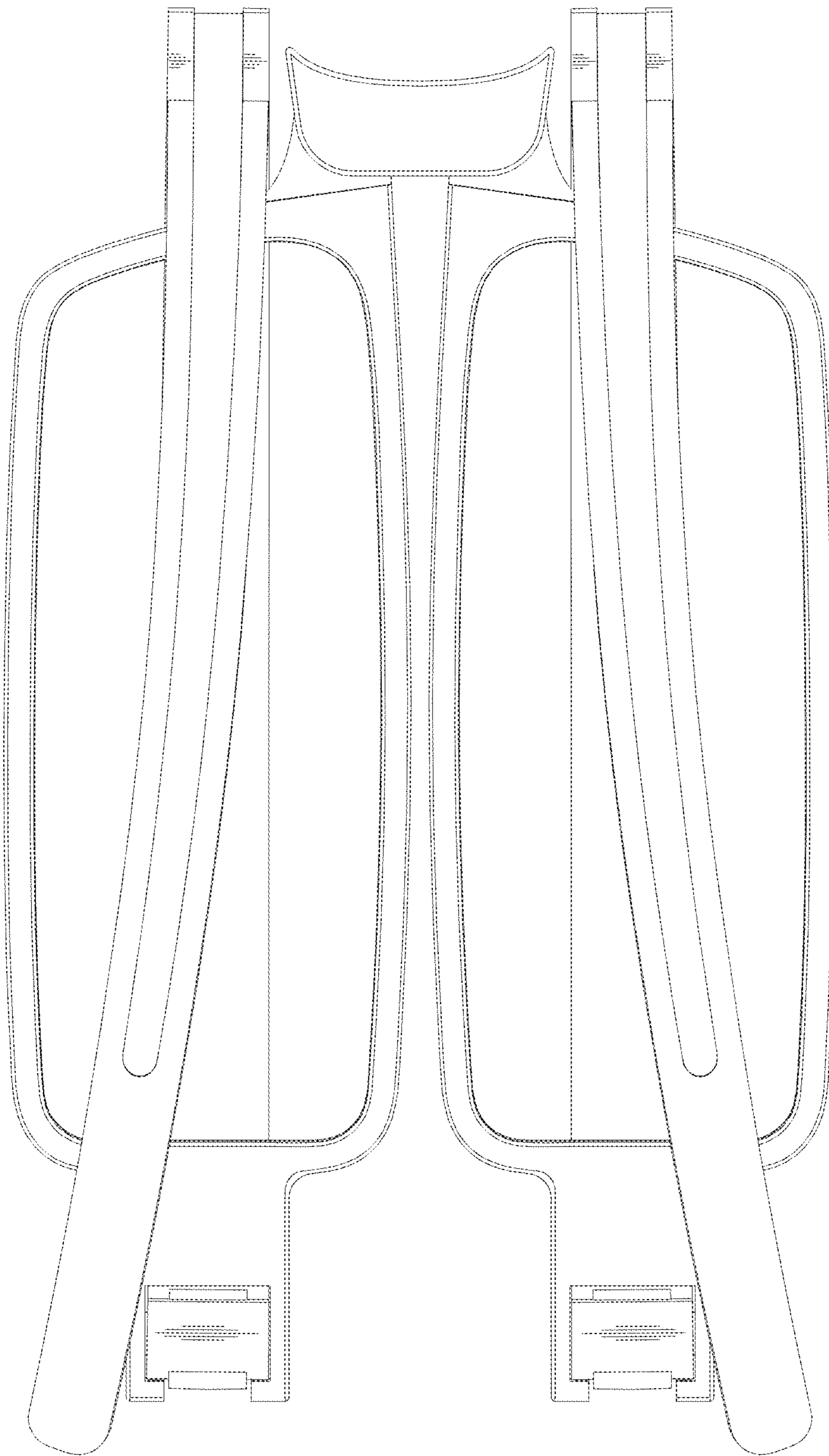


FIG. 2

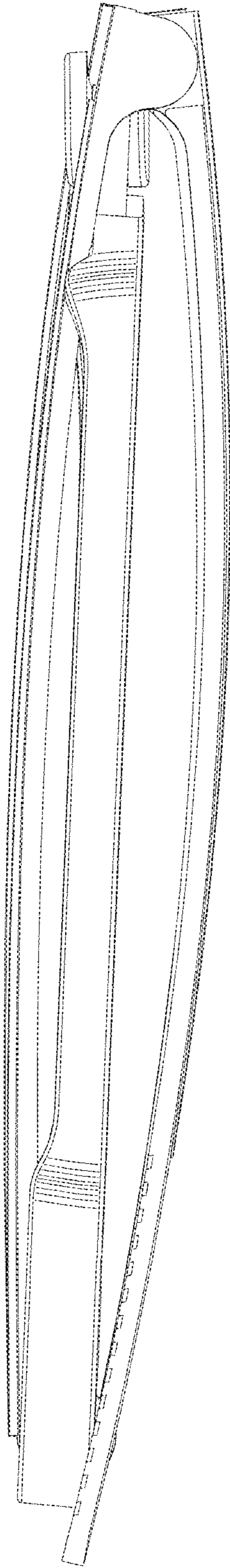


FIG. 3

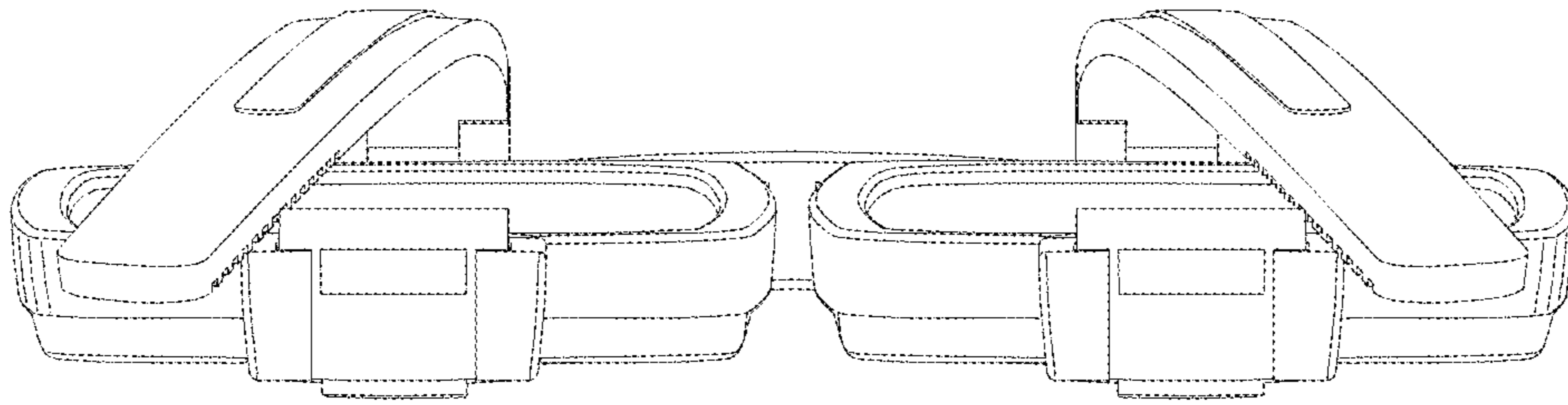


FIG. 4

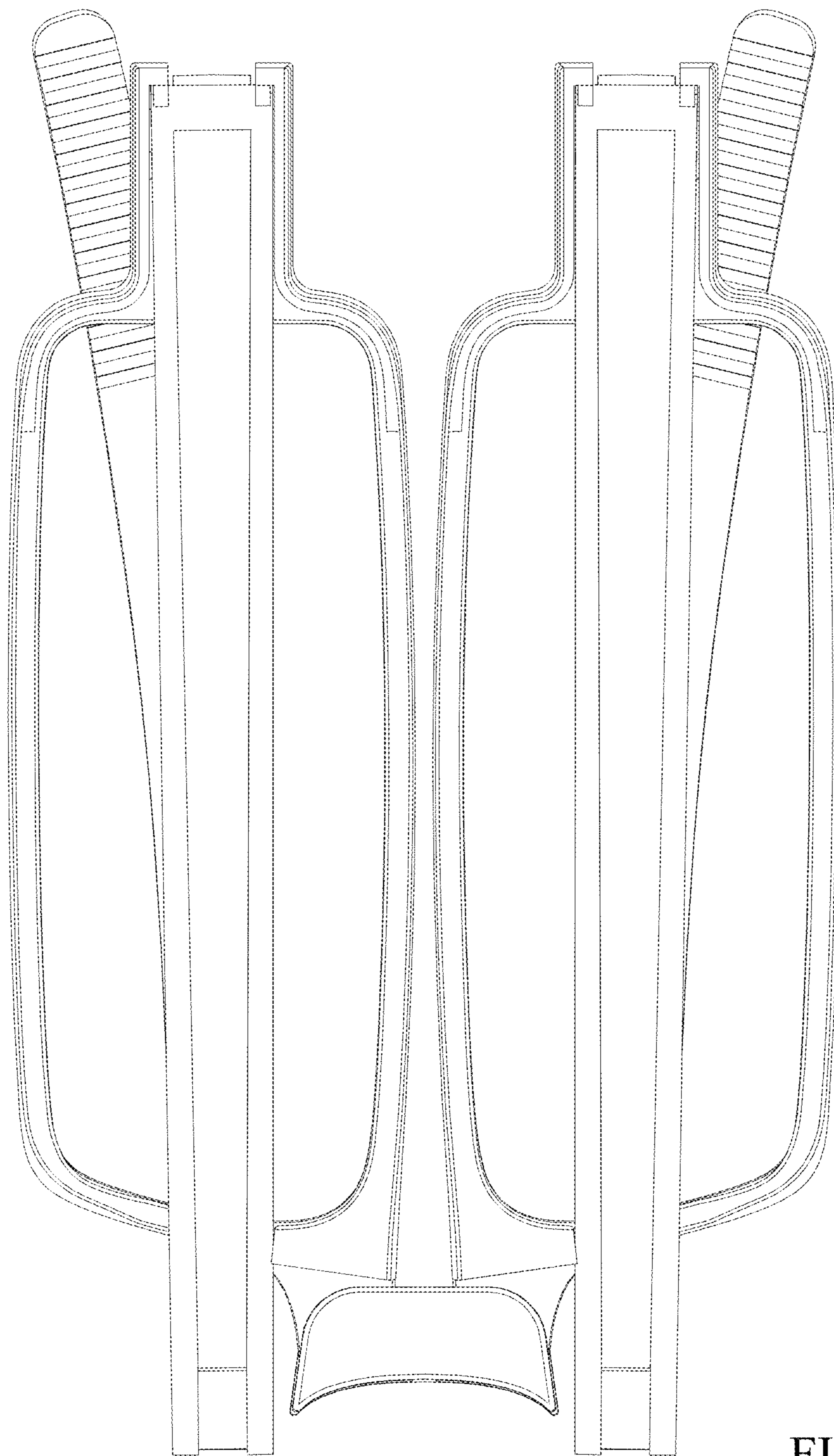


FIG. 5

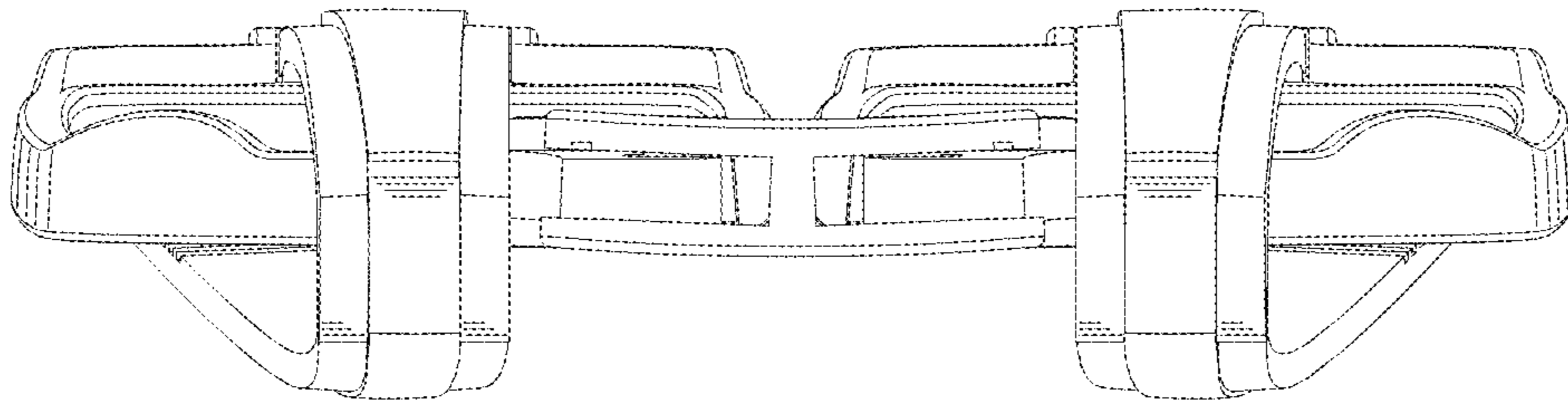


FIG. 6

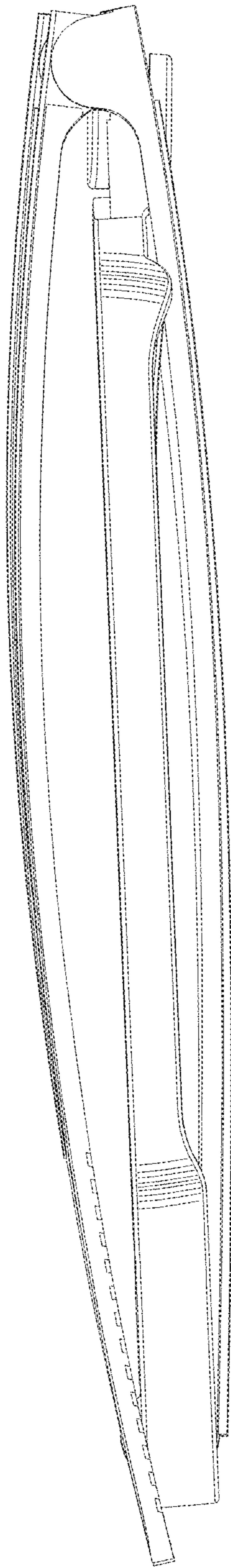


FIG. 7



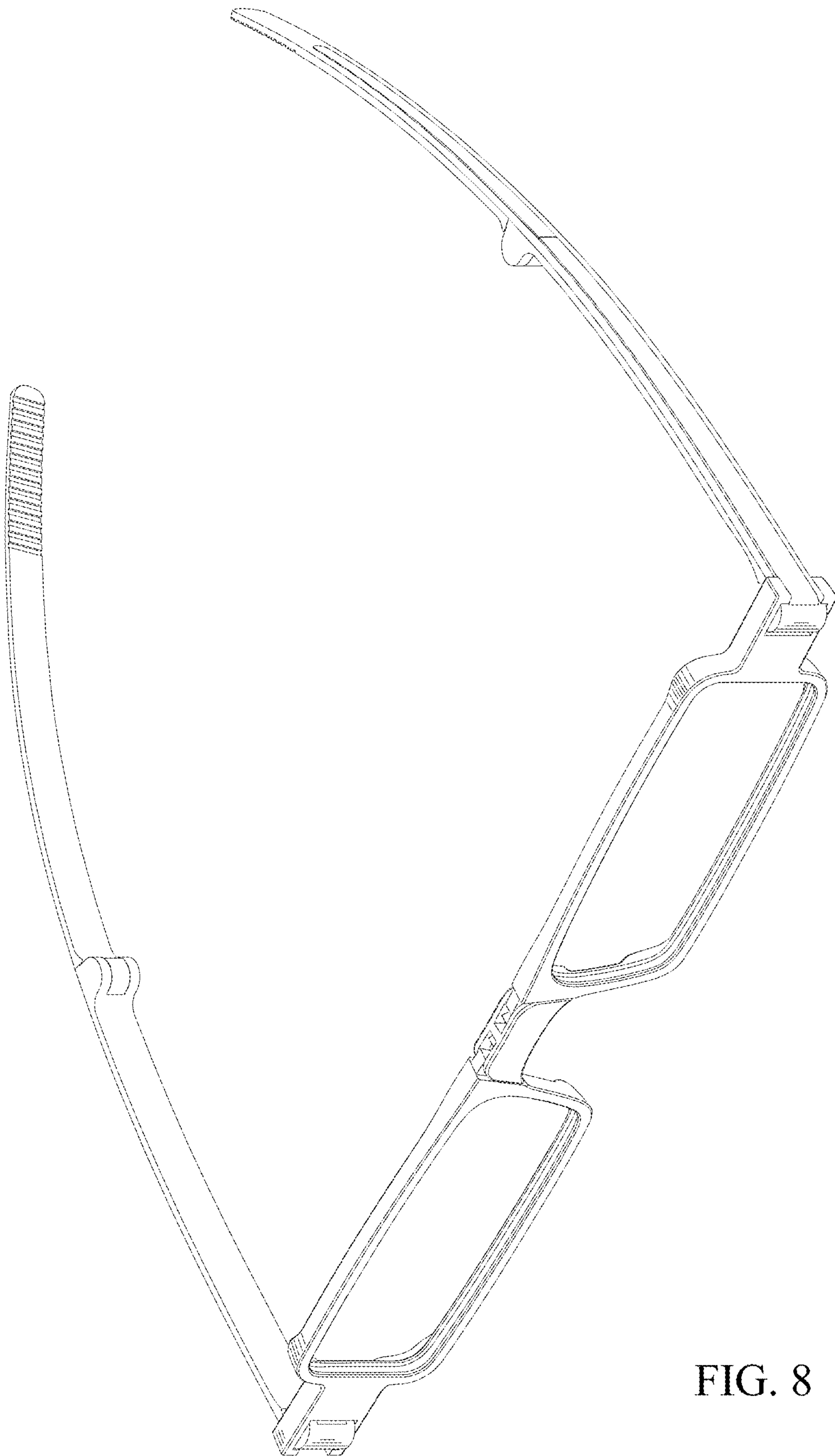


FIG. 8